

UNITED STATES DEPARTMENT OF COMMERCE  
Peter G. Peterson, Secretary  
NATIONAL BUREAU OF STANDARDS ● Lewis M. Branscomb, Director



## TECHNICAL NOTE 618

ISSUED MAY 1972

Nat. Bur. Stand. (U.S.), Tech. Note 618, 41 pages (May 1972)  
CODEN: NBTNA

### **WR15 Microwave Calorimeter and Bolometer Unit**

Morris E. Harvey

Electromagnetics Division  
National Bureau of Standards  
Boulder, Colorado



NBS Technical Notes are designed to supplement the Bureau's regular publications program. They provide a means for making available scientific data that are of transient or limited interest. Technical Notes may be listed or referred to in the open literature.

---

For sale by the Superintendent of Documents, U.S. Government Printing Office, Washington, D.C. 20402  
(Order by SD Catalog No. C13.46:618), Price 75 cents

TABLE OF CONTENTS

	PAGE
LIST OF TABLES.....	v
LIST OF FIGURES.....	vii
ABSTRACT.....	1
1. INTRODUCTION.....	1
1.1 Change in Electroformed Isolation Section.....	2
1.2 Changes in Bolometer Units.....	3
2. CONSTRUCTION.....	4
2.1 Directions for Assembly of the Calorimeter Lead-in.....	4
2.2 Directions for Assembly of the Calorimeter....	4
2.3 Directions for Assembly of Bolometer Unit.....	6
3. CALORIMETER OPERATION.....	7
3.1 Measurement Sequence.....	7
4. ERROR ANALYSIS.....	9
4.1 Nonproportionality of Thermopile Voltage.....	10
4.2 Bolometer Unit Walls.....	10
4.3 Calorimeter Flange.....	11
4.4 Thermal Isolation Section.....	12
4.5 Microvolt Potentiometer.....	12
4.6 Environment Stability.....	13
4.7 Lead Thermal Isolation.....	13
4.8 Error Due to the Bridge and Voltmeter.....	13
4.9 The Bolometer Units.....	14

TABLE OF CONTENTS (continued)

4.10 Imprecision.....	15
4.11 Summary.....	15
5. REFERENCES.....	17

LIST OF TABLES

	PAGE
1. Commercial Products for Calorimeter.....	18
2. Commercial Products for Bolometer Units.....	20
3. Components of Lead-in Seals.....	21
4. Components to Supply Microwave Power to WR15 Calorimeter.....	22
5. Connections to Microwave Components.....	23
6. Accessory Equipment.....	24
7. Systematic Errors and Limits of Systematic Uncertainty.....	25

LIST OF FIGURES

PA

1.	WR15 Calorimeter.....	
2.	Calorimeter Assembly and Mandrel.....	
3.	Calorimeter Cover Part and Lead-in Parts.....	
4.	Calorimeter Base Parts.....	
5.	Bolometer Unit Parts Leads.....	
6.	Lead-in Seals.....	
7.	Components to Supply Microwave Power.....	
8.	Accessory Equipment.....	

WR15  
MICROWAVE CALORIMETER  
AND  
BOLOMETER UNIT

by

Morris E. Harvey  
Electromagnetics Division  
National Bureau of Standards  
Boulder, Colorado

ABSTRACT

A microwave calorimeter which serves as the National Bureau of Standards (NBS) standard for power measurements in the frequency range 50 to 75 GHz has been completed and evaluated recently. Included here are descriptions of the principal changes in the calorimeter and bolometer unit from the WR28 models which are of similar design. Also included are construction details, accessory equipment, operation procedure, and error analysis. An improved thermal isolating waveguide section and calorimeter flange are features of this calorimeter.

A careful error analysis permits the determination of the effective efficiency of a standard bolometer unit to estimated limits of systematic uncertainty of  $\pm 0.23\%$ . The estimated  $3\sigma$  limit of random uncertainty is  $0.05\%$ .

Key words: Calorimeter; microwave; power; standard.

1. INTRODUCTION

The National Bureau of Standards (NBS) standards for microwave power consist of a series of calorimeters and

standard bolometer units which evolved from a design by Macpherson and Kerns [1]<sup>1</sup>. Refinements and modifications to the original design have been made by Engen [2]. The calorimeters are used to determine the effective efficiencies of bolometer units which are used as transfer standards. This paper describes the latest of the NBS calorimeters and bolometer units (fig. 1) which are designed for use in the frequency band 50 to 75 GHz (WR15).

Presented here is a description of the principal changes from earlier WR28 designs of the standard bolometer units and the calorimeters [3]; directions for construction, operating procedures, and an error analysis. The error analysis includes a correction for systematic errors, and an estimate of the total limits of uncertainty in the effective efficiencies of the standard bolometer units.

### 1.1. Changes in Electroformed Isolation Section

The principal difference of the WR15 calorimeter from the WR28 calorimeter is in the construction of the thin-walled waveguide thermal isolation section. This section of waveguide had previously been folded from one thousandth-inch thick copper but now is electroformed. It proved difficult to terminate the thin-walled section to provide a flange surface having the same loss as the flange of a precision

---

<sup>1</sup>Figures in brackets indicate literature references.

section of waveguide. (Ideally the flange loss should be the same when the mount is calibrated in the calorimeter and when the mount is being used.) The electroformed section has several advantages--ease of making a flange surface similar to that of a precision section of waveguide; also the isolation section and flange microwave loss may be evaluated by a sliding short method [4]. The sliding short method provides better accuracy than the previously used fixed short method for evaluation of loss in the isolation section and flange.

#### 1.2. Changes in Bolometer Units

There are two principal differences between the new WR15 bolometer units and the earlier WR28 units. The WR15 commercial block, which contains the thermistor matching structure and microwave bypass for the dc lead, proved to have an inadequate microwave bypass and required more lossy material around the dc lead in the unit than had been previously used. The other difference is that thermal barriers across the waveguide were not used in the WR15 units. Thermal barriers have been used in the units to keep thermal energy from the thermistor from leaving the unit. The justification for omitting the thermal barriers is given in the error analysis.



## 2. CONSTRUCTION

Details of the fabrication of calorimeter and bolometer unit parts are shown in figures 2, 3, 4, and 5, and a list of commercial products used is given in tables 1 and 2.

### 2.1. Directions for Assembly of the Calorimeter Lead-in

To start the assembly of the calorimeter lead-in, solder the seal flange to the short end of the J shaped waveguide, and face off the flange. Drill screw clearance holes and alignment holes using a drill jig. Put the conduit fittings in place and flare the conduit ends, (fig. 6). Pass the waveguide and the conduits through the holes in the two conduit spaces and the binding post block and solder on the underside. Solder the calorimeter unit flange; face it off and drill screw holes and alignment holes and tap the screw holes. Install the binding posts. Next pull the thermistor lead and the thermopile lead through the conduit. Attach the thermistor lead to the ungrounded binding post. Install the O rings, waveguide, and conduit seals. The seals are shown in figure 6, and the components are listed in table 3.

### 2.2. Directions for Assembly of the Calorimeter

Start the assembly of the calorimeter base by removing 1.5 inches (3.8 cm) of the aluminum mandrel from the base

flange end of the electroformed waveguide using hot concentrated sodium hydroxide solution. Next, tin, then solder together the electroformed waveguide, calorimeter flange, base flange, and base using 60-40 tin lead solder. The solder must be kept off the thin section of the electroformed waveguide and the surfaces that fit against the spacers. Clean up any flux in this area. Position the spacers. The space between the electroformed waveguide and spacers must be totally filled with low viscosity epoxy resin. Epoxy resin is also used to bind the spacers to the base, calorimeter flange, and reference flange, and the stainless steel inserts in the calorimeter flange. After the epoxy resin has cured, remove the remainder of the mandrel using sodium hydroxide solution. Protect the spacer. Face off the base flange and drill screw and alignment holes using a drill jig. Drill the alignment holes in the calorimeter flange and grind it flat. Put in the trim wires and close the holes in reference ring and base using a pointed punch. Insert the thermopile insulation into the reference flange and calorimeter flange. Wind the thermopile form with 47 evenly spaced turns of constantan wire and secure the ends by looping the wire through the holes in the form. Mask the wires on the top of the form to prevent plating, and copper plate the exposed wire for 30 minutes using a current of 100 milliamperes. Remove the masking material and solder the jacks in place. Press the thermopile

into place. Assemble the conduit to the base and add the legs and O-ring. Add the reference ring and connect the thermopile leads. Screw the hanger, calorimeter spacer, stud and cover together. The cover screws are used not only to hold the cover in place but also to remove it.

### 2.3. Directions for Assembly of the Bolometer Unit

Place the sleeve over the post on the commercial block and solder the dc lead to the post. Solder together the block flange, waveguide section, and unit flange. Face off both flanges, and drill screw and alignment holes, tap the screw holes, in the unit flange. Grind the unit flange flat. Assemble the unit binding post in the block flange. Secure the block to the block flange with screws. Lay the block dc lead in the groove in the block flange. Cut the dc lead to length and solder to the unit binding post. Cover the exposed joint with electrical grade room temperature cure silicon rubber. Fill the groove in the block flange with a mixture of powdered iron and low viscosity epoxy resin. Epoxy resin is also used to hold the cover plates in place. Conducting epoxy resin is used to calk the grooves in the block flange. The block and block flange are covered with aluminized polyester pressure-sensitive tape.

### 3. CALORIMETER OPERATION

The operation of the calorimeter requires a number of items of equipment. Figure 7 shows the waveguide components used to supply microwave power. The components are listed in table 4 and connections to the components are listed in table 5. The accessory equipment is shown in figure 8 and listed in table 6.

#### 3.1. Measurement Sequence

The sequence followed in determining the effective efficiency of a bolometer unit is as follows:

- (1) Install the unit in the calorimeter, and seal the calorimeter.
- (2) Place the calorimeter in the water bath.
- (3) Connect the appropriate calorimeter leads to the bolometer bridge, the microvolt potentiometer, and microwave WR15 waveguide line.

(4) Time is then allowed for the calorimeter to come to practical equilibrium with the water bath.

Practical equilibrium occurs about one and one half hours after the calorimeter is placed in the bath.

The need for practical equilibration after the calorimeter is placed in the water bath results from the lack of exact equality of the bolometer unit and thermal reference time constants, and from a difference in temperature between the calorimeter and water bath.

(5) The bolometer bridge is then turned on. If the practical equilibration time is known, the bolometer bridge may be switched on immediately after the calorimeter is placed in the bath, rather than waiting for the thermopile output to reach a low value (i.e. 0.002  $\mu$ V). The klystron is turned on and locked on frequency. The microwave switch must be open to keep power from the calorimeter.

(6) An interval of about 40 minutes is required for thermal equilibrium between the unit and thermal reference after a change in the power level to the unit.

(7) After equilibration, the thermopile voltage and the voltage across the self-balancing bridge are noted.

(8) The microwave power is switched into the calorimeter, and its level adjusted to give a nominal  $V_2/V_1$  ratio of 0.5. The microwave power stabilizer used has a stability of 10 ppm per hour.

(9) The thermopile voltage increases, with about 40 minutes required to re-establish thermal equilibrium.

(10) The voltage data are taken.

(11) The microwave power is switched off.

(12) The thermopile voltage decreases, with about 40 minutes required for equilibration.

(13) The voltage data are taken.

(14) The data are reduced. Usually there is a small drift (0.06%/Hr.) of the total bias power requirements of the bolometer due to long term drift in the bolometer, therefore the dc data are averaged. This drift does not represent a change in  $\eta_e$ , but only instability in the bolometer element itself.

(15) The calorimeter is taken from the water bath, dried off, the cover opened, and the unit removed.

#### 4. ERROR ANALYSIS

The error analysis presented is similar to that in [3]; except that the flange loss and isolation section microwave loss measurements were made by the moving short method [4] rather than the fixed short method [3].

The equation used to calculate the effective efficiency ( $\eta_e$ ) of the bolometer unit is

$$\eta_e = \frac{1 - (V_2/V_1)^2}{e_2[1 + b]/e_1 - (V_2/V_1)^2} \quad (1)$$

where  $V$  is the voltage across the self-balancing bolometer bridge [5] and  $e$  is the thermopile voltage. The subscripts 1 and 2 denote respectively conditions of dc only, and dc plus microwave power, absorbed in the thermistor. The term  $(1 + b)$  is the correction for systematic errors in  $e_2$ , the

thermopile voltage. The systematic errors and limits of systematic uncertainty affecting  $e_2$  are listed in table 7.

It is necessary to convert from the values of systematic errors--power absorbed in unit walls, calorimeter flange, thermal isolation section, and by microwave leakage--which are in percentage of microwave power to percentage of  $e_2$ . The converting multiplier used is 0.765, which is the ratio of microwave power absorbed in the unit to the total power absorbed in the unit,  $[0.75 + 0.75(1 - 0.926)]/[0.75 + 0.25 + 0.75(1 - 0.926)]$ , where 0.75 is the microwave power in the thermistor, 0.25 is the dc power in the thermistor, and 0.926 is the effective efficiency. This conversion is necessary because the value of  $e_2$  is a function of total power absorbed in the unit rather than a function of microwave power alone.

#### 4.1. Nonproportionality of the Thermopile Voltage

This is a small error and it is assumed that it will be similar to the values reported in reference [3], which lists a systematic error of + 0.00012 and limits of systematic uncertainty of  $\pm 0.01\%$  of  $e_2$  for the WR28 calorimeter.

#### 4.2. Bolometer Unit Walls

The microwave power absorbed in the waveguide between the unit flange and the thermistor will have a greater effect on the value of  $e_2$  than power absorbed in the thermistor.

The greatest effect is near the flange. This is due to the thermal resistance of the mount walls and the distributed radiative and convective thermal leakage from the unit. The thermopile sensitivity to dc power dissipated in a small temporary test heater located at the flange was determined to be greater than the thermopile sensitivity for dc power absorbed in the thermistor by 1.7% of the latter. The loss in the mount waveguide may be considered as being half way between the flange and thermistor, and the microwave power absorbed in the mount waveguide would thus have 0.85% too great an effect on the thermopile voltage. The loss in the waveguide is 1.5% of the microwave power absorbed in the mount and thermistor. Therefore, the contribution to  $b$  is  $- 0.0001$ ,  $(0.015 \times 0.0085 \times 0.765)$  of  $e_2$  with limits of systematic uncertainty of  $\pm 0.01\%$  of  $e_2$ .

#### 4.3. Calorimeter Flange

A portion of the microwave power is absorbed in the waveguide joint consisting of the unit flange and mating calorimeter flange. If the joint loss is the same whether the unit is being calibrated or being used, the joint loss may be considered a part of the effective efficiency and not a systematic error. The measurements made to date do not indicate a significant difference between the calibration and use joint losses. The combined uncertainty for the two



joint loss measurements is  $\pm 0.1\%$  of the incident power or  $\pm 0.076\%$  of  $e_2$ .

#### 4.4. Thermal Isolation Section

A portion of the microwave power is absorbed in the waveguide lead to the bolometer unit. Only the loss from the center of the thermal isolating waveguide section to the calorimeter flange raises the value of  $e_2$  and constitutes a systematic error [6]. The loss in this section was determined by a moving short method [4]. The loss for this 0.25 inch (0.635 cm) long section is 0.4% of the incident microwave power or 0.306% of  $e_2$ . The uncertainty in the length of the section is  $\pm 0.005$  inch ( $\pm 0.013$  cm) and the uncertainty in the value of the loss measurement is  $\pm 0.11\%$  of the incident power. The sum of these uncertainties is  $\pm 0.12\%$  of the incident power or  $\pm 0.092\%$  of  $e_2$ .

#### 4.5. Microvolt Potentiometer

The limits of systematic uncertainty for the ratio  $e_2/e_1$  were calculated from calibration data for the microvolt potentiometer, which is used to null and display the  $e$  values. This limit is  $\pm 0.0055\%$  of  $e_2$ .

#### 4.6. Environment Stability

The nonidentical twin geometry and lack of inner shell increases the demands on the temperature stability of the calorimeter environment. This increased thermal stability is well within the capability of the precision temperature-controlled water bath [7], [8] which has a stability during the measurement of  $\pm 10\mu\text{K}$ . Based on the calorimeter thermopile output after changing the bath temperature by  $1000\mu\text{K}$ , the change in the thermopile output due to a change of  $\pm 10\mu\text{K}$  would be  $\pm 0.0004\%$  of a typical  $e_1$  value, which is negligible.

#### 4.7. Lead Thermal Isolation

Although the calorimeter is immersed in a temperature-controlled water bath, its leads extend into the room air. So changes in room temperature can effect the calorimeter through its leads. Measurements made on the WR28 calorimeter showed that the effect is small. A  $\pm 1.5\text{K}$  change in room temperature would produce a calculated change of  $\pm 0.00025\%$  in  $e_2$ .

#### 4.8. Error Due to the Bridge and Voltmeter

Analysis of the bridge errors as applied to the calorimeter measurement of  $\eta_e$  shows the errors to be one part per million or smaller and they are neglected.

The principal error in the determination of the dc power in the thermistor is due to errors in the voltmeter used to measure the voltage across the bridge. The worst case error in the ratio  $V_2/V_1$  is 0.0066% of the ratio. To determine the resulting error in  $\eta_e$ , the partial derivative of  $\eta_e$  (equation 1) with respect to  $V_2/V_1$  was taken. Substitution of typical values yielded an uncertainty in  $\eta_e$  of  $\pm 0.0004\%$  which is negligible.

#### 4.9. The Bolometer Units

Any microwave power that leaks from the unit would constitute a systematic error because this leakage power would not be accounted for either in the effective efficiency or the reflected power from the unit. The commercial thermistor block which was used in assembling the bolometer unit had appreciable leakage around the dc lead. Consequently lossy material was placed in the unit around the dc lead to reduce the leakage. A measurement showed the leakage to be 0.01% of the incident power or 0.0076% of  $e_2$ , with uncertainty limits of  $\pm 0.0076\%$  of  $e_2$ .

Typically, there is some convected and radiated thermal energy transmitted out through the waveguide from the thermistor bead. This thermal energy is not measured by the thermopile, and if its magnitude changed with the addition of microwave energy the change would cause a systematic error. The dc

resistance of the thermistor is maintained constant by the self-balancing bolometer bridge. But theoretically, the presence of microwave power can cause some change in the surface temperature distribution of the bead. In previously constructed NBS bolometer units the thermal leakage was confined inside the mount by thermal barriers placed across the waveguide. This eliminated the potential error.

Recent experimental evidence indicates that the change in thermal radiation from a thermistor when microwave power replaces 75% of the dc power in the thermistor is less than 1% of the power in the thermistor. The thermal power leaving the unit through the WR15 waveguide is 0.1% of the thermistor power; which would indicate a possible uncertainty of 0.001%, ( $0.1 \times 0.01$ ) which is negligible, and indicates that thermal barriers are not necessary.

#### 4.10. Imprecision

An estimate of the imprecision in the effective efficiency measurement was made for the WR28 calorimeter [3], and is assumed to be similar for the WR15 calorimeter. The estimated  $3\sigma$  limits for  $\eta_e$  are  $\pm 0.05\%$  of the effective efficiency.

#### 4.11. Summary

The estimated  $3\sigma$  limits of the imprecision (random error) in the measurement of the effective efficiency are  $\pm 0.05\%$  of  $\eta_e$ .

The systematic errors and their uncertainties are listed and totaled in table 7. The total estimated system error is -0.00296 and the correction  $(1 + b)$  to  $e_2$  is 0.99

The estimated limits of uncertainty in the above systematic error are  $\pm 0.203\%$  of  $e_2$ . To obtain the corresponding estimated limits of systematic uncertainty in the value of  $\eta_e$ , the partial derivative of  $\eta_e$  was taken with respect to  $(1 + b)$  and typical values substituted to obtain a multiplier of 1.106. The estimated limits to the systematic uncertainty in the value of  $\eta_e$  are therefore  $\pm 0.23\%$  of  $\eta_e$ . The total uncertainty (systematic + random) is  $\pm 0.28\%$  of  $\eta_e$ .

## 5. REFERENCES

- [1] Macpherson, A. C., and Kerns, D. M., A microwave micro-calorimeter, Rev. Sci. Instr., vol. 26, No. 1, 27-33 (January 1955).
- [2] Engen, G. F., A refined X-band microwave microcalorimeter, J. Res. NBS, (U.S.), 63C, No. 1, 77-82 (1959).
- [3] Harvey, M. E., Non-identical twin microwave calorimeter, J. Res. NBS, to be published.
- [4] Engen, G. F., An extension to the sliding short method of connector and adaptor evaluation, J. Res. NBS, Sect. C, Vol. 75C, 3-4, July-Dec., 1971.
- [5] Larsen, N. T., and Clague, F. R., The NBS type II power measurement system, ISA, 712 (1970).
- [6] Ginnings, D. C. and West, E. D., Heater lead problem in calorimetry, Rev. Sci. Instr., vol. 35, No. 8, 965-967 (August 1964).
- [7] Larsen, N. T., 50 microdegree temperature controller, Rev. Sci. Instr., vol. 39, No. 1, 1-12 (January 1968).
- [8] Harvey, M. E., Precision temperature-controlled water bath, Rev. Sci. Instr., vol. 39, No. 1, 13-18 (January 1968).

Table 1  
Commercial Products for Calorimeter

Quantity	Item
1	WR15 copper waveguide bent to J shape
1	Flange UG-385/U
2	Binding posts
1	No. 6 spaghetti tubing, 1/4 in. (0.64 cm) long
1	No. 6 Polyamide washer
2	No. 6 Brass washer
3	6-32 Brass nuts
1	Cable clamp, for 1/8 inch O.D. cable
1	No. 6 Solder lug
31 In.	14 gauge (AWG) stranded copper wire with polytetrafluoroethylene insulation
8 ft.	Polytetrafluoroethylene tubing, size 18,
17 ft.	30 gauge (AWG) insulated magnetic wire
2 oz.	Electrical grade room temperature cure silicone rubber
1	O ring 7/16" OD, 1/16" Dia. cross section, for sea flange
1	O ring 7/8" OD, 1/16" Dia. cross section, for seal flange
3	O ring 3/16" OD, 1/16" Dia. cross section, for lea seals
3	O ring 7/32" OD, 1/16" Dia. cross section, for lea seals
1	O ring 3/4" OD, 090" Dia. cross section, for stud
1	O ring 4 1/2" OD, 3/16" Dia. cross section, for ba
4	4-40 Sealing screws with O ring
1 lb.	Sodium hydroxide
1 lb.	Low viscosity (900 cps) epoxy, solvent free, room temperature cure

Table 1 (Continued)

Quantity	Item
6 ft.	30 gauge (AWG) constantan wire (bare)
2	Jack for 0.02 inch Dia. pin, 0.18 inch long. 0.05 inch Dia.
4	0-80 Round head screws, 1/2 inch long
4	2-56 Binding head screws, 1/4 inch long



Table 2  
Commercial Products for Bolometer Units

Quantity	Item
2	WR15, copper waveguide, one inch long
2	Commercial block Hitachi*, Model M2521 or equivalent
4	2-56, Flathead brass screw, 1/4 inch long
2	1-72, Round head brass screw, 1/8 inch long
2	24 gauge (AWG), Insulated magnet wire, 2 inch 5 (cm) long
1 oz.	Silver filled conducting epoxy
1 ft.	1 inch (2.5 cm) wide aluminized polyester pressure sensitive tape
1 oz.	Powdered iron
2	Size 18, Tetrafluoroethylene tubing, 0.13 inches (0.33 cm) long

\*At this writing this is the only known broad band commercial block available in WR15 waveguide size. In no case does this identification imply recommendation or endorsement by the National Bureau of Standards, nor does it imply that the component identified is necessarily the best available for the purpose.

Table 3  
Components of Lead-in Seals

---

No. on Figure 6	Component
1	Conduit spacer
2	Thermistor lead
3	Thermopile lead
4	Conduit seals
5	J shaped waveguide
6	Conduits
7	Conduit fittings
8	O rings
9	Waveguide seal
10	Seal flange

---

Table 4  
Components to Supply Microwave Power to  
WR15 Calorimeter

---

No. on Figure 7	Component
1	Klystron
2	Water Jacket
3	10 dB Directional Coupler
4	Wavemeter
5	Crystal Detector
6	Isolator
7	Variable Attenuator
8	Power Leveler
9	Switch
10	90° E plane bend
11	Load
12	Waveguide Stands

---

Table 5  
Connections to Microwave Components

---

A	Klystron Ground
B	To klystron power supply via Pound frequency stabilizer
C	To cooling water and drain
D	Crystal current to Pound stabilizer
E	Power leveler current from Type II power bridge
D	Microwave power to Calorimeter

Table 6  
Accessory Equipment

---

1. Klystron power supply
2. Pound Stabilizer
3. Photocell Galvanometer Amplifier
4. Secondary Galvanometer
5. AC Voltmeter
6. NBS Type II Power Measurement System
7. Digital Voltmeter
8. NBS precision temperature-controlled water bath
9. Microvolt potentiometer

Table 7  
Systematic Errors and Limits of Systematic Uncertainty

	Systematic Error b	Limits of Systematic Uncertainty % of $e_2$
Thermopile Nonproportionality	+ 0.00012	± 0.01%
Unit Walls	- 0.0001	± 0.01%
Calorimeter Flange		± 0.076%
Thermal Isolation Section	- 0.00306	± 0.092%
Microvolt Potentiometer		± 0.0055%
Environmental Stability		± 0.0004%
Lead Tempering		± 0.00025%
Microwave Leakage from Bolometer Unit	+ 0.000076	± 0.0076%
Change in Thermal Leakage from the Waveguide		± 0.001%
TOTALS	- 0.00296	± 0.203%

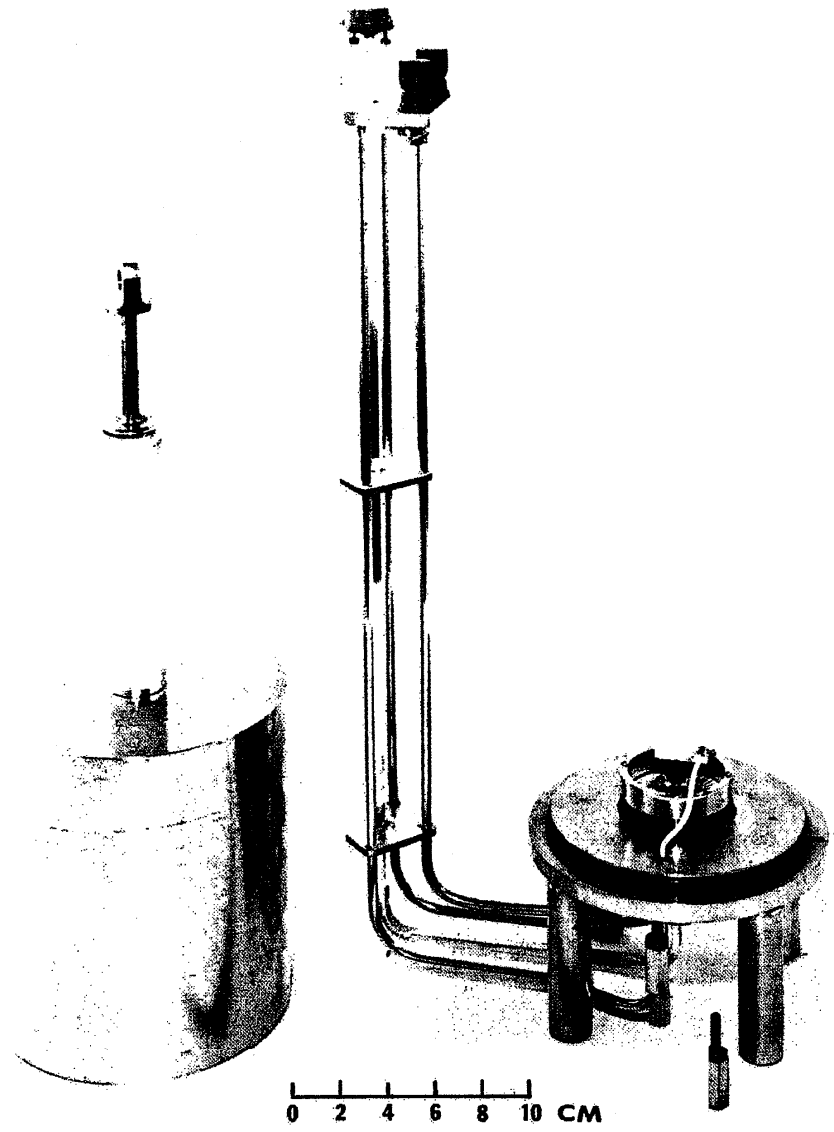
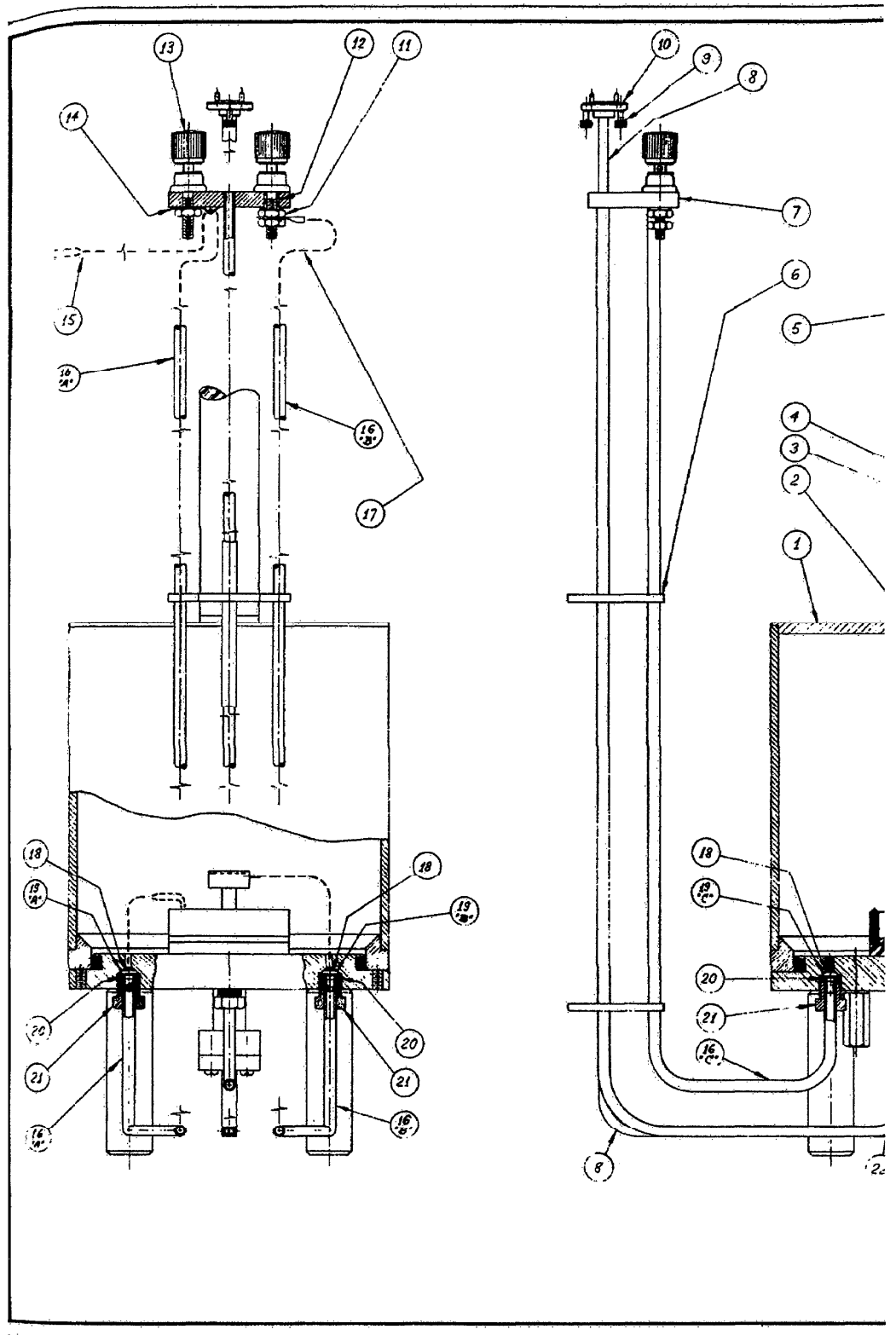
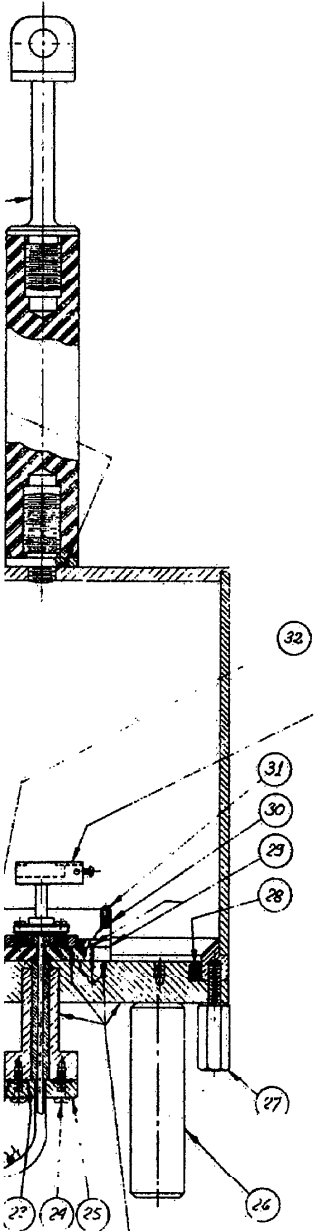
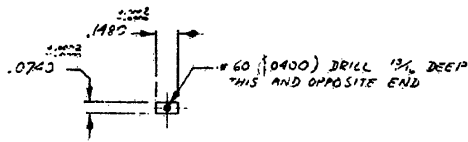


Figure 1. WR15 calorimeter.









MANDREL  
MATERIAL - ALUMINUM  
1 REQ'D  
SIZE - 2/1

REVISIONS			
NO.	D. R. N.	REASON	DATE
1			
2			
3			
4			

LIST OF PARTS

IN STOCK PARTS	
MANDREL	1
SUB-ASSEMBLY	1
SUB-ASSEMBLY	1
32 THERMOPILE FORM MATERIAL - TETRAFLUORETHYLENE	1
31 BRASS SCREW, #4-40 UNF ROUND HEAD, 1/2 LONG	4
30 REFERENCE RING MATERIAL - FREE CUTTING BRASS	1
29 REFERENCE FLANGE WITH WIRES MATERIAL - TELLURUM COPPER	1
28 O-RING, 1/4 O.D., 1/8 NOM. WIDTH	1
27 COVER SCREW MATERIAL - FREE CUTTING BRASS	3
26 LEG MATERIAL - FREE CUTTING BRASS	4
25 LEAD FLANGE MATERIAL - FREE CUTTING BRASS	1
24 BRASS SCREW, #4-40 UNF HEAD WITH ORANGE SEAL, 1/2 LONG	4
23 O-RING, 1/4 O.D., 1/8 NOM. WIDTH	1
22 O-RING, 1/4 O.D., 1/8 NOM. WIDTH	1
21 CONDUIT FITTING MATERIAL - FREE CUTTING BRASS	3
20 O-RING, 3/8 O.D., 1/8 NOM. WIDTH	3
19 CONDUIT SEAL MATERIAL - FREE CUTTING BRASS	1
18 LEAD SEAL, BOLOMETER DC LEAD MATERIAL - FREE CUTTING BRASS	1
17 LEAD SEAL, THERMOPILE LEAD MATERIAL - FREE CUTTING BRASS	1
16 O-RING, 1/4 O.D., 1/8 NOM. WIDTH	3
15 BOLOMETER DC LEAD MATERIAL - SEE DETAIL DIM.	1
14 CONDUIT MATERIAL - BRASS TUBE 1/4 O.D., 1/8 WALL	1
13 CONDUIT MATERIAL - BRASS TUBE 1/4 O.D., 1/8 WALL	1
12 CONDUIT MATERIAL - BRASS TUBE 1/4 O.D., 1/8 WALL	1
11 THERMOPILE LEAD MATERIAL - SEE DETAIL DIM.	1
10 CABLE CLAMP FOR 1/8 O.D. CABLE	1
9 COMPRESSIVE BINDING POST	2
8 DIELECTRIC BUSHING MATERIAL - POLYIMIDE	1
7 BRASS NUT #6 - 32 UNF	3
6 OR 15 UNIT FLANGE MATERIAL - FREE CUTTING BRASS	2
5 STAINLESS STEEL CAPTIVE SCREW #4-40 UNF (MIL. STD. P. 19.2)	4
4 WR 15 WAVE GUIDE MATERIAL - OFHC COPPER	1
3 BINDING POST BLOCK MATERIAL - FREE CUTTING BRASS	1
2 CONDUIT SPACER MATERIAL - FREE CUTTING BRASS	2
1 MANDREL MATERIAL - FREE CUTTING BRASS	1
4 CALORIMETER SPACER MATERIAL - POLYIMIDE	1
3 O-RING, 3/8 O.D., 1/8 NOM. WIDTH	1
2 STUD MATERIAL - FREE CUTTING BRASS	1
1 COVER MATERIAL - FREE CUTTING BRASS	1

NOMENCLATURE

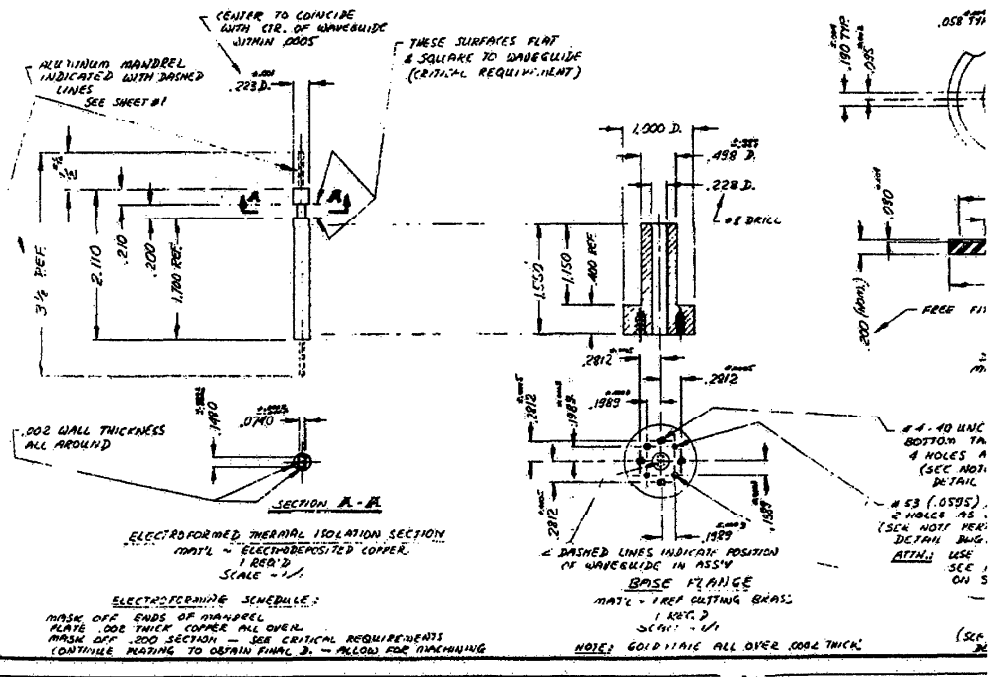
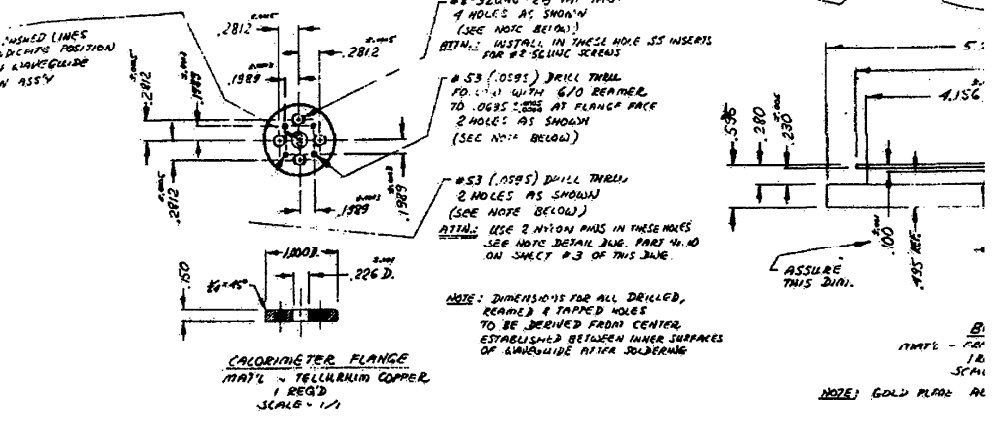
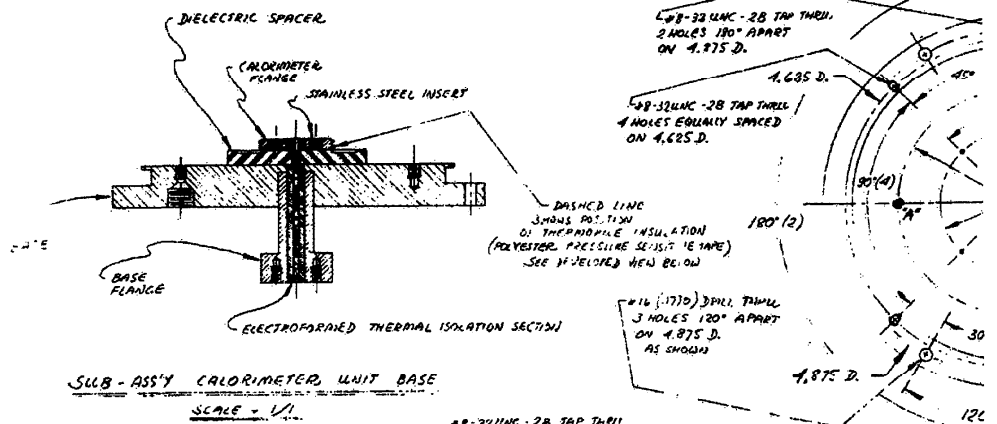
FIGURE 2  
CALORIMETER ASSEMBLY  
AND  
MANDREL.

DESIGNED BY (Name and title)	DESIGNED BY MOTOR ENGINEER	DESIGNED BY PROJECT ENGINEER
DATE	DATE	DATE
REVISIONS	REVISIONS	REVISIONS
NO.	NO.	NO.
DESCRIPTION	DESCRIPTION	DESCRIPTION
DATE	DATE	DATE
APPROVED BY	APPROVED BY	APPROVED BY
DATE	DATE	DATE
PRINTED BY	PRINTED BY	PRINTED BY
DATE	DATE	DATE

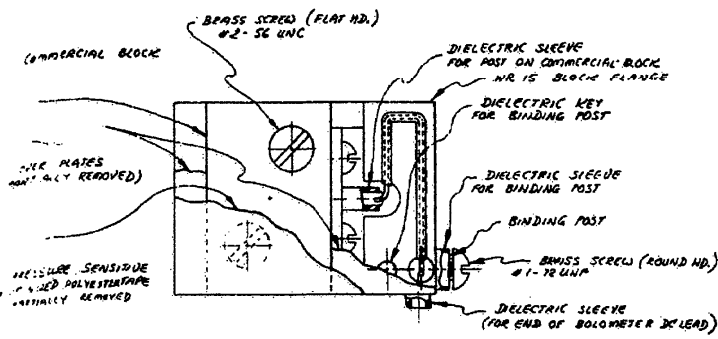
W 65K-1/348D



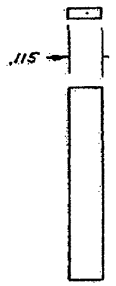




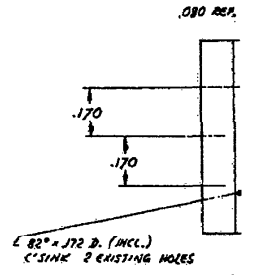
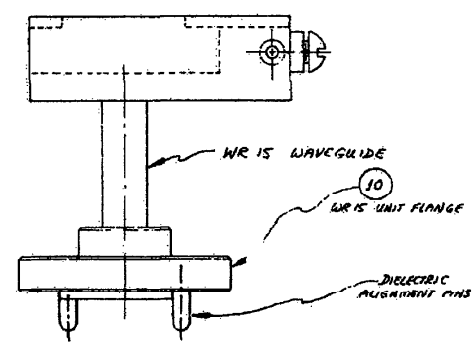




TOP VIEW  
 WITH REMOVED (PARTIALLY) ALUMINIZED PRESSURE SENSITIVE POLYESTER TAPE ALSO PARTIALLY REMOVED COVER PLATES

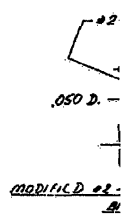
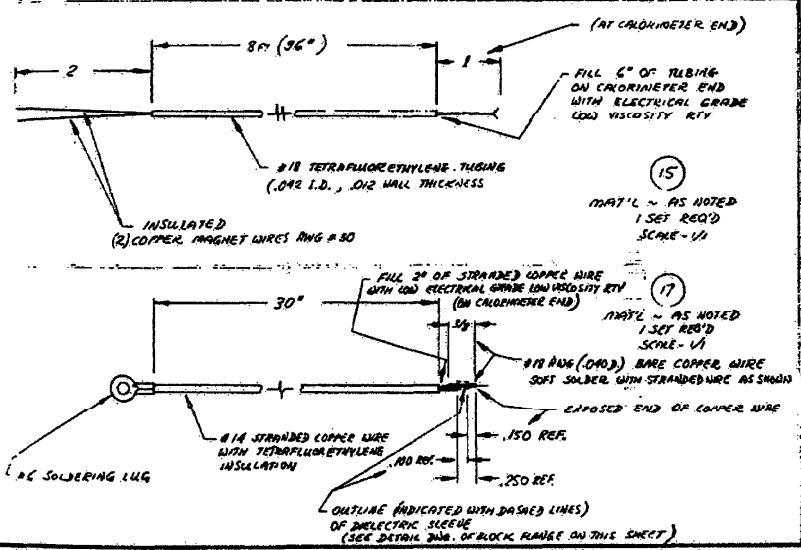


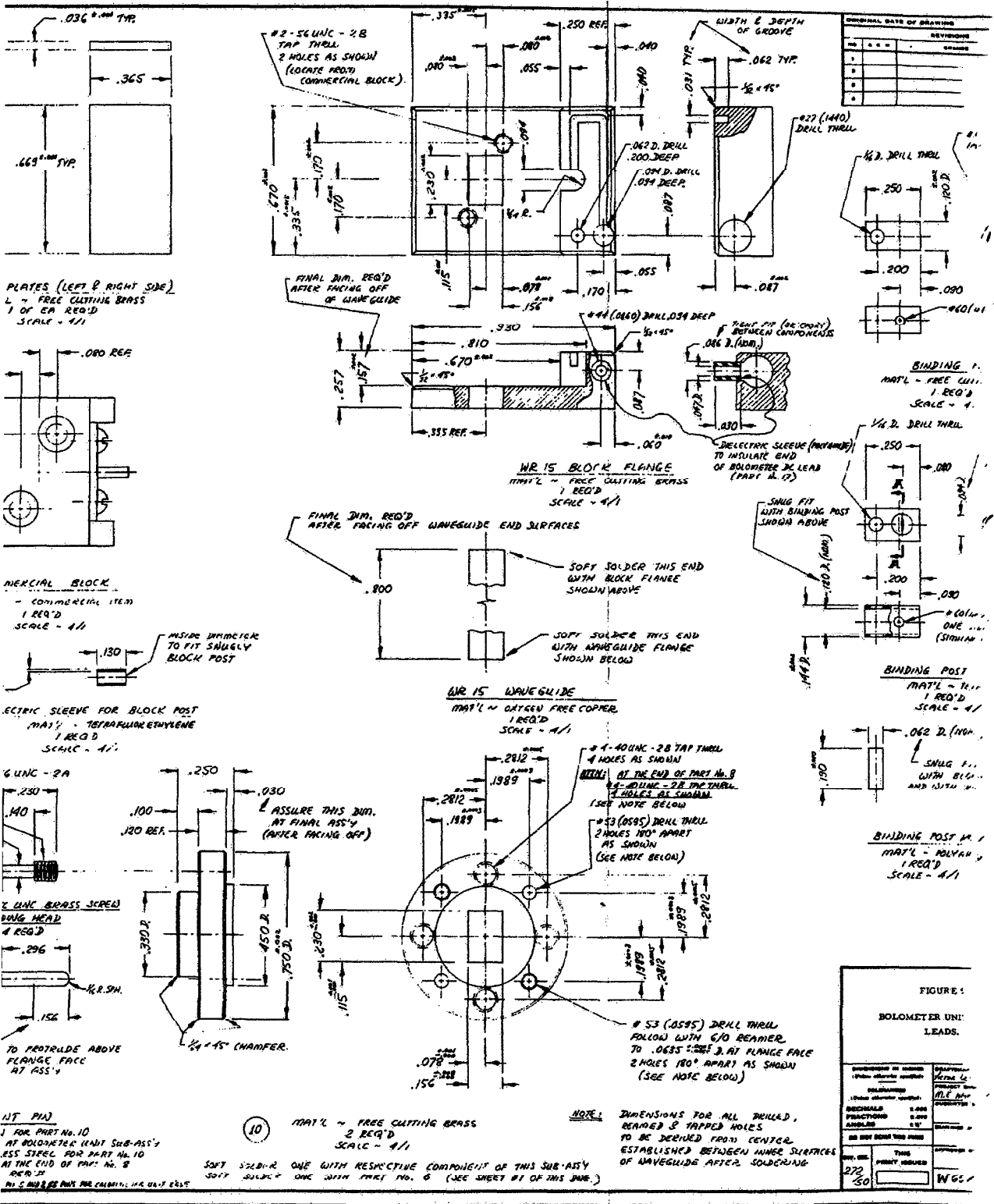
COVER  
 MA



.020 WALL THICKNESS  
 DI

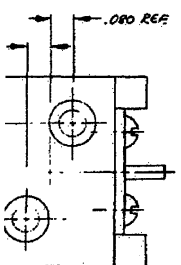
SUB-ASS'Y BOLOMETER UNIT  
 SCALE - 4/1



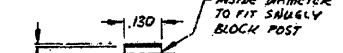


NO.	DATE	REVISION
1		
2		
3		
4		

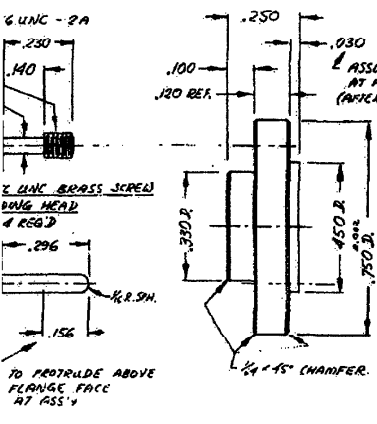
PLATES (LEFT & RIGHT SIDE)  
L - FREE CUTTING BRASS  
1 REQ'D  
SCALE - 4/1



COMMERCIAL BLOCK  
- COMMERCIAL ITEM  
1 REQ'D  
SCALE - 4/1



ELECTRIC SLEEVE FOR BLOCK POST  
MATERIAL - TETRAFLUORETHYLENE  
1 REQ'D  
SCALE - 4/1



NOTE: DIMENSIONS FOR ALL DRILLED, REAMED & TAPPED HOLES TO BE DERIVED FROM CENTER ESTABLISHED BETWEEN INNER SURFACES OF WAVEGUIDE AFTER SOLDERING.

10 MATERIAL - FREE CUTTING BRASS  
2 REQ'D  
SCALE - 4/1

SOFT SOLDER - ONE WITH RESPECTIVE COMPONENT OF THIS SUB-ASSY  
SOFT SOLDER - ONE WITH PART NO. 6 (SEE SHEET #1 OF THIS DRAWING)

FIGURE 1  
BOLOMETER UNIT LEADS

APPROVED BY	DATE	DESIGNED BY
CHECKED BY		DRAWN BY
REVISIONS		
NO. OF THIS DRAWING		
THIS DRAWING		
272		WGS



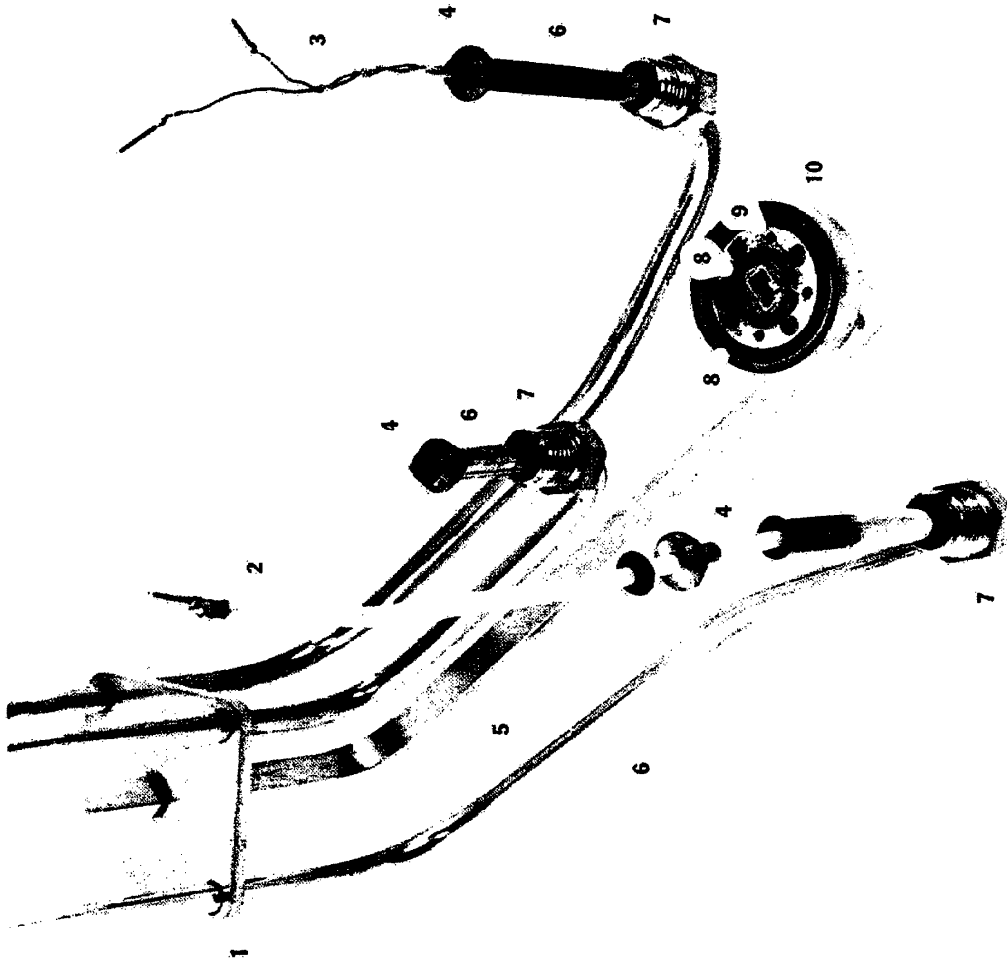
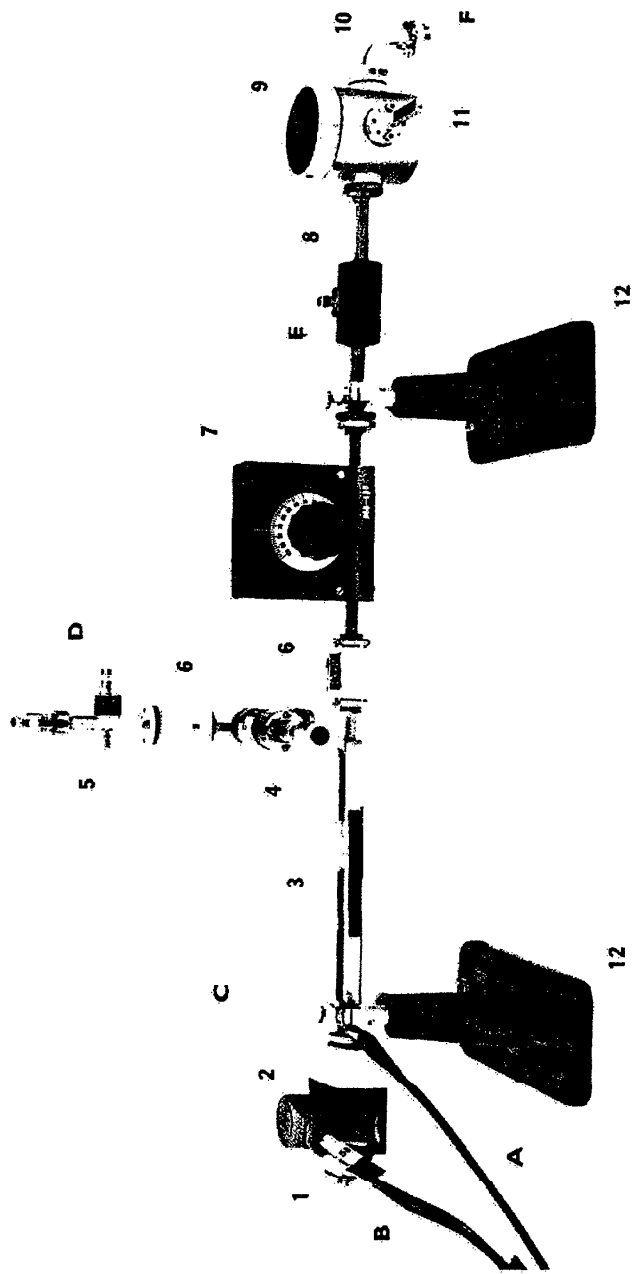


Figure 6. Lead-in seals.



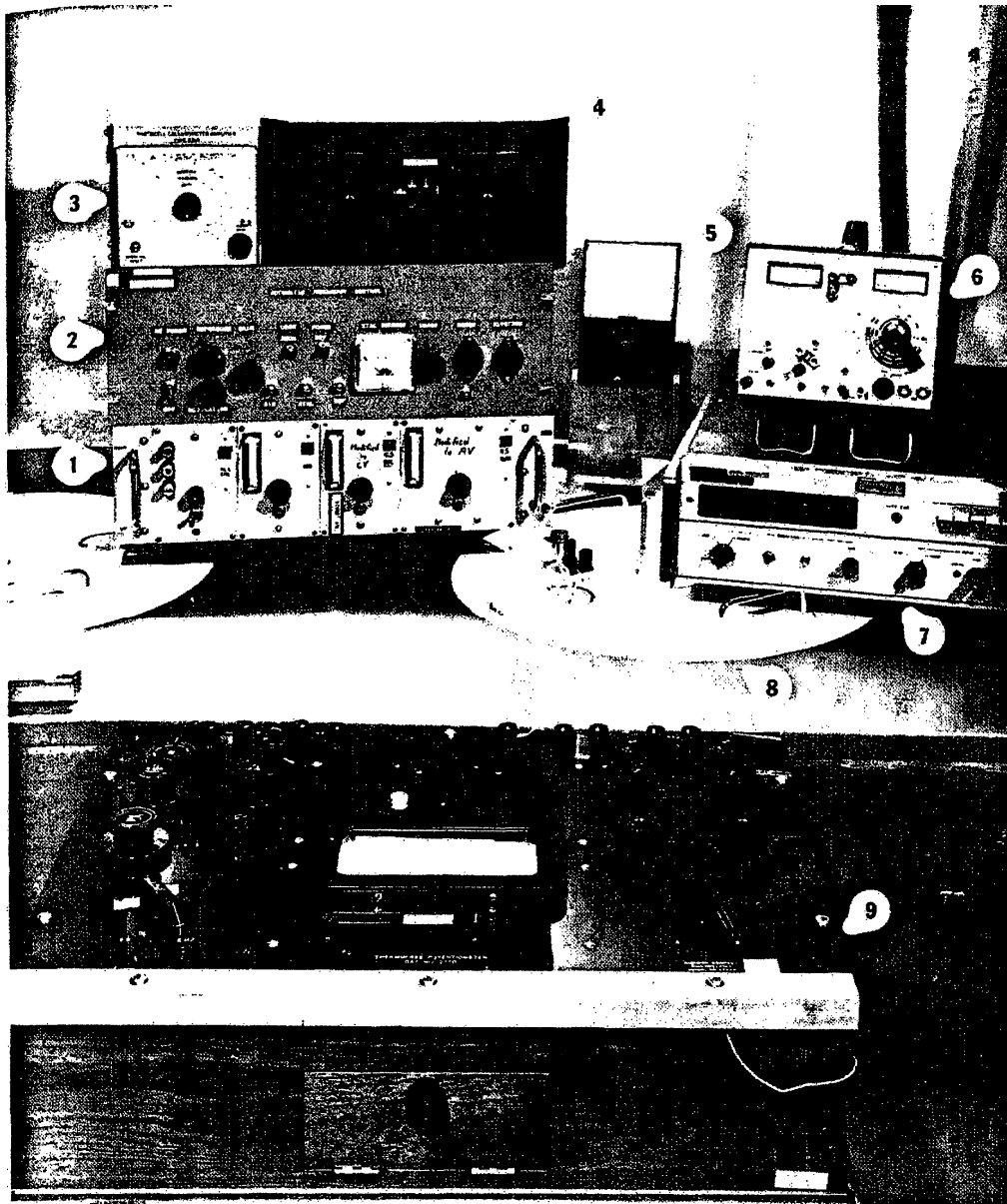


Figure 8. Accessory equipment.