

NSP DFIRM Map Production
Draft Geodatabase Schema
CLIN 8.1.4
Workspace
Last Revised 20040907



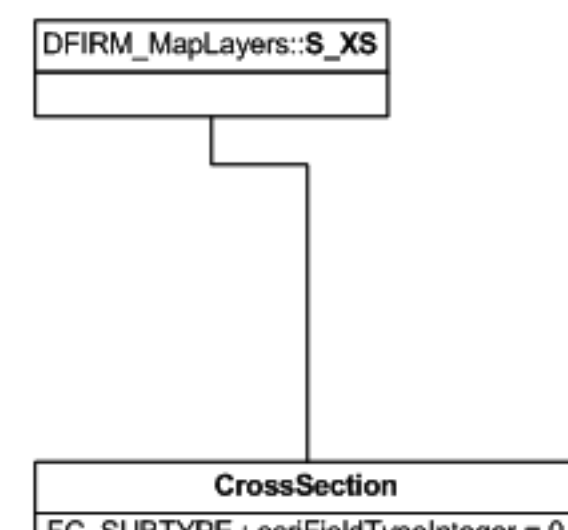
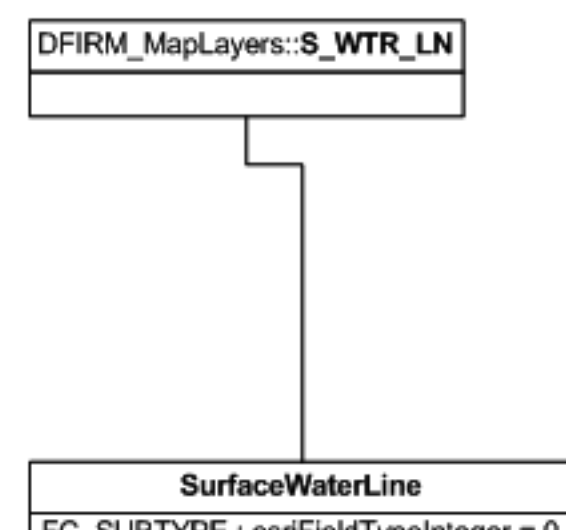
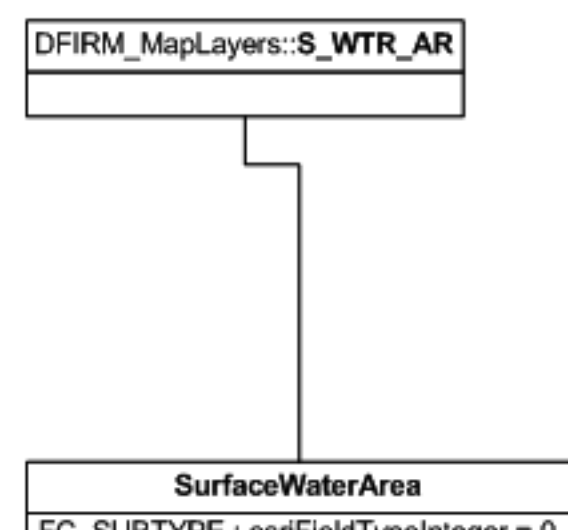
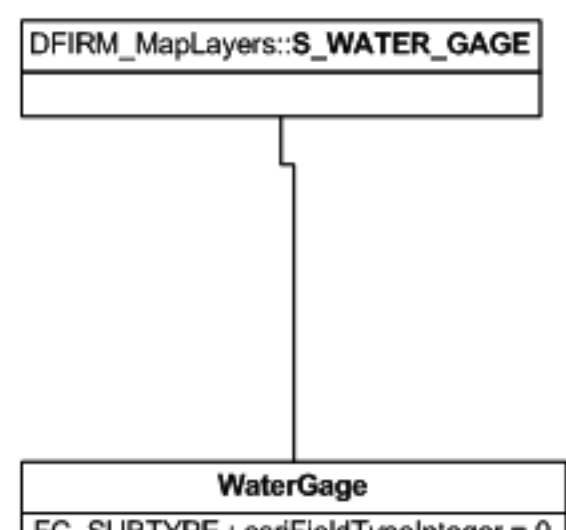
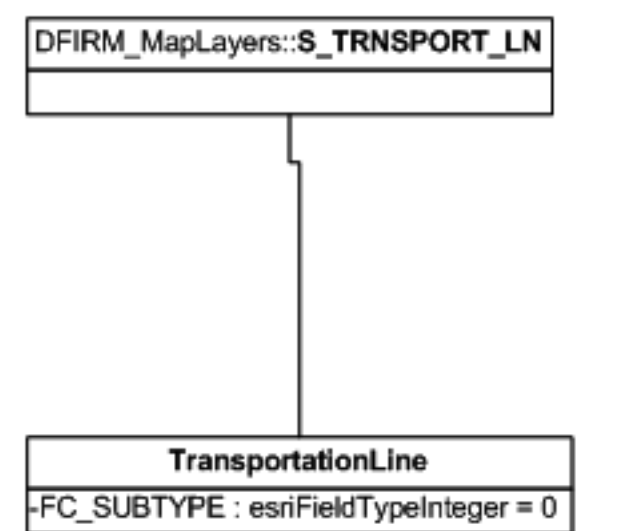
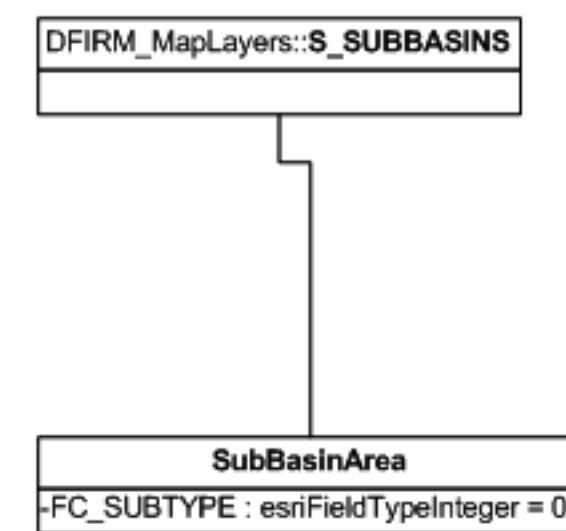
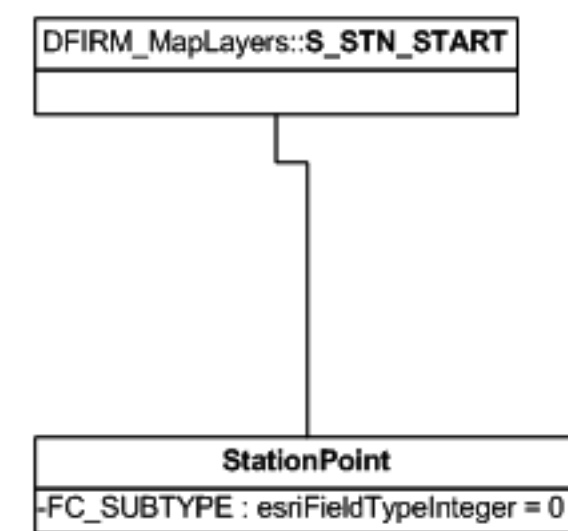
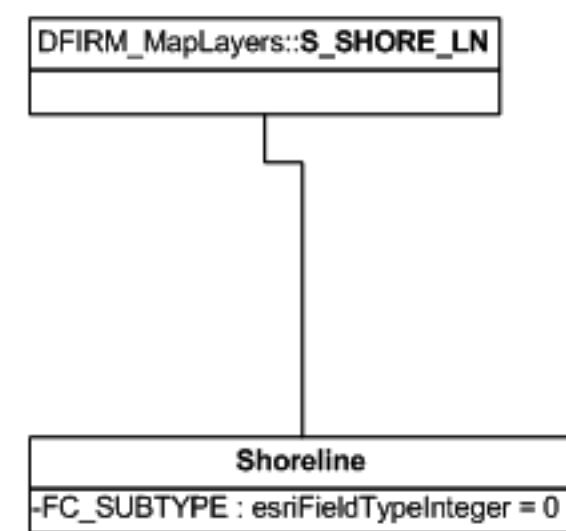
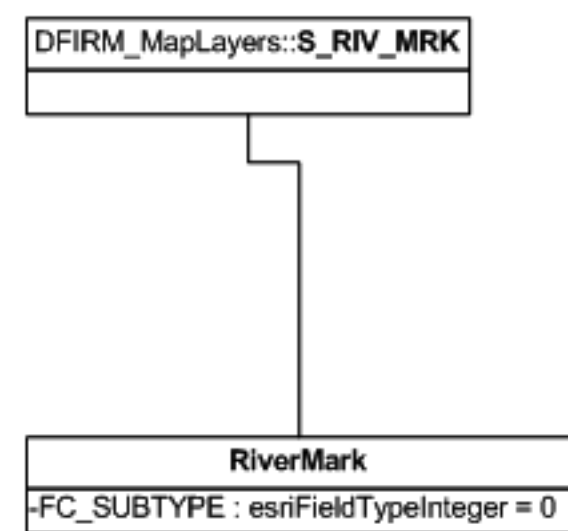
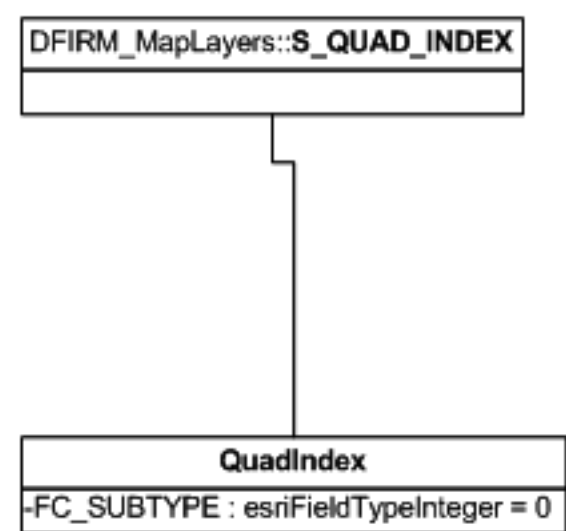
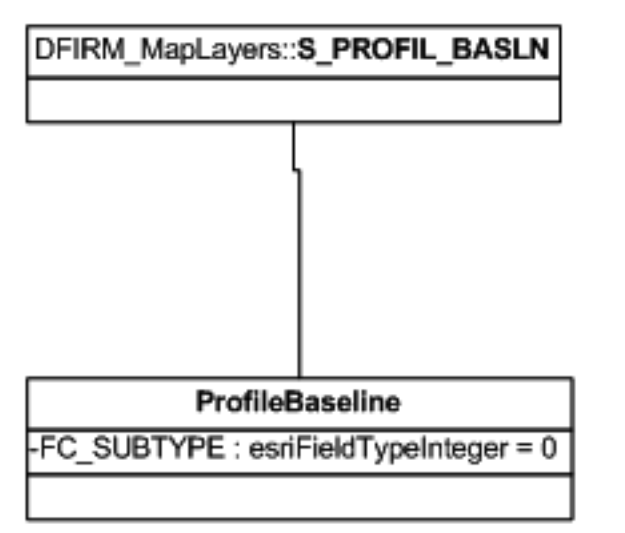
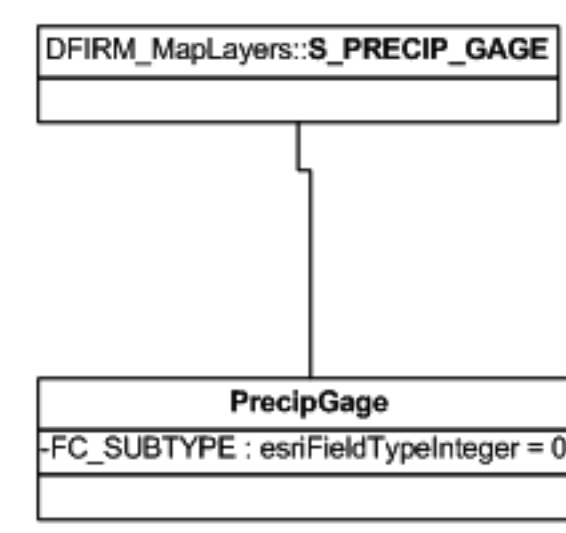
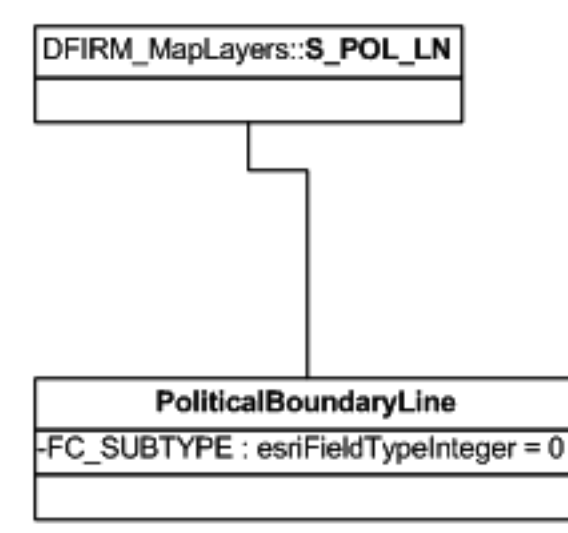
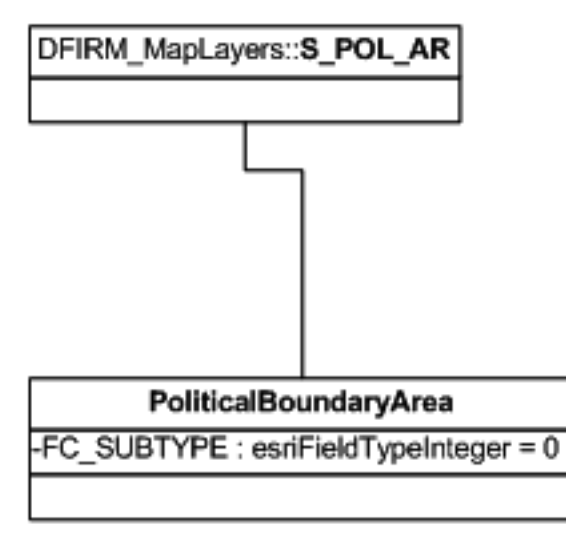
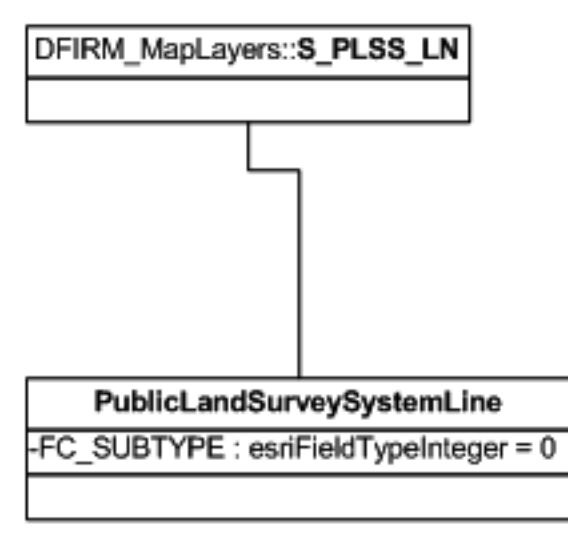
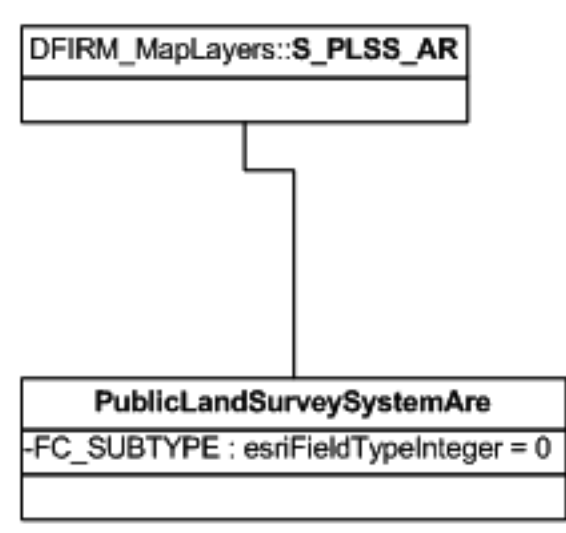
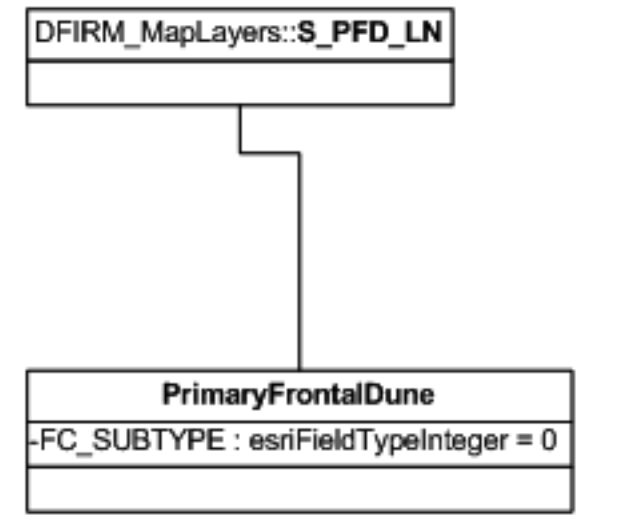
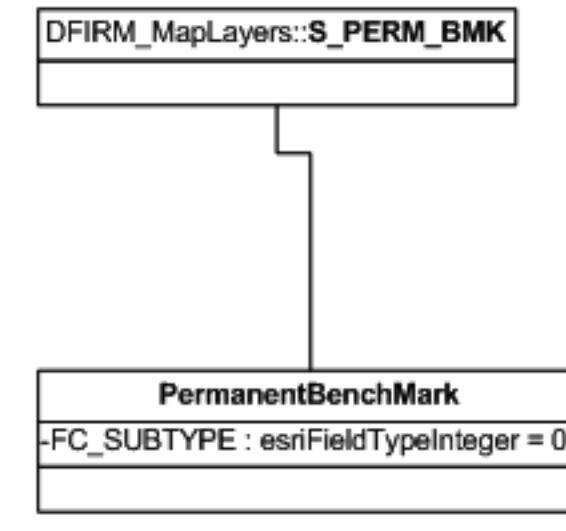
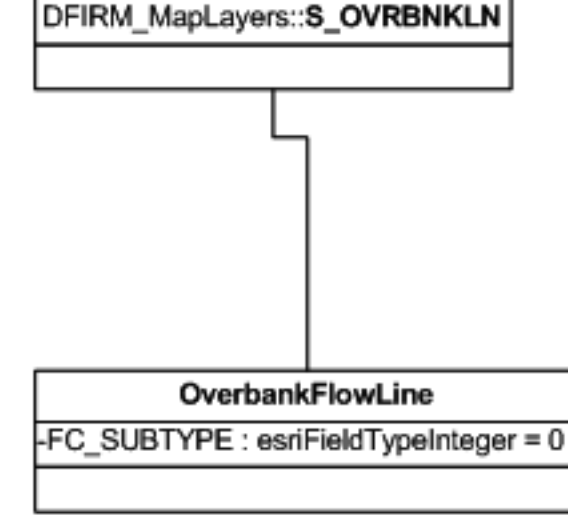
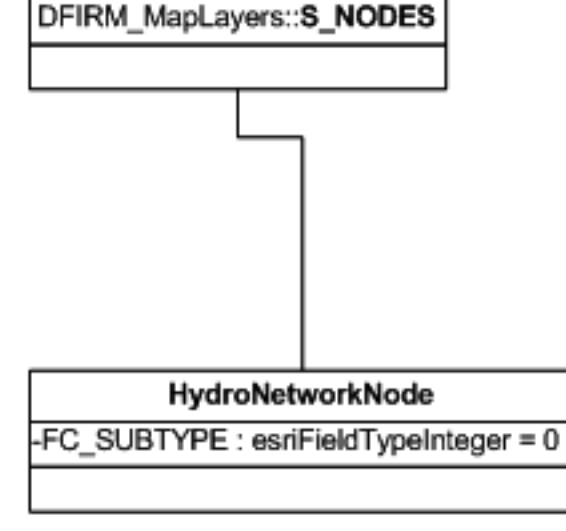
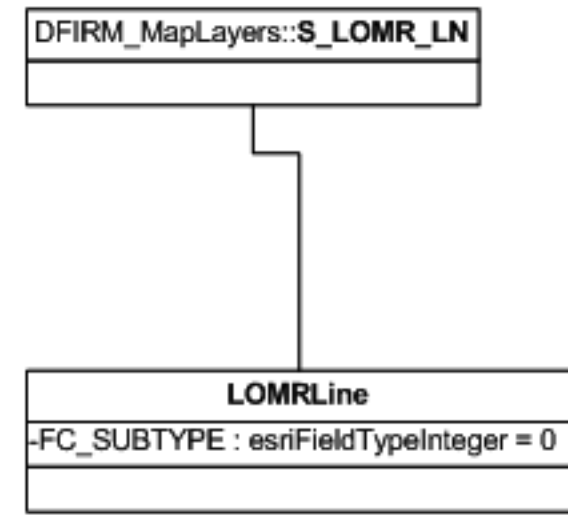
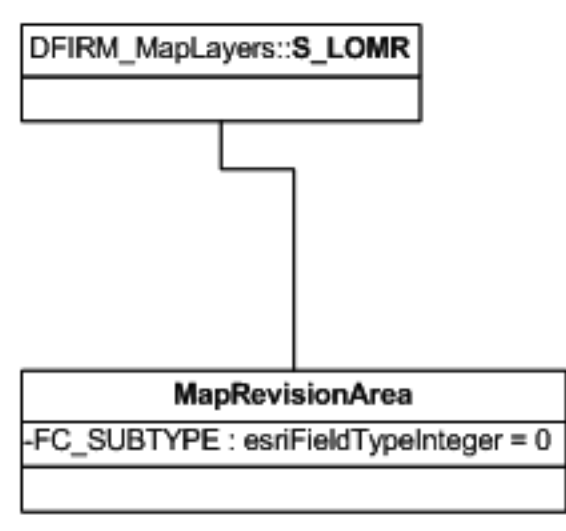
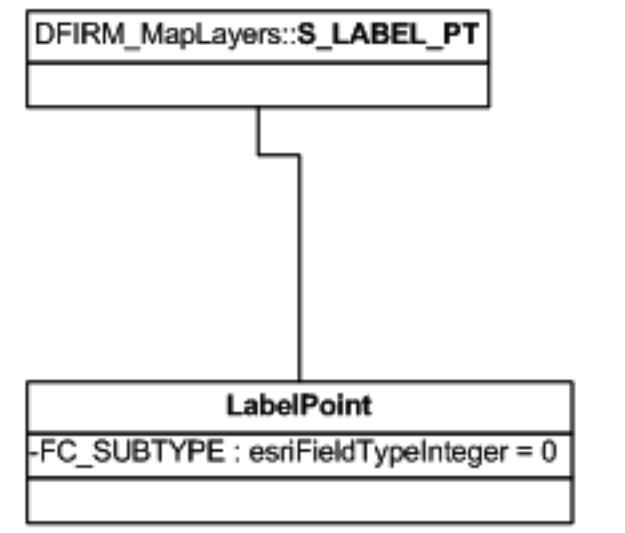
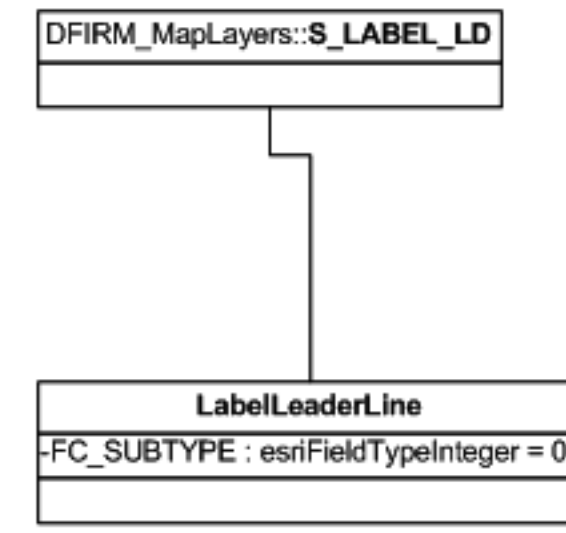
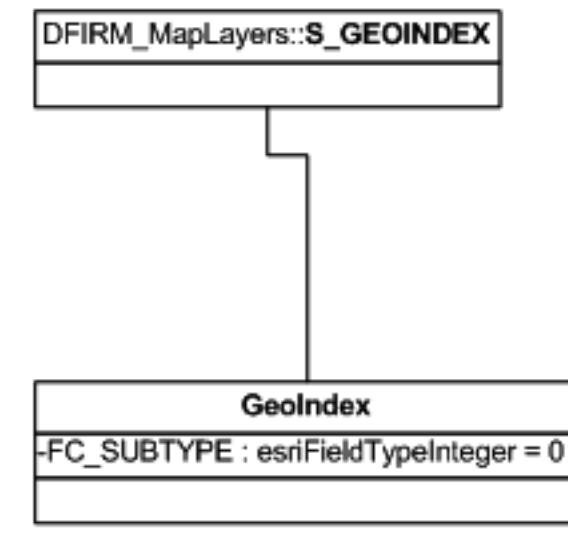
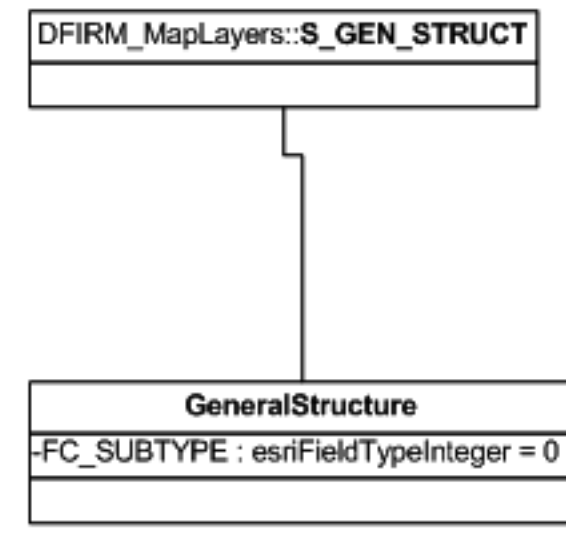
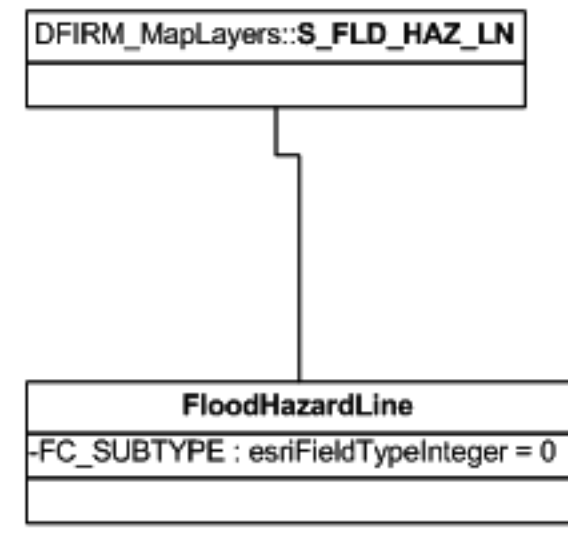
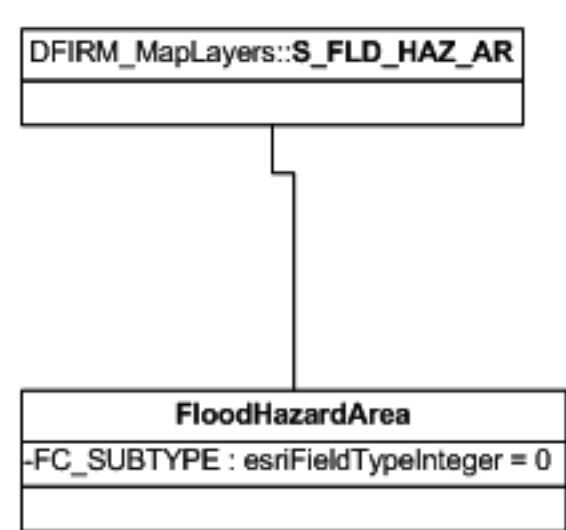
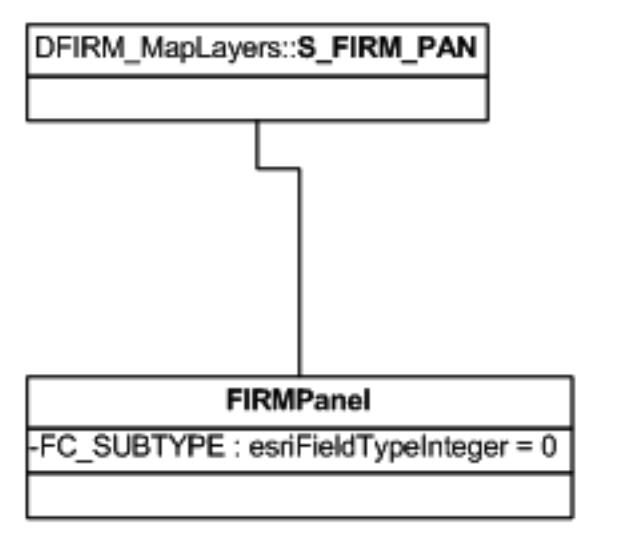
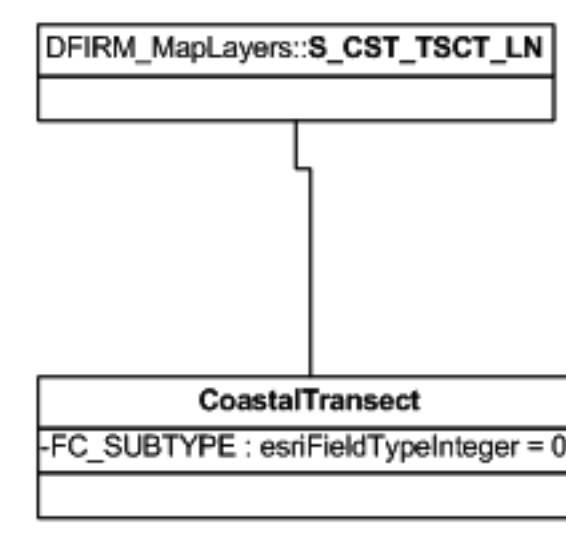
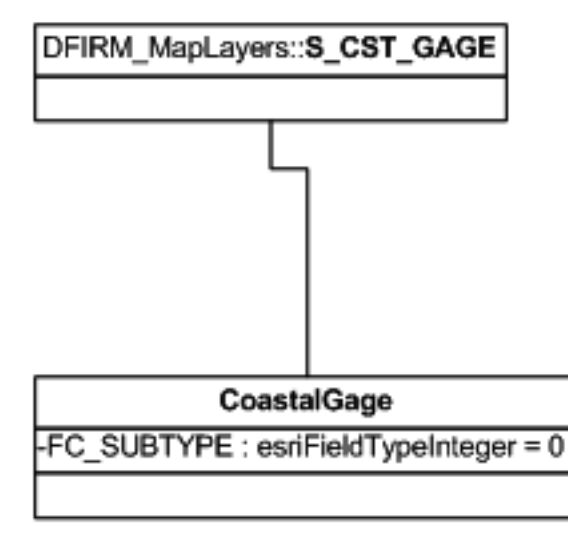
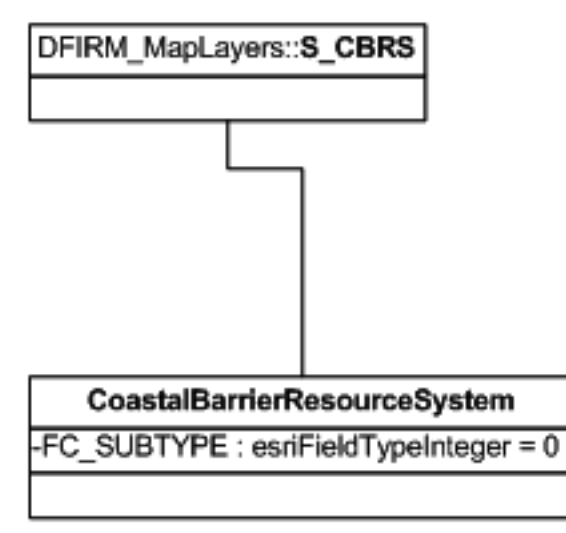
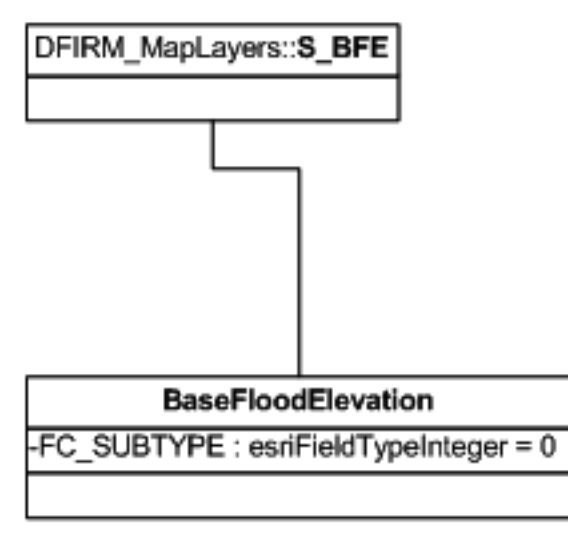
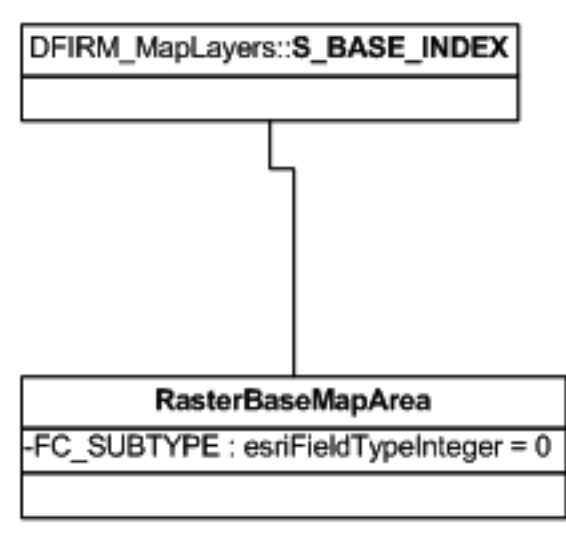
NSP DFIRM Map Production

Draft Geodatabase Schema

CLIN 8.1.4

Subtypes

Last Revised 20040907



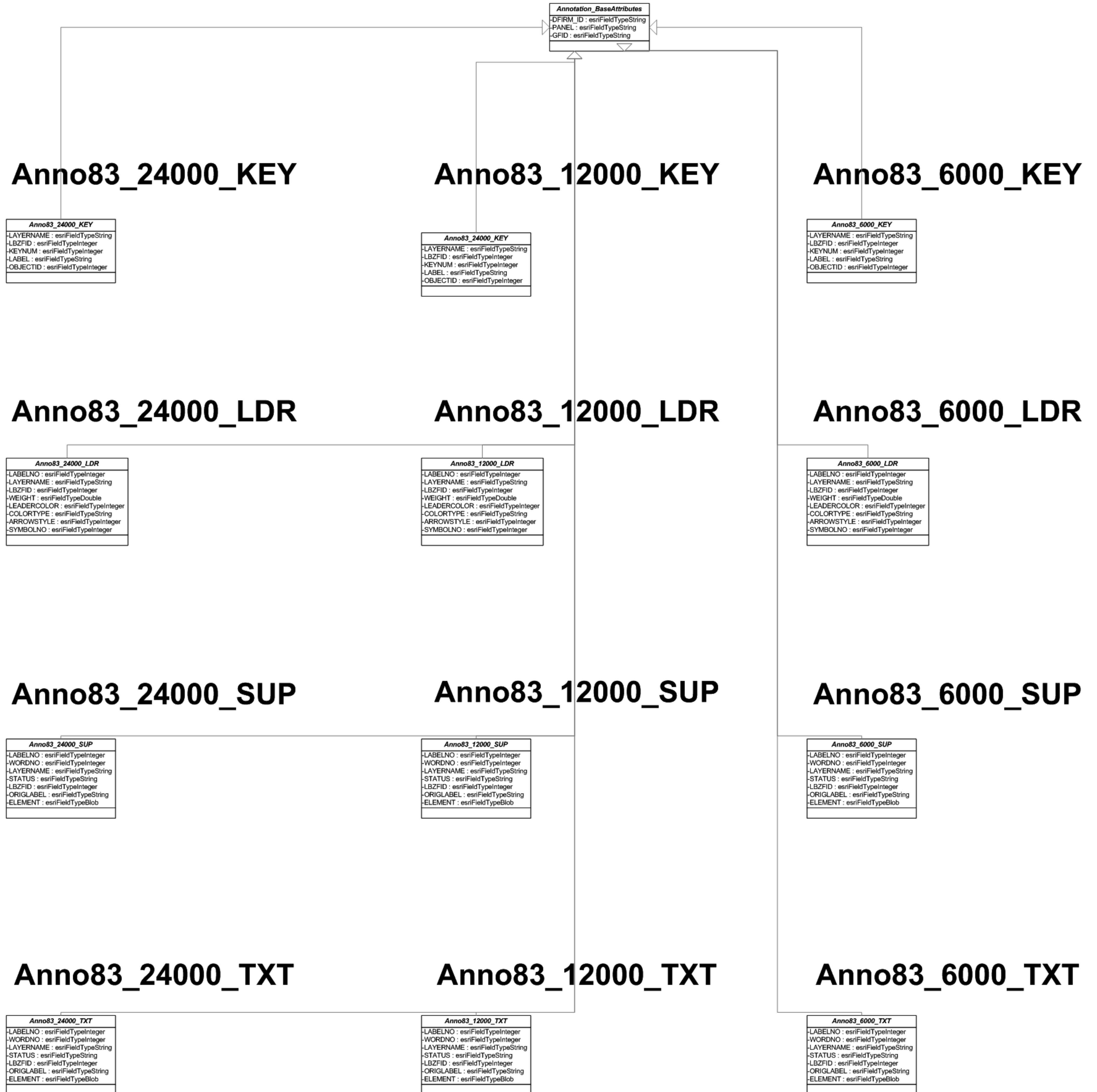
NSP DFIRM Map Production

Draft Geodatabase Schema

CLIN 8.1.4

Annotation

Last Revised 20040907



NOTE: All ANNO classes are abstract and are provided for reference only.