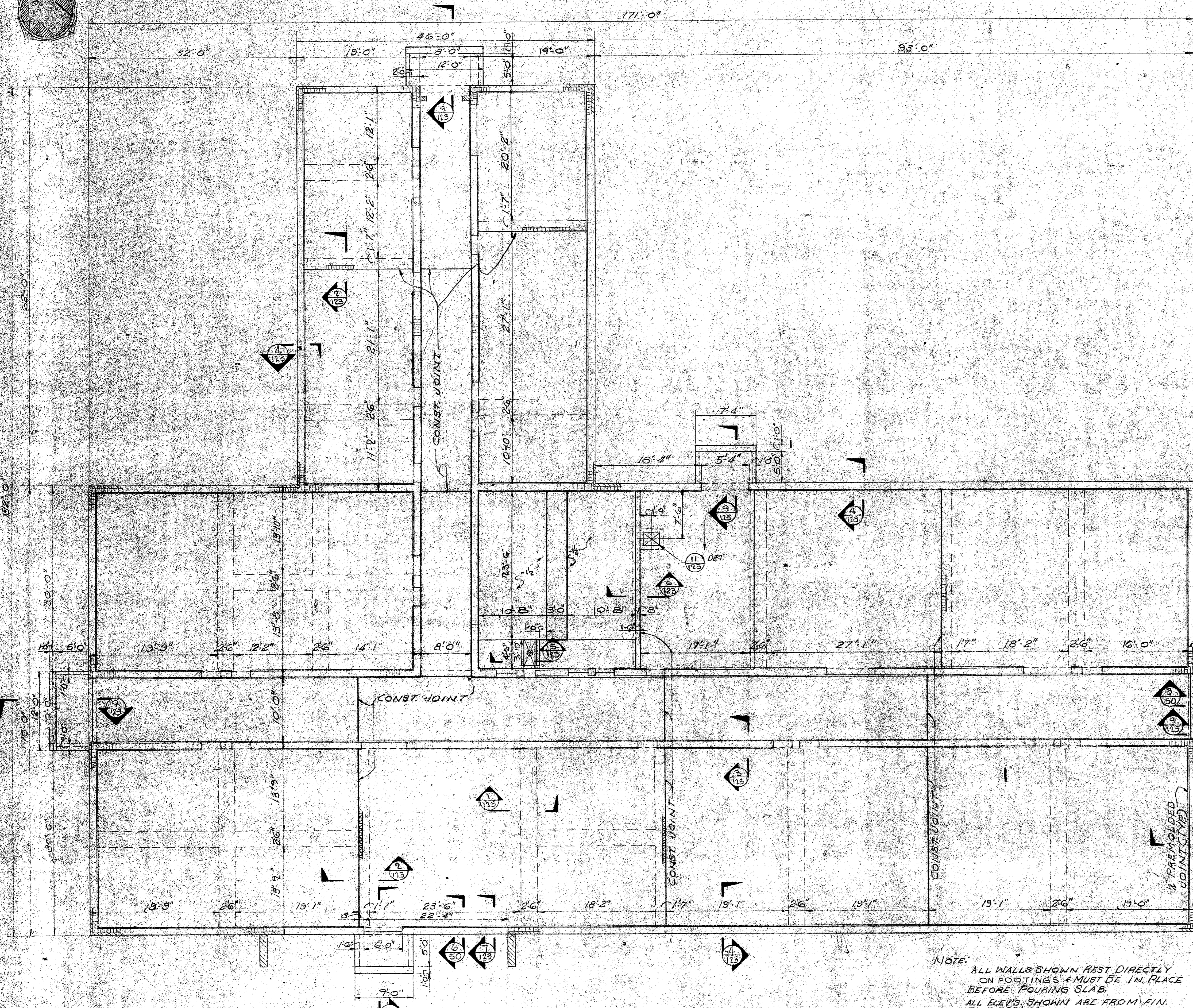
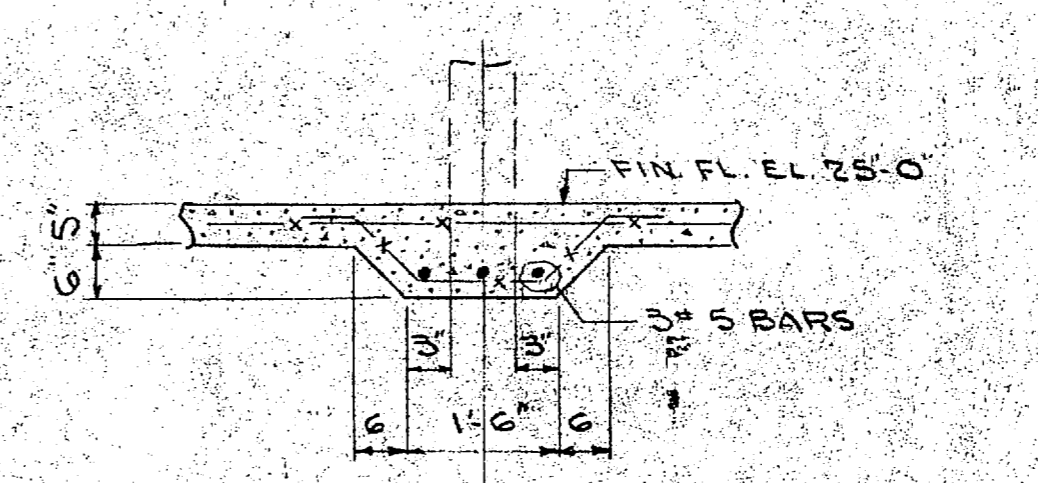


REVISIONS			
SYM.	DESCRIPTION	DATE	APPROVED

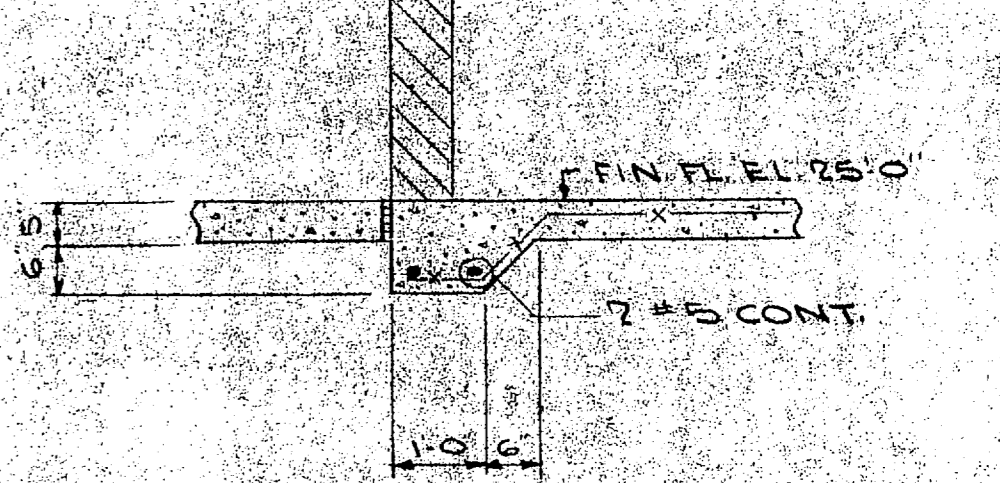


SLAB PLAN
SCALE: 1/8"=1'-0"

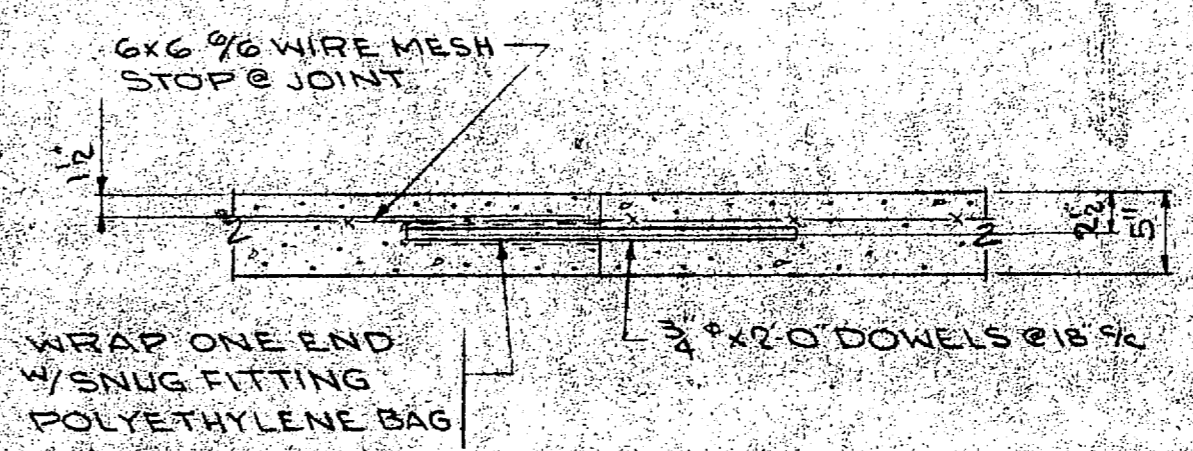
NOTE:
ALL WALLS SHOWN REST DIRECTLY
ON FOOTINGS & MUST BE IN PLACE
BEFORE POURING SLAB.
ALL ELEV'S SHOWN ARE FROM FIN.
FL. ELEV. 75'-0".
FOR WALL LOCATION SEE NAVFAC DWG. 1198596.



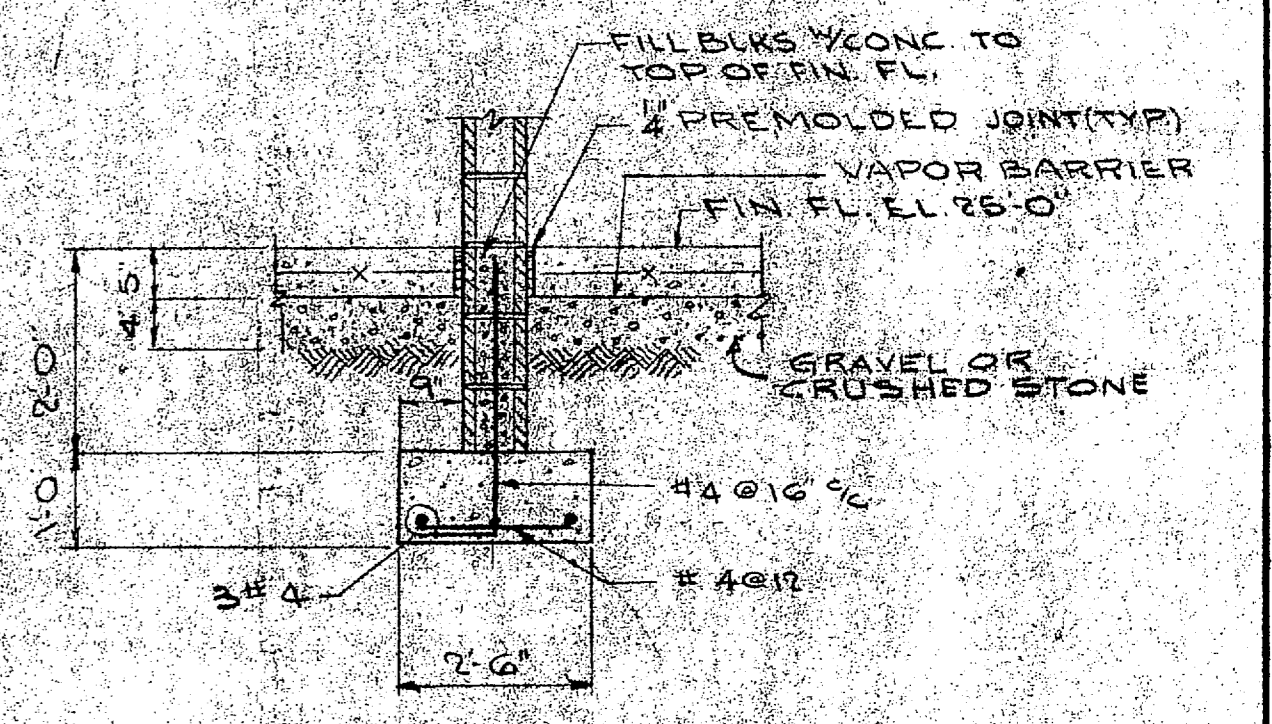
SECTION 1
SCALE: 1/4"=1'-0"
TYP. THICKENED SLAB & INTERIOR WALLS



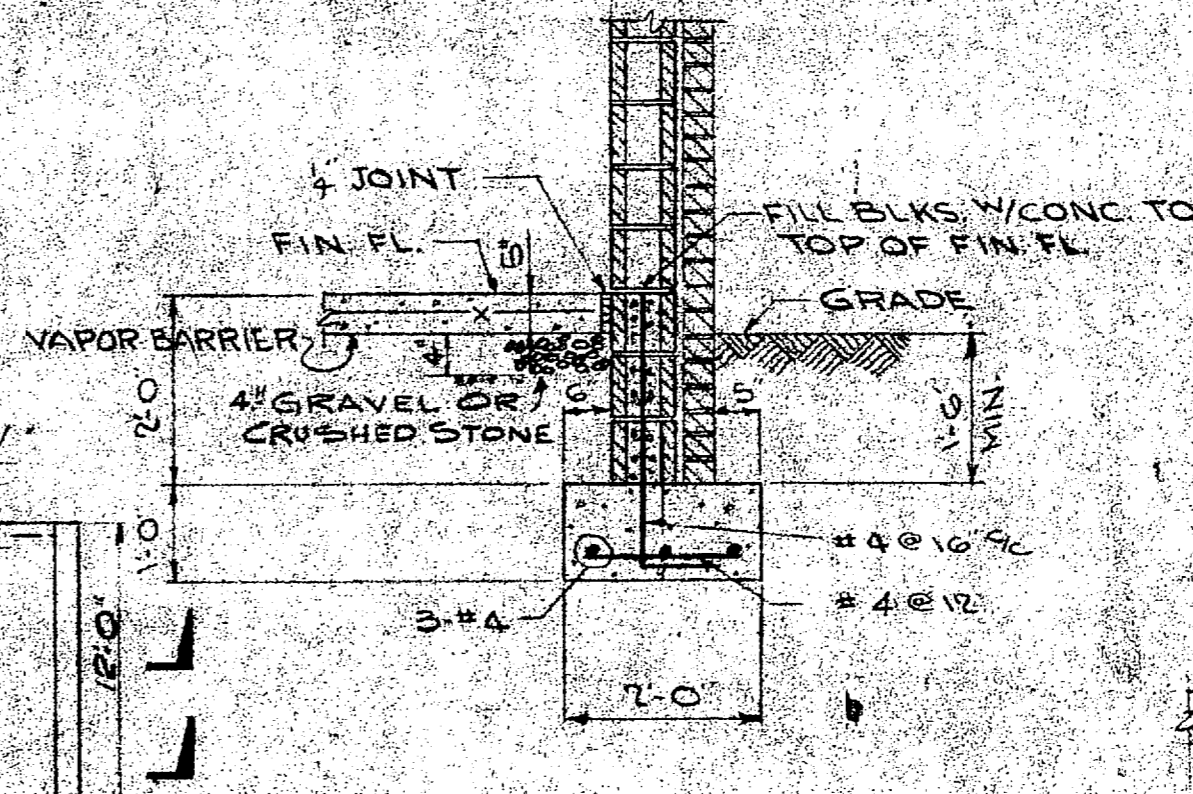
SECTION 2
SCALE: 1/4"=1'-0"
TYP. CONSTR. JT. & MASONRY WALL
SEE PLAN FOR LOCATION



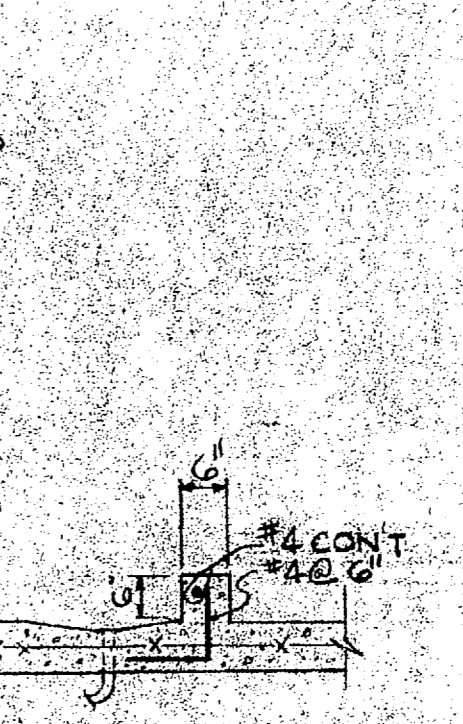
TYPICAL CONSTRUCTION JOINT
DETAIL FOR SLAB ON GRADE
SEE SECT. 2 FOR THE MASONRY WALLS



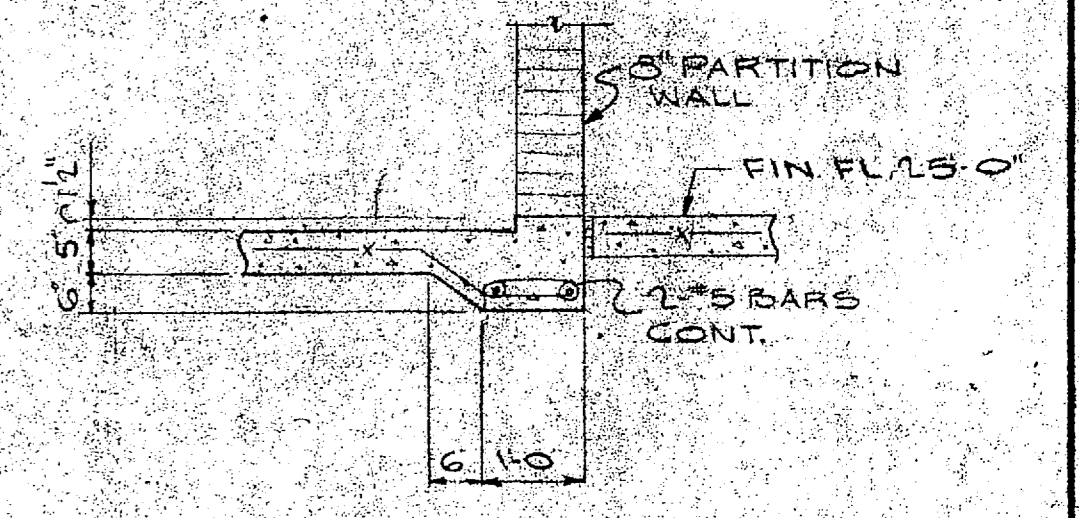
SECTION 3
SCALE: 1/4"=1'-0"
TYP. INTERIOR WALL FTG.



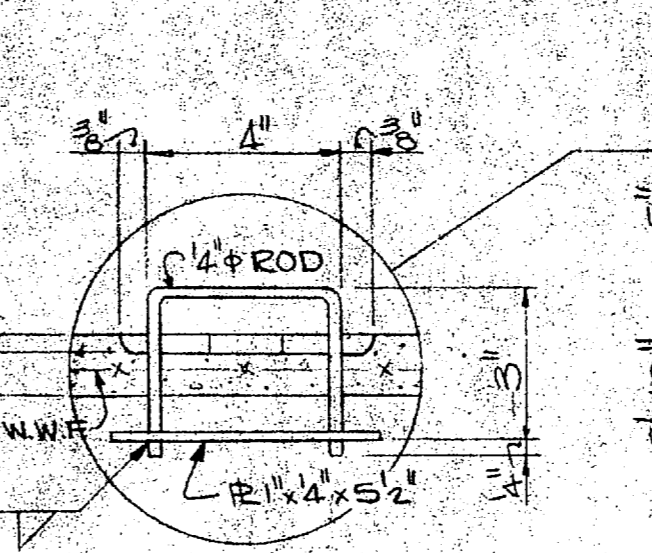
SECTION 4
SCALE: 1/4"=1'-0"
TYP. EXTERIOR WALL FTG. (W.N.)



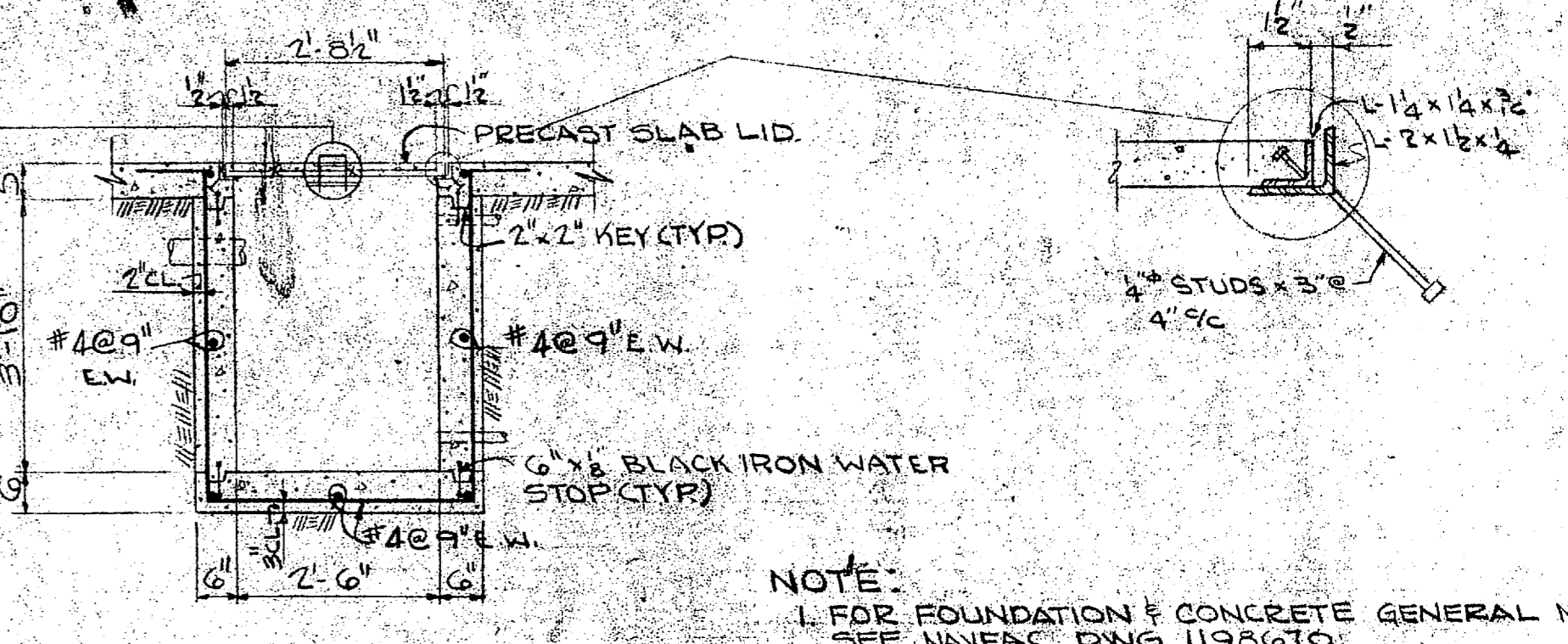
SECTION 5
SCALE: 1/4"=1'-0"
TYP. EXTERIOR WALL FTG. (C.N.)



SECTION 6
SCALE: 1/4"=1'-0"
TYP. INTERIOR WALL FTG.

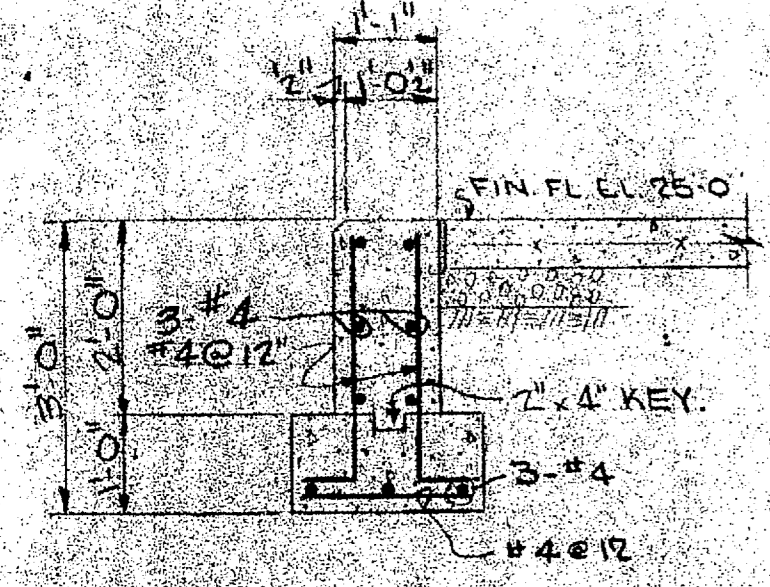


DETAIL 10
SCALE: 1/4"=1'-0"
CONDENSATE COOLING WELL

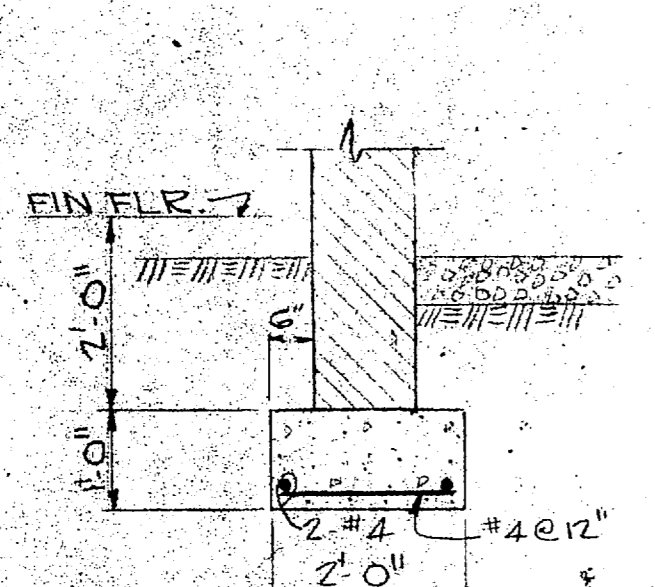


SECTION 11
SCALE: 1/4"=1'-0"
PRECAST SLAB LID
SEE DIVISION 5C FOR PIPING
ORIENTATION

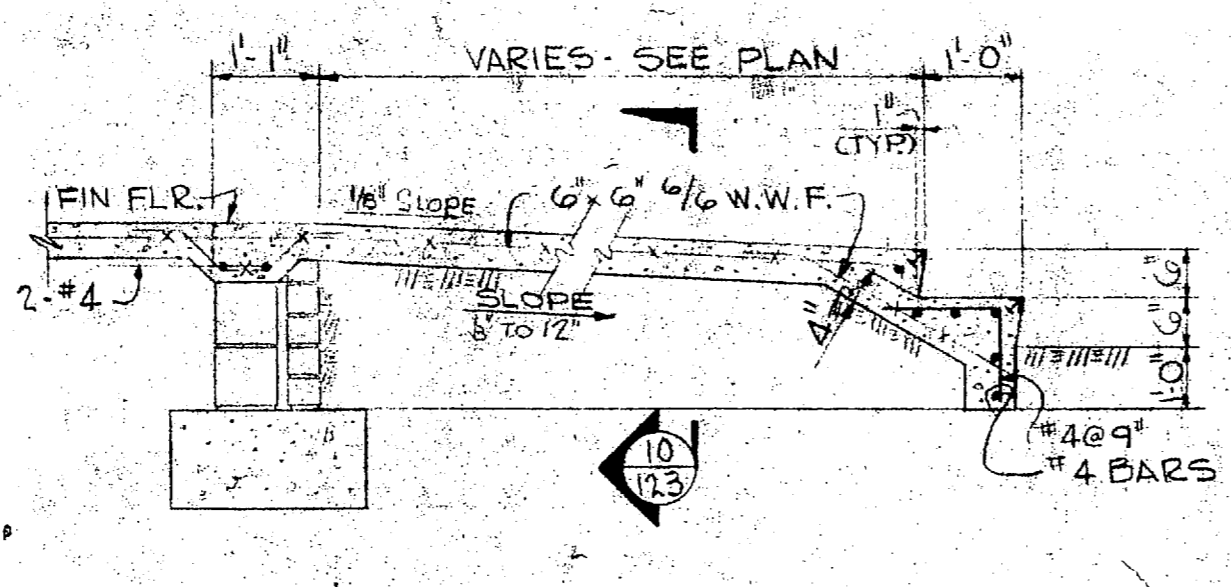
NOTE:
1. FOR FOUNDATION & CONCRETE GENERAL NOTES
SEE NAVFAC DWG. 1198610.



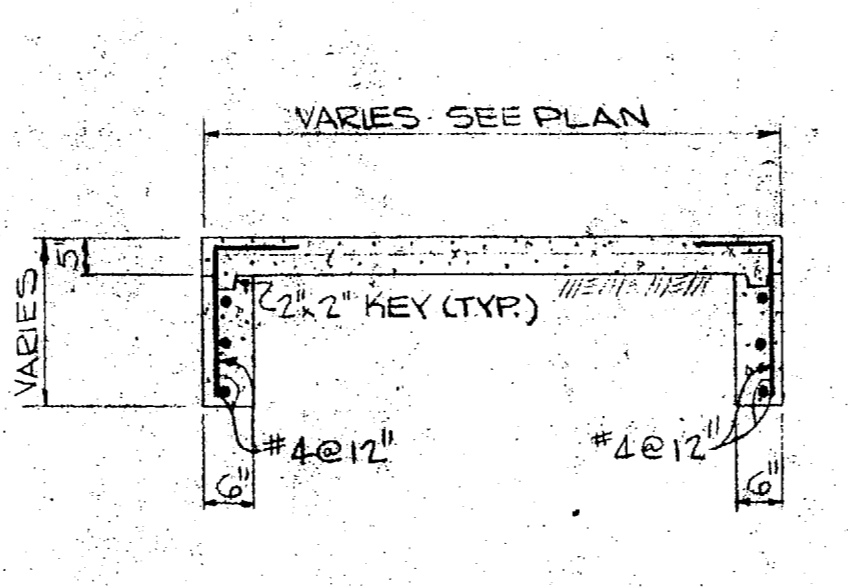
SECTION 7
SCALE: 1/4"=1'-0"



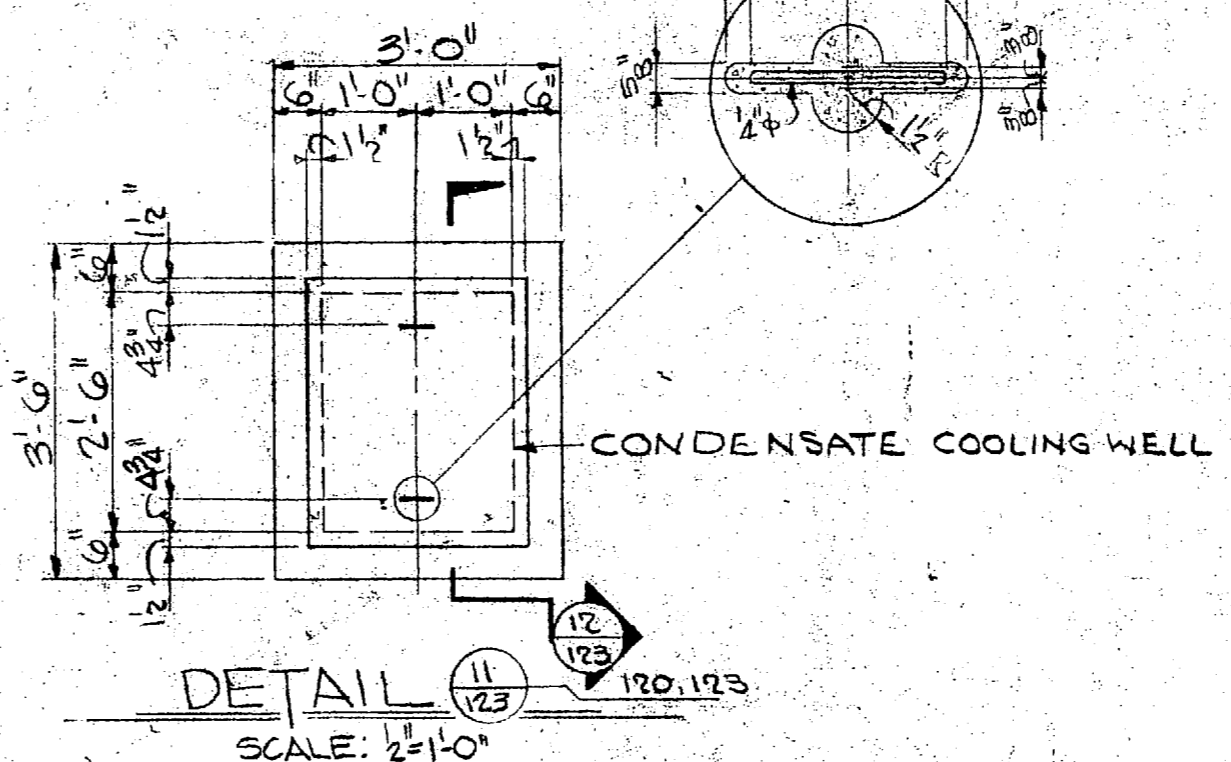
SECTION 8
SCALE: 1/4"=1'-0"



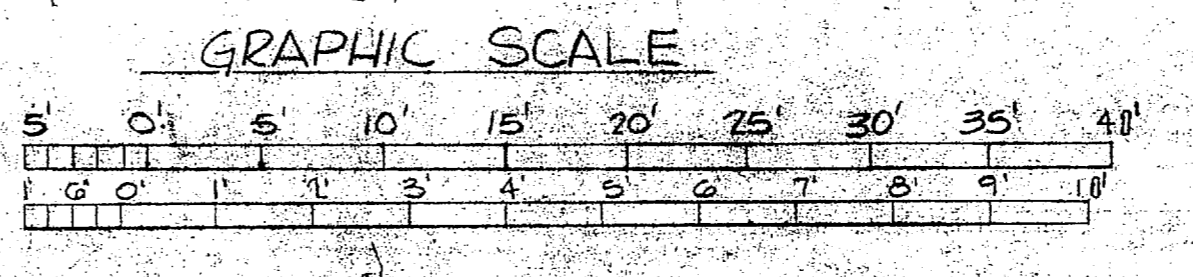
SECTION 9
SCALE: 1/4"=1'-0"



SECTION 12
SCALE: 1/4"=1'-0"



DETAIL 11
SCALE: 1/4"=1'-0"



RECORD DRAWING
DATE FEB 5 1973

LOCKWOOD GREENE, INC. SPANNTOWN, N. C. 27911 ARCHITECTS & ENGINEERS	DEPARTMENT OF THE NAVY NAVAL FACILITIES ENGINEERING COMMAND ATLANTIC DIVISION NAVAL STATION NORFOLK, VIRGINIA
DES. E.D.G. DRIVING/INVENTOR CHK. THURPEN PROJ. MGR. E.P. DYER ENGR. J. MURPHY SUBMITTED BY: [Signature] DATE: 6/11/67 REV. E.W.S. CHK. J. DAVIS APPROVED: [Signature] DATE: 30 JULY 1967	HELICOPTER GROUP TRAINING FACILITY MCAE-NEW RIVER, JACKSONVILLE, N. C. TRAINING BUILDING FLOOR SLAB PLAN NAVFAC DRAWING NO. 1198671
SIZE: 8 1/2" x 11" CODE IDENT. NO.: 80091 CONSTR. CONTR. NO.: NBY 88179 SCALE SHOWN: 8 1/2" x 11" SHEET 123 OF 268	NAVY COMM. NO. 67046 N62470-67-B-1013 LANTDIV DWG. NO. 76671

