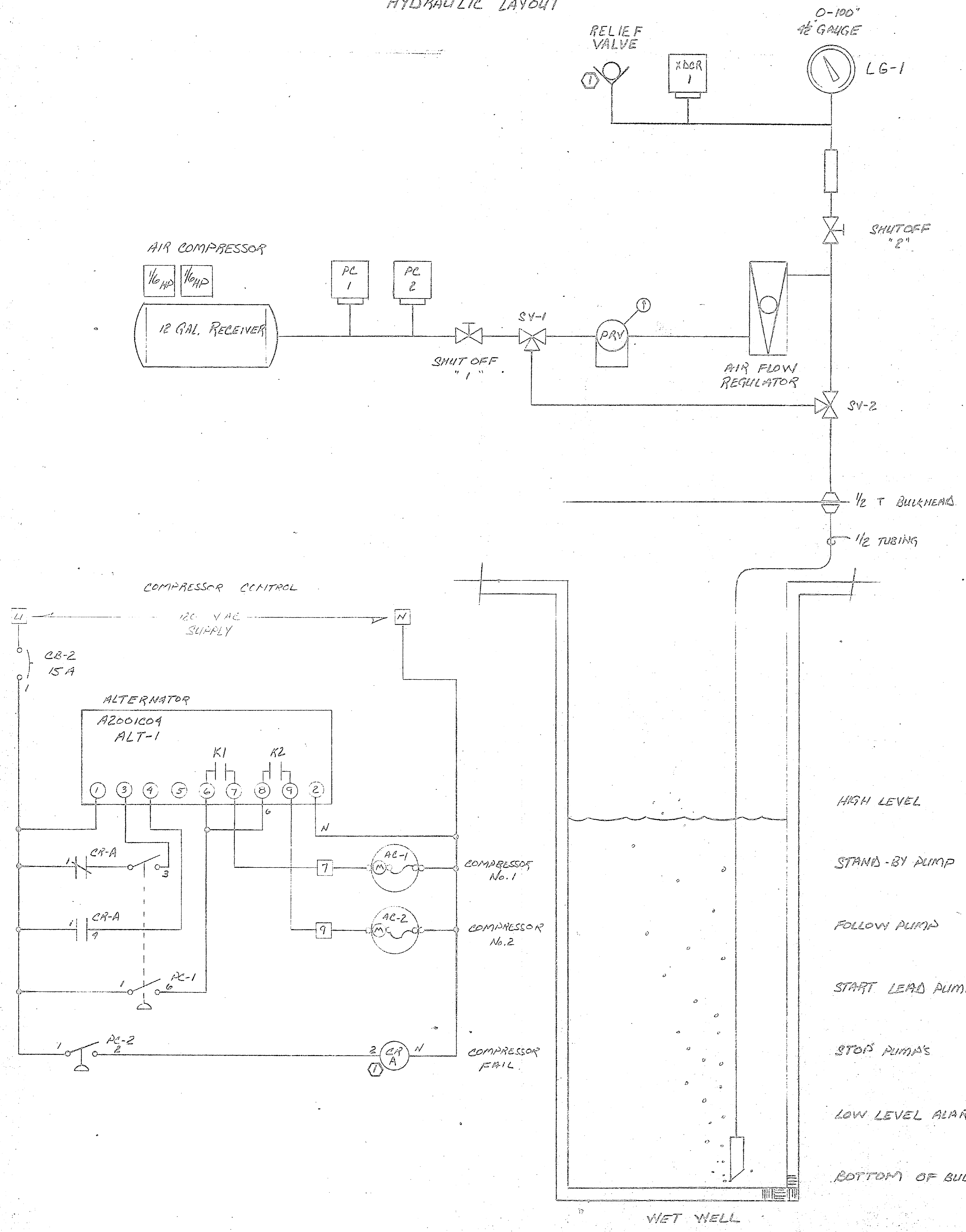
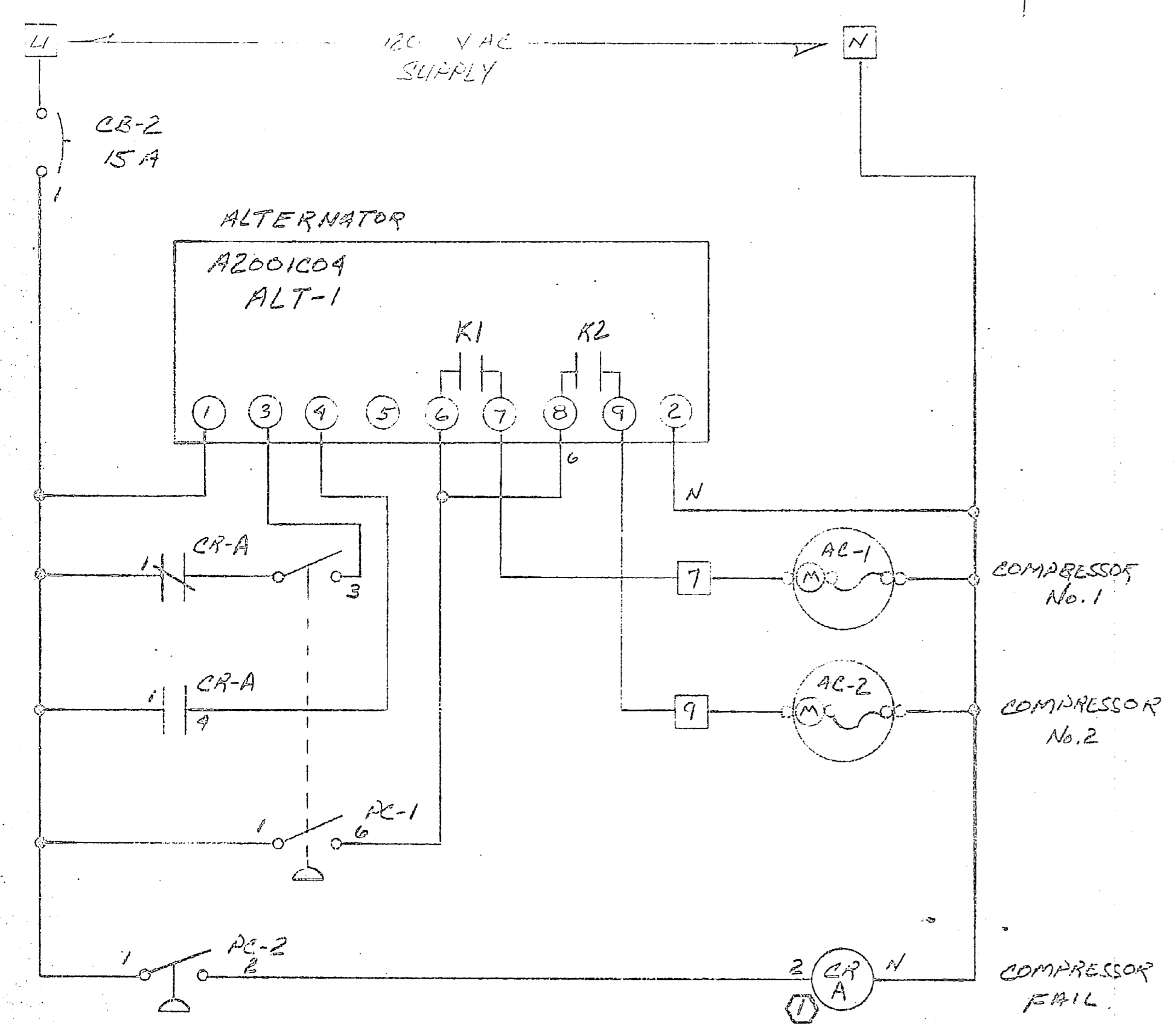


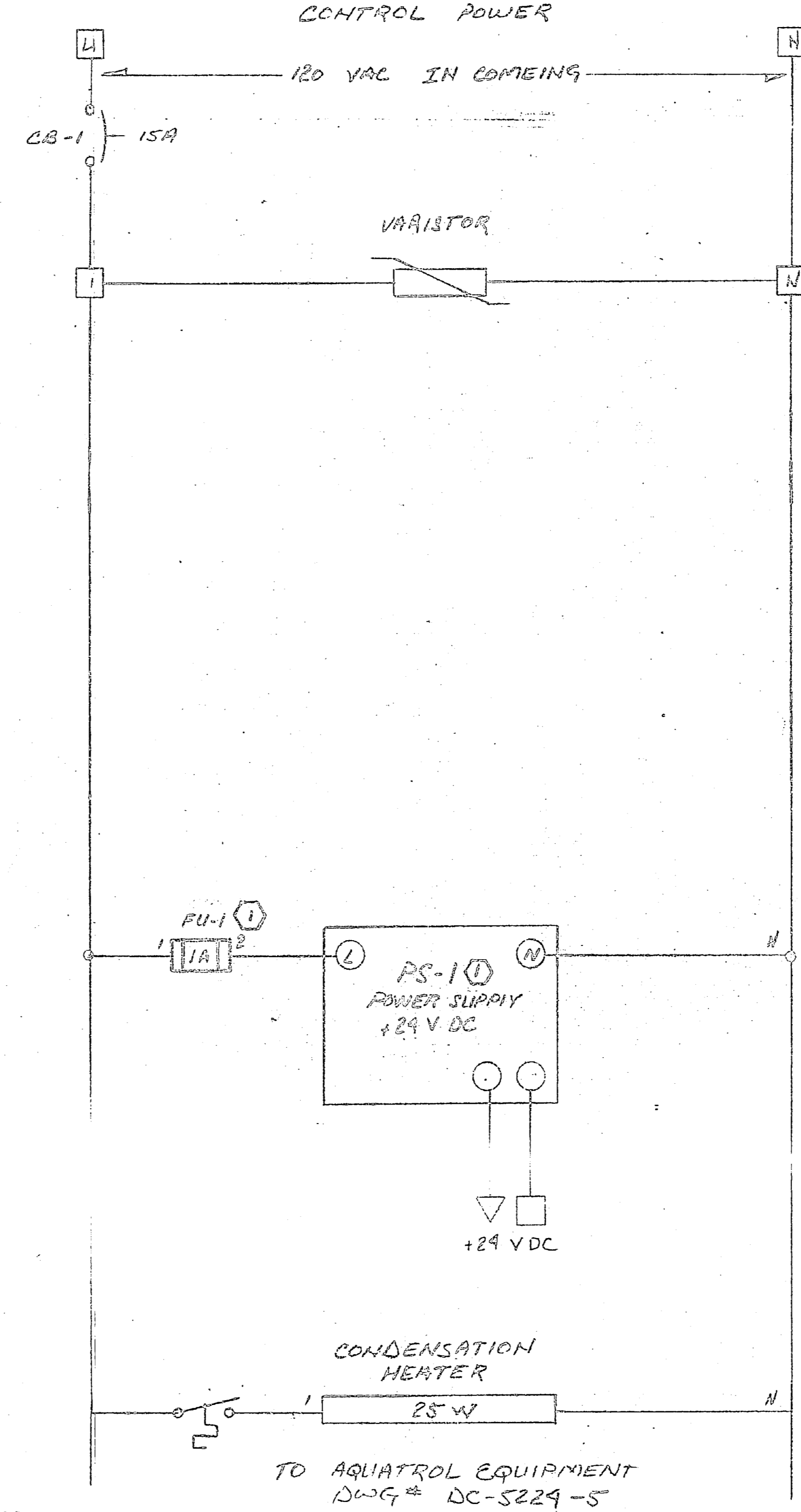
HYDRAULIC LAYOUT



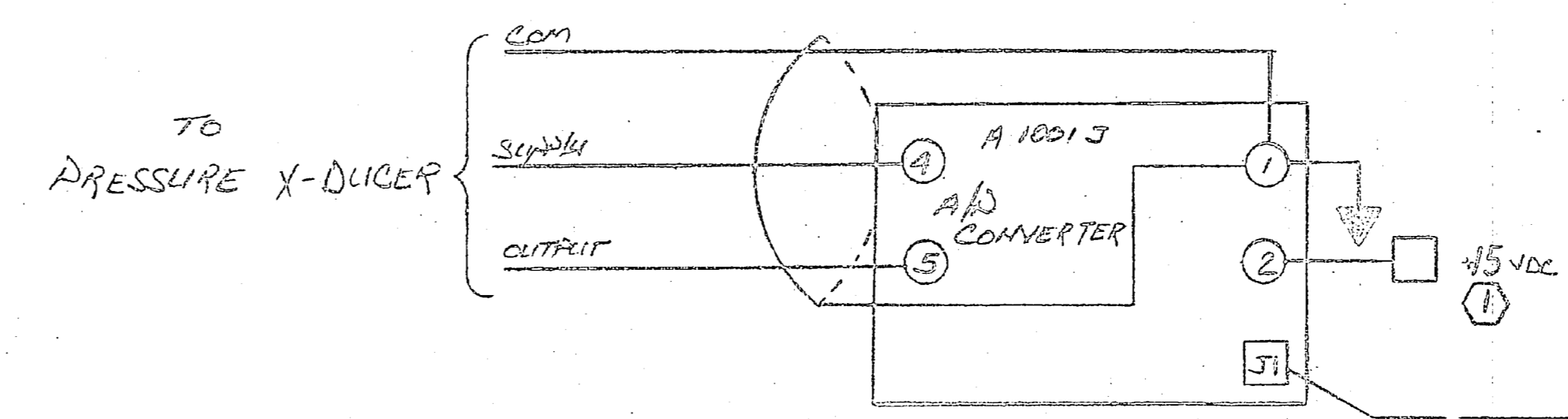
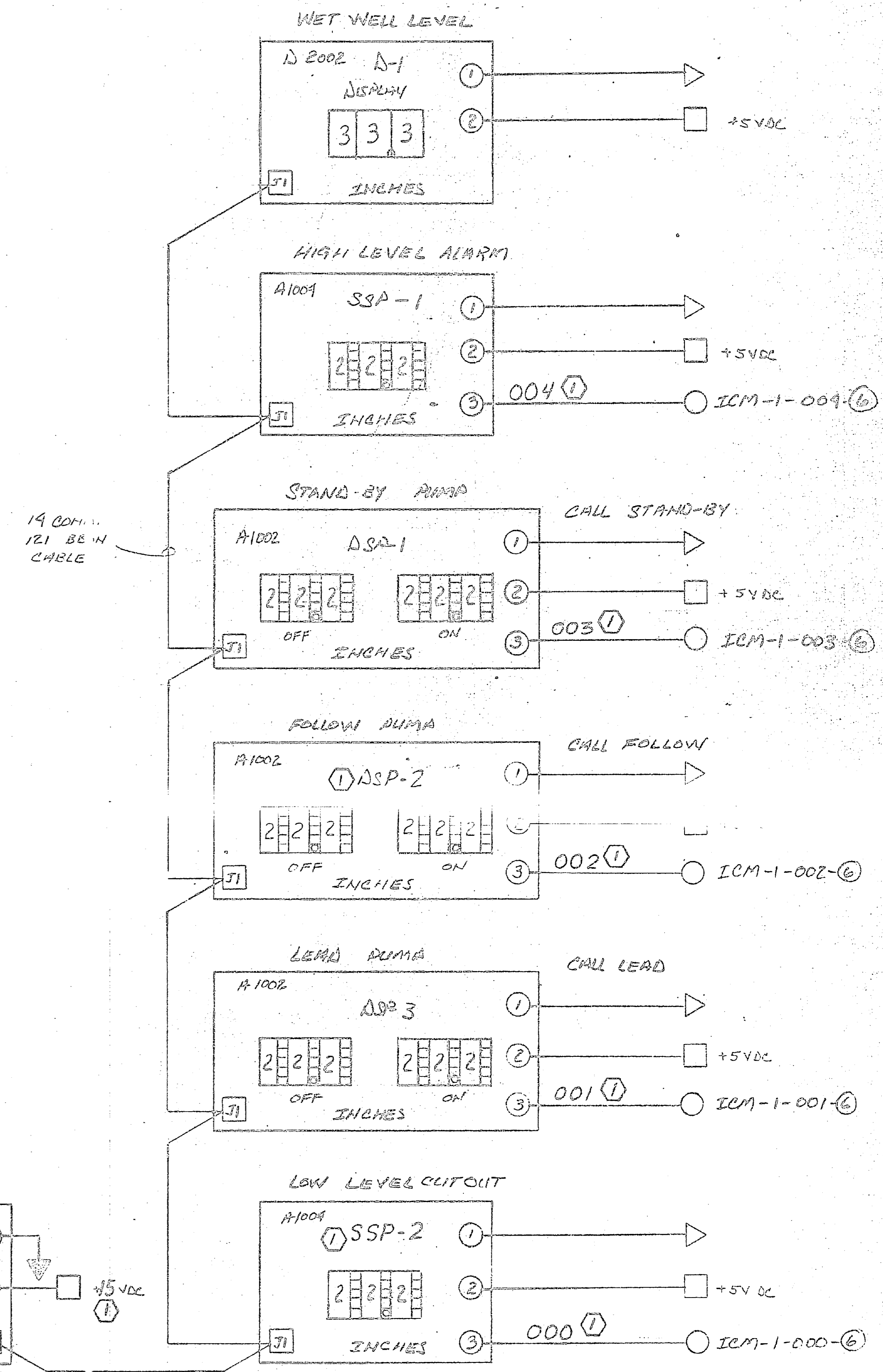
COMPRESSOR CONTROL



CONTROL POWER



DIGITAL LEVEL CONTROL

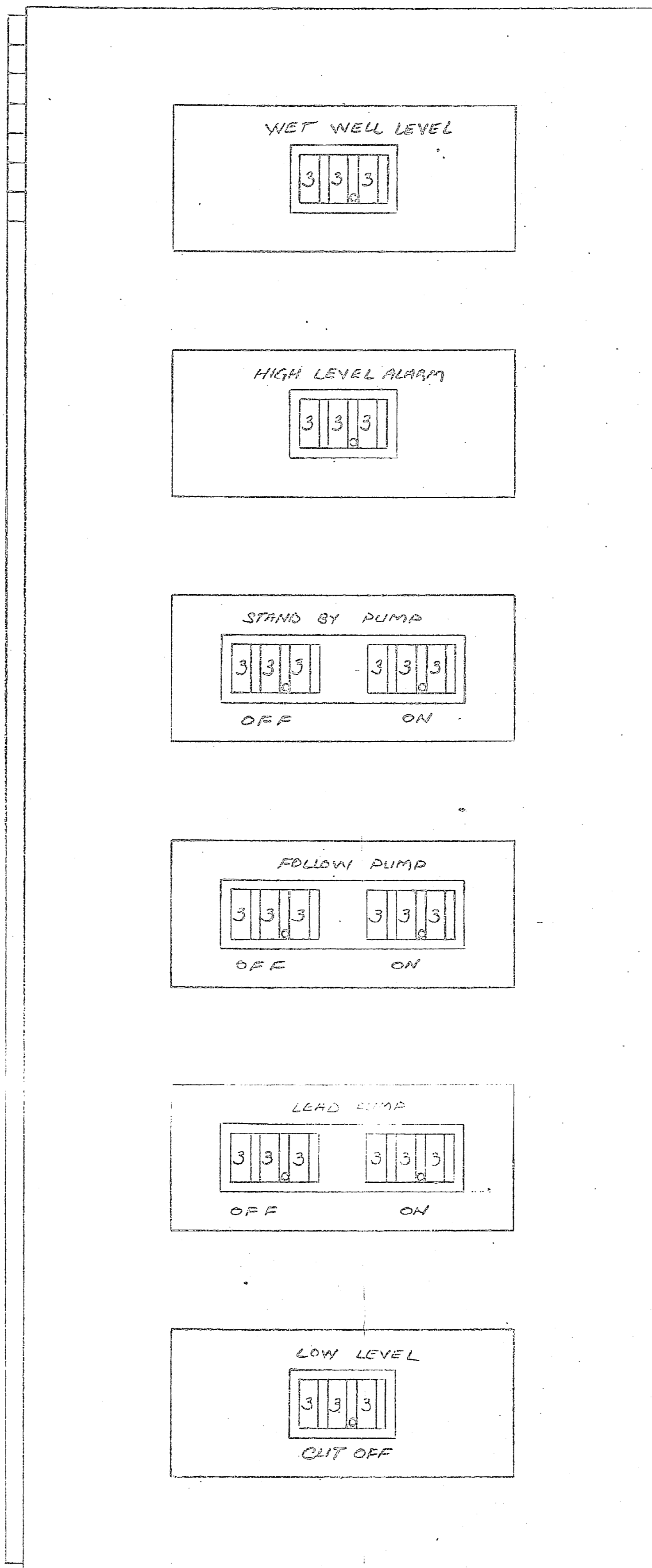
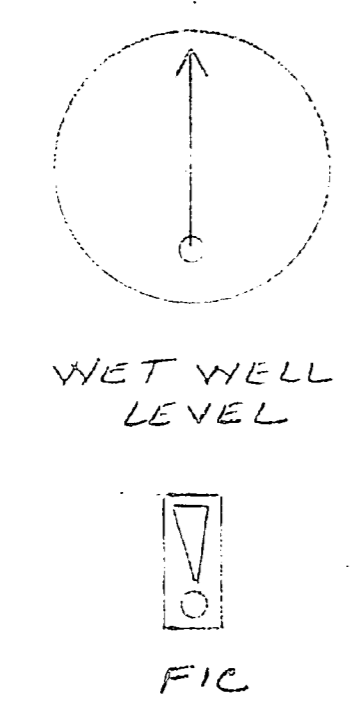
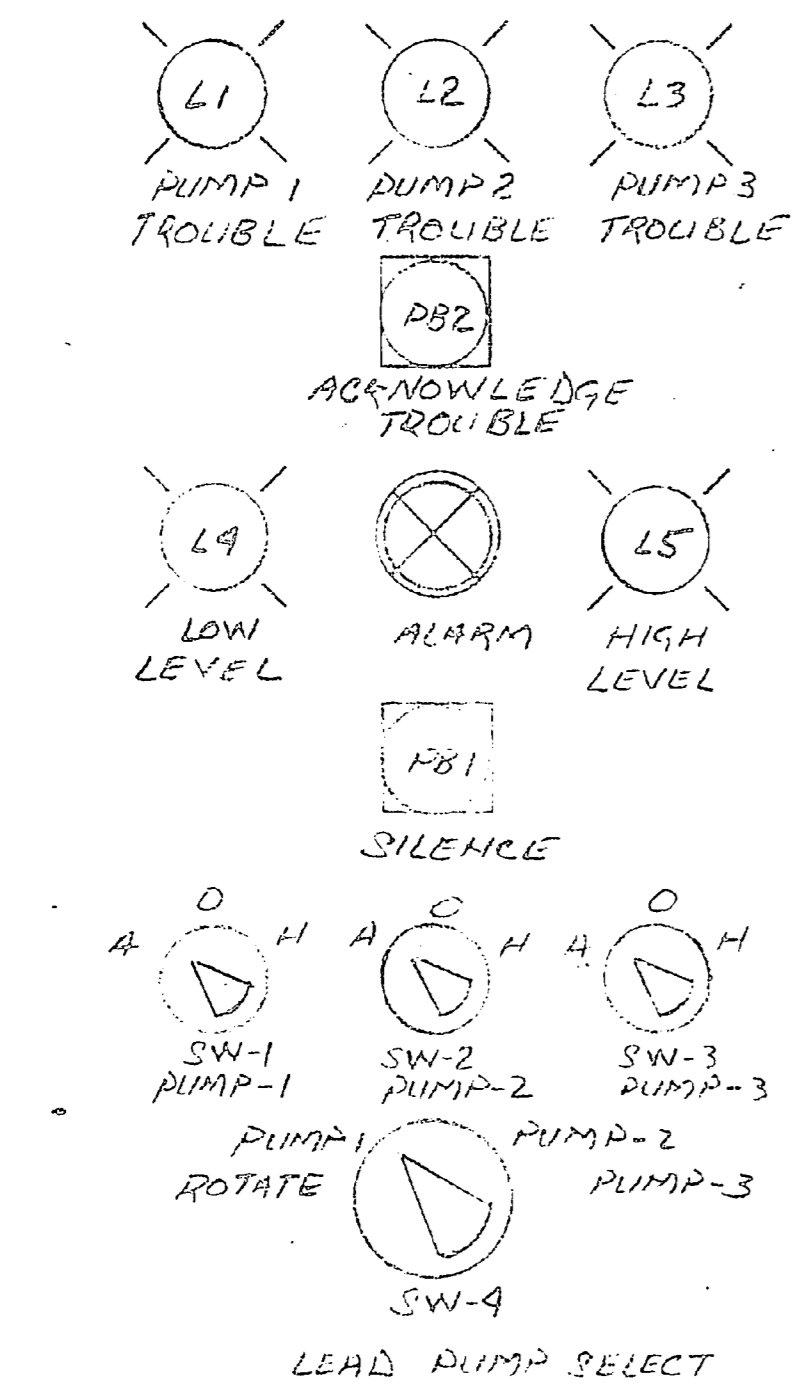
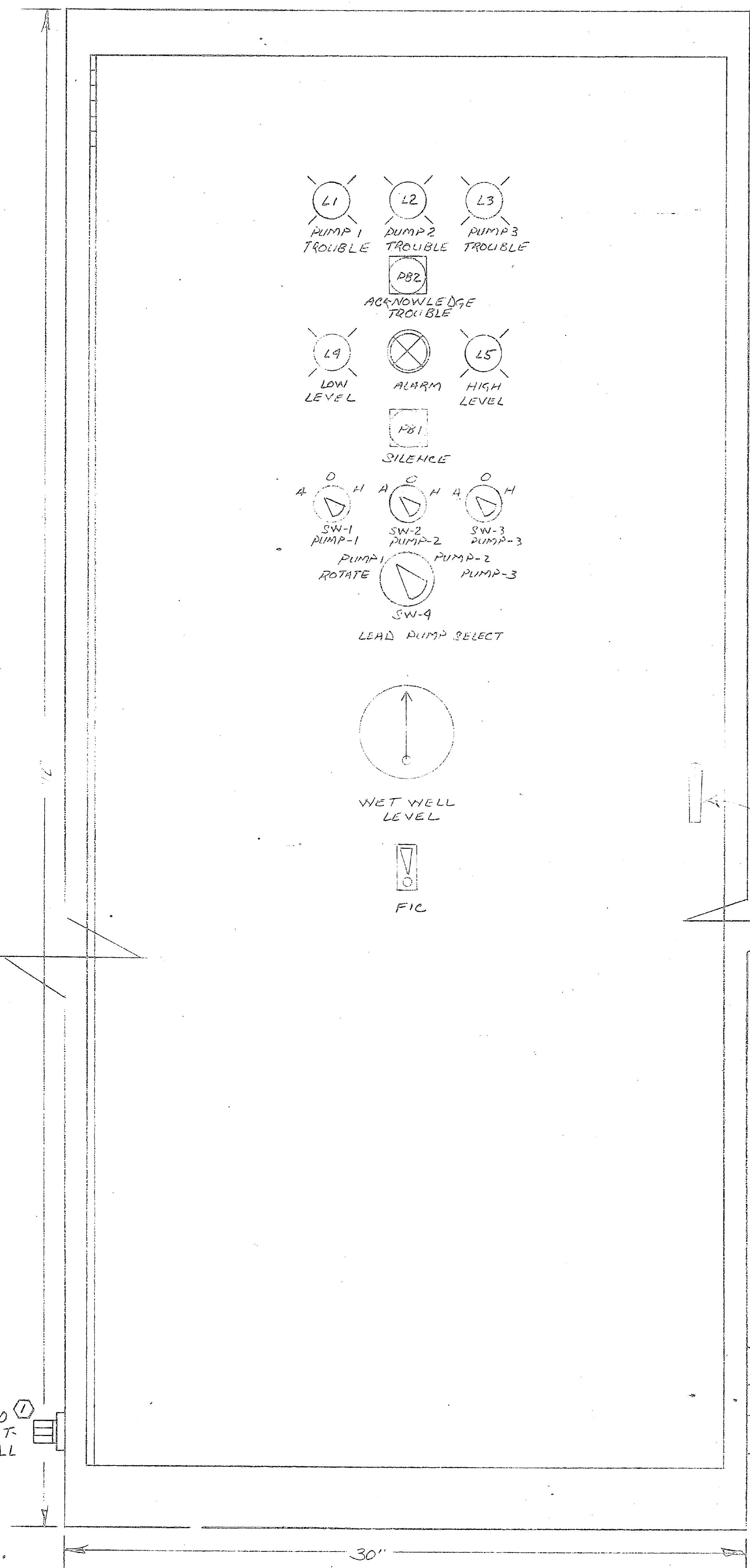


- BLUE +15 VDC
- ORANGE +12 VDC
- YELLOW +24 VDC
- PURPLE +5 VDC
- BROWN COMMON

REV 1	20 JAN 88	REVISED AS BUILT
SEWERAGE SYSTEM IMPROVEMENT CAMPA LESTERHIE NORTH CAROLINA		
SCALE: N/A	APPROVED BY:	DRAWN BY: D.G.R.
DATE: 5/2/88	REVISIONS:	
FRENCH CR PUMP STATION CONTROL PANEL WIRING DIAGRAM		
PROCESS CONTROL SERVICES SEAFORD VA 23686		PC-8761 2/6



PUMP CONTROL PANEL LAYOUT



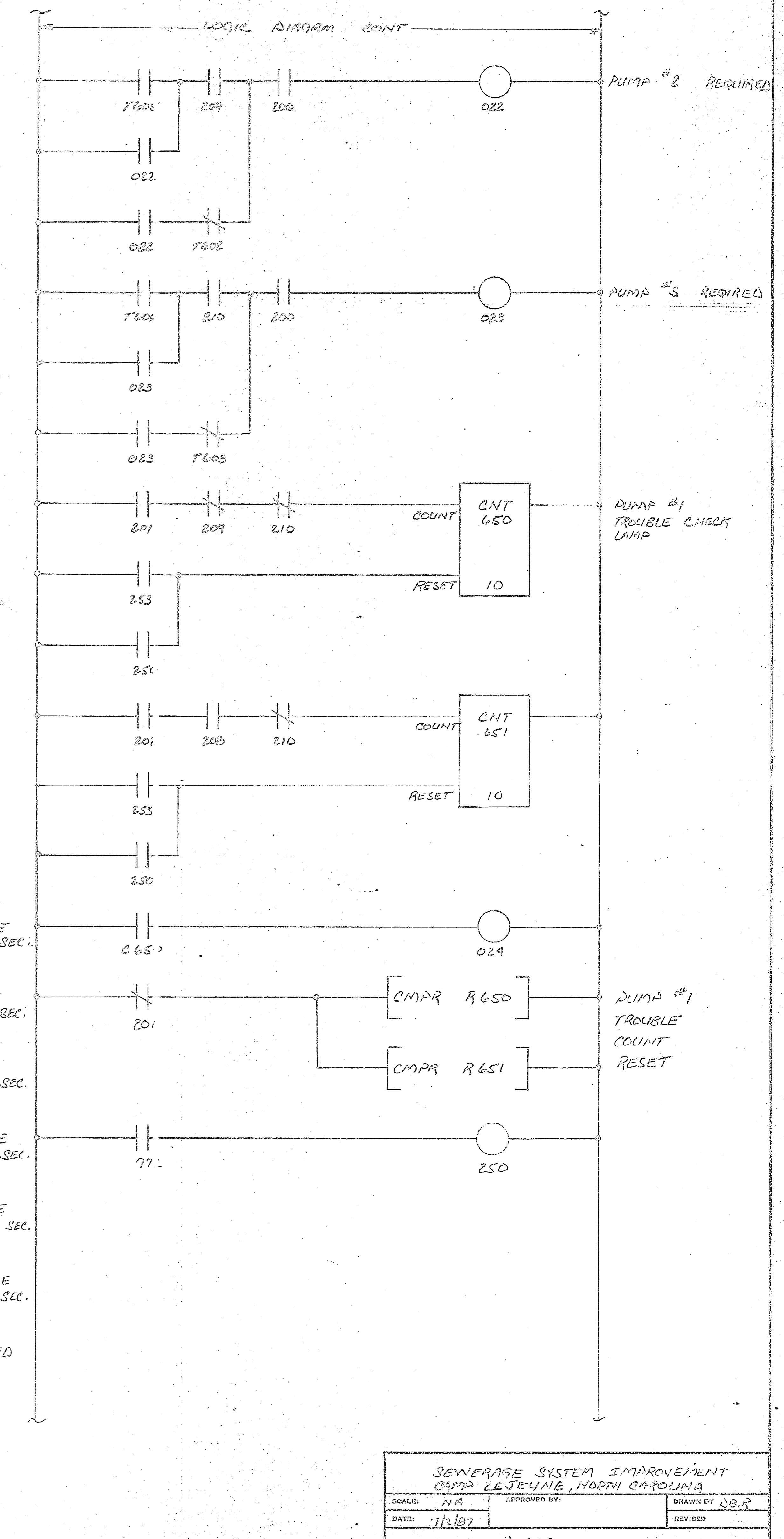
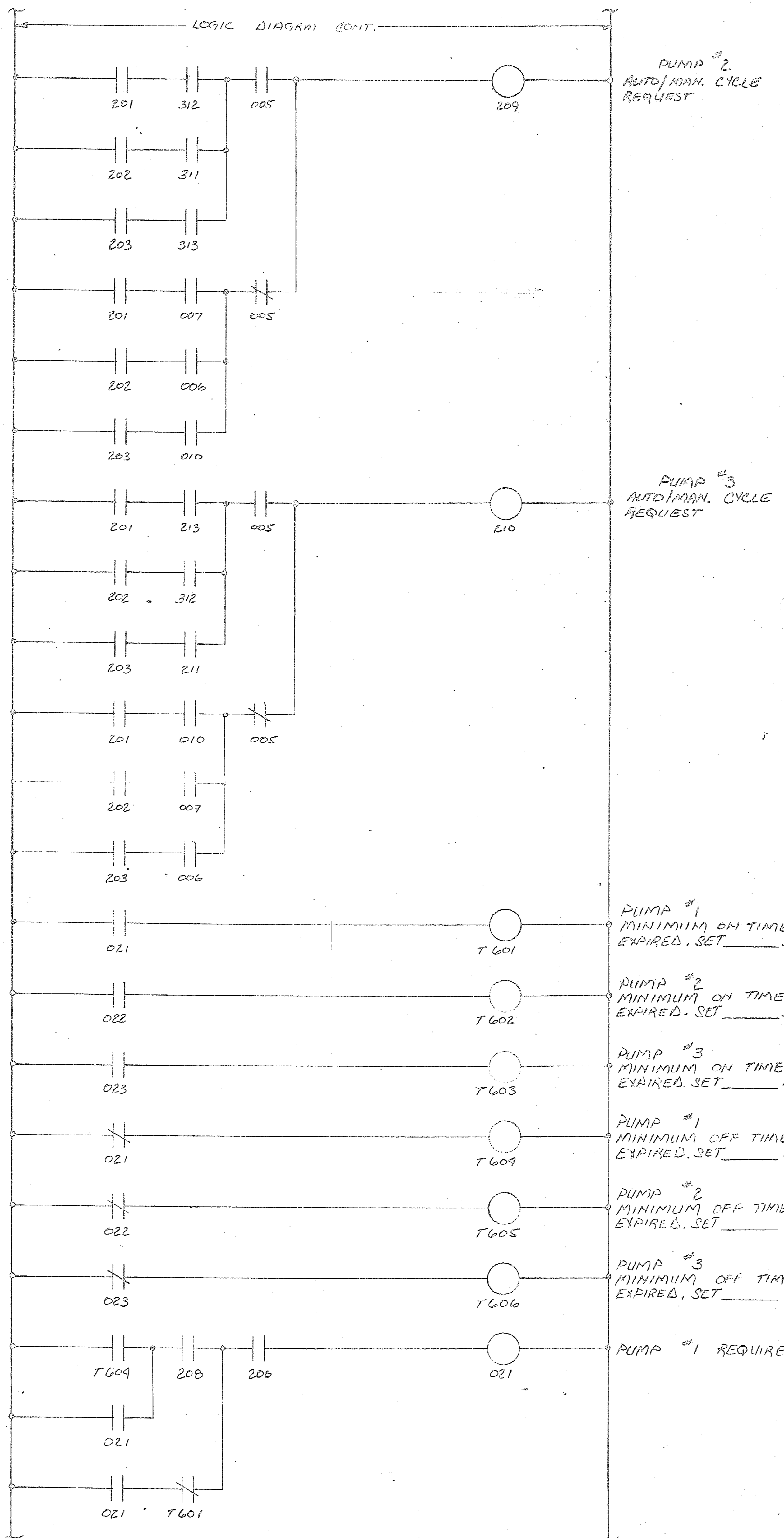
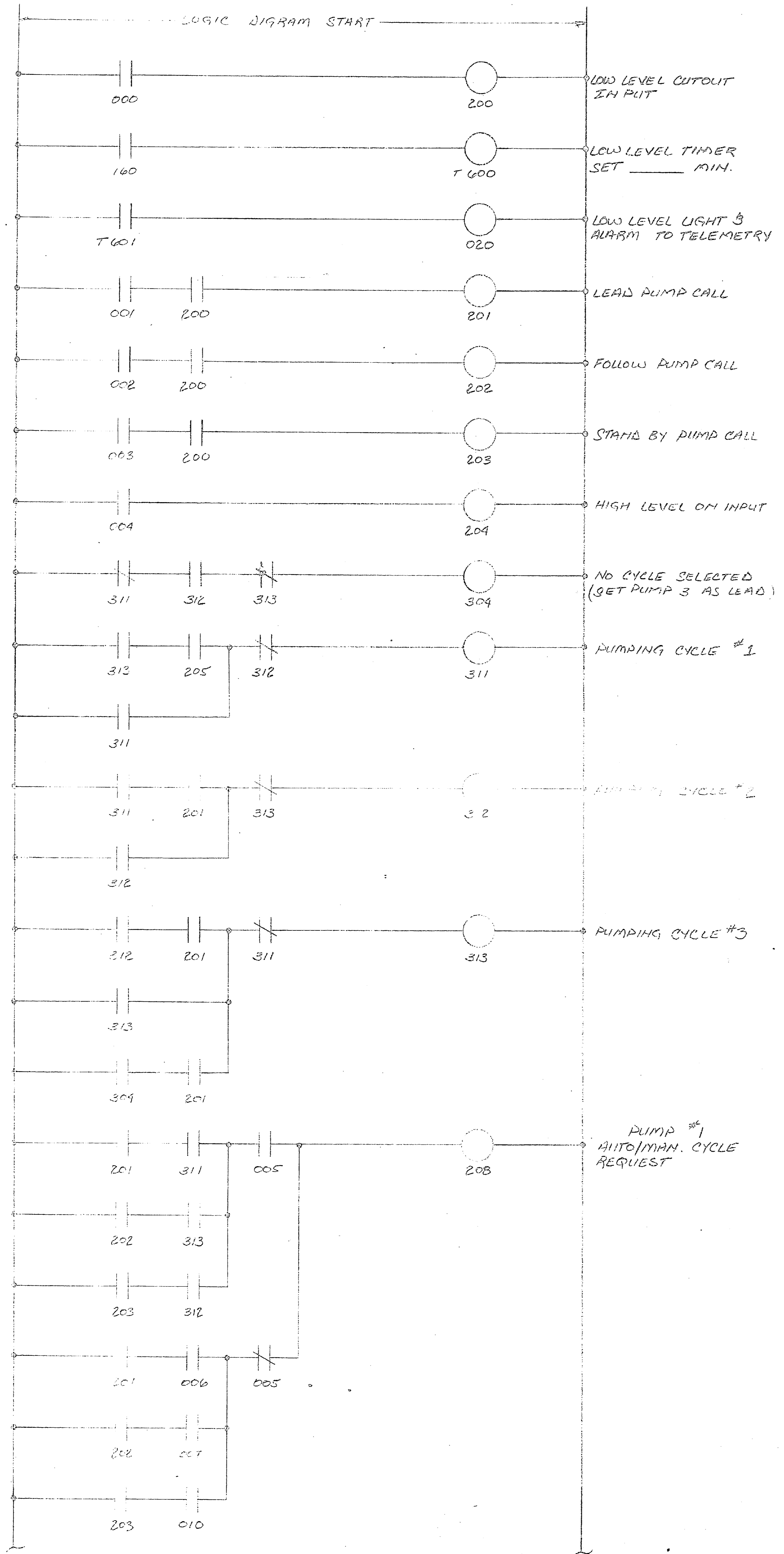
SET POINT PANEL
(INSIDE CONTROL PANEL)

BILL OF MATERIALS

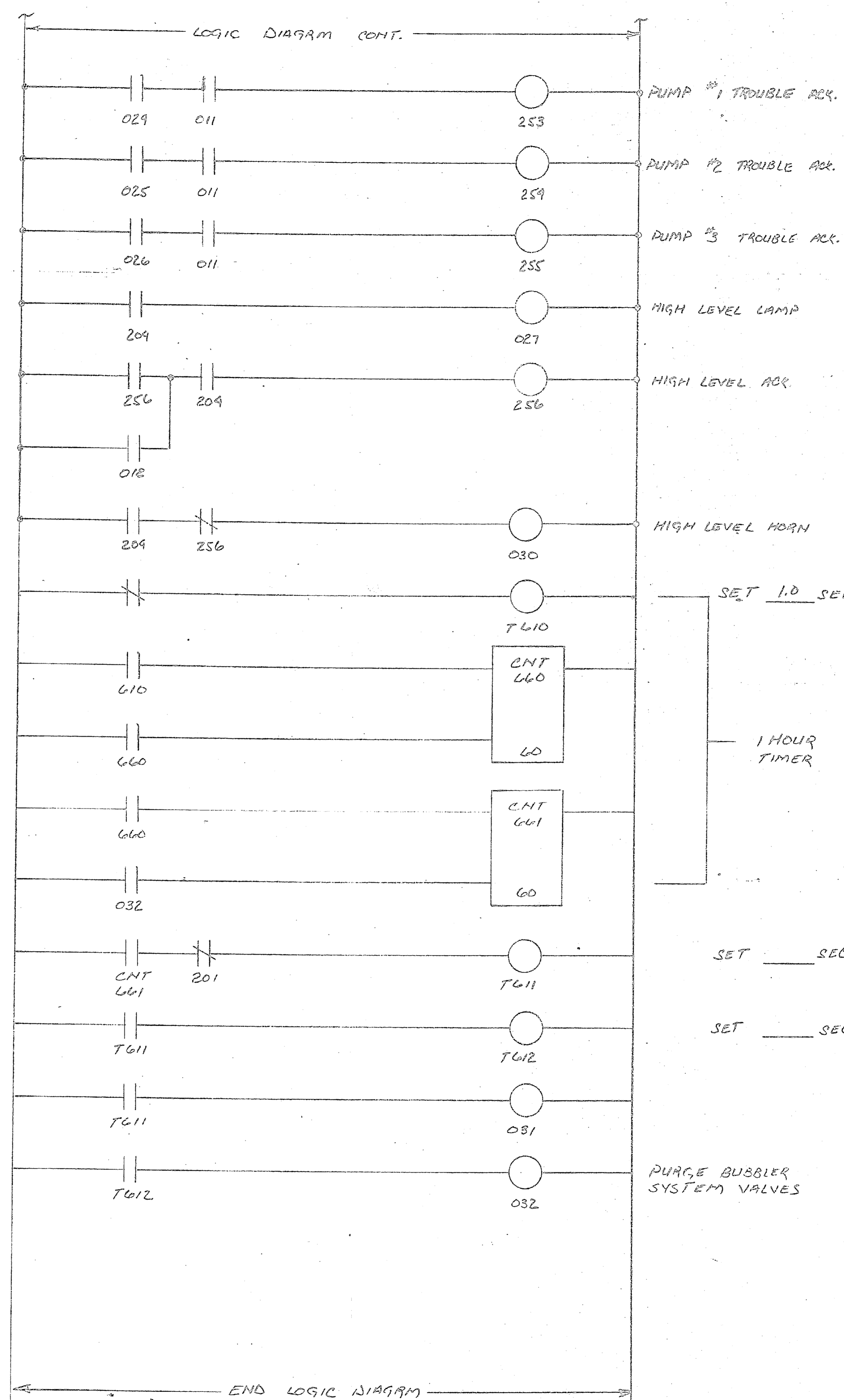
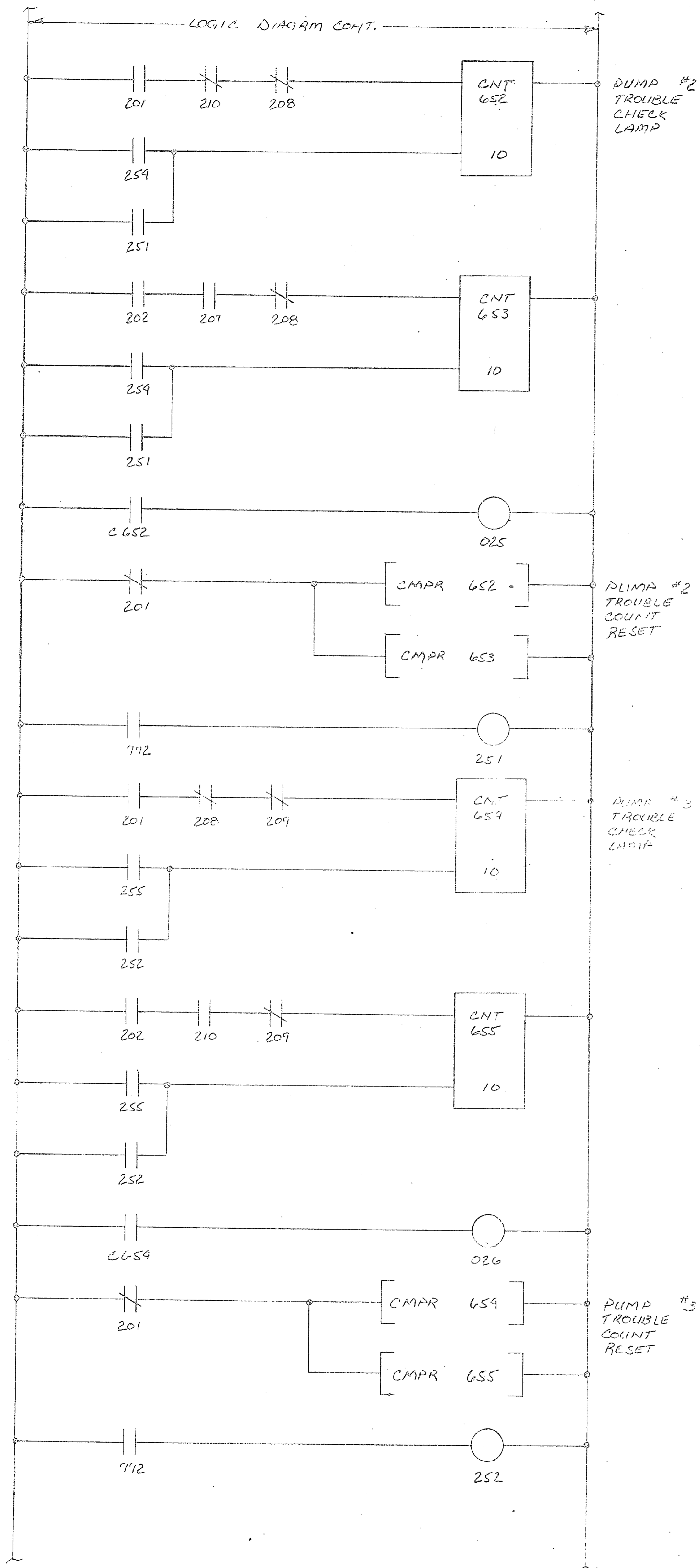
QTY	DESCRIPTION	QTY	PART NUMBER	REMARKS
1	177 AIR COMPRESSOR	1	10H-212-D12	
1	OUTER AIR FLOW CONTROL	1	VFA-38V	
1	ARO AIR FILTER	1	10012Y-000	
1	ARO REGULATOR	1	127121-300 W/00045 GAGE	
1	AQUATROL ALTERNATOR	1	AS041C04	
1	AQUATROL ANALOG/DIGITAL	1	A1021J	
1	SEKTRAK ANNUNCIATOR	1	A1400	
1	AQUATROL DIGITAL DISPLAY	1	D2002	
1	HAMMOND ENCLOSURE PUMP CO	1	1418X18 W/72XFW	
1	HAMMOND ENCLOSURE BLDG 22	1	1418S15	
1	MARSHALLTOWN GAUGE	1	603379 0 TO 100 IN H2O	
1	SIGNAL HORN	1	603380P PULSE 2500HZ	
1	245 PILOT LIGHT	5	DL8-9-X-24DC	
1	POWER MATE POWER SUPPLY	2	EMA-5B	
1	POWER MATE POWER SUPPLY	2	EMA-10/24DC	
1	GE PROGRAMMABLE CONTROLLER	1	IC610CPM105	
1	GE INPUT CARD	1	IC610MDL107	
1	GE OUTPUT CARD	1	IC610MDL107	
1	GE LCD PROGRAMMER	1	IC610PRG110 W/IC610PRG110	
1	SQUARE D PUSHBUTTON	5	KR1-2MS	
1	IDEC RELAYS	9	RR-3BU-24VDC	
1	SQUARE D SELECTOR 3POS	3	KS-435	
1	SQUARE D SELECTOR 4POS	1	KS-885	
1	AQUATROL SETPOINT SINGLE	2	A1004502	
1	AQUATROL SETPOINT DUAL	3	A1002502	
1	IND SOLENOID VALVE	2	112E-091-EN	
1	RODON MAGNETIC FLOW MTR	1	751A-1-A-3-2-1-E	
1	MORSEVELL RECORDER	1	453X1-D-000-00-0274, E	

REV 1	20 JAN 80	REVISED AS BUILT
SEWERAGE SYSTEM IMPROVEMENT CAMP LEJEUNE, NORTH CAROLINA		
SCALE: 1/8"	APPROVED BY:	DRAWN BY: DBP
DATE: 5/12/79	REVISED:	
PUMP STATION CONTROL PANEL LAYOUT		
PROCESS CONTROL SERVICES SEAFORD, VA 23696		DRAWING NUMBER PC-8701 1/6





SEWERAGE SYSTEM IMPROVEMENT			
CAMP LEJEUNE, NORTH CAROLINA			
SCALE: N/A	APPROVED BY:	DRAWN BY: D.B.R.	
DATE: 7/2/82		REVISED	
LOGIC DIAGRAM			
PROCESS CONTROL SERVICES			DRAWING NUMBER
SEAFORD, VA 23696			PC-8701 4/6



Programmable Controller Internal Coil Schedule

170 Ref. 9. Circuit Description

000	Low Level Cutout
001	Lead Pump Call
002	Follow Pump Call
003	Stand-By Pump Call
004	High Level Alarm
005	Pump #1 Auto/Man. Cycle Request
006	Pump #2 Auto/Man. Cycle Request
007	Pump #3 Auto/Man. Cycle Request
008	No Cycle Selected (Pump #3 Load)
009	Pumping Cycle #1
010	Pumping Cycle #2
011	Pumping Cycle #3
012	Pump #1 Trouble Count Reset
013	Pump #2 Trouble Count Reset
014	Pump #3 Trouble Count Reset
015	Pump #1 Trouble Ack.
016	Pump #2 Trouble Ack.
017	Pump #3 Trouble Ack.
018	High Level Ack.
019	Register 1 Register (1)

Programmable Controller Input Schedule

170 Ref. 8. Circuit Description

020	Low Level Cutout
021	Lead Pump Call
022	Follow Pump Call
023	Stand-By Pump Call
024	High Level
025	Auto Lead Pump Cycle Select
026	Pump #1 Load Cycle Select
027	Pump #2 Load Cycle Select
028	Pump #3 Load Cycle Select
029	Rel. Pump Trouble
030	Silence Horn
031	Rel. Pump Trouble
032	Silence Horn
033	Rel. Pump Trouble
034	Silence Horn
035	Rel. Pump Trouble
036	Silence Horn

Programmable Controller Timer Counter Schedule

170 Ref. 3. Circuit Description

T600	Pump #1 Trouble Check Lamp
T601	Pump #2 Trouble Check Lamp
T602	Pump #3 Trouble Check Lamp
T603	Pump #1 Trouble Check Lamp
T604	Pump #2 Trouble Check Lamp
T605	Pump #3 Trouble Check Lamp
T606	05 Second Counter
T607	1 Hour Counter Auto Bubbler Purge
T608	Low Level Alarm Delay ON
T609	Pump #1 Minimum ON Time Expired
T610	Pump #2 Minimum ON Time Expired
T611	Pump #3 Minimum ON Time Expired
T612	Pump #1 Minimum OFF Time Expired
T613	Pump #2 Minimum OFF Time Expired
T614	Pump #3 Minimum OFF Time Expired
T615	1.0 Second Timer
T616	Purge Valve #1 Off Delay Timer
T617	Purge Valve #2 Off Delay Timer

Programmable Controller Output Coil Schedule

170 Ref. 4. Circuit Description

037	Low Level Light & Telemetry Alarm
038	Pump #1 Required
039	Pump #2 Required
040	Pump #3 Required
041	Pump #1 Trouble Lamp
042	Pump #2 Trouble Lamp
043	Pump #3 Trouble Lamp
044	High Level Light & Telemetry Alarm
045	High Level Horn
046	Purge Bubbler Valve #1
047	Purge Bubbler Valve #2
048	Rel. Pump Trouble
049	Silence Horn
050	Rel. Pump Trouble
051	Silence Horn
052	Rel. Pump Trouble
053	Silence Horn

Programmable Controller Output Coil Schedule

170 Ref. 4. Circuit Description

054	Low Level Light & Telemetry Alarm
055	Pump #1 Required
056	Pump #2 Required
057	Pump #3 Required
058	Pump #1 Trouble Lamp
059	Pump #2 Trouble Lamp
060	Pump #3 Trouble Lamp
061	High Level Light & Telemetry Alarm
062	High Level Horn
063	Purge Bubbler Valve #1
064	Purge Bubbler Valve #2
065	Rel. Pump Trouble
066	Silence Horn
067	Rel. Pump Trouble
068	Silence Horn

SEWERAGE SYSTEM IMPROVEMENT
CAMP LESTERLINE, NORTH CAROLINA

SCALE: NA APPROVED BY: DRAWN BY: DBR

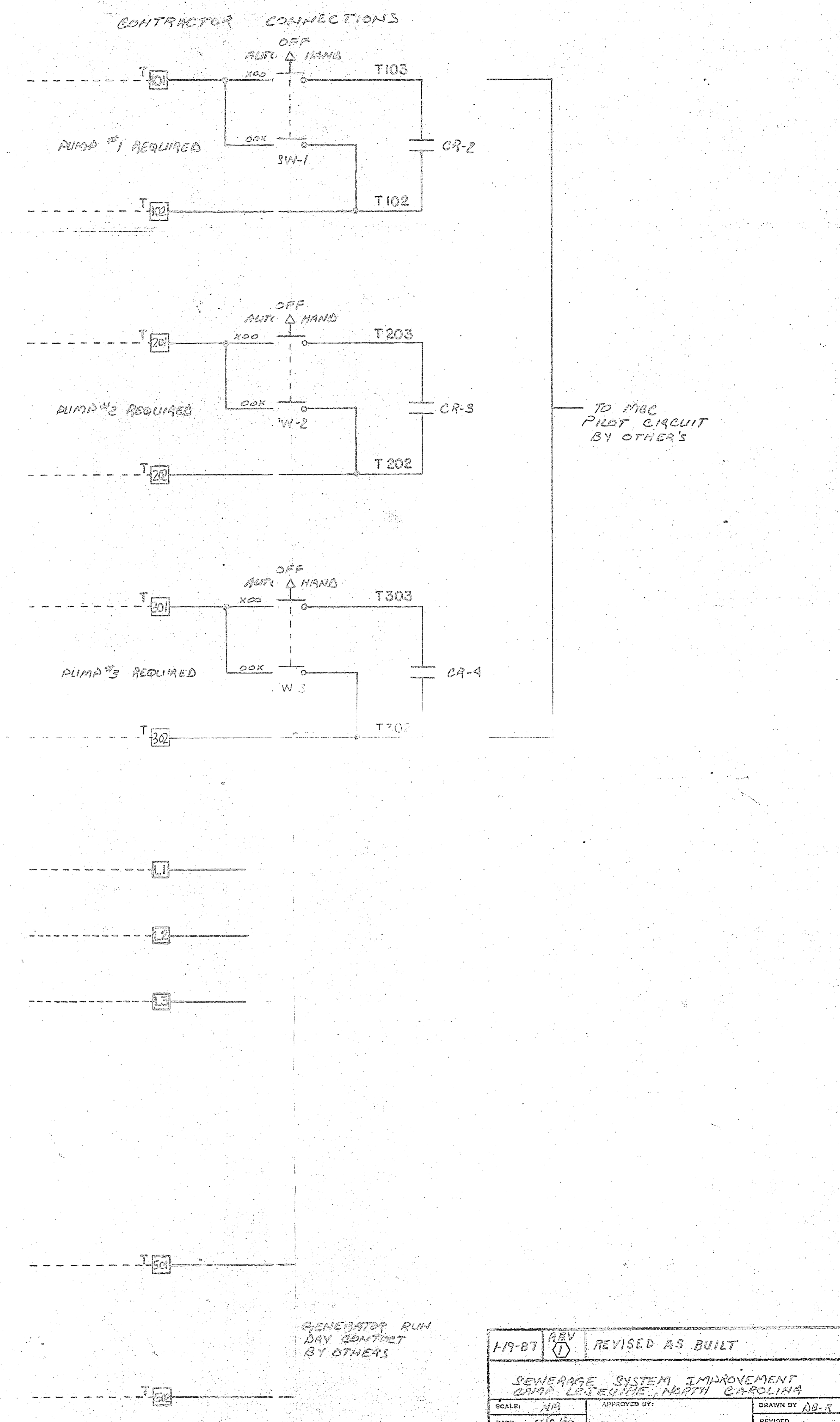
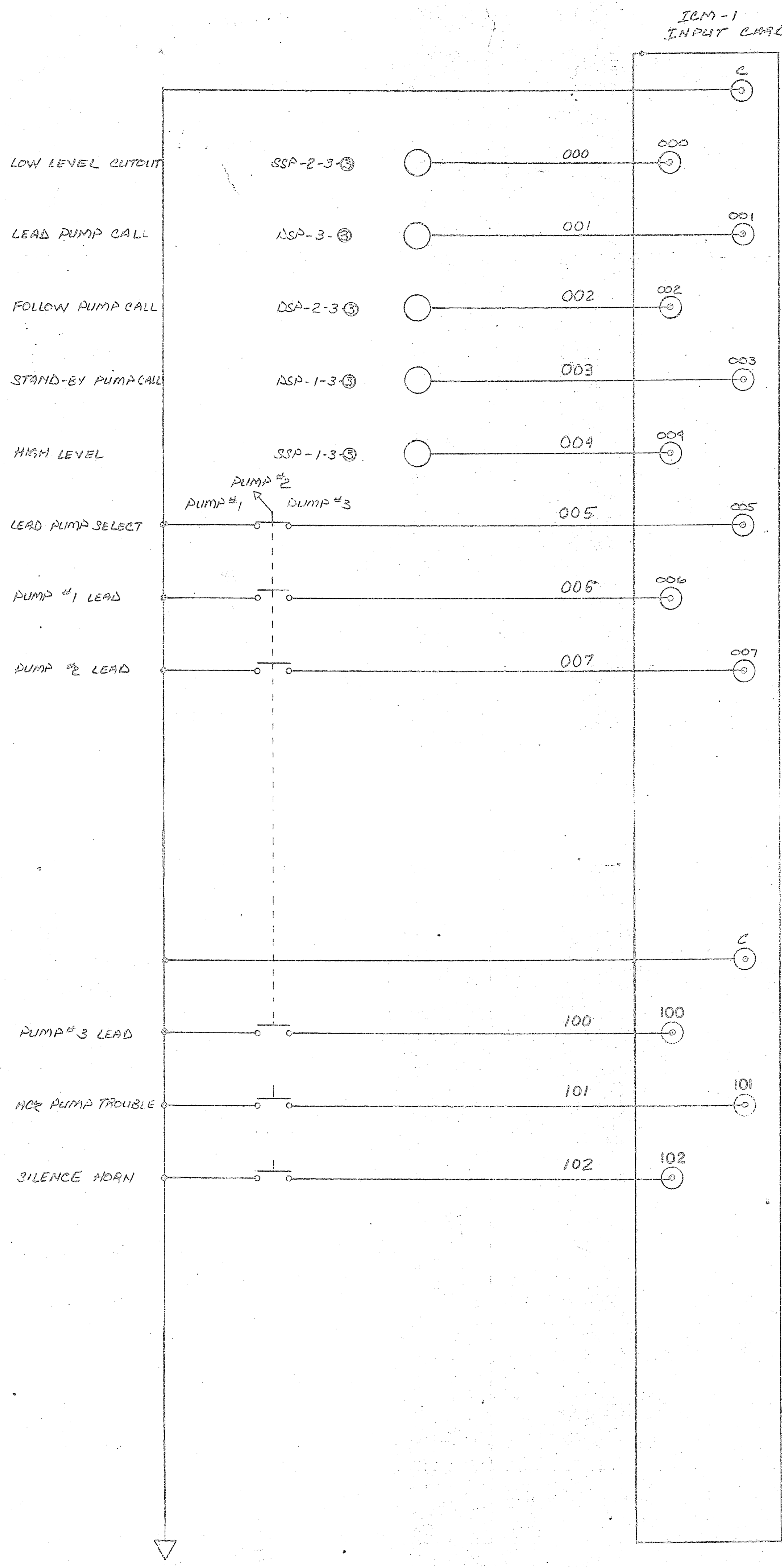
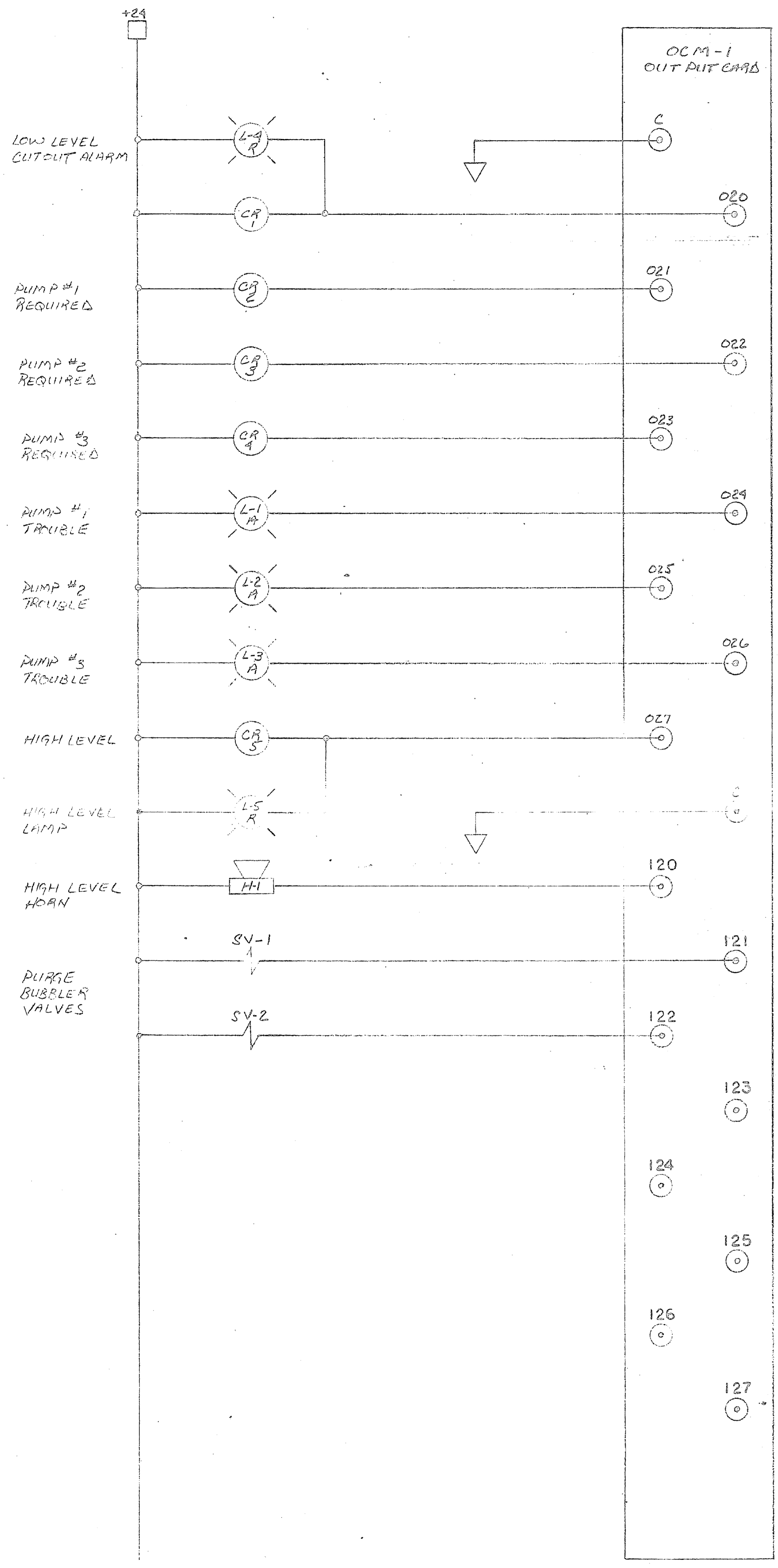
DATE: 7/2/87 REVISED:

LOGIC DIAGRAM

PROCESS CONTROL SERVICES
SPRING VA 23076

DRAWING NUMBER: PC-8701-6/1





119-87	REV 1	REVISED AS BUILT
SEWERAGE SYSTEM IMPROVEMENT CAMP LEVEE/PIE, NORTH CAROLINA		
SCALE: NA	APPROVED BY:	DRAWN BY: DB-R
DATE: 7/12/87		REVISED
PUMP-OUT PUT CABLE CONNECTIONS		
PROCESS CONTROL SERVICES SEASONS, VA 23696		DRAWING NUMBER PC-8701 9/86

