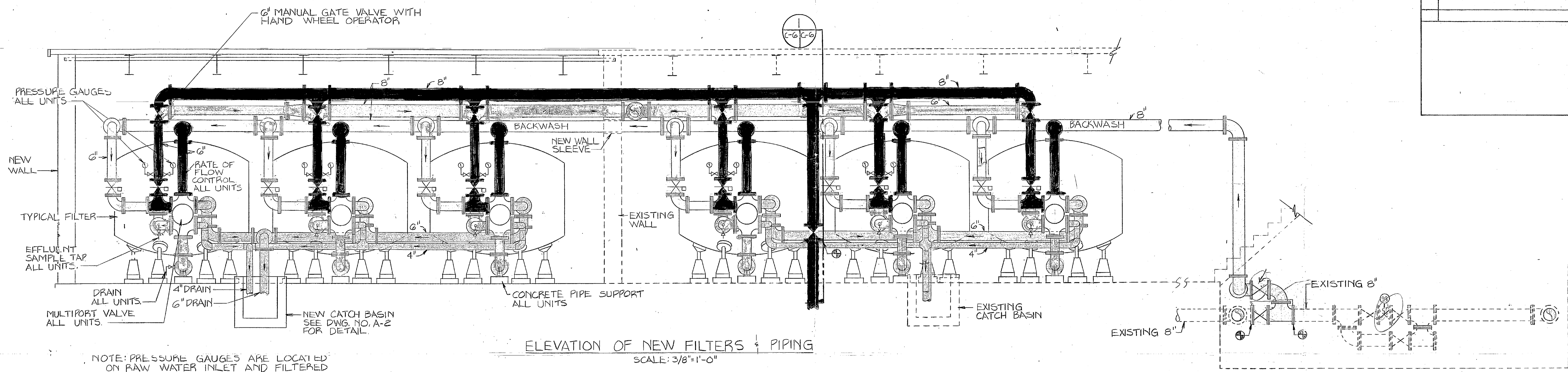
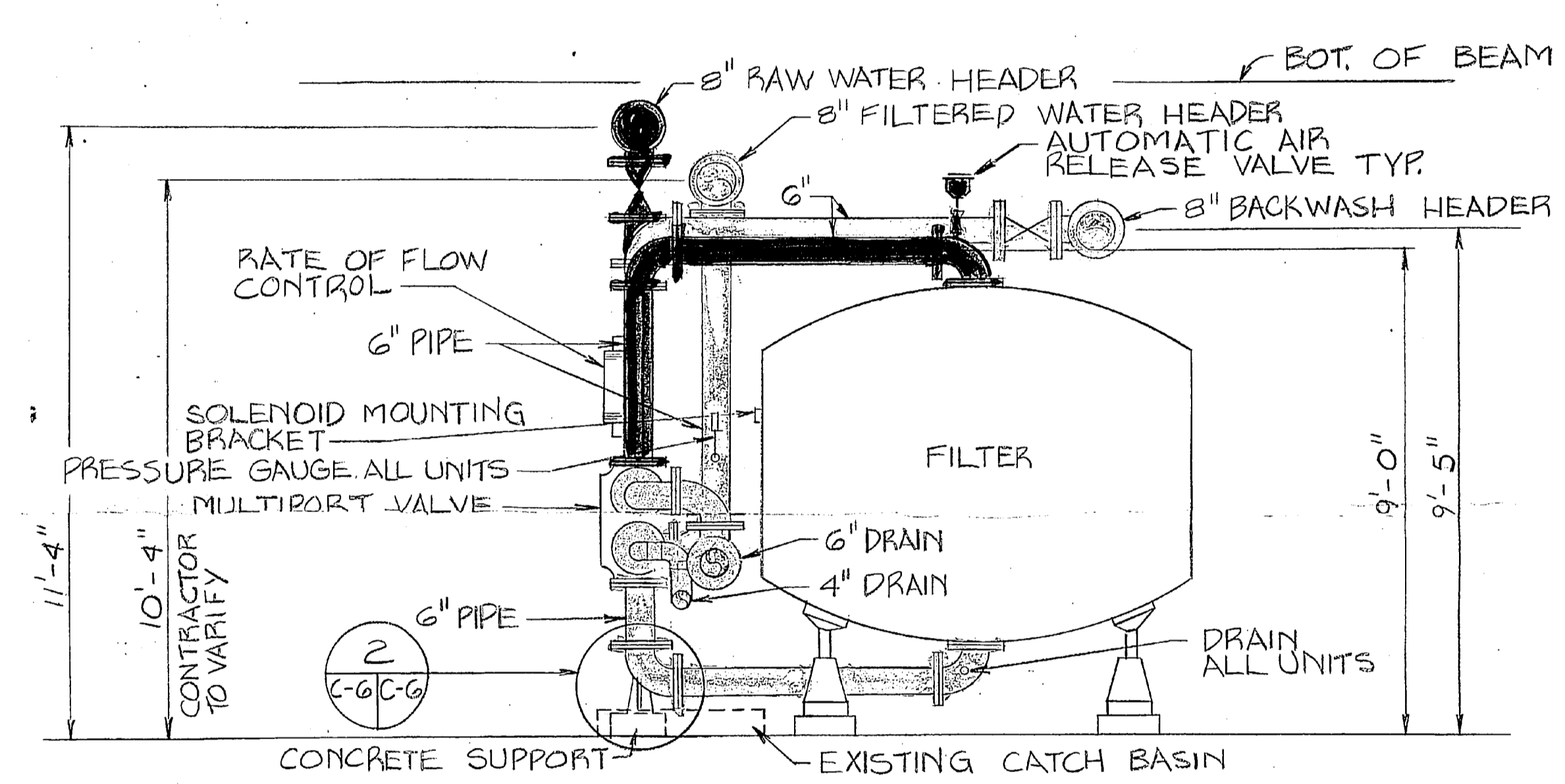


REVISIONS

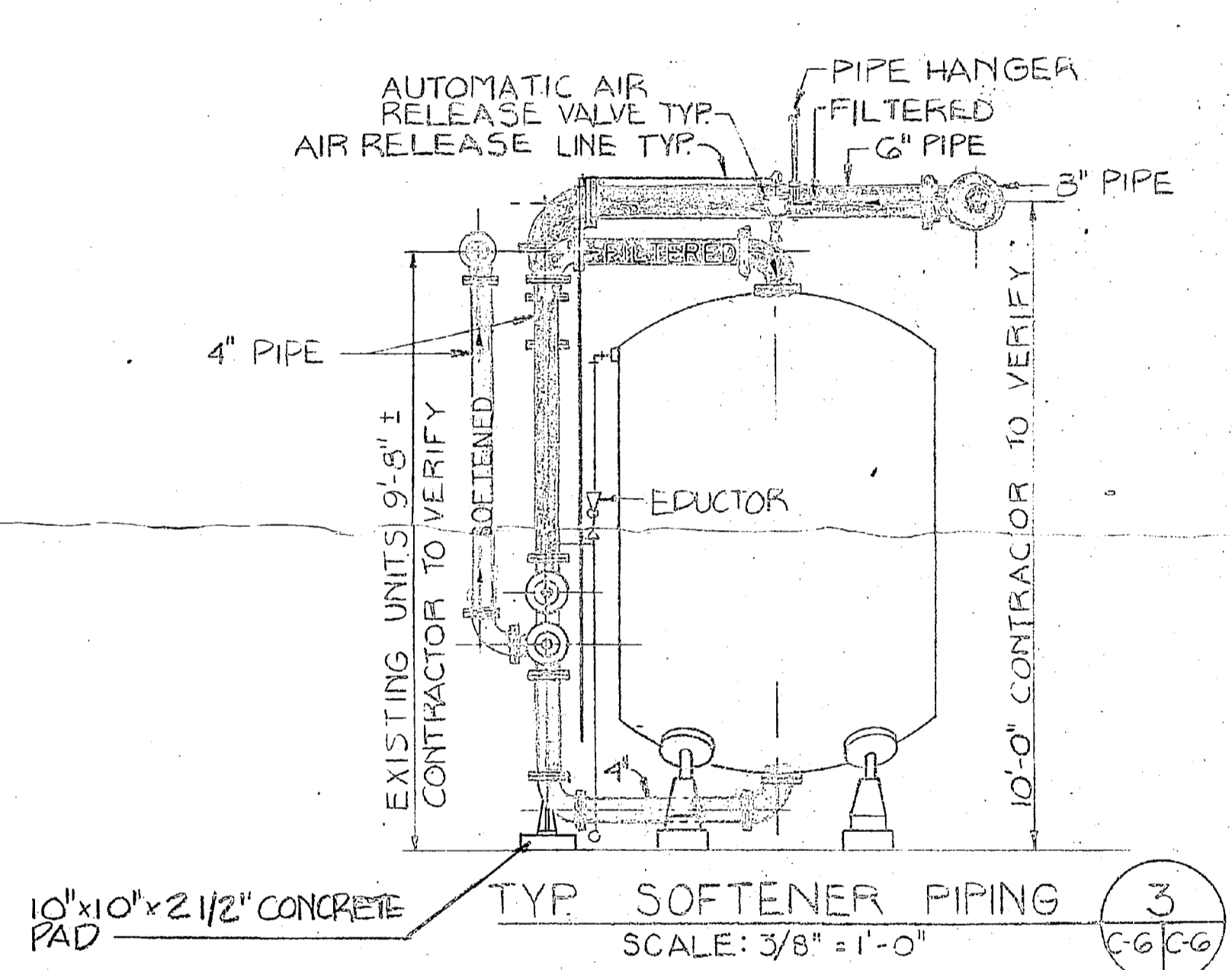
SYM	DESCRIPTION	DATE	APPROVED



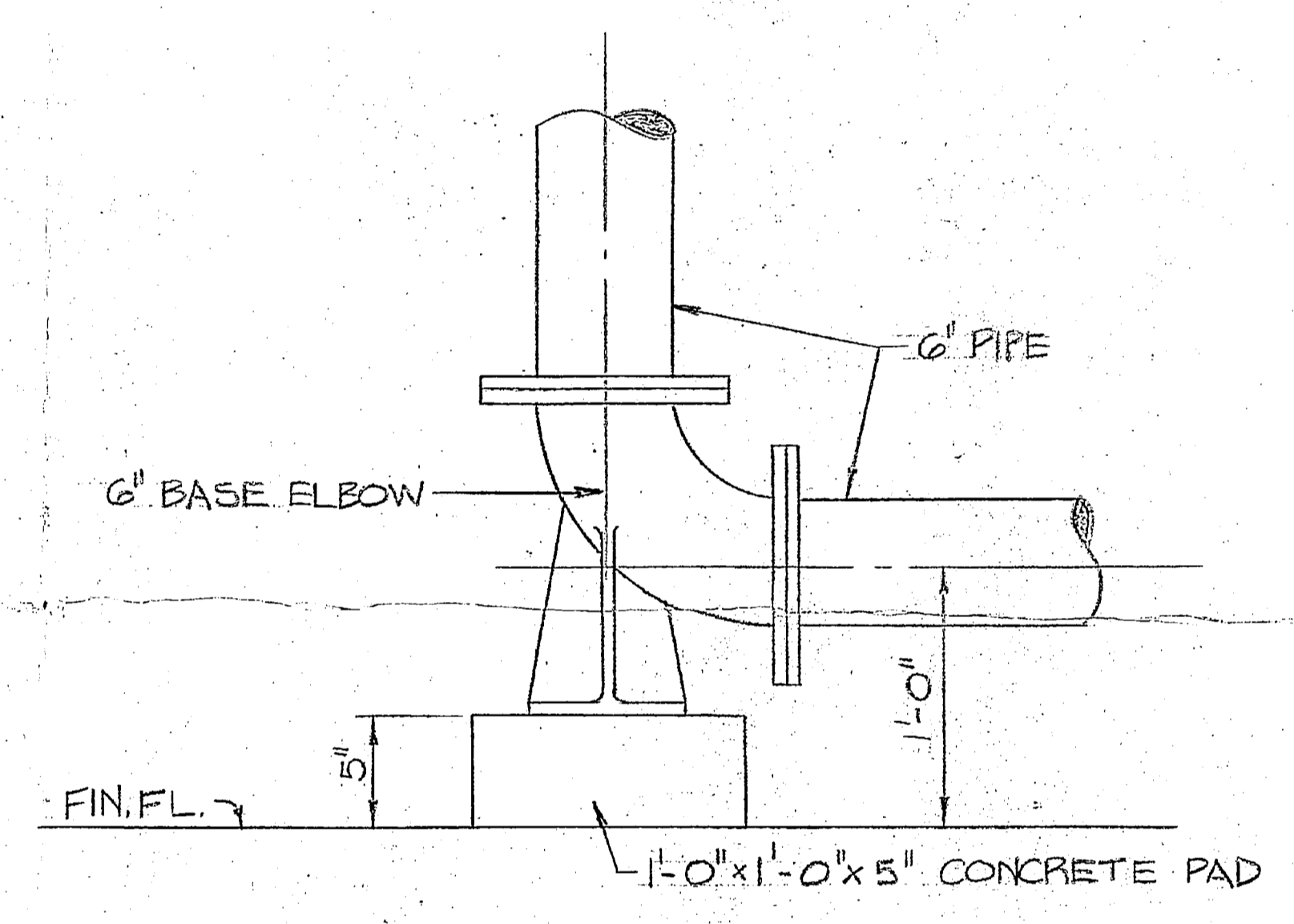
ELEVATION OF NEW FILTERS & PIPING
SCALE: 3/8"=1'-0"



NEW FILTER PIPING
SCALE: 3/8"=1'-0"



TYP. SOFTENER PIPING
SCALE: 3/8"=1'-0"

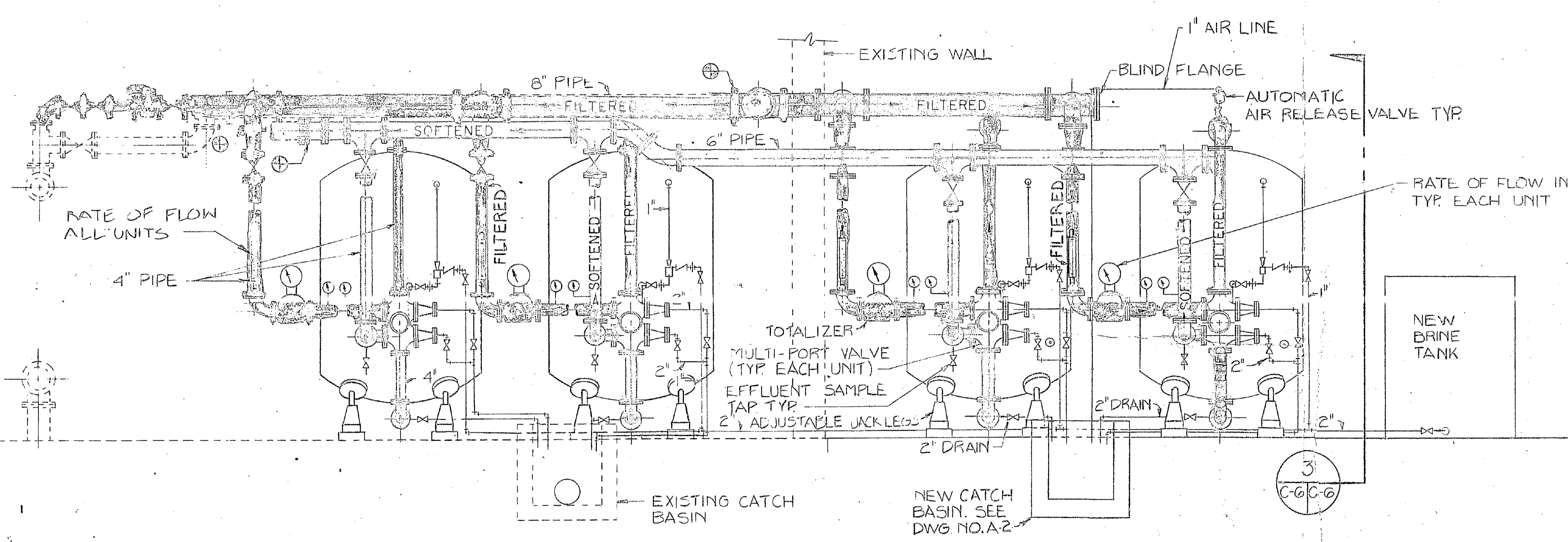


FILTER PIPE SUPPORT DETAIL
SCALE: 1/2"=1'-0"

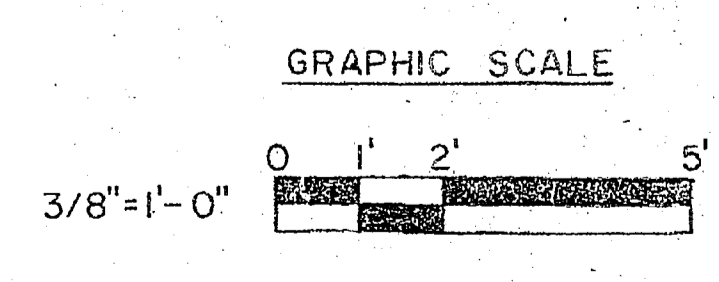
NOTE: CONCRETE PIPE SUPPORT FOR SOFTENERS IS TO BE 10'x10'x2 1/2"

LEGEND

- NEW GATE VALVE WITH HAND WHEEL OPERATOR
- NEW UNION
- NEW TEE
- NEW 90 BEND
- NEW INSPECTION PLUG
- NEW PRESSURE GAUGE
- NEW WELDED COUPLINGS
- POINT OF CONNECTION
- EXISTING PIPE & STRUCTURE
- NEW PIPE & STRUCTURE
- NEW AUTOMATIC BUTTERFLY VALVE
- NEW CHECK VALVE
- NEW EDUCTOR
- RAW
- FILTERED
- BACKWASH OR SOFTENED
- BACKWASH WATER DRAIN
- RINSE WATER DRAIN



ELEVATION OF NEW SOFTENERS AND PIPING
SCALE: 3/8"=1'-0"



L.E. WOOTEN & COMPANY CONSULTING ENGINEERS RALEIGH, NORTH CAROLINA		DEPARTMENT OF THE NAVY NAVAL FACILITIES ENGINEERING COMMAND	
		ATLANTIC DIVISION MARINE CORPS BASE, CAMP LEJEUNE, N.C.	
PROJ. NO. 00-011 SUBMITTED BY DATE FIRM MEMBER PVD NO. 1000	CH. ENGR. PRINCIPAL	NAVY STATION NAVFAC DRAWING NO.	C-6
APPROVED DATE OFFICER IN CHARGE DATE	APPROVED DATE	SIZE CODE IDENT NO. F 80091	SHEET NO. 02
FOR FED. FOR. COMMANDER NAVFAC		SCALES AS NOTED SPEC. 05-BI-147B	SHEET NO.

