

BACHELOR ENLISTED QUARTERS

NAVAL HOSPITAL CAMP LEJEUNE, N.C.

REVISIONS		
NO.	DESCRIPTION	DATE

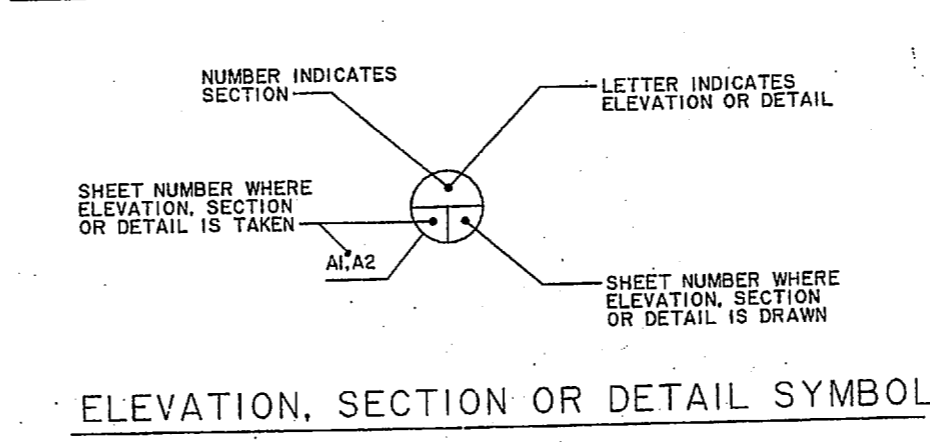
LIST OF DRAWINGS

SHEET NO.	EFD NO.	NAVFAC NO.	TITLE	SHEET NO.	EFD NO.	NAVFAC NO.	TITLE
T-1	257723	4157723	TITLE, LOCATION AND VICINITY MAPS, INDEX OF DRAWINGS, ABBREVIATIONS	P-1	257760	4157760	PLUMBING FLOOR PLANS
C-1	257724	4157724	PLAN - NEW ROAD	P-2	257761	4157761	PLUMBING RISER DIAGRAMS
C-2	257725	4157725	SITE PLAN	P-3	257762	4157762	PARTIAL FLOOR PLANS
C-3	257726	4157726	PARTIAL SITE PLAN & DETAILS	P-4	257763	4157763	SCHEDULES & DETAILS
C-4	257727	4157727	ROAD CENTERLINE PROFILE & SECTIONS	M-1	257764	4157764	MECHANICAL FLOOR PLAN
C-5	257728	4157728	STORM & SANITARY SEWER CENTERLINE PROFILES	M-2	257765	4157765	PARTIAL FLOOR PLANS
C-6	257729	4157729	SEWAGE PUMP STATION	M-3	257766	4157766	MECHANICAL ROOM PLAN
C-7	257730	4157730	DETAILS	M-4	257767	4157767	SECTIONS
C-8	257731	4157731	DETAILS	M-5	257768	4157768	DETAILS
C-9	257732	4157732	DETAILS	M-6	257769	4157769	MISC. SECTIONS & DETAILS
C-10	257733	4157733	WATER METER DETAILS	M-7	257770	4157770	CONTROLS
C-11	257734	4157734	EROSION CONTROL DETAILS	M-8	257771	4157771	CONTROLS
C-12	257735	4157735	CROSS SECTIONS - NEW ROAD	M-9	257772	4157772	MECHANICAL SCHEDULES
B-1	257736	4157736	SOIL BORINGS	E-1	257773	4157773	LEGEND & FIXTURE SCHEDULE
L-1	257737	4157737	PLANTING PLAN, SCHEDULE & DETAILS	E-2	257774	4157774	FIRST FLOOR ELECTRICAL PLAN
A-1	257738	4157738	FIRST FLOOR PLAN	E-3	257775	4157775	SECOND FLOOR PLAN, ELECTRICAL
A-2	257739	4157739	SECOND FLOOR PLAN	E-4	257776	4157776	1ST & 2ND FLOOR CORE POWER PLANS
A-3	257740	4157740	ELEVATIONS	E-5	257777	4157777	1ST & 2ND FLOOR CORE LIGHTING PLANS
A-4	257741	4157741	LARGE ROOM PLANS	E-6	257778	4157778	TYPICAL ROOM ELECTRICAL PLANS
A-5	257742	4157742	LARGE CORE PLANS	E-7	257779	4157779	CORE ROOF & ENLARGED MECH. RM. PLANS
A-6	257743	4157743	BUILDING SECTIONS, DETAILS	E-8	257780	4157780	PANEL SCHEDULES
A-7	257744	4157744	HANDRAIL DETAILS, WALL SECTIONS	E-9	257781	4157781	PANEL SCHEDULES
A-8	257745	4157745	STAIR PLANS, SECTIONS & DETAILS	E-10	257782	4157782	POWER & INTERCOM RISER DIAGRAMS
A-9	257746	4157746	STAIR DETAILS	E-11	257783	4157783	CATV, TEL., & F.A. RISER DIAGRAM
A-10	257747	4157747	DOOR SCHEDULE & DETAILS	E-12	257784	4157784	EXIT LIGHT RISER & LIGHTING CONTROL DIAGRAMS
A-11	257748	4157748	PARTIAL ELEVATION, STOREFRONT DETAILS	E-13	257785	4157785	LIGHTING FIXTURE PLATES & DETAILS
A-12	257749	4157749	ROOF PLAN & DETAILS	E-14	257786	4157786	LIGHTING FIXTURE PLATES & DETAILS
A-13	257750	4157750	REFLECTED CEILING PLAN, MISC. DETAILS	E-15	257787	4157787	POLE PLATES
A-14	257751	4157751	INTERIOR ELEVATIONS, DETAILS	E-16	257788	4157788	POLE & HANDHOLE PLATES
S-1	257752	4157752	FIRST FLOOR & FOUNDATION PLAN	E-17	257789	4157789	ELECTRICAL SITE PLAN
S-2	257753	4157753	SECOND FLOOR PLAN	E-18	257790	4157790	TELEPHONE SITE PLAN
S-3	257754	4157754	ROOF PLAN				
S-4	257755	4157755	SECOND FLOOR DETAILS				
S-5	257756	4157756	FOUNDATION DETAILS				
S-6	257757	4157757	ROOF DETAILS				
S-7	257758	4157758	STAIR & MISCELLANEOUS DETAILS				
S-8	257759	4157759	BALCONY & PARAPET DETAILS				

ABBREVIATIONS

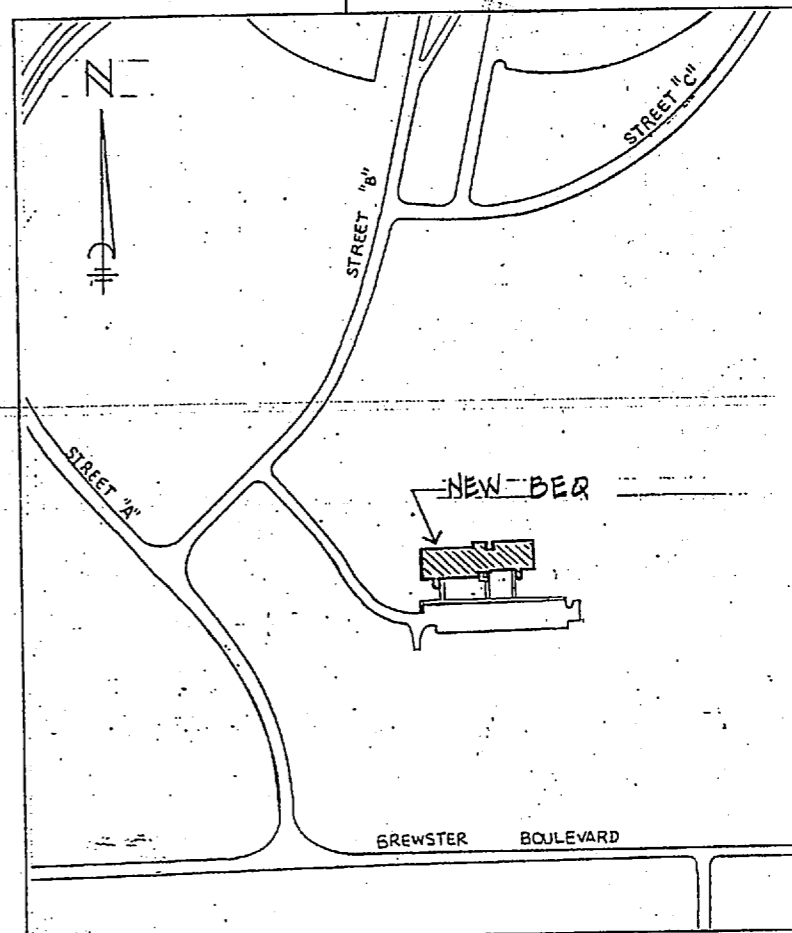
B	AND	BALC.	BALCONY
BLKG	BLOCKING		
B.E.J.	BRICK EXPANSION JOINT		
C	CENTERLINE		
CLG	CEILING		
CONC	CONCRETE		
CT	CERAMIC TILE		
DIA	DIAMETER	E.W.C.	ELECTRIC WATER COOLER
DN	DOWN	ELECT.	ELECTRICAL
ELAS	ELASTOMERIC	F.E.C.	FIRE EXTINGUISHER CABINET
FIN	FINISHED		
FL	FLOOR		
GWB	GYPSUM WALLBOARD	J.C.	JANITOR'S CLOSET
HD	HEAD	LAUN	LAUNDRY
HM	HOLLOW METAL	MECH	MECHANICAL
HT	HEIGHT		
MAX	MAXIMUM		
MTD	MOUNTED	N.I.C.	NOT IN CONTRACT
MTL	METAL		
O.C.	ON CENTER		
OPNG	OPENING		
PDN	POWER DRIVEN NAILS		
PTD	PAPER TOWEL DISPENSER, PAINTED	PRIV.	PRIVATE
QT	QUARRY TILE		
R	RISER		
SAT	SUSPENDED ACOUSTIC TILE		
SC	SOLID CORE		
SCHED	SCHEDULE		
SF	SQUARE FEET	STOR.	STORAGE
TEMP	TEMPORARY	T, TOIL.	TOILET
TPH	TOILET PAPER HOLDER		
TYP	TYPICAL		
VCT	VINYL COMPOSITION TILE		
W/	WITH		
WD	WOOD		

LEGEND

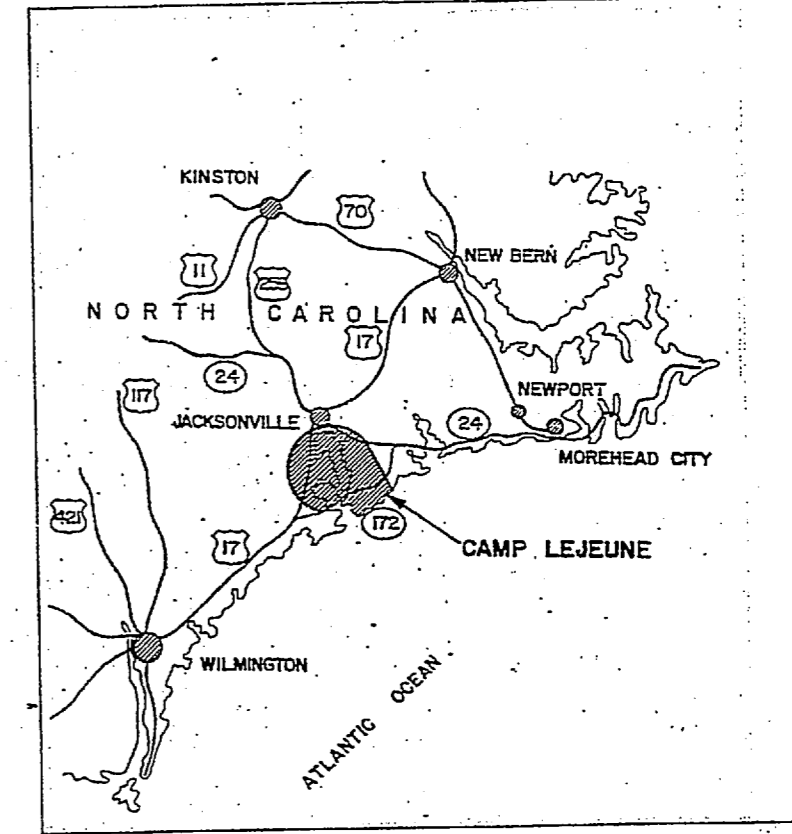


	CONCRETE		ROOM NUMBER
	BRICK		DOOR NUMBER (SEE DOOR SCHEDULE SHEET A-10)
	RIGID INSULATION		HANDRAIL TYPES (SEE SHEET A-7)
	BATT INSULATION		

QUALITY CONTROL REVIEW
Elmer D. ... 3/19/87
 SIGNATURE DATE



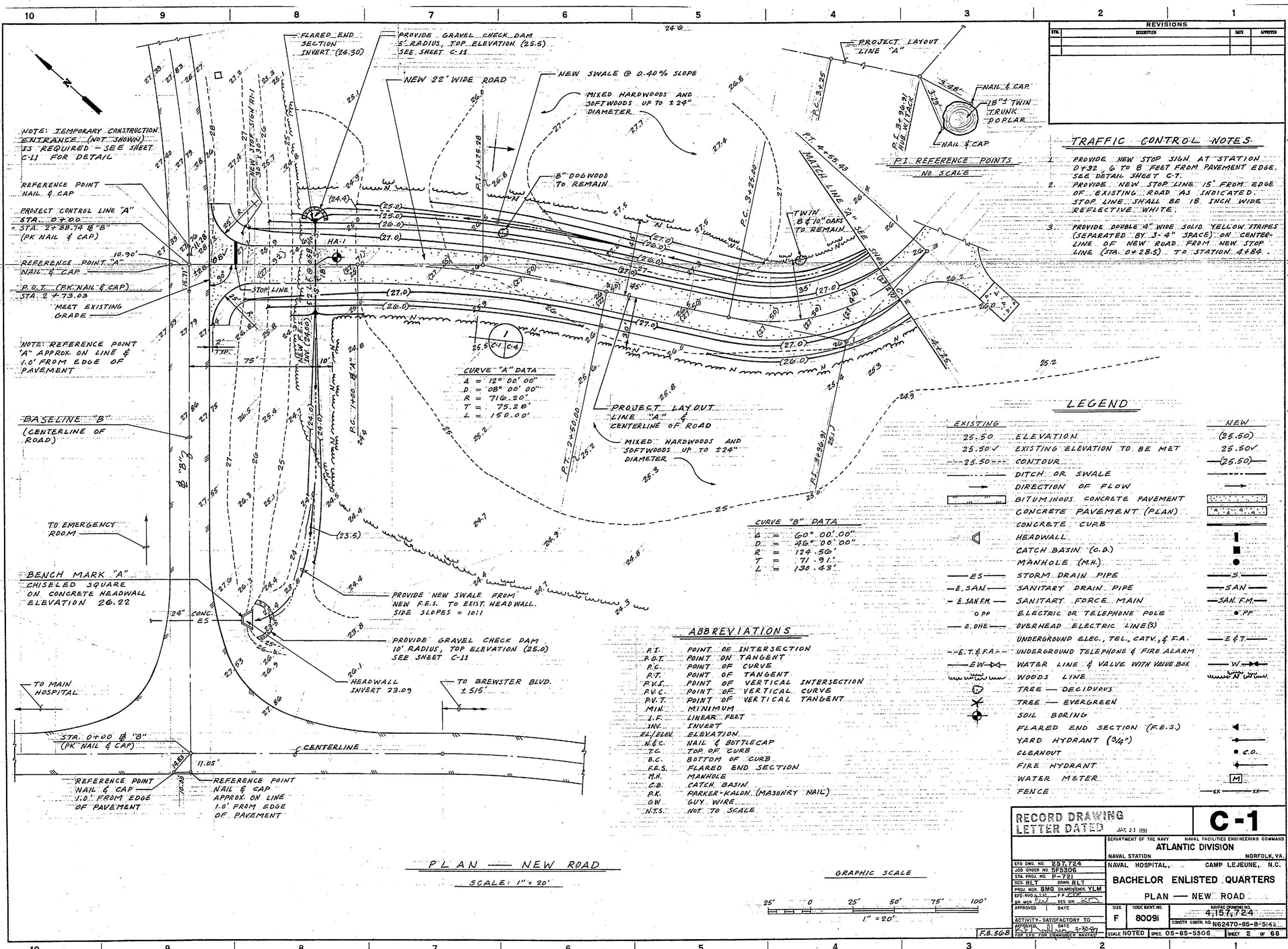
LOCATION MAP
NOT TO SCALE



VICINITY MAP
NOT TO SCALE

RECORD DRAWING LETTER DATED 11/11/81		T-1	
DEPARTMENT OF THE NAVY NAVAL SYSTEMS		NAVAL FACILITIES ENGINEERING DIVISION	
NAVAL HOSPITAL		CAMP LEJEUNE, N.C.	
BACHELOR ENLISTED QUARTERS			
TITLE, LOCATION AND VICINITY MAPS, INDEX OF DRAWINGS, ABBREVIATIONS		DRAWING NO. 4157723	
F 80091		SCALE NOTED	
ACTIVITY SATISFACTORY TO		DATE 3/19/87	
APPROVED		DATE	
FOR ETD USE ONLY		SCALE NOTED	





NOTE: TEMPORARY CONSTRUCTION ENTRANCE (NOT SHOWN) IS REQUIRED - SEE SHEET C-11 FOR DETAIL

REFERENCE POINT NAIL & CAP
PROJECT CONTROL LINE "A"
STA. 0+00
STA. 2+88.74 @ "B"
(PK NAIL & CAP)

REFERENCE POINT "A"
NAIL & CAP
P.O.T. (PK NAIL & CAP)
STA. 2+73.03
MEET EXISTING GRADE

NOTE: REFERENCE POINT "A" APPROX. ON LINE & 1.0' FROM EDGE OF PAVEMENT

BASILINE "B"
(CENTERLINE OF ROAD)

TO EMERGENCY ROOM

BENCH MARK "A"
CHISELED SQUARE ON CONCRETE HEADWALL
ELEVATION 26.22

TO MAIN HOSPITAL

STA. 0+00 @ "B"
(PK NAIL & CAP)

REFERENCE POINT NAIL & CAP 1.0' FROM EDGE OF PAVEMENT

REFERENCE POINT NAIL & CAP APPROX. ON LINE 1.0' FROM EDGE OF PAVEMENT

FLARED END SECTION INVERT (24.30)
PROVIDE GRAVEL CHECK DAM 5' RADIUS, TOP ELEVATION (25.5) SEE SHEET C-11

NEW 22' WIDE ROAD
NEW SWALE @ 0.40% SLOPE

MIXED HARDWOODS AND SOFTWOODS UP TO 24" DIAMETER

8" DOGWOOD TO REMAIN

TWIN 8" & 10" OAKS TO REMAIN

MIXED HARDWOODS AND SOFTWOODS UP TO 24" DIAMETER

PROVIDE NEW SWALE FROM NEW F.E.S. TO EXIST. HEADWALL. SIDE SLOPES = 10:1

PROVIDE GRAVEL CHECK DAM 10' RADIUS, TOP ELEVATION (25.0) SEE SHEET C-11

HEADWALL INVERT 23.09

TO BREWSTER BLVD. ± 515'

CURVE "A" DATA
A = 12° 00' 00"
D = 08° 00' 00"
R = 716.20'
T = 75.28'
L = 150.00'

CURVE "B" DATA
A = 60° 00' 00"
D = 46° 00' 00"
R = 124.56'
T = 71.91'
L = 130.43'

ABBREVIATIONS

- P.T. POINT OF INTERSECTION
- P.O.T. POINT ON TANGENT
- P.C. POINT OF CURVE
- P.T. POINT OF TANGENT
- P.V.I. POINT OF VERTICAL INTERSECTION
- P.V.C. POINT OF VERTICAL CURVE
- P.V.T. POINT OF VERTICAL TANGENT
- M.H. MANHOLE
- L.F. LINEAR FEET
- INV. INVERT
- ELEV. ELEVATION
- N.B.C. NAIL & BOTTLECAP
- T.C. TOP OF CURB
- B.C. BOTTOM OF CURB
- F.E.S. FLARED END SECTION
- M.H. MANHOLE
- C.B. CATCH BASIN
- P.K. PARKER-KALDM. (MASONRY NAIL)
- G.W. GUY WIRE
- N.T.S. NOT TO SCALE

REVISIONS		
NO.	DESCRIPTION	DATE

TRAFFIC CONTROL NOTES

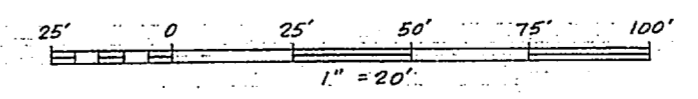
1. PROVIDE NEW STOP SIGN AT STATION 0+32.6 TO 8 FEET FROM PAVEMENT EDGE. SEE DETAIL SHEET C-7.
2. PROVIDE NEW STOP LINE 15' FROM EDGE OF EXISTING ROAD AS INDICATED. STOP LINE SHALL BE 18 INCH WIDE REFLECTIVE WHITE.
3. PROVIDE DOUBLE 4" WIDE SOLID YELLOW STRIPES (SEPARATED BY 3-4" SPACE) ON CENTERLINE OF NEW ROAD FROM NEW STOP LINE (STA. 0+28.5) TO STATION 4+84.

LEGEND

EXISTING	NEW
25.50	ELEVATION (25.50)
25.50	EXISTING ELEVATION TO BE MET (25.50)
25.50	CONTOUR (25.50)
---	DITCH OR SWALE
→	DIRECTION OF FLOW
▨	BITUMINOUS CONCRETE PAVEMENT
▨	CONCRETE PAVEMENT (PLAN)
▨	CONCRETE CURB
▨	HEADWALL
▨	CATCH BASIN (C.B.)
▨	MANHOLE (M.H.)
ES	STORM DRAIN PIPE
E.SAN	SANITARY DRAIN PIPE
E.SANEM	SANITARY FORCE MAIN
OPP	ELECTRIC OR TELEPHONE POLE
E.DHE	OVERHEAD ELECTRIC LINE(S)
---	UNDERGROUND ELEC., TEL., CATV., & F.A.
E.T.&F.A.	UNDERGROUND TELEPHONE & FIRE ALARM
EW	WATER LINE & VALVE WITH VALVE BOX
---	WOODS LINE
---	TREE - DECIDUOUS
---	TREE - EVERGREEN
---	SOIL BORING
---	FLARED END SECTION (F.E.S.)
---	YARD HYDRANT (3/4")
---	CLEANOUT
---	FIRE HYDRANT
---	WATER METER
---	FENCE

PLAN - NEW ROAD
SCALE: 1" = 20'

GRAPHIC SCALE



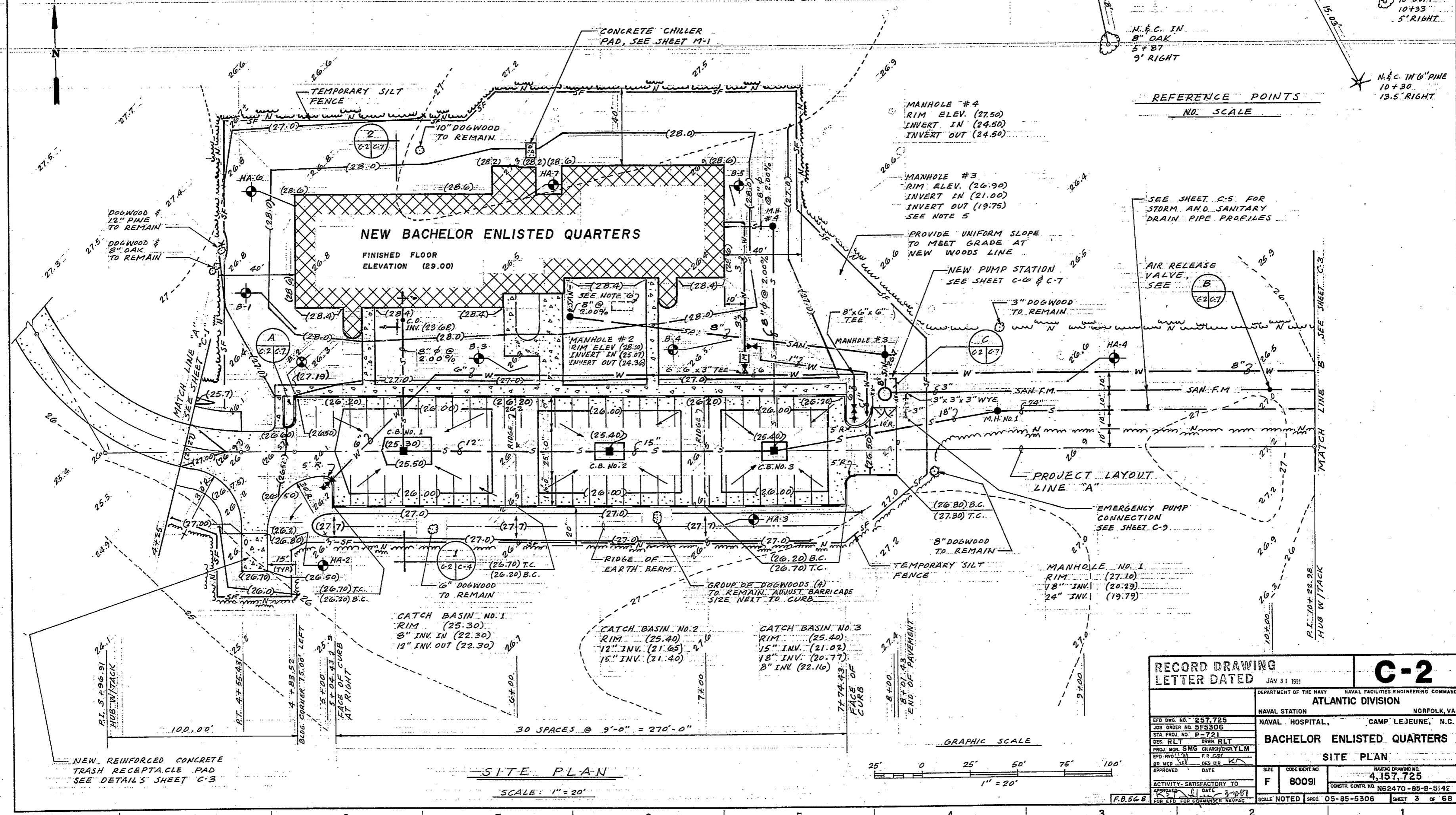
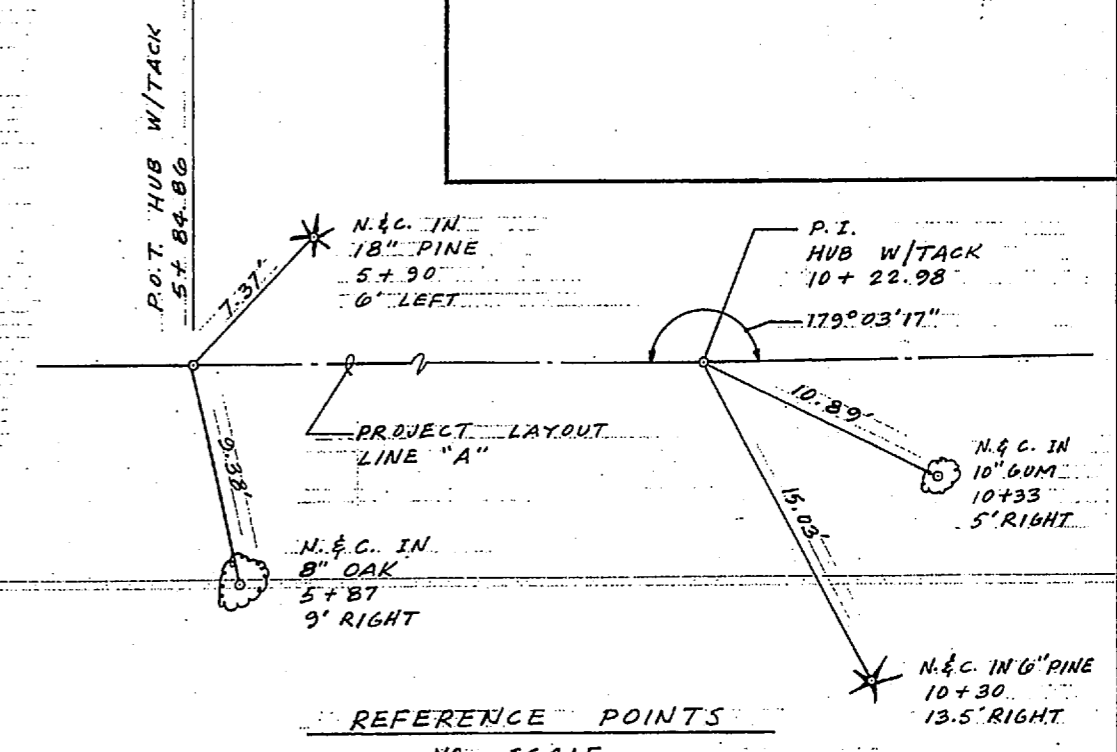
RECORD DRAWING LETTER DATED		C-1 JAN 21 1991	
DEPARTMENT OF THE NAVY NAVAL FACILITIES ENGINEERING COMMAND ATLANTIC DIVISION		NORFOLK, VA.	
NAVAL STATION NAVAL HOSPITAL, CAMP LEJEUNE, N.C.		BACHELOR ENLISTED QUARTERS	
PLAN - NEW ROAD		PLAN - NEW ROAD	
ACTIVITY - SATISFACTORY TO	DATE	SIZE	CODE BENT NO.
F	80091	4	157,724
APPROVED		CONSTR. CONTR. NO. N62470-85-B-5142	
SCALE NOTED SPEC. 05-85-5306		SHEET 2 OF 68	



GENERAL NOTES

1. ELEVATIONS ARE BASED ON NORTH AMERICAN DATUM OF 1927.
2. SOME CONTROL POINTS MAY HAVE BEEN DESTROYED. CONTRACTOR SHALL VERIFY AND/OR ESTABLISH REQUIRED CONTROL ON PROJECT LAYOUT LINE "A".
3. VEGETATE ALL GRADED AND DISTURBED EARTH AREAS.
4. SEE SHEET L-1 FOR SIDEWALK DIMENSIONS AND JOINTING PATTERN OF SIDEWALKS.
5. PROVIDE 2" Ø, 4' PIPE STUBS AT MANHOLE NO. 3 AS INDICATED. INVERTS AT MANHOLE SHALL BE 19.75'. 12" Ø PIPE STUBS 1/2" PROVIDE BRICK & MORTAR PLUG AT PIPE ENDS OUTSIDE OF MANHOLE.
6. FOR UNDERGROUND FUEL OIL TANK, SEE SHEET M-4.
7. TREES NOTED FOR RETENTION (WITHIN AREA TO BE CLEARED) SHALL BE BARRICADED WITH 2" X 4" X 5' LUMBER POSTS EXTENDING 3' 6" ABOVE THE GROUND WITH A 2" X 4" TOP RAIL AFFIXED THERETO. BARRICADE SHALL BE HEXAGONAL WITH A RADIUS OF 8' CENTERED ON TREE. MARK BARRICADE WITH SURVEYOR'S FLAGGING TO MAKE HIGHLY VISIBLE. PROTECT TREES FROM ALL CLEARING OPERATIONS. NO EXCAVATION PERMITTED WITHIN BARRICADE EXCEPT WHERE ABSOLUTELY REQUIRED. WHERE FILL IS REQUIRED, LIMIT FILL TO 6" MAXIMUM TOPSOIL AND DO NOT COMPACT.
8. SEE SHEET C-11 FOR EROSION CONTROL DETAILS.
9. PROVIDE TEMPORARY SEDIMENT BARRIER AROUND CATCH BASINS.
10. SEE SHEET C-10 FOR WATER METER DETAILS.

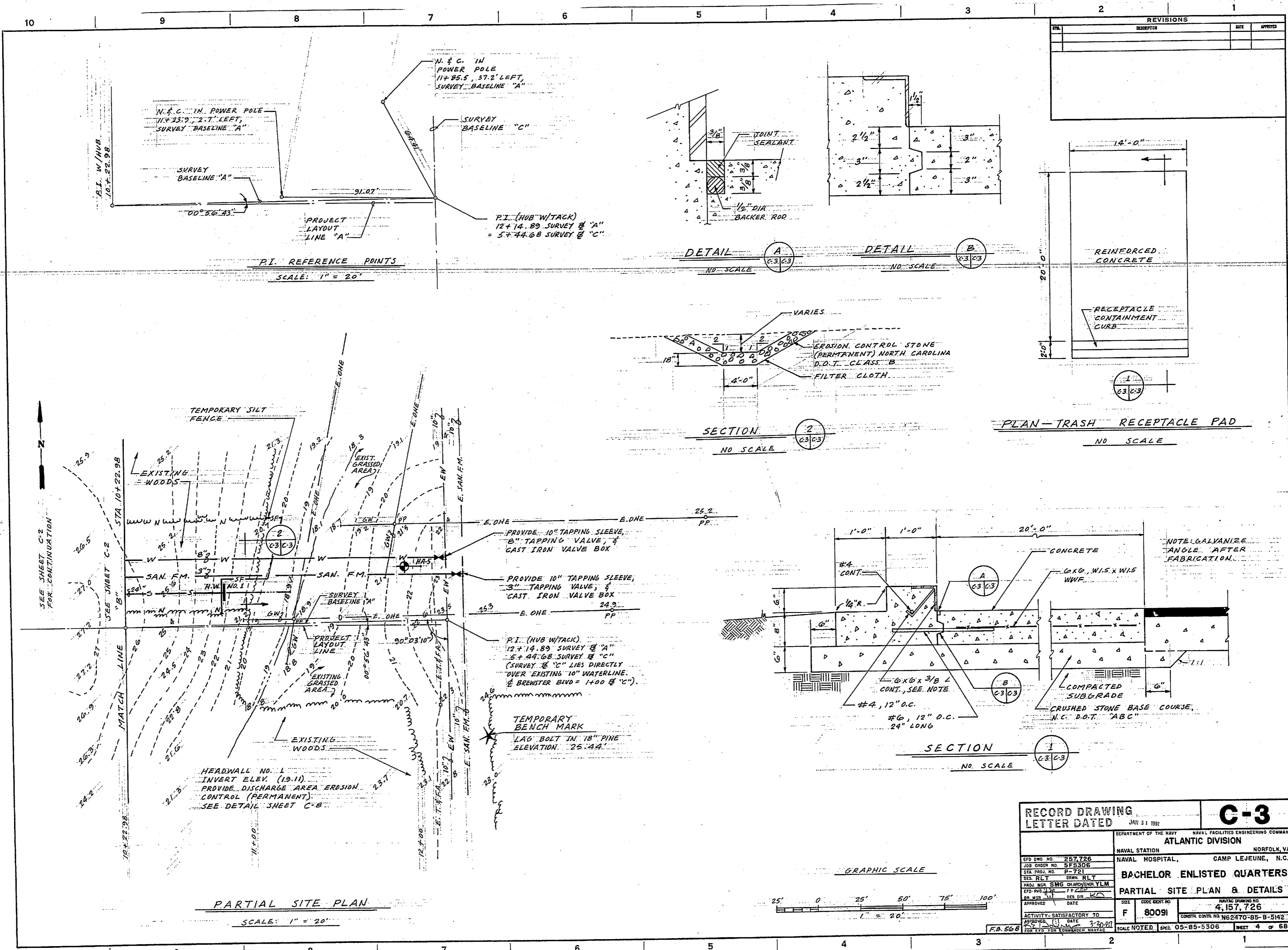
REVISIONS		
NO.	DESCRIPTION	DATE



RECORD DRAWING		C-2
LETTER DATED JAN 31 1991		
DEPARTMENT OF THE NAVY NAVAL FACILITIES ENGINEERING COMMAND		
ATLANTIC DIVISION NORFOLK, VA.		
NAVAL STATION CAMP LEJEUNE, N.C.		
BACHELOR ENLISTED QUARTERS		
SITE PLAN		
NO. 257 725	DATE 3-1-91	SCALE NOTED SPEC 05-B5-5306 SHEET 3 OF 68
STA. PROJ. NO. P-721	CODE EXPT. NO. 4,157,725	
DES. RLT. DRWN. RLT.		
PROJ. MGR. S.M.S. CLAYTON W. YLM		
APP. DATE 3-1-91		
ACTIVITY SATISFACTORY TO		
FOR EFB FOR COMMANDER NAVFAC		

-SITE PLAN-
SCALE: 1" = 20'





REVISIONS		
NO.	DESCRIPTION	DATE

P.I. REFERENCE POINTS
SCALE: 1" = 20'

DETAIL A
NO SCALE

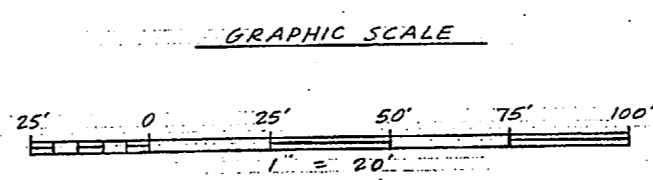
DETAIL B
NO SCALE

SECTION 2
NO SCALE

PLAN - TRASH RECEPTACLE PAD
NO SCALE

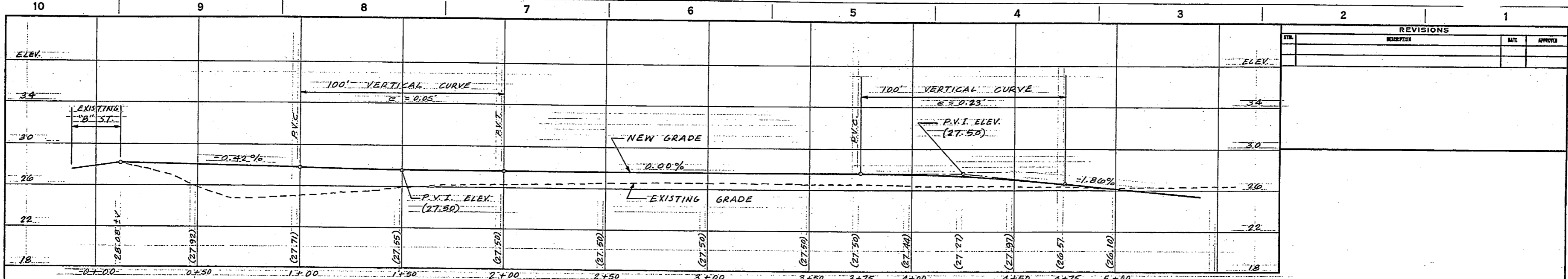
SECTION 1
NO SCALE

PARTIAL SITE PLAN
SCALE: 1" = 20'



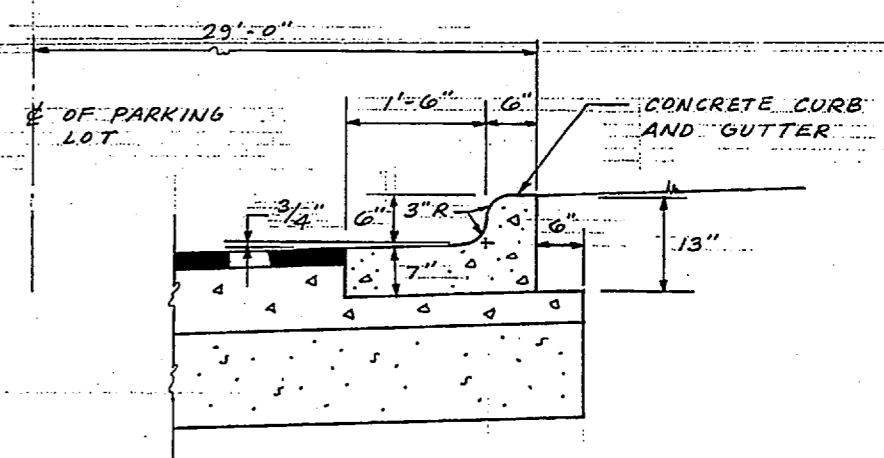
RECORD DRAWING LETTER DATED JAN 5 1 1951		C-3	
DEPARTMENT OF THE NAVY NAVAL FACILITIES ENGINEERING COMMAND ATLANTIC DIVISION		NORFOLK, VA.	
NAVAL STATION NAVAL HOSPITAL, CAMP LEJEUNE, N.C.		BACHELOR ENLISTED QUARTERS	
PARTIAL SITE PLAN & DETAILS		SIZE CODE SHEET NO. 4, 157, 726	
ACTIVITY - SATISFACTORY TO		CONTR. CONTR. NO. NG2470-85-B-5142	
APPROVED DATE		SCALE NOTED SPEC. 05-85-5306 SHEET 4 OF 68	





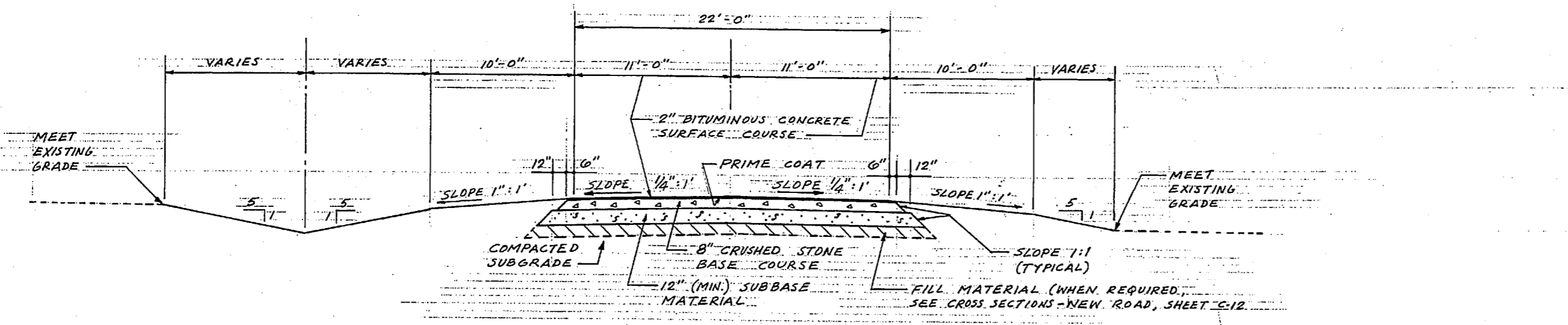
PROFILE - NEW ROAD

SCALES: VERT. 1" = 4'
HORIZ. 1" = 20'

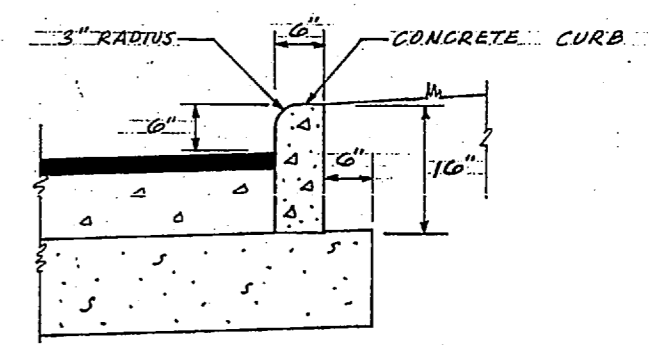


NOTE: CONCRETE CURB AND GUTTER MAY BE CONSTRUCTED IN LIEU OF CONCRETE CURB.

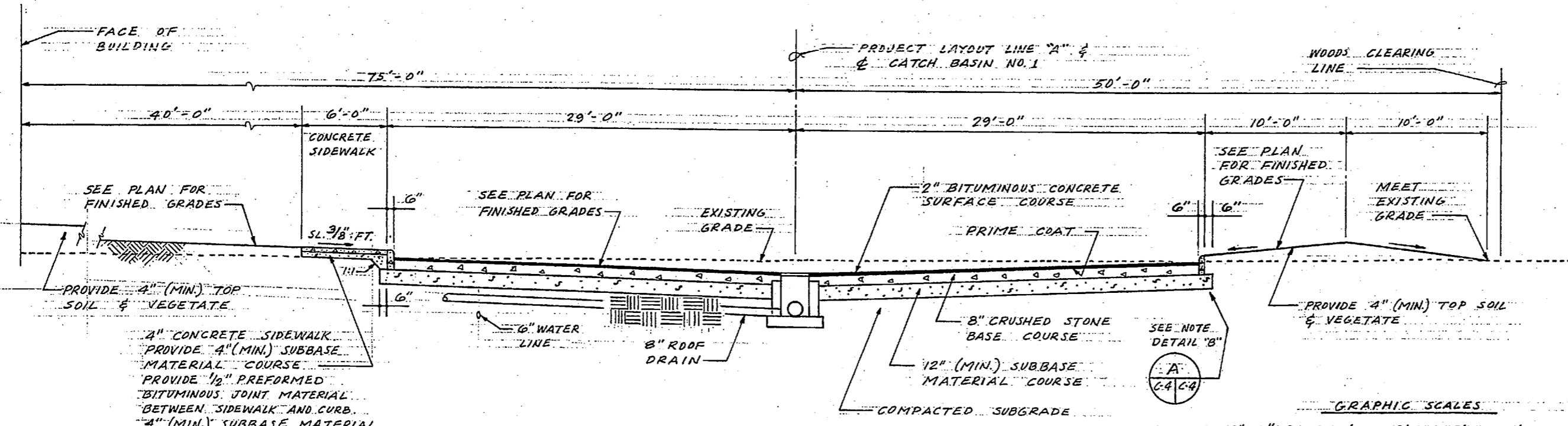
DETAIL B
SCALE: 1" = 1'-0"



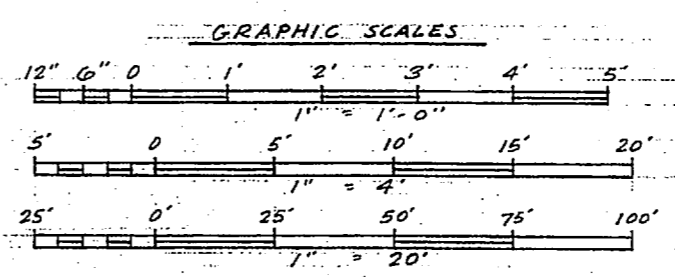
TYPICAL ROAD SECTION I
NO SCALE



DETAIL A
SCALE: 1" = 1'-0"

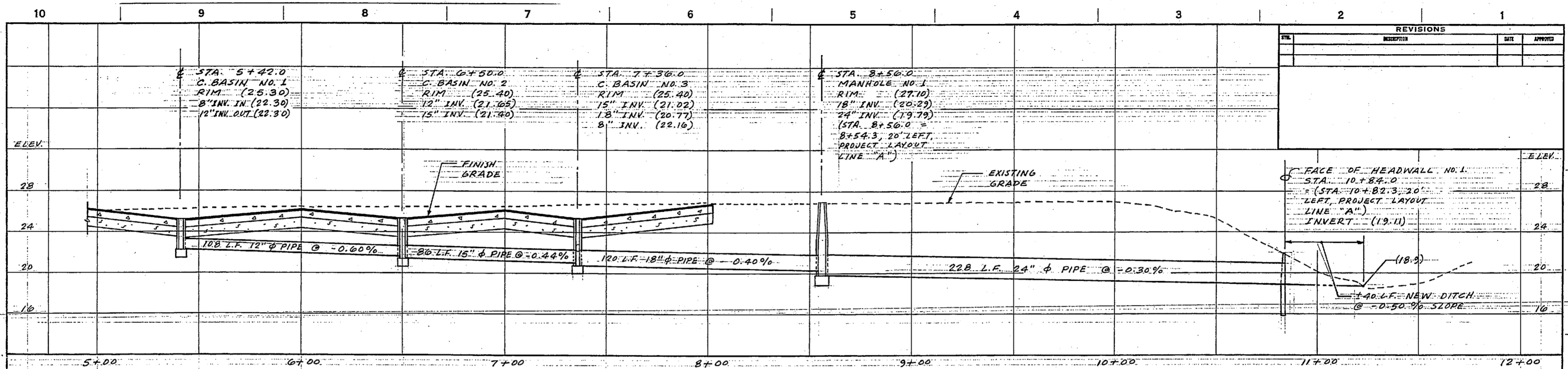


SECTION I
SCALE: 1/2" = 1'-0"

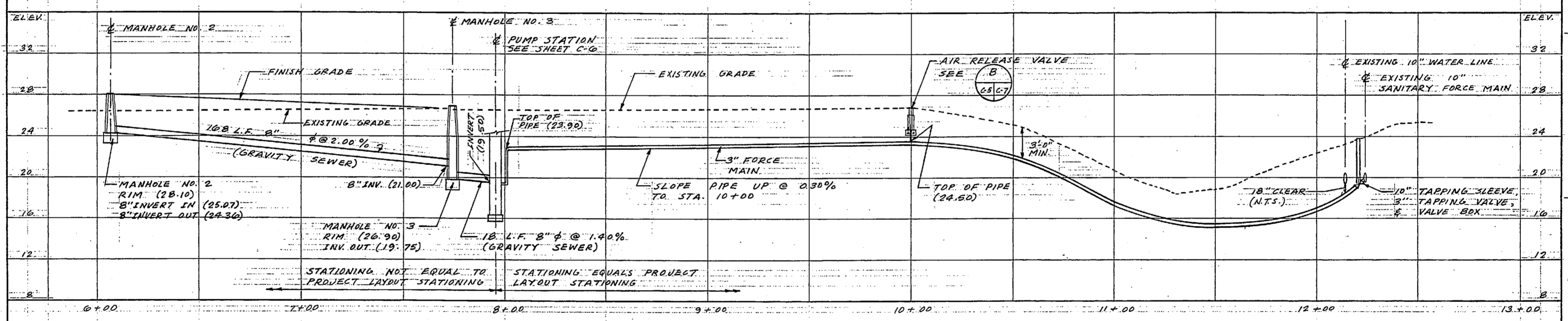


RECORD DRAWING		C-4	
LETTER DATED JAN 31 1991		DEPARTMENT OF THE NAVY NAVAL FACILITIES ENGINEERING COMMAND	
NAVAL STATION NORFOLK, VA		ATLANTIC DIVISION	
NAVAL HOSPITAL, CAMP LEJEUNE, N.C.		BACHELOR ENLISTED QUARTERS	
ROAD & PROFILE AND SECTIONS		ROAD & PROFILE AND SECTIONS	
ACTIVITY - SATISFACTORY TO APPROVED DATE 3-9-91	DESIGNER - RLT	SCALE NOTED	Spec. 05-85-5306
FOR INFO FOR COMMANDER NAVFAC	DATE 3-9-91	SHEET 5	OF 68





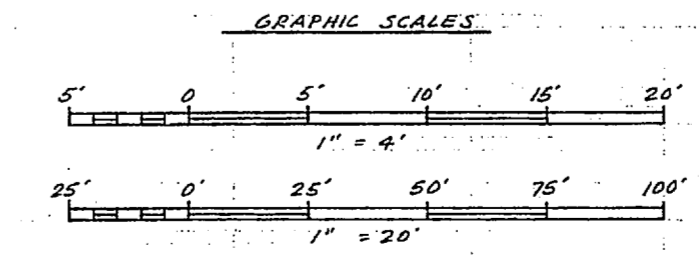
STORM DRAIN & PROFILE
 SCALES: VERT. 1" = 4'
 HORIZ. 1" = 20'



SANITARY SEWER & PROFILE
 SCALES: VERT. 1" = 4'
 HORIZ. 1" = 20'

REVISIONS		
NO.	DESCRIPTION	DATE

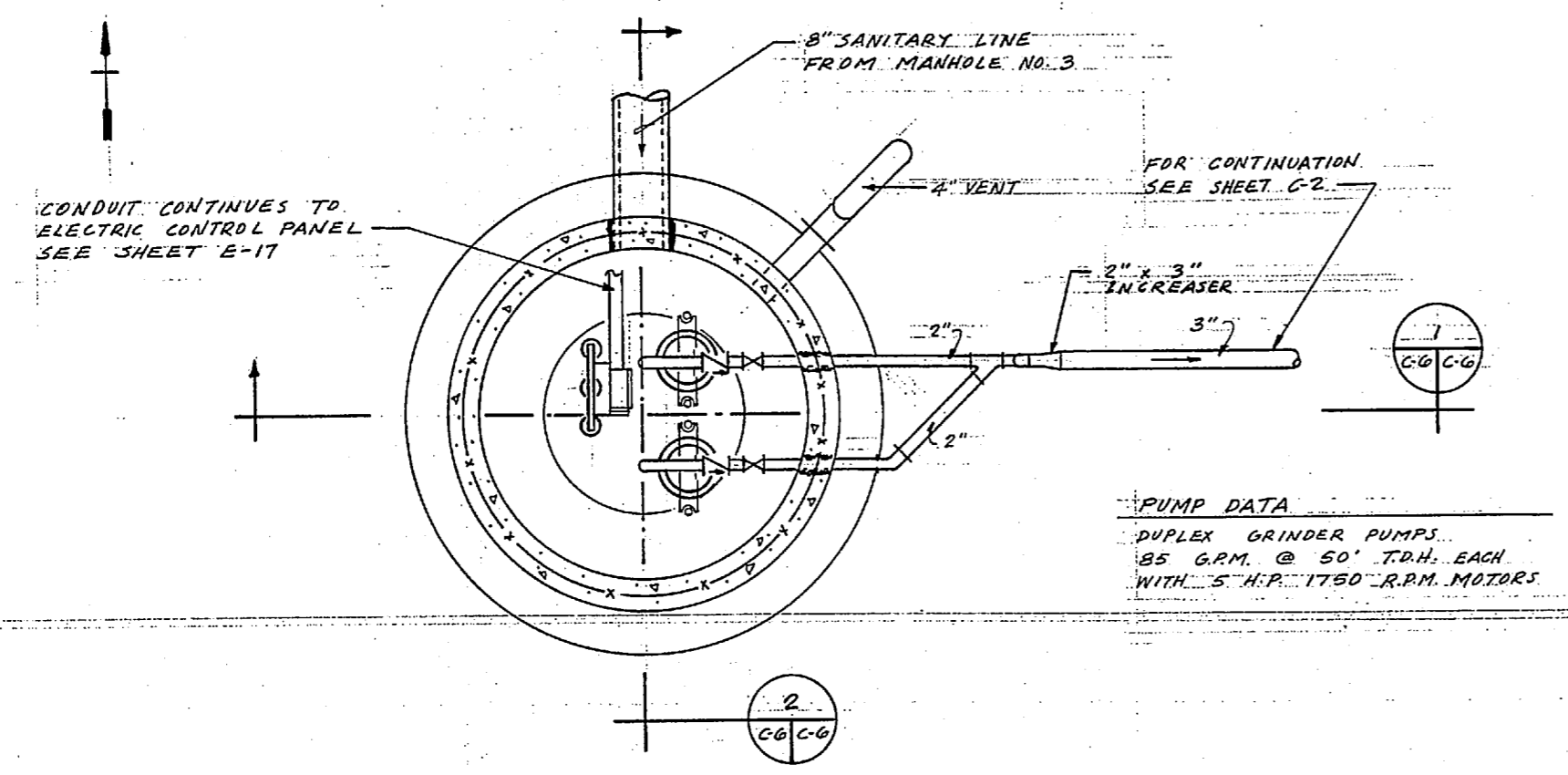
NOTE: SEE SHEETS C-8 & C-9 FOR SANITARY AND STORM DRAINAGE STRUCTURE DETAILS.



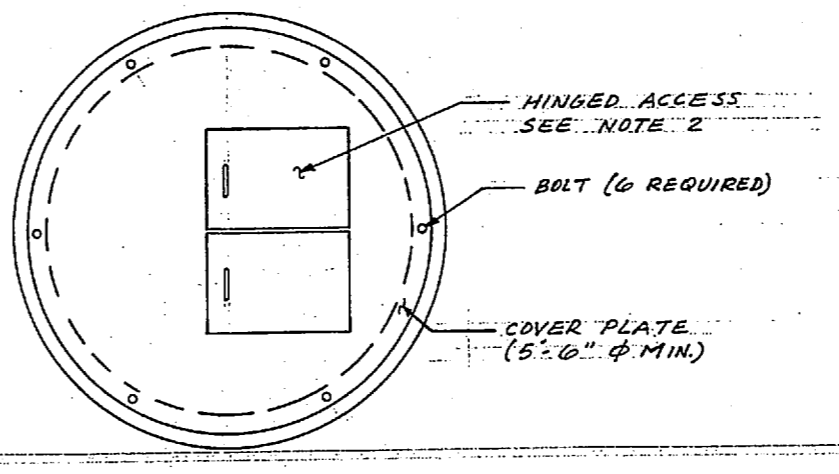
RECORD DRAWING LETTER DATED		JAN 31 1991		C-5	
DEPARTMENT OF THE NAVY NAVAL FACILITIES ENGINEERING COMMAND					
ATLANTIC DIVISION					
NAVAL STATION		NORFOLK, VA.			
NAVAL HOSPITAL		CAMP LEJEUNE, N.C.			
BACHELOR ENLISTED QUARTERS					
STORM AND SANITARY SEWER & PROFILES					
EFO DWS NO. 257,728	JDD ORDER NO. 5F5306	STA PROJ. NO. P-721	DES. RLT. UNK. RLT.	PROJ. MGR. SMG. CHAS/DE/PLM	EFO. INV. L&L. F. F. L&L.
APPROVED	DATE	SIZE	CODE	NAVAC DRAWING NO.	SCALE NOTED
		F	80091	4,157,728	
ACTIVITY SATISFACTORY TO		APPROVED		DATE	
CONTRACT NO. N62470-85-B-5142					
SCALE NOTED SPEC 05-85-5306 SHEET 6 OF 68					



REVISIONS		
NO.	DESCRIPTION	DATE



PLAN WITH TOP REMOVED
SCALE: 3/4" = 1'-0"

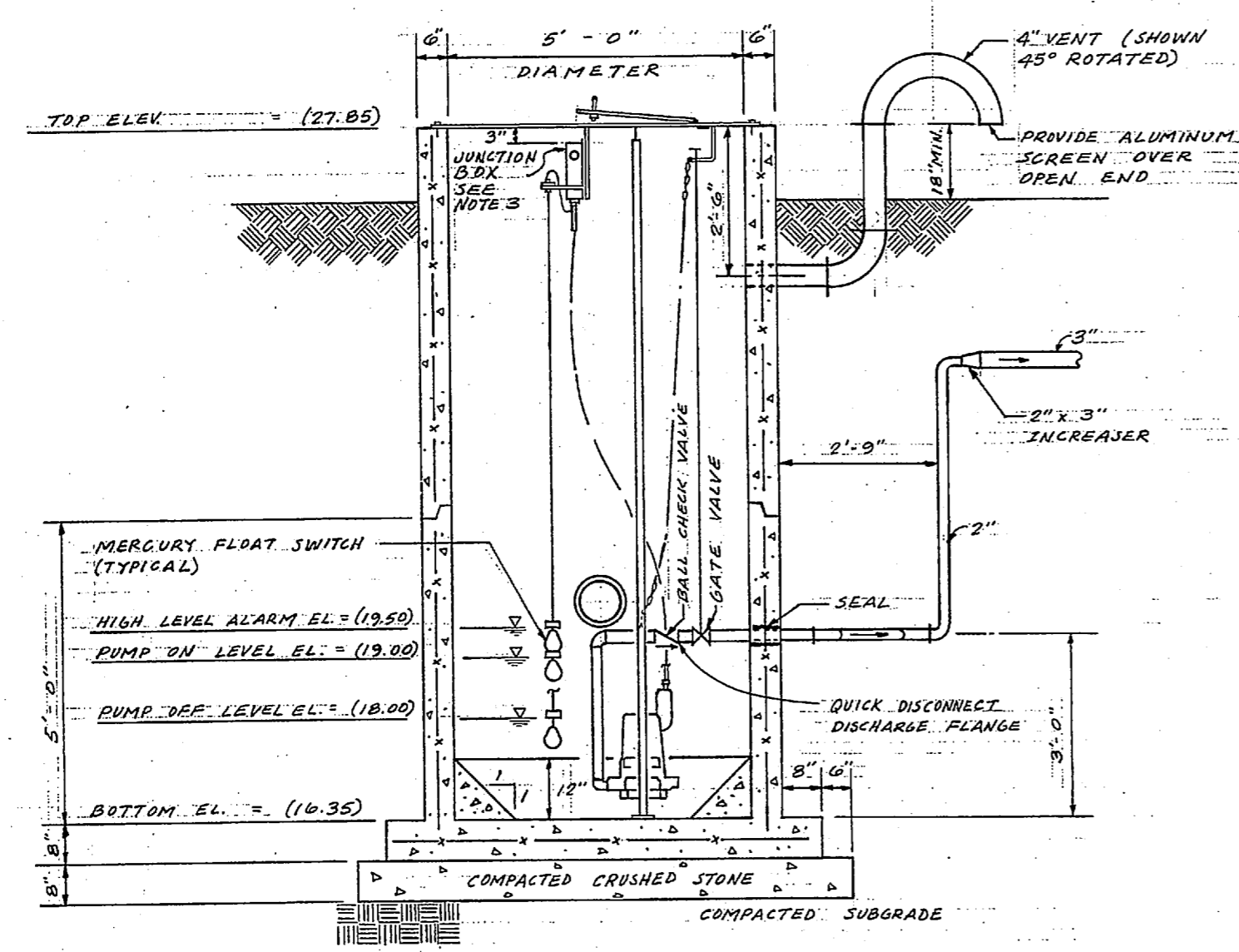


TOP PLAN
SCALE: 3/4" = 1'-0"

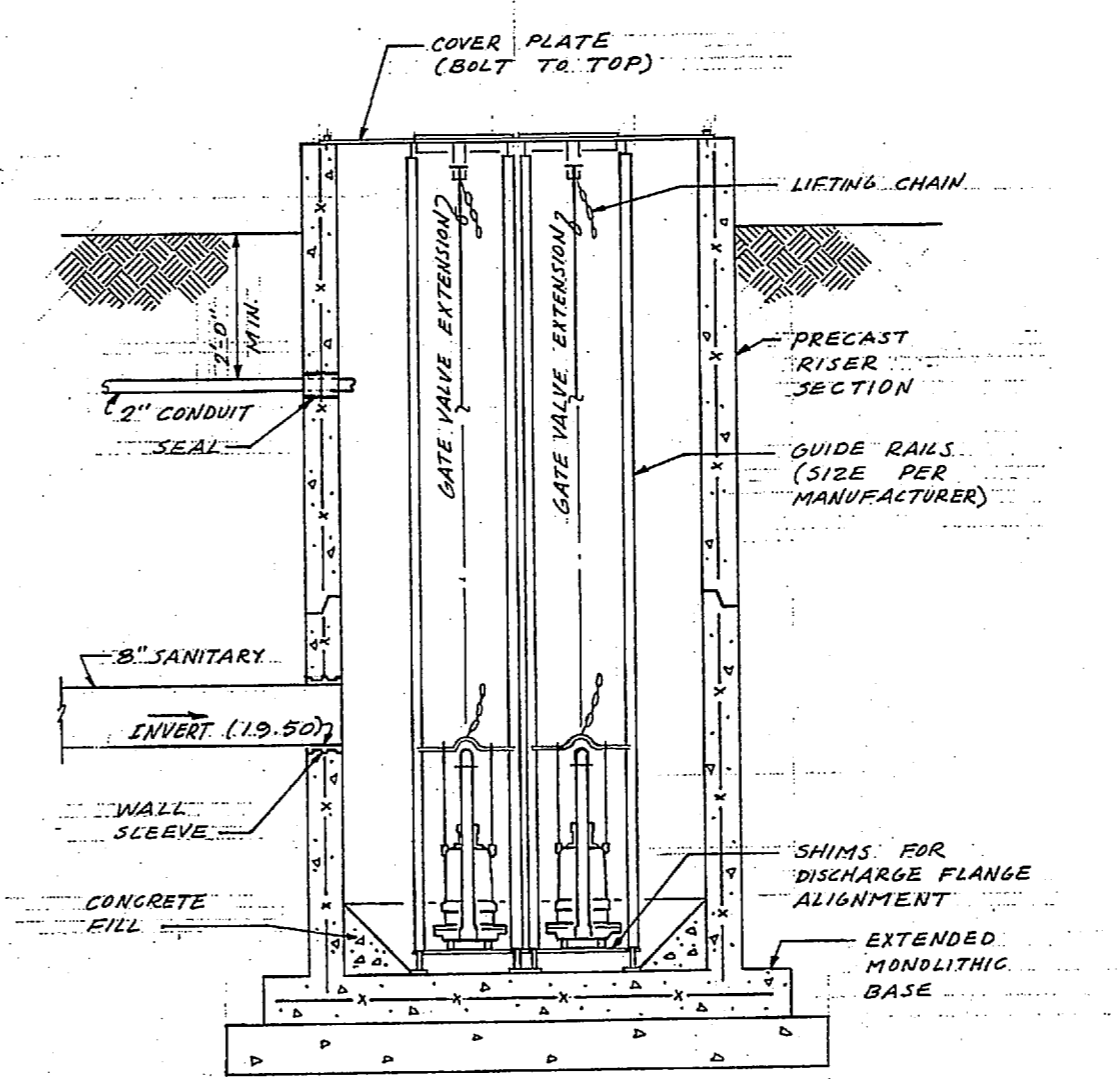
PUMP DATA
 DUPLEX GRINDER PUMPS
 85 G.P.M. @ 50' T.D.H. EACH
 WITH 5 H.P. 1750 R.P.M. MOTORS

NOTES

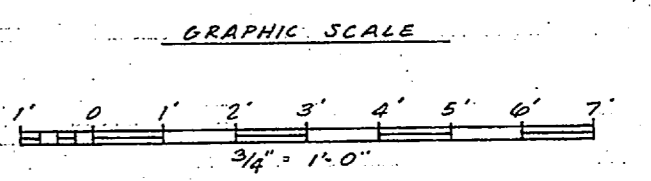
- THE DUPLEX PUMP SYSTEM SHALL BE OBTAINED BY THE CONTRACTOR FROM ONE SOURCE TO INSURE COMPATIBILITY OF EQUIPMENT. THE PUMP SYSTEM SHALL INCLUDE, BUT NOT LIMITED TO, THE FOLLOWING:
 - TWO SUBMERSIBLE GRINDER PUMPS WITH QUICK DISCONNECT FLANGES
 - PUMP GUIDE RAILS
 - SHIMS FOR DISCHARGE FLANGE ALIGNMENT
 - COVER PLATE WITH HINGED ACCESS DOOR AND GUIDE RAIL SUPPORTS
 - PUMP LIFTING CHAINS AND HOOKS
 - DUPLEX PUMP CONTROL PANEL WITH ASSOCIATED ALARMS
 - FLOAT SWITCHES FOR DUPLEX PUMP CONTROLS
- COVER PLATE WITH HINGED ACCESS DOOR SHALL BE SIZED TO ACCOMMODATE SUBMERSIBLE PUMPS PROVIDED CONTRACTOR SHALL VERIFY ALL PUMP DIMENSIONS AND SIZE OF OPENINGS REQUIRED FOR ACCESS DOORS PRIOR TO CONSTRUCTION.
- PROVIDE NEMA VII JUNCTION BOX (AS SHOWN) WITH AT LEAST 14" X 14" MIN. (12" X 12" MIN. OPENING) HINGED ACCESS DOOR (NOT SHOWN) FOR ACCESS TO JUNCTION BOX. OR PROVIDE NEMA IV JUNCTION BOX OUTSIDE OF WET WELL (NOT SHOWN) MOUNTED ON OUTSIDE OF WALL OF WET WELL IN ACCORD WITH PUMP MANUFACTURER'S STANDARD INSTALLATION.



SECTION 1
SCALE: 3/4" = 1'-0"

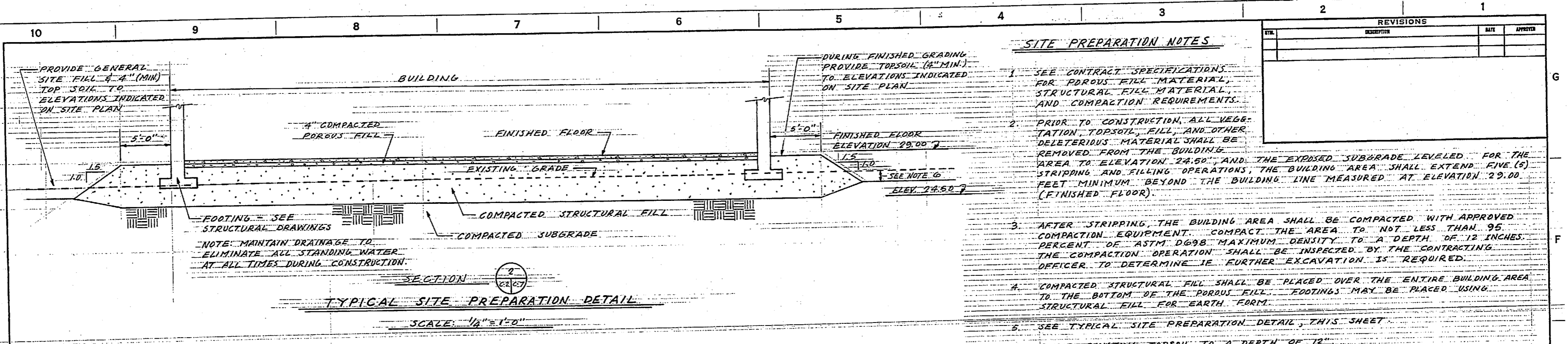


SECTION 2
SCALE: 3/4" = 1'-0"



RECORD DRAWING		C-6	
LETTER DATED JAN 31 1951		DEPARTMENT OF THE NAVY NAVAL FACILITIES ENGINEERING COMMAND	
NAVAL STATION NORFOLK, VA.		ATLANTIC DIVISION	
NAVAL HOSPITAL, CAMP LEJEUNE, N.C.		BACHELOR ENLISTED QUARTERS	
SEWAGE PUMP STATION		NAVIG DRAWING NO. 4,157,729	
ACTIVITY SATISFACTORY TO SPECIAL DATE	DATE	SIZE	CODE IDENT. NO.
APPROVED	DATE	F	80091
CONSTR. CONTR. NO. N62470-85-B-5142		SCALE NOTED SPEC. 05-85-5306 SHEET 7 OF 68	

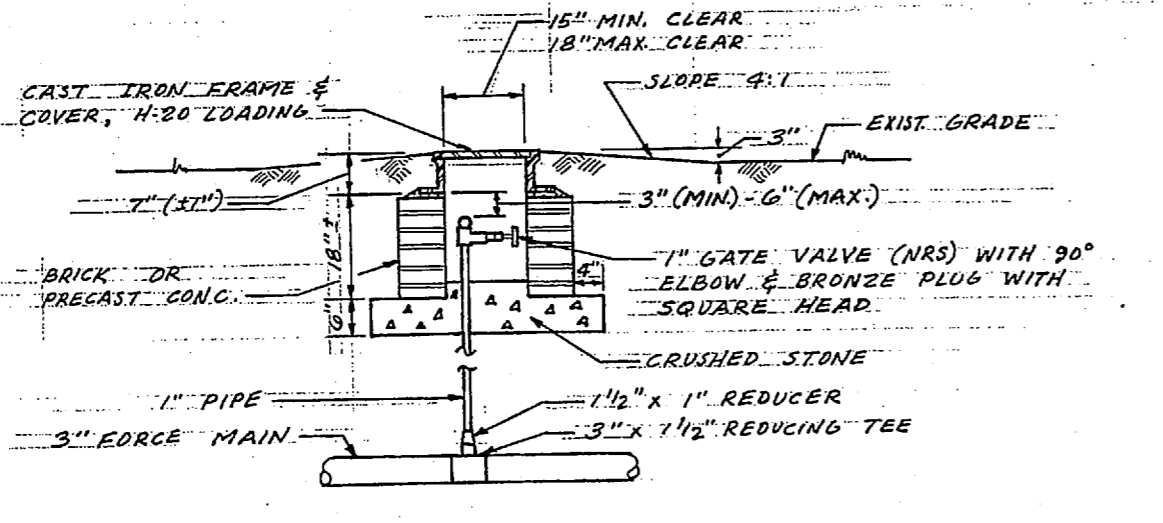




SITE PREPARATION NOTES

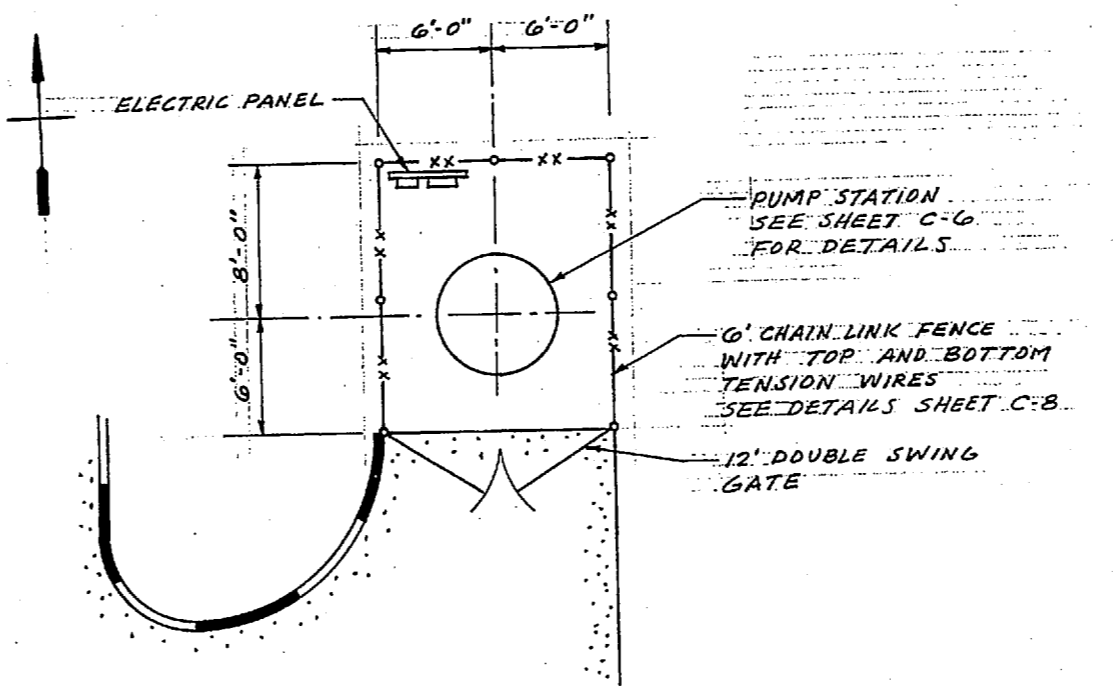
1. SEE CONTRACT SPECIFICATIONS FOR POROUS FILL MATERIAL, STRUCTURAL FILL MATERIAL, AND COMPACTION REQUIREMENTS.
2. PRIOR TO CONSTRUCTION, ALL VEGETATION, TOPSOIL, FILL, AND OTHER DELETERIOUS MATERIAL SHALL BE REMOVED FROM THE BUILDING AREA TO ELEVATION 24.50, AND THE EXPOSED SUBGRADE LEVELED FOR THE STRIPPING AND FILLING OPERATIONS; THE BUILDING AREA SHALL EXTEND FIVE (5) FEET MINIMUM BEYOND THE BUILDING LINE MEASURED AT ELEVATION 29.00 (FINISHED FLOOR).
3. AFTER STRIPPING THE BUILDING AREA SHALL BE COMPACTED WITH APPROVED COMPACTION EQUIPMENT. COMPACT THE AREA TO NOT LESS THAN 95 PERCENT OF ASTM D698 MAXIMUM DENSITY TO A DEPTH OF 12 INCHES. THE COMPACTION OPERATION SHALL BE INSPECTED BY THE CONTRACTING OFFICER TO DETERMINE IF FURTHER EXCAVATION IS REQUIRED.
4. COMPACTED STRUCTURAL FILL SHALL BE PLACED OVER THE ENTIRE BUILDING AREA TO THE BOTTOM OF THE POROUS FILL. FOOTINGS MAY BE PLACED USING STRUCTURAL FILL FOR EARTH FORM.
5. SEE TYPICAL SITE PREPARATION DETAIL, THIS SHEET.
6. STRIP EXISTING TOPSOIL TO A DEPTH OF 12"

REVISIONS		
NO.	DESCRIPTION	DATE



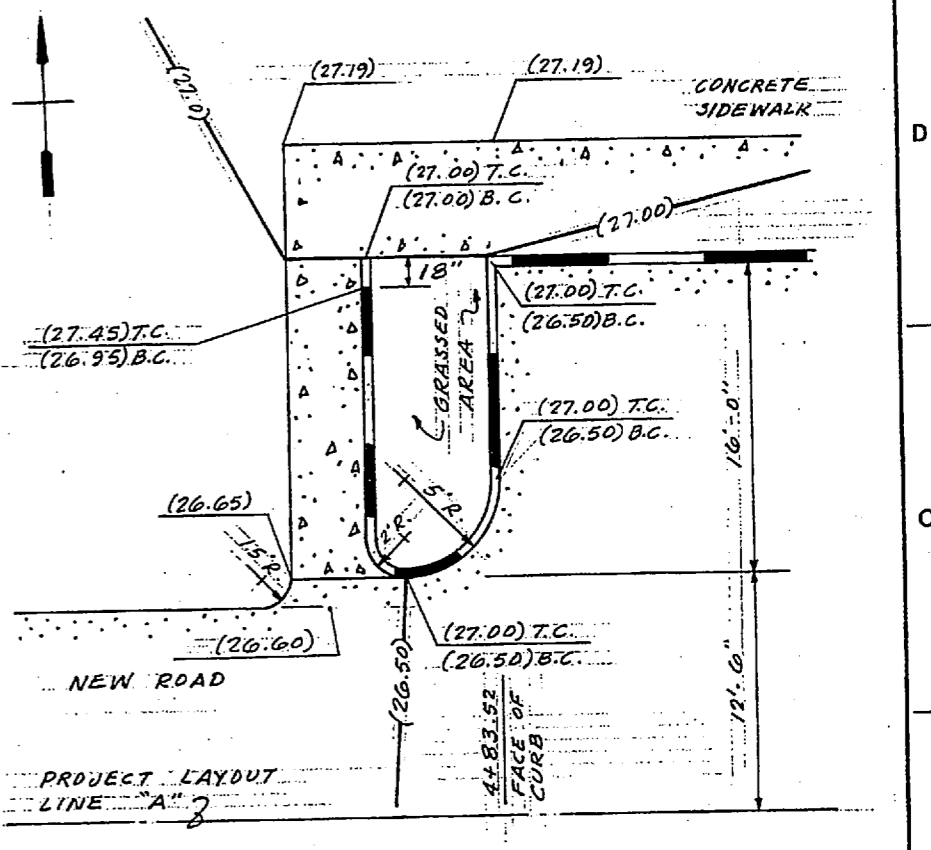
AIR RELEASE VALVE DETAIL

NOT TO SCALE



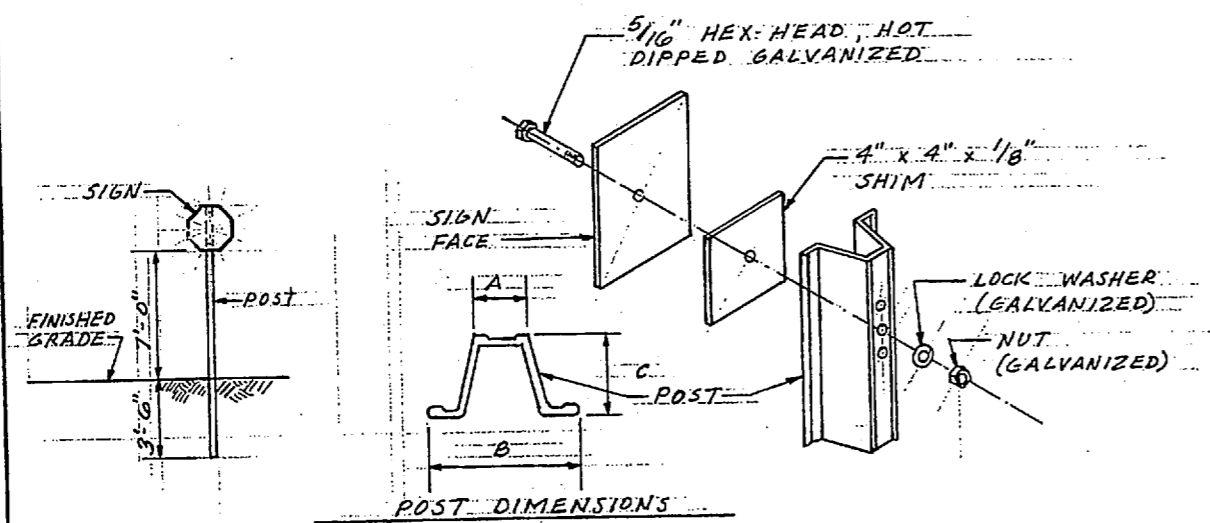
DETAIL C

SCALE: 1" = 5'



DETAIL A

SCALE: 1" = 5'

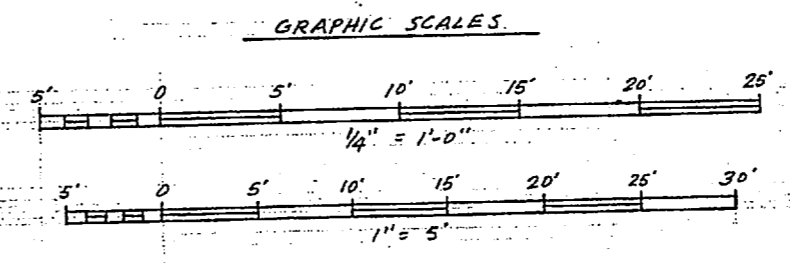


SIGN MOUNTING DETAIL

NOT TO SCALE

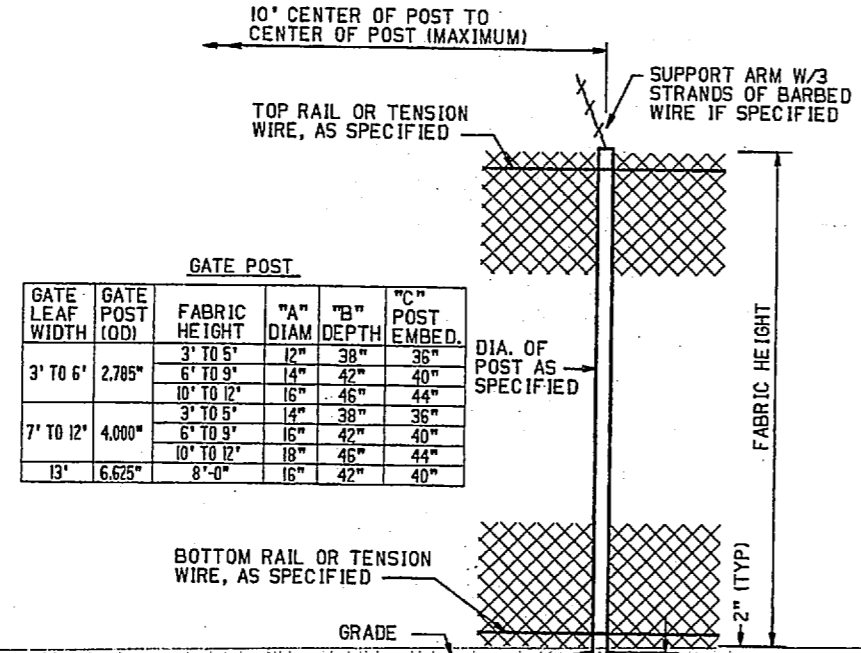
POST DIMENSIONS

	MIN.	MAX.
A	1 1/16"	1 5/8"
B	3 3/16"	3 1/2"
C	1 1/2"	1 7/8"



RECORD DRAWING		C-7	
LETTER DATED JAN 31 1951		DEPARTMENT OF THE NAVY NAVAL FACILITIES ENGINEERING COMMAND ATLANTIC DIVISION	
NAVAL STATION NORFOLK, VA.		NAVAL HOSPITAL, CAMP LEJEUNE, N.C.	
BACHELOR ENLISTED QUARTERS		DETAILS	
EPD Dwg. No. 257,730	JOB ORDER NO. SP5306	SIZE	CODE IDENT. NO.
EPD PROJ. NO. P-721	DES. RLT. DGB DRWN. RLT	F	80091
EPD PROJ. MGR. S.M.G. CHAPMAN/YLM	DATE	DATE	DATE
APPROVED	DATE	DATE	DATE
ACTIVITY - SATISFACTORY TO	DATE	DATE	DATE
FOR EPD FOR CHANGING NAVIES	DATE	DATE	DATE
SCALE NOTED	SPEC. 05-85-5306	SHEET 6	OF 68



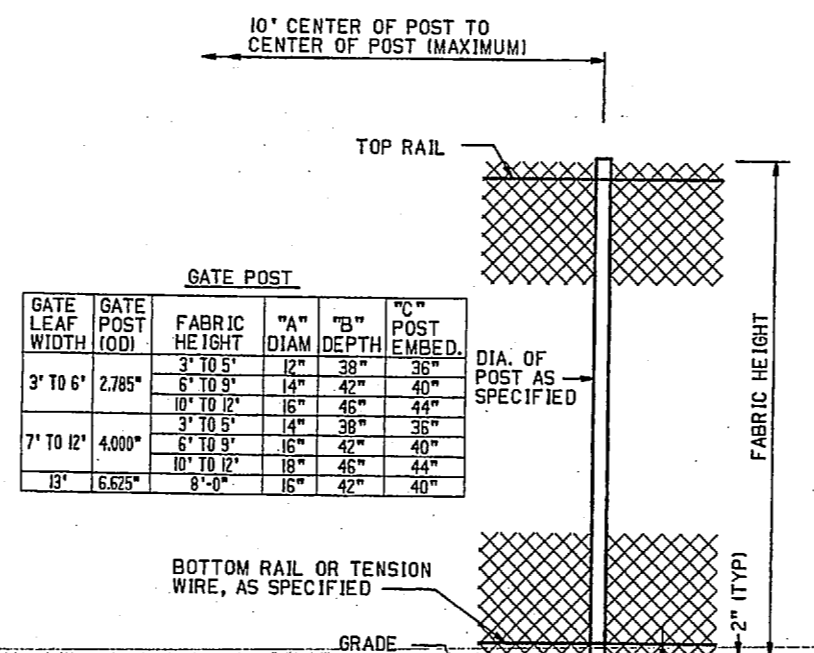


GATE POST					
GATE LEAF WIDTH	GATE POST (OD)	FABRIC HEIGHT	"A" DIAM	"B" DEPTH	"C" POST EMBED.
3' TO 6'	2.785"	3' TO 5'	12"	38"	36"
		6' TO 9'	14"	42"	40"
		10' TO 12'	16"	46"	44"
7' TO 12'	4.000"	3' TO 5'	14"	38"	36"
		6' TO 9'	16"	42"	40"
		10' TO 12'	18"	46"	44"
13'	6.625"	8'-0"	16"	42"	40"

LINE AND TERMINAL POSTS					
FABRIC HEIGHT	TYPE POST	"A" DIAM	"B" DEPTH	"C" POST EMBEDMENT	
3'-0" TO 4'-0"	LINE	6"	26"	24"	
	TERMINAL	10"	32"	30"	
5'-0"	LINE	8"	32"	30"	
	TERMINAL	10"	32"	30"	
6'-0" TO 9'-0"	LINE	12"	38"	36"	
	TERMINAL	12"	38"	36"	
10'-0" TO 12'-0"	LINE	16"	42"	40"	
	TERMINAL	18"	46"	44"	
13'-0" TO 18'-0"	LINE	24"	42"	40"	
	TERMINAL	24"	42"	40"	

NOTE: TERMINAL POSTS INCLUDE END, CORNER, AND PULL POSTS
CHAIN LINK FENCE FOUNDATION

NTS

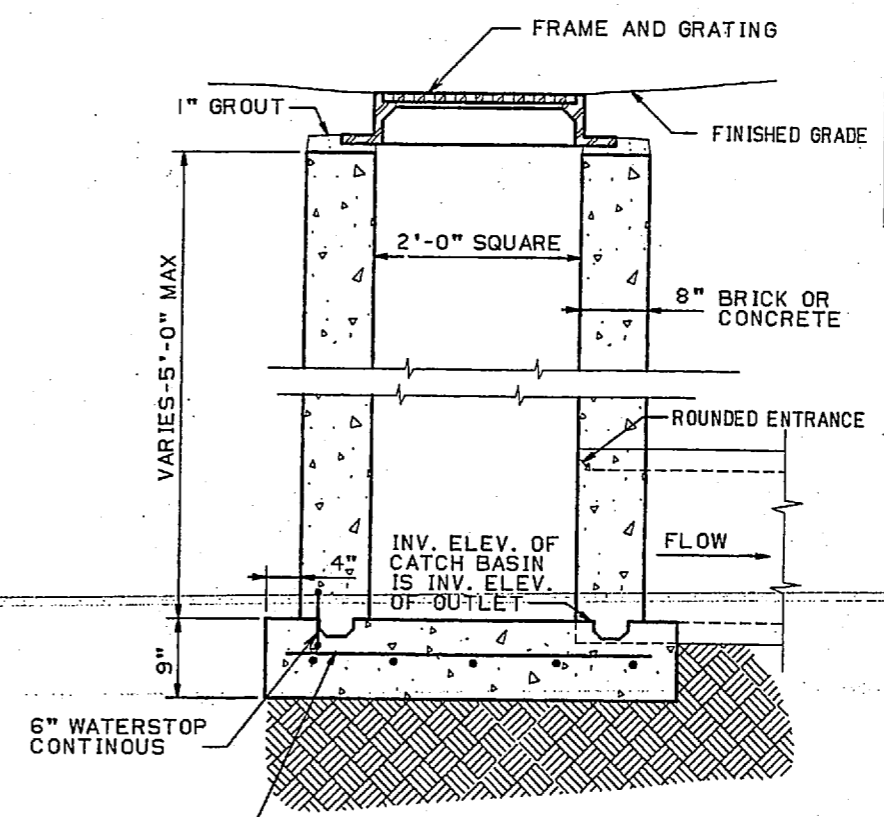


GATE POST					
GATE LEAF WIDTH	GATE POST (OD)	FABRIC HEIGHT	"A" DIAM	"B" DEPTH	"C" POST EMBED.
3' TO 6'	2.785"	3' TO 5'	12"	38"	36"
		6' TO 9'	14"	42"	40"
		10' TO 12'	16"	46"	44"
7' TO 12'	4.000"	3' TO 5'	14"	38"	36"
		6' TO 9'	16"	42"	40"
		10' TO 12'	18"	46"	44"
13'	6.625"	8'-0"	16"	42"	40"

LINE AND TERMINAL POSTS					
FABRIC HEIGHT	TYPE POST	"A" DIAM	"B" DEPTH	"C" POST EMBEDMENT	
3'-0" TO 4'-0"	LINE	6"	26"	24"	
	TERMINAL	10"	32"	30"	
5'-0"	LINE	8"	32"	30"	
	TERMINAL	10"	32"	30"	
6'-0" TO 9'-0"	LINE	12"	38"	36"	
	TERMINAL	12"	38"	36"	
10'-0" TO 12'-0"	LINE	16"	42"	40"	
	TERMINAL	18"	46"	44"	
13'-0" TO 18'-0"	LINE	24"	42"	40"	
	TERMINAL	24"	42"	40"	

NOTE: TERMINAL POSTS INCLUDE END, CORNER, AND PULL POSTS
CHAIN LINK FENCE

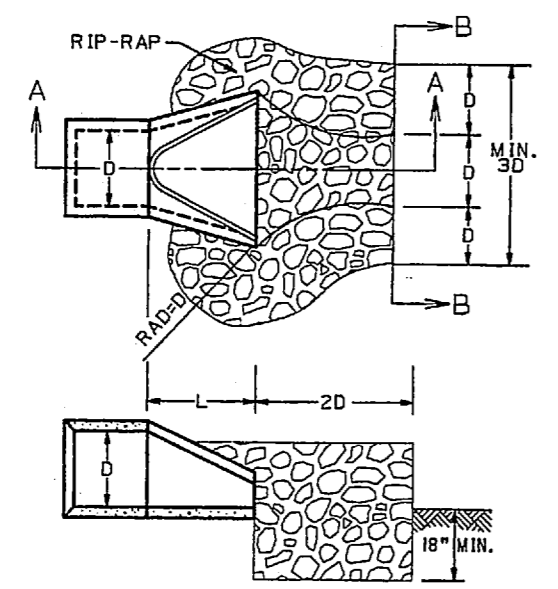
NTS



CATCH BASIN
18" PIPE AND SMALLER

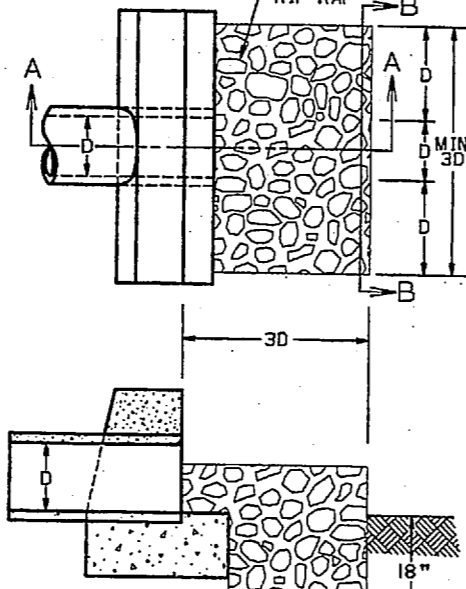
REVISIONS		
NO.	DESCRIPTION	DATE

FLARED END SECTION PLAN

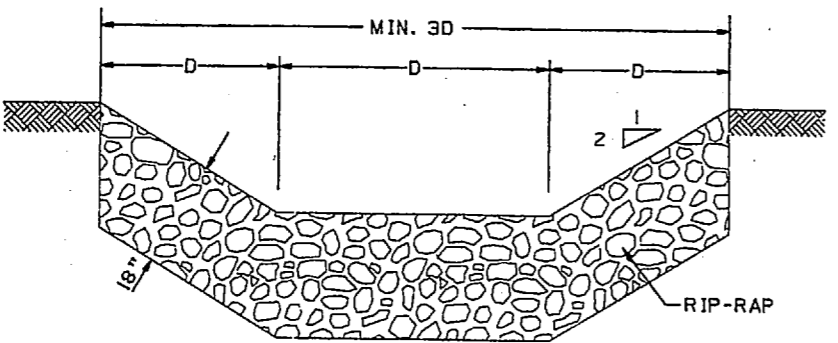


SECTION A-A

HEADWALL PLAN



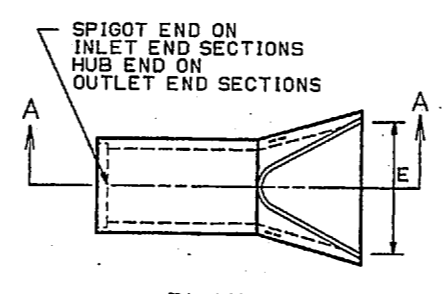
SECTION A-A



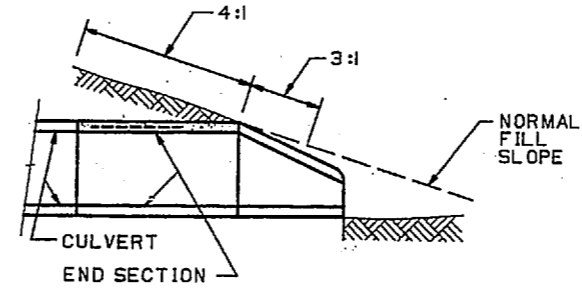
SECTION B-B

TYPICAL DISCHARGE AREA EROSION CONTROL DETAIL

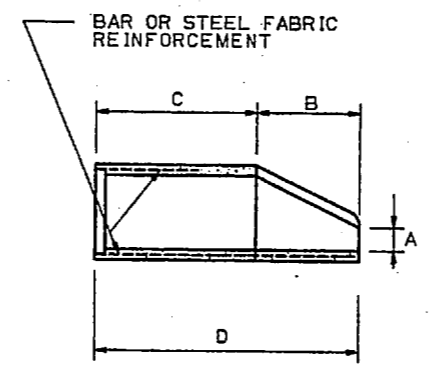
NTS



SECTION A-A



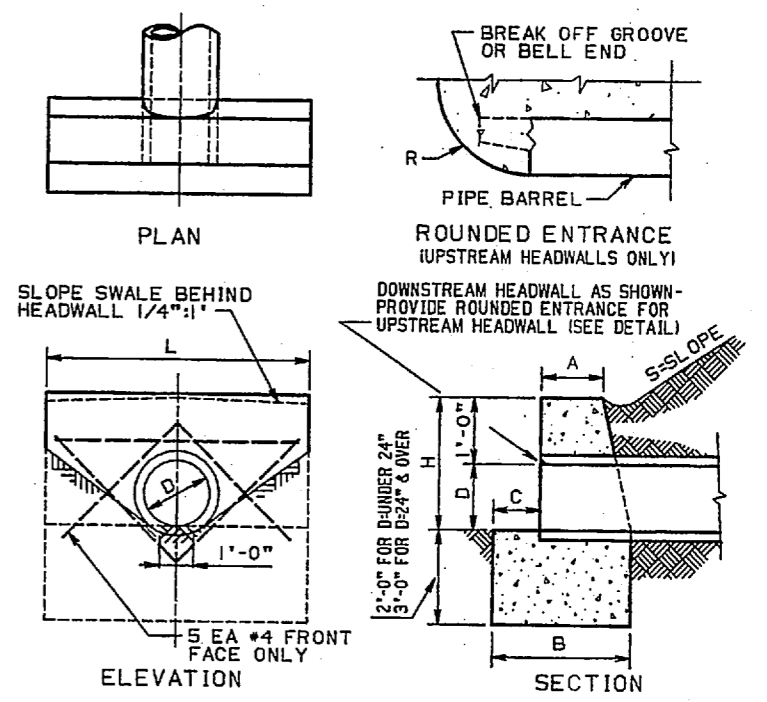
FRONT ELEVATION



FLARED END SECTION 12" - 60" PIPE

END SECTION DIMENSIONS				
DIAM	A	B	C	E
12"	4"	2'-0"	2'-0"	4'-0"
15"	6"	2'-3"	1'-9"	4'-0"
18"	9"	2'-3"	1'-9"	4'-0"
24"	9 1/2"	3'-7"	2'-6"	6'-1"
30"	1'-0"	4'-6"	1'-7 3/4"	6'-1 3/4"
36"	1'-3"	5'-3"	1'-10 3/4"	8'-1 3/4"
42"	1'-9"	5'-3"	2'-11"	8'-2"
48"	2'-0"	6'-0"	2'-3"	8'-2"
54"	2'-3"	6'-5"	2'-9 1/4"	8'-2 1/4"
60"	2'-11"	5'-0"	3'-3"	8'-3"

NTS



ALL SLOPES					
D	L	A	B	C	R
8"	1'-8"	6"	1'-0"	0	3'-0"
10"	1'-10"	8"	1'-0"	0	4'-0"
12"	2'-0"	10"	1'-4"	4"	4'-6"
15"	2'-3"	10"	1'-4"	4"	5'-3"
18"	2'-6"	10"	1'-7"	6 3/8"	6'-0"
21"	2'-9"	10"	1'-8"	6 3/8"	6'-9"
24"	3'-0"	10"	1'-9"	6 3/8"	7'-6"
27"	3'-3"	10"	2'-0"	8"	8'-3"
30"	3'-6"	10"	2'-1"	8 1/2"	9'-0"
36"	4'-0"	10"	2'-4"	10 1/2"	10'-6"
42"	4'-6"	10"	2'-7"	12 1/2"	12'-3"
48"	5'-0"	10"	2'-10"	15"	15'-0"
54"	5'-6"	10"	3'-1"	17 1/2"	17'-6"
60"	6'-0"	10"	3'-4"	21"	21'-0"

CONCRETE HEADWALL

NTS

RECORD DRAWING
LETTER DATED JAN 31 1951

C-8

DEPARTMENT OF THE ARMY
NAVAL HOSPITAL
CAMP LEJEUNE, N.C.

BACHELOR ENLISTED QUARTERS

MANUFACTURING DRAWING NO. 415 7731

ACTIVITY-SATISFACTORY TO

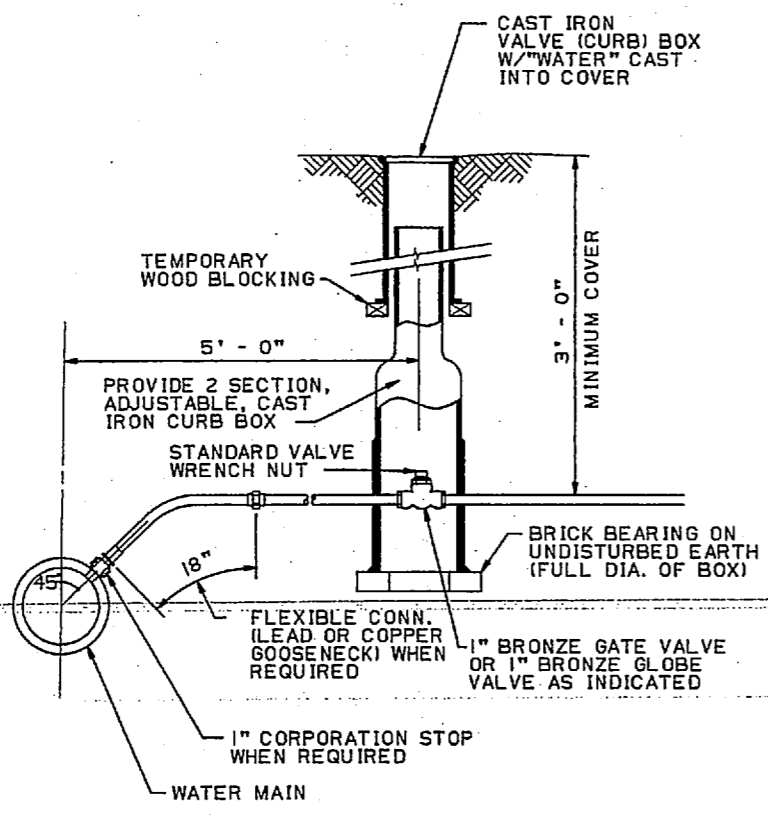
APPROVED DATE

APPROVED DATE

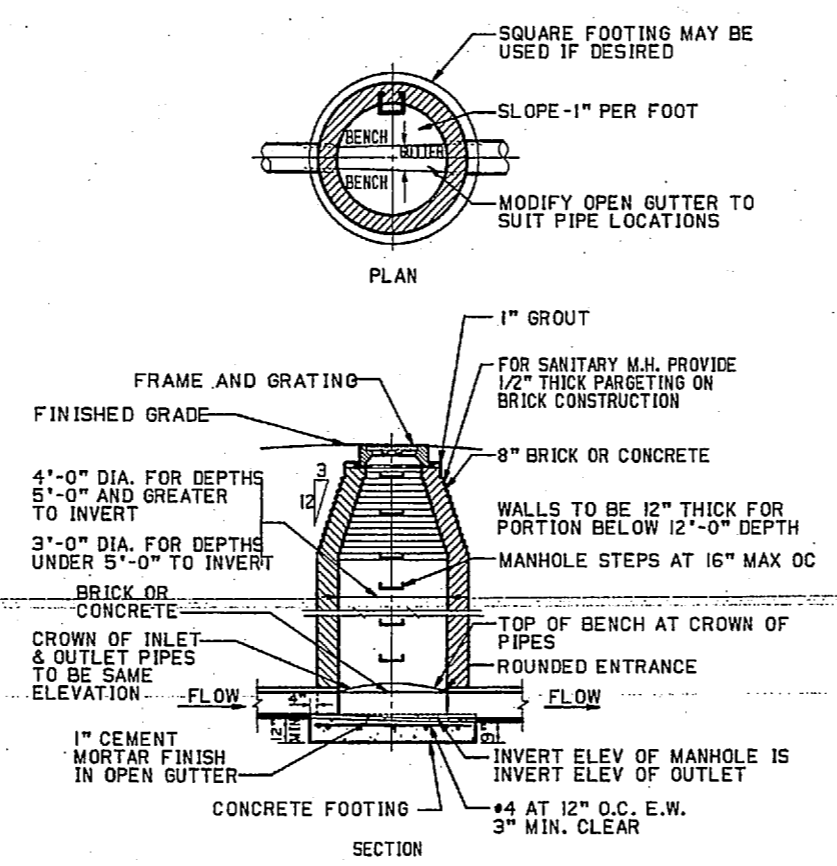
SCALE AS NOTED UNLESS OTHERWISE SPECIFIED

DATE 05-85-5306

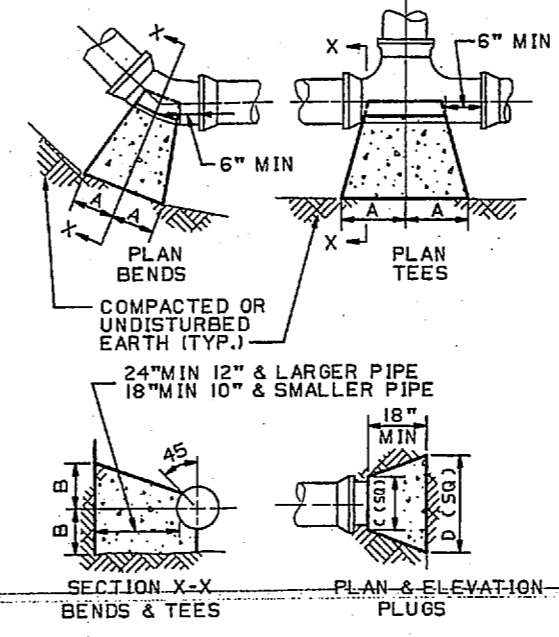




WATER LATERAL CONNECTION
NTS

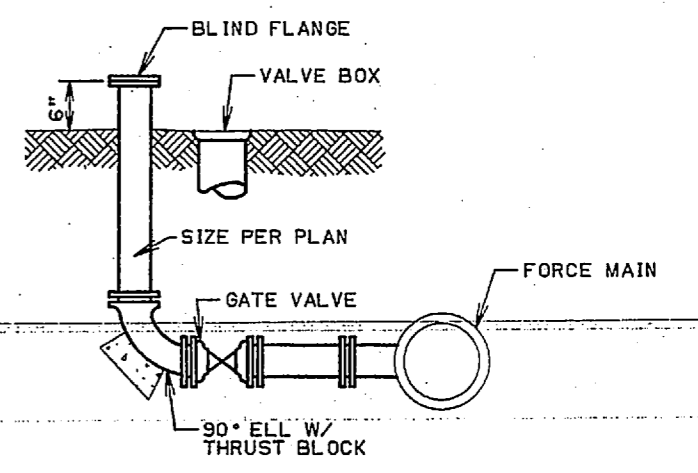


MANHOLE
NTS

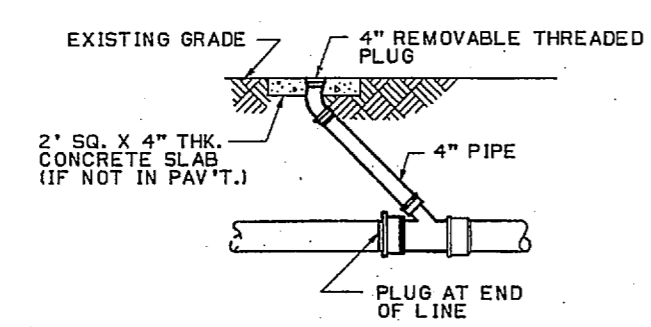


SIZE	BENDS		TEES		PLUGS	
	A	B	A	B	A	B
6"	10"	9"	10"	8"	10"	21"
8"	22"	13"	12"	13"	16"	29"
10"	26"	17"	14"	17"	18"	36"
12"	29"	21"	16"	21"	24"	41"
14"	35"	24"	19"	24"	27"	48"
16"	38"	27"	21"	27"	30"	54"

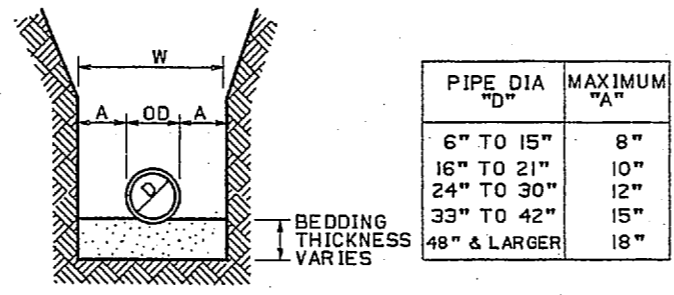
THRUST BLOCKS
NTS



EMERGENCY PUMP CONNECTION
NTS

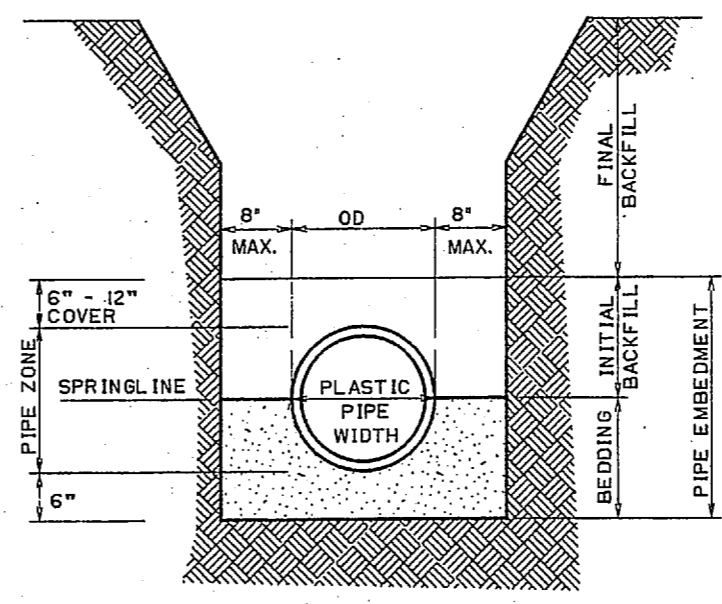


CLEANOUT DETAIL
NTS



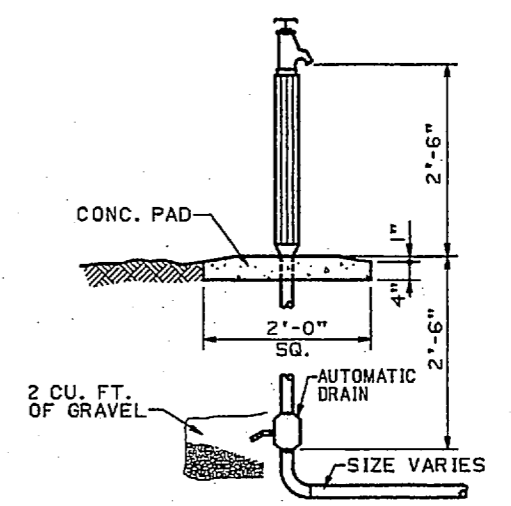
NOTE: PROVIDE BEDDING IN ACCORDANCE WITH THE SPECIFICATIONS.

TRENCH CROSS SECTION FOR NON-PLASTIC PIPE
NOT TO SCALE

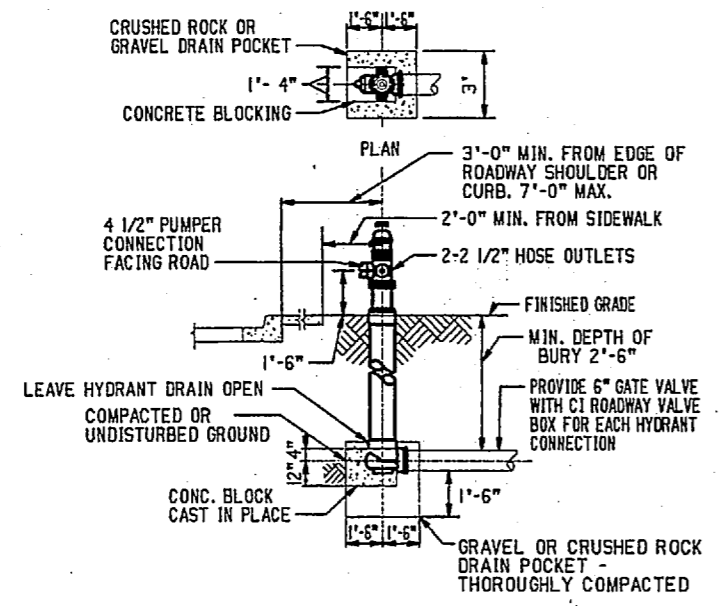


NOTE: PROVIDE BEDDING IN ACCORDANCE WITH THE SPECIFICATIONS.

TRENCH CROSS SECTION FOR PLASTIC PIPE
NTS



YARD HYDRANT DETAIL
NTS



FIRE HYDRANT
NTS

REVISIONS			
NO.	DESCRIPTION	DATE	APPROVED

RECORD DRAWING
LETTER DATED JAN 31 1951

C-9

DEPARTMENT OF THE NAVY
NAVAL HOSPITAL
CAMP LEJEUNE, N.C.

NAVAL FACILITIES ENGINEERING DIVISION
NOVOTON, VIRGINIA

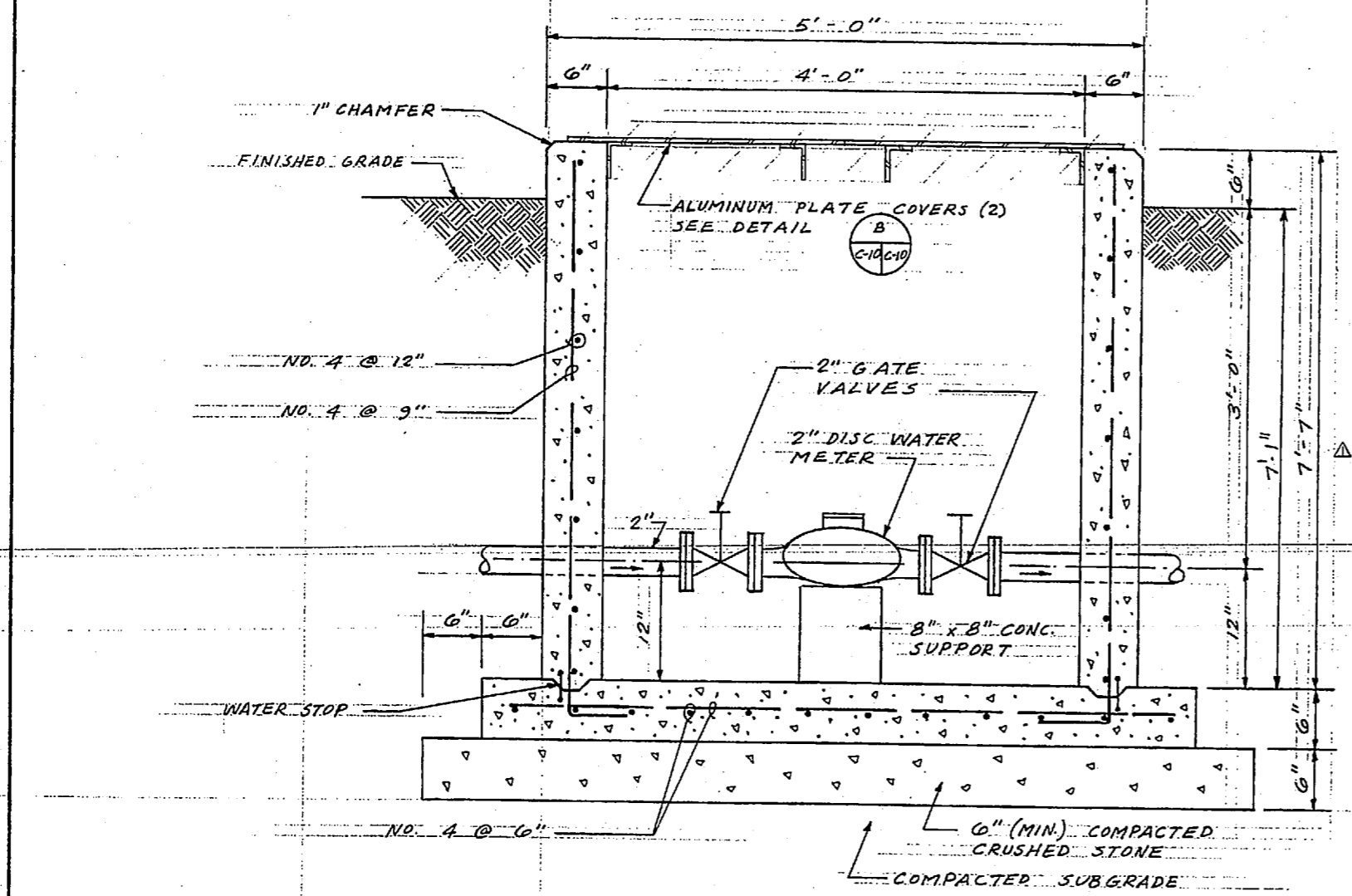
EDD NO. 257732
JOB ORDER NO. 5F5306
SPL. DRAWING P-72
DES. BY S.M.G. CHKD. BY Y.L.M.
APP'D. BY S.M.G. DATE 9-30-51
FOR 775 FOR EXCHANGE/ISSUE

BACHELOR ENLISTED QUARTERS

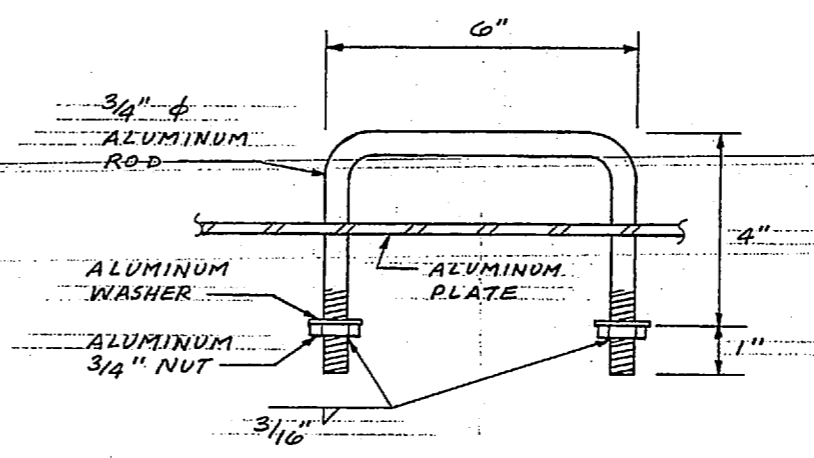
DETAILS
SIZE CODE IDENT. NO. 4157732
ACTIVITY-BATHS FACTORY TO 80091
REVISIONS 10 OF 68



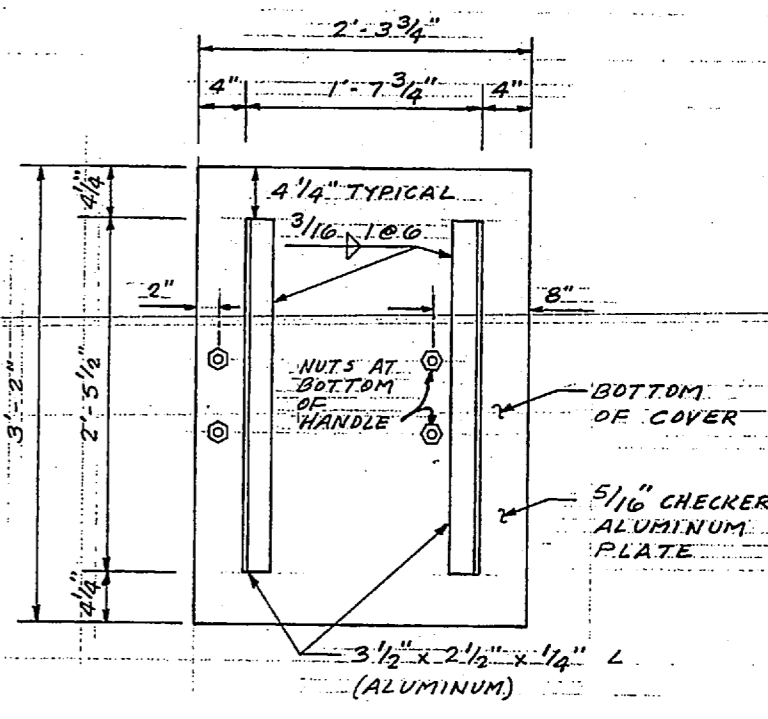
10 9 8 7 6 5 4 3 2 1



SECTION A
SCALE: 1/2" = 1'-0"

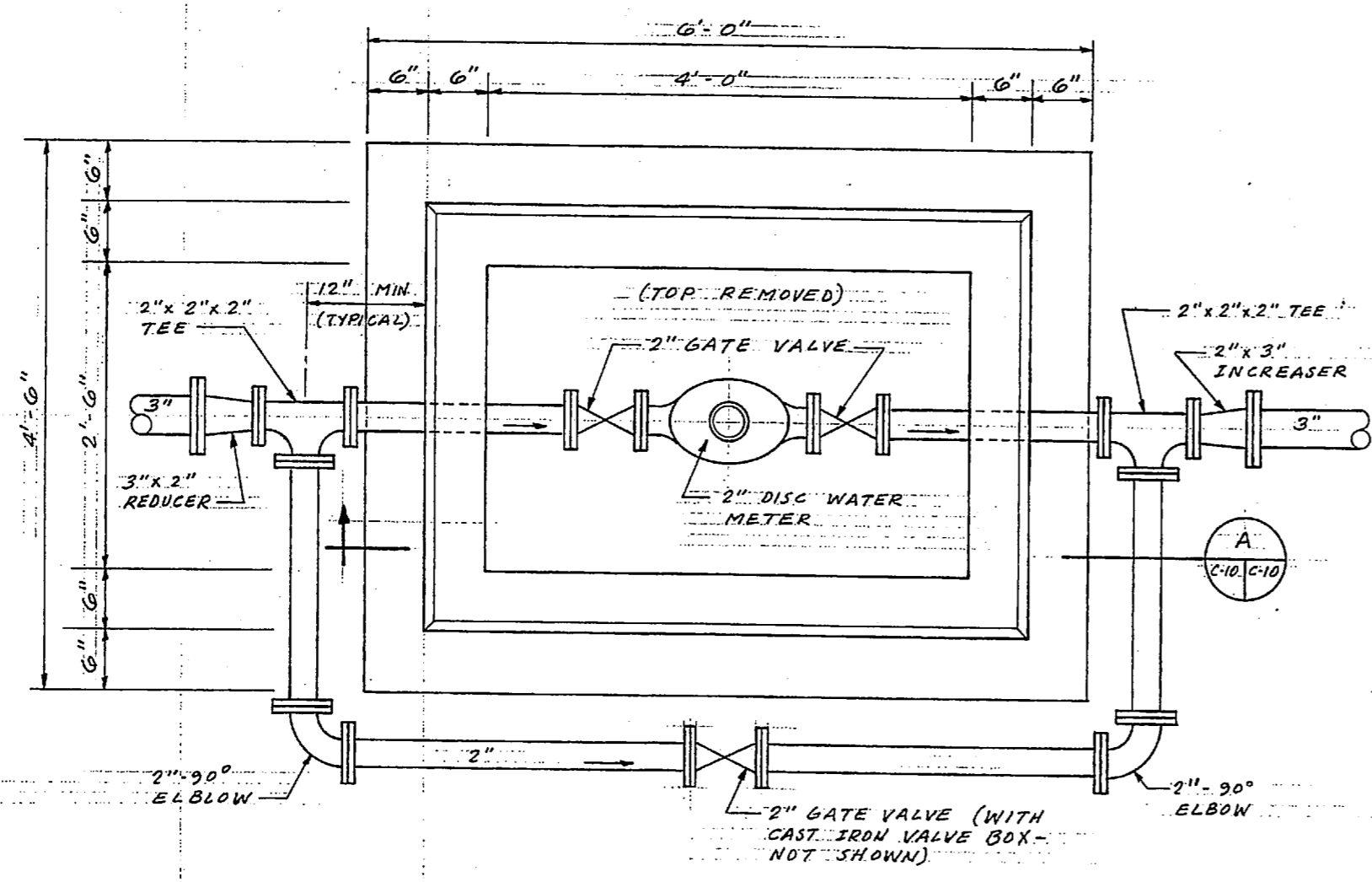


HANDLE
NO SCALE

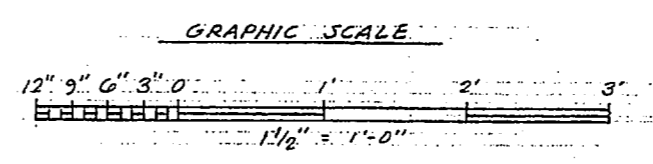


DETAIL B
SCALE: 1/2" = 1'-0"

REVISIONS			
NO.	DESCRIPTION	DATE	APPROVED
1	REVISED AS-BUILT	10-1-91	RSC



PLAN - WATER METER VAULT
SCALE: 1/2" = 1'-0"



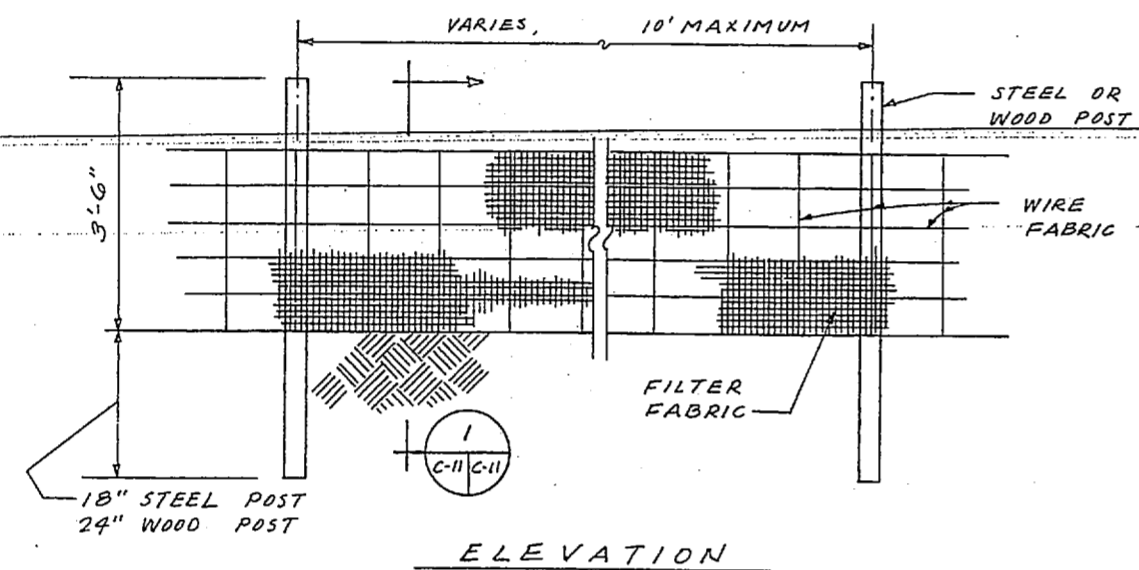
RECORD DRAWING LETTER DATED JAN 24 1991		C-10	
DEPARTMENT OF THE NAVY NAVAL FACILITIES ENGINEERING COMMAND NAVAL STATION NORFOLK, VA. NAVAL HOSPITAL, CAMP. LEJEUNE, N.C.			
BACHELOR ENLISTED QUARTERS WATER METER DETAILS			
EFD DWG. NO. 257733 JOB ORDER NO. 55506 STA. PROJ. NO. P-721 DES. RL1 PROJ. MGR. SING EFD. REV. JZZ BB. MGR. LM APPROVED DATE	NAVFAC DWMG. NO. 4, 157, 733 CODE BENT NO. 80091 CONSTR. CONTR. NO. N62470-85-B-5142 SCALE NOTED SPEC. 05-85-5306 SHEET 11 OF 68	SIZE F	NAVFAC DWMG. NO. 4, 157, 733

10 9 8 7 6 5 4 3 2 1

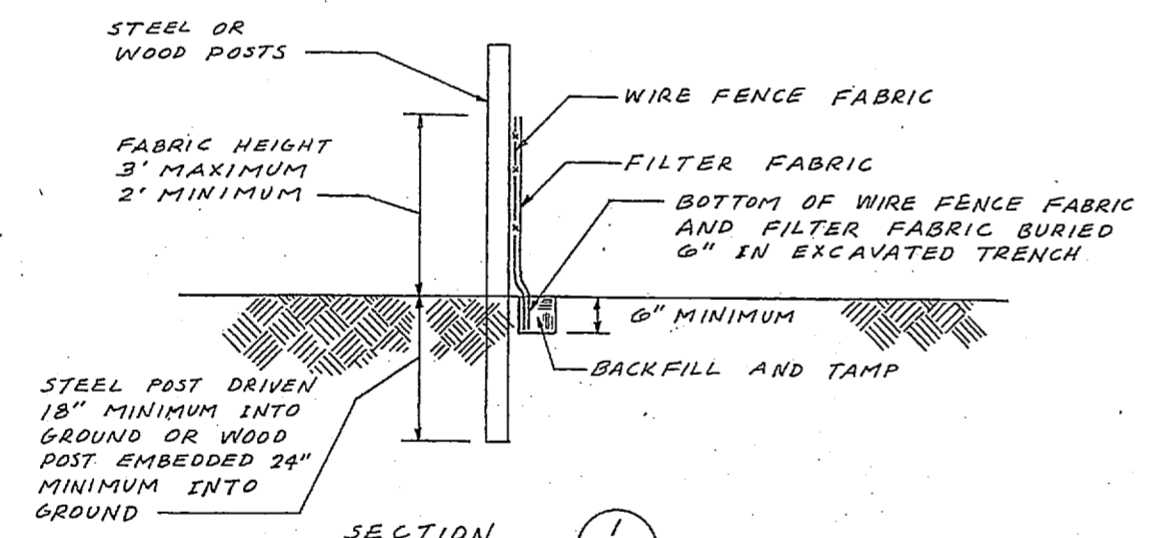


SILT FENCE NOTES

1. STEEL POSTS SHALL BE 5'-0" LONG, 1 3/4" WIDE, 1.33 POUNDS PER FOOT, AND HAVE PROJECTIONS FOR FASTENING THE WIRE TO THE FENCE.
2. WOOD POSTS SHALL BE 5'-6" MINIMUM LONG AND 3 TO 4" IN DIAMETER. WIRE FENCE FABRIC SHALL BE FASTENED TO WOOD POSTS WITH NOT LESS THAN NO. 9 STAPLES, 1 1/2" MINIMUM LENGTH, AT 9" O.C. MAXIMUM.
3. WIRE FENCE FABRIC SHALL BE AT LEAST 32" HIGH, AND SHALL HAVE AT LEAST 6 HORIZONTAL WIRES. VERTICAL WIRES SHALL BE SPACED 12" MAXIMUM APART. TOP AND BOTTOM WIRES SHALL BE AT LEAST 10 GAGE. ALL OTHER WIRES SHALL BE AT LEAST 12 1/2 GAGE.
4. FILTER FABRIC SHALL BE AS SPECIFIED. BURLAP FABRIC IS NOT PERMITTED.
5. FASTEN FILTER FABRIC TO WIRE FENCE FABRIC WITH WIRE HOB RINGS.



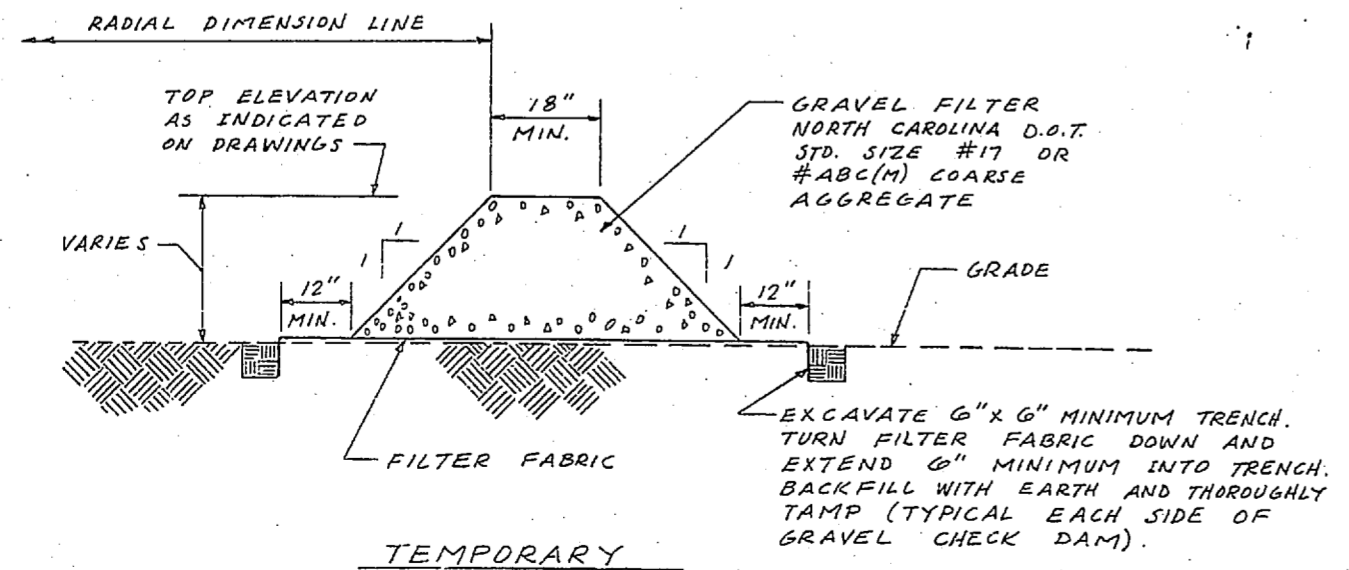
ELEVATION



SECTION

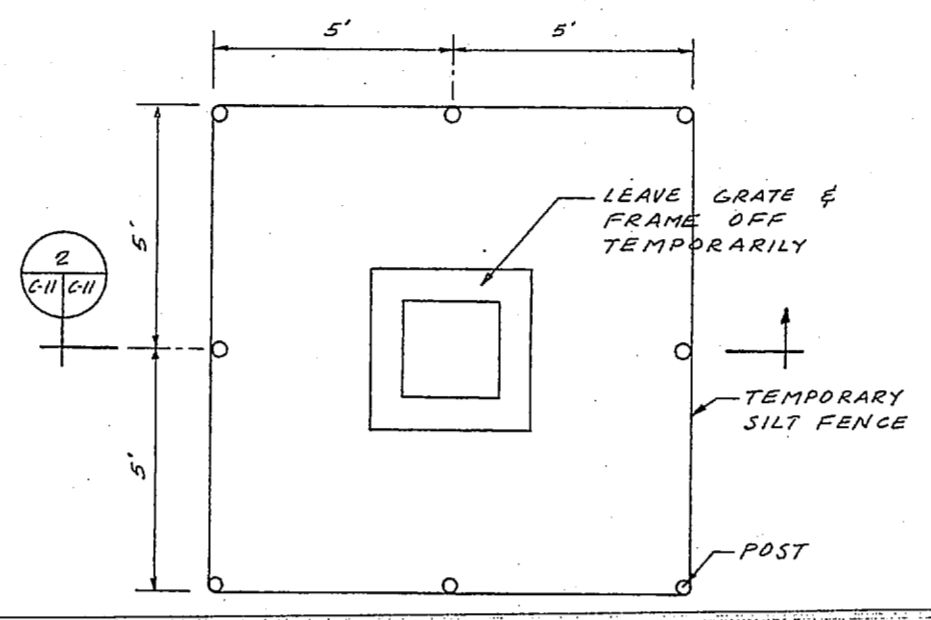
TEMPORARY SILT FENCE

NO SCALE

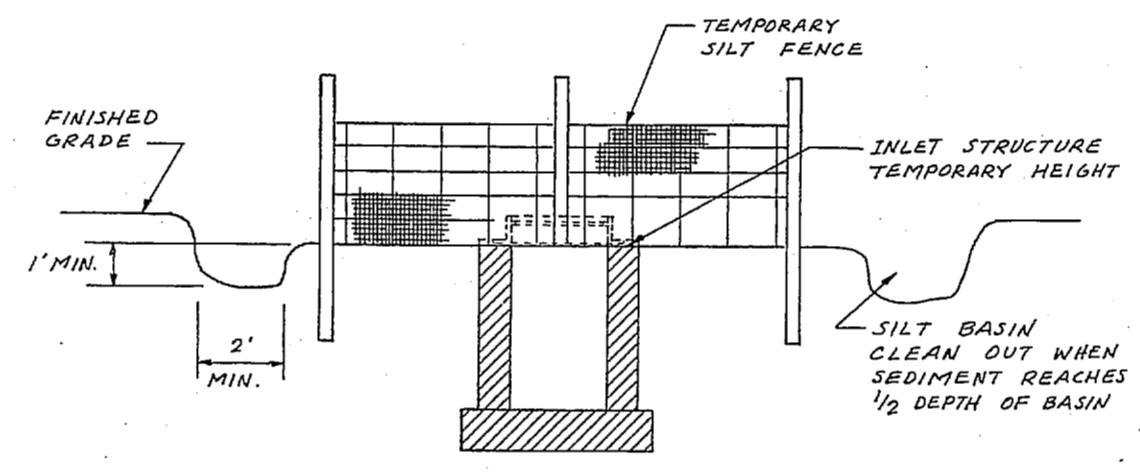


TEMPORARY GRAVEL CHECK DAM

NO SCALE



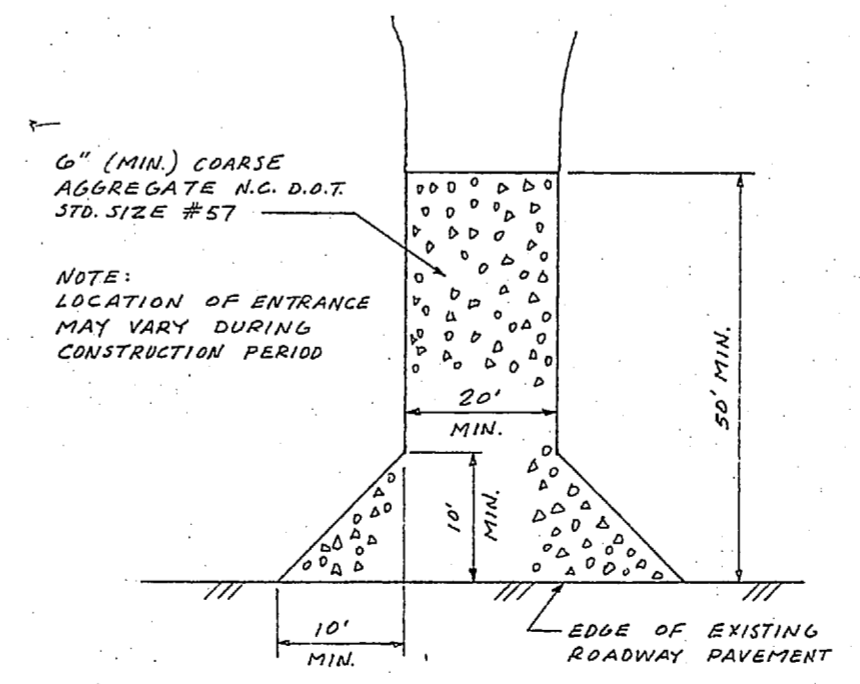
PLAN



SECTION

TEMPORARY SEDIMENT BARRIER AT CATCH BASIN

NO SCALE



TEMPORARY CONSTRUCTION ENTRANCE

NO SCALE

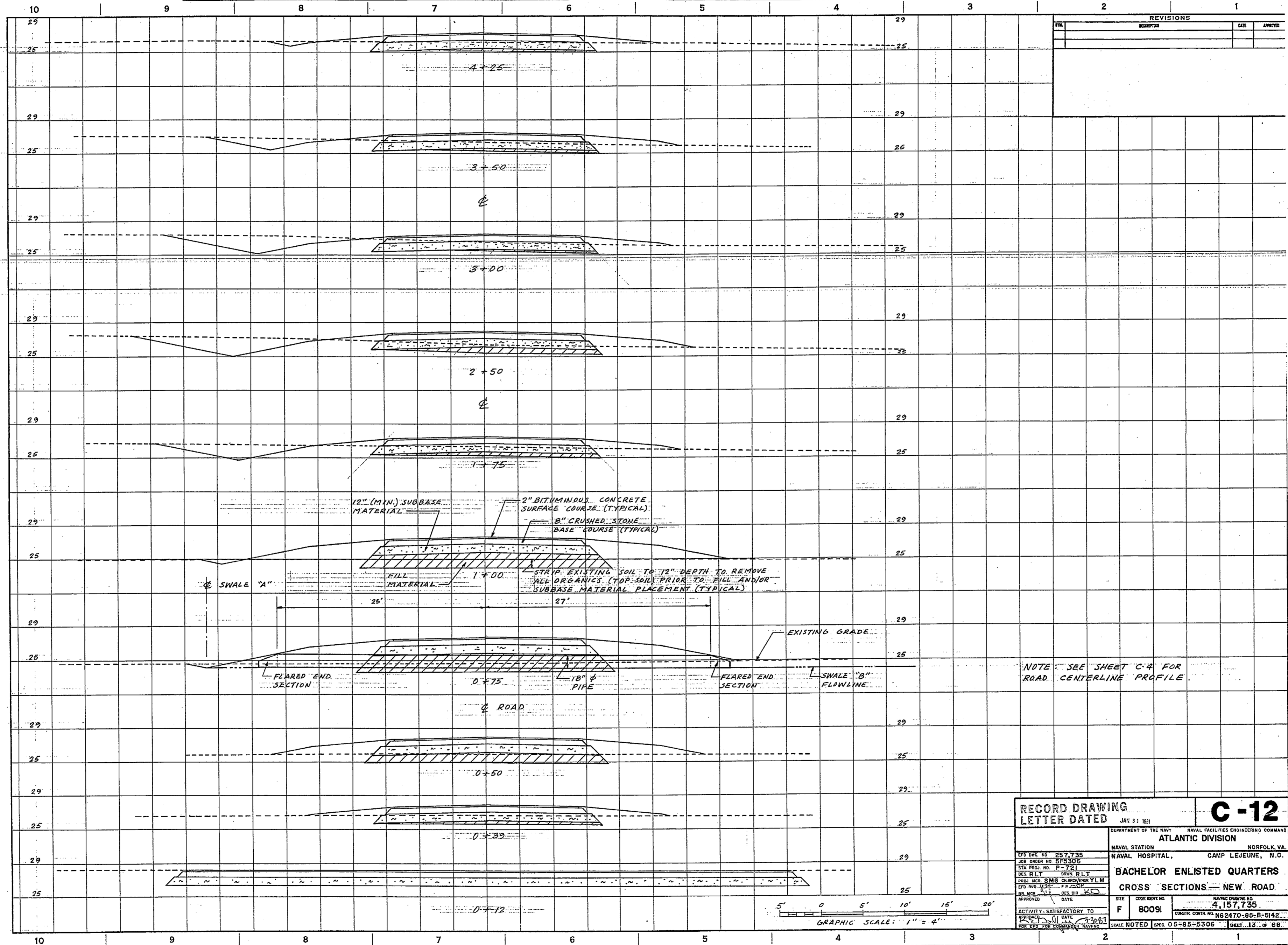
REVISIONS		
NO.	DESCRIPTION	DATE

EROSION CONTROL NOTES

1. ALL EROSION CONTROL DEVICES SHALL BE PROVIDED AND MAINTAINED AS REQUIRED TO ASSURE EFFECTIVE AND CONTINUOUS CONTROL. INSPECT IMMEDIATELY AFTER EACH RAINFALL AND AT LEAST DAILY DURING PROLONGED RAINFALL. ANY REQUIRED REPAIRS SHALL BE MADE IMMEDIATELY.
2. THE LOCATION AND SIZE OF EROSION CONTROL DEVICES ARE APPROXIMATE. THE DEVICES SHALL BE LOCATED GENERALLY AS SHOWN BUT THEIR LOCATIONS SHALL FACILITATE MAXIMUM PROTECTION FOR THE METHOD OF CONSTRUCTION UTILIZED.
3. ALL CONTROL DEVICES SHALL BE REMOVED DURING FINAL STAGES OF CONSTRUCTION. ANY AREAS DAMAGED BY THE DEVICES OR THEIR REMOVAL SHALL BE REPAIRED AND VEGETATED.
4. EROSION CONTROL METHODS OTHER THAN THOSE SHOWN ON THE DRAWINGS MAY BE UTILIZED IF APPROVED IN WRITING BY THE NORTH CAROLINA DEPT. OF NATURAL RESOURCES AND COMMUNITY DEVELOPMENT, (WILMINGTON, N.C.) AND THE CONTRACTING OFFICER PRIOR TO THEIR USE.
5. DUST CONTROL SHALL BE PROVIDED BY THE CONTRACTOR DURING THE ENTIRE CONSTRUCTION PERIOD. ALL DISTURBED OR DENUDED AREAS SHALL BE MAINTAINED WITH DUST SUPPRESSORS (WATER, CALCIUM CHLORIDE, ETC.) TO PROHIBIT ENVIRONMENTAL CONTAMINATION.
6. THE CONTRACTOR SHALL PLAN AND CONDUCT GRADING OR STRIPPING OPERATIONS IN A MANNER THAT WILL MINIMIZE THE EXTENT AND DURATION OF UNPROTECTED SOIL THAT HAS THE POTENTIAL OF ERODING.
7. THE CONTRACTOR SHALL PROVIDE TEMPORARY SEEDING OPERATIONS ON ALL DISTURBED OR DENUDED AREAS THAT REMAIN AS SUCH FOR 30 DAYS OR MORE. UPON COMPLETION OF FINE GRADING OPERATIONS ALL AREAS DISTURBED TO OBTAIN FINAL DESIGN GRADES SHALL FURTHER RECEIVE PERMANENT SEEDING OPERATIONS.
8. THE TEMPORARY CONSTRUCTION ENTRANCE SHALL BE CONSTRUCTED AND MAINTAINED IN A CONDITION THAT WILL PREVENT TRACKING OF MATERIALS ONTO ROADWAY PAVEMENTS. GRAVEL SURFACE SHALL BE PROVIDED WITH PERIODIC DRESSING OF ADDITIONAL GRAVEL AS CONDITIONS DEMAND. ALL MATERIALS TRACKED ONTO ROADWAY SHALL BE IMMEDIATELY REMOVED.
9. EXERCISE CARE DURING CONSTRUCTION TO PREVENT DAMAGE TO EXISTING TREES OCCURRING AT THE EDGE OF THE CLEARING LIMIT.
10. SEEDING OPERATIONS LIMIT SHALL EXTEND TO THE NEW WOODS LINE OR PAVEMENT EDGE, AND TO EXISTING VEGETATED AREAS DENUDED BY CONSTRUCTION.
11. ALL STORM INLETS AND PIPES SHALL BE CLEANED OF ERODED MATERIALS AT LAST STAGES OF CONSTRUCTION.
12. IF THE GRAVEL FILTER (GRAVEL CHECK DAM) BECOMES CLOGGED WITH SEDIMENT SO THAT IT NO LONGER PERFORMS ITS FUNCTION, THE GRAVEL MUST BE REMOVED, CLEANED AND REPLACED (OR PROVIDE NEW GRAVEL).

RECORD DRAWING		C-11	
LETTER DATED JAN 31 1991		NAVAL FACILITIES ENGINEERING COMMAND	
DEPARTMENT OF THE NAVY		ATLANTIC DIVISION	
NAVAL STATION		NORFOLK, VA	
NAVAL HOSPITAL, CAMP LEJEUNE, N.C.		BACHELOR ENLISTED QUARTERS	
EROSION CONTROL DETAILS		SCALE NOTED	
DESIGNED BY: SGT	DRAWN BY: RLT	DATE: 1/15/91	SCALE: 1/2" = 1'-0"
APPROVED: [Signature]	DATE: 1/15/91	SCALE: 1/2" = 1'-0"	SCALE: 1/2" = 1'-0"
ACTIVITY: BACHELOR ENLISTED QUARTERS	SCALE: 1/2" = 1'-0"	SCALE: 1/2" = 1'-0"	SCALE: 1/2" = 1'-0"
SCALE: 1/2" = 1'-0"	SCALE: 1/2" = 1'-0"	SCALE: 1/2" = 1'-0"	SCALE: 1/2" = 1'-0"



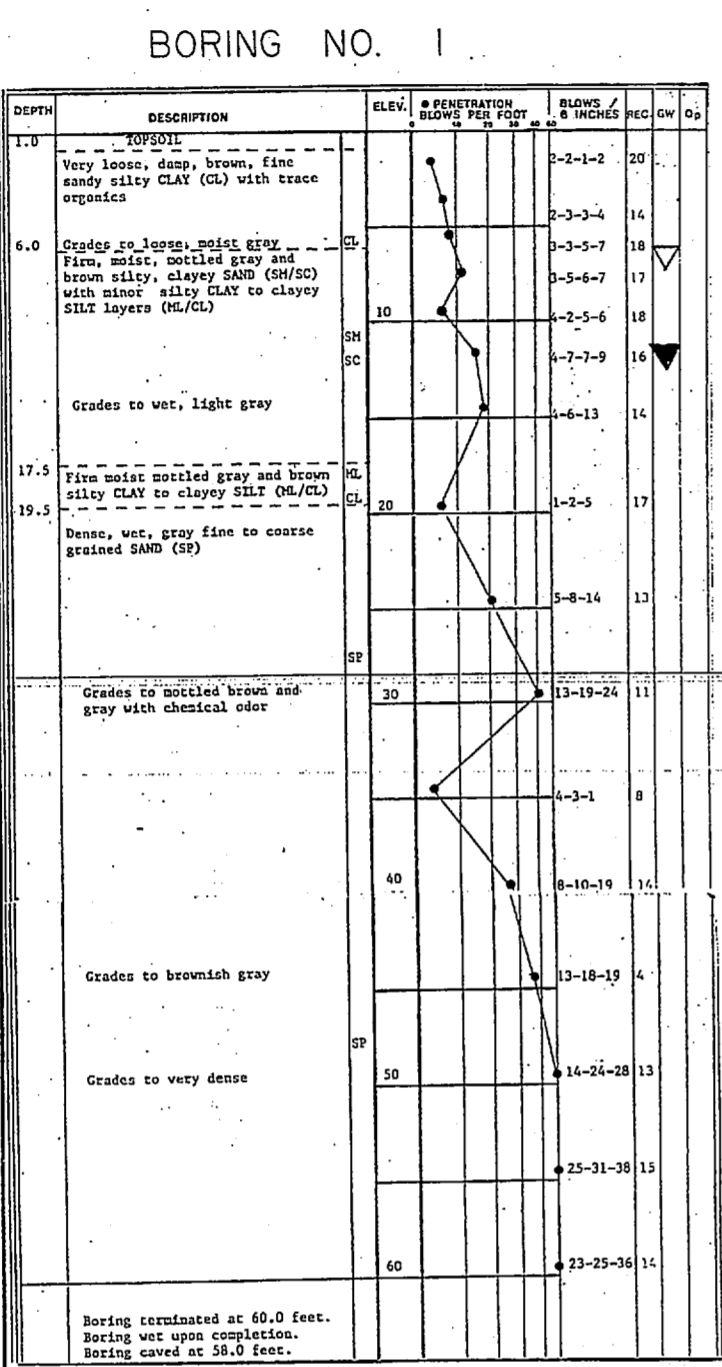


REVISIONS		
NO.	DESCRIPTION	DATE

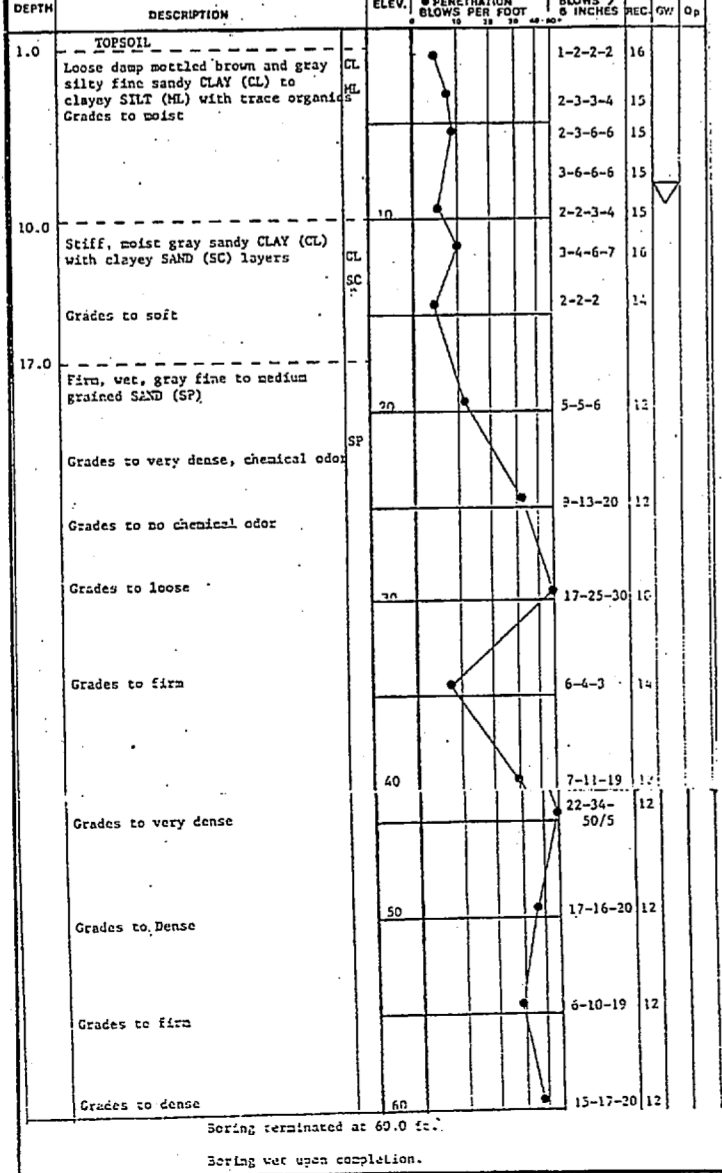
RECORD DRAWING		C-12
LETTER DATED JAN 31 1951		
DEPARTMENT OF THE NAVY NAVAL FACILITIES ENGINEERING COMMAND		
ATLANTIC DIVISION		
NAVAL STATION NORFOLK, VA.		
NAVAL HOSPITAL, CAMP LEJEUNE, N.C.		
BACHELOR ENLISTED QUARTERS		
CROSS SECTIONS - NEW ROAD		
EFD DWG NO. 257,735	SIZE F	CODE BERT NO. 80091
JOB ORDER NO. 5F5306	DRAWING NO. 4,157,735	
STA PROJ. NO. P-721	CONSTR. CONTR. NO. N62470-85-B-5142	
DES. RLT. SMG RLT	SCALE NOTED SPEC. 05-85-5306 SHEET 13 OF 68	
PROJ. MGR. SMG CLARK/ENG. YLM		
EFD. AND DATE 1/25/51 F.P. 2501		
APPROVED DATE 1/25/51		
ACTIVITY - SATISFACTORY TO APPROVED DATE 1/25/51		
FOR EFD. FOR TECHNICAL SERVICE		



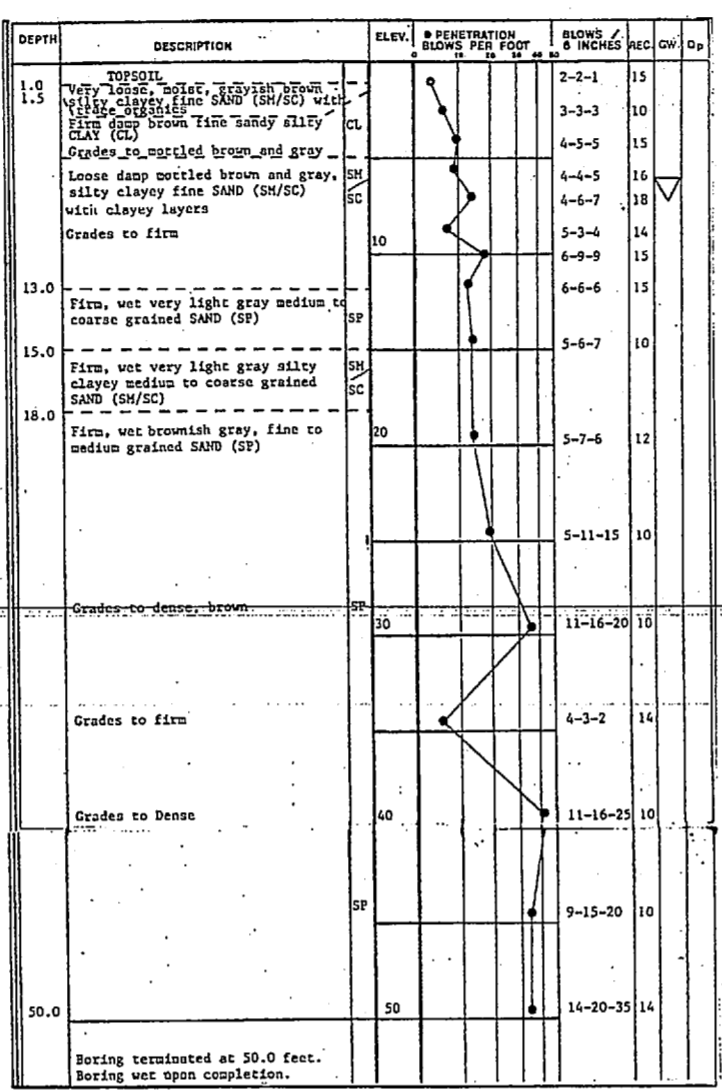
10 9 8 7 6 5 4 3 2 1 BORING NO. 1



10 9 8 7 6 5 4 3 2 1 BORING NO. 5



10 9 8 7 6 5 4 3 2 1 BORING NO. 2



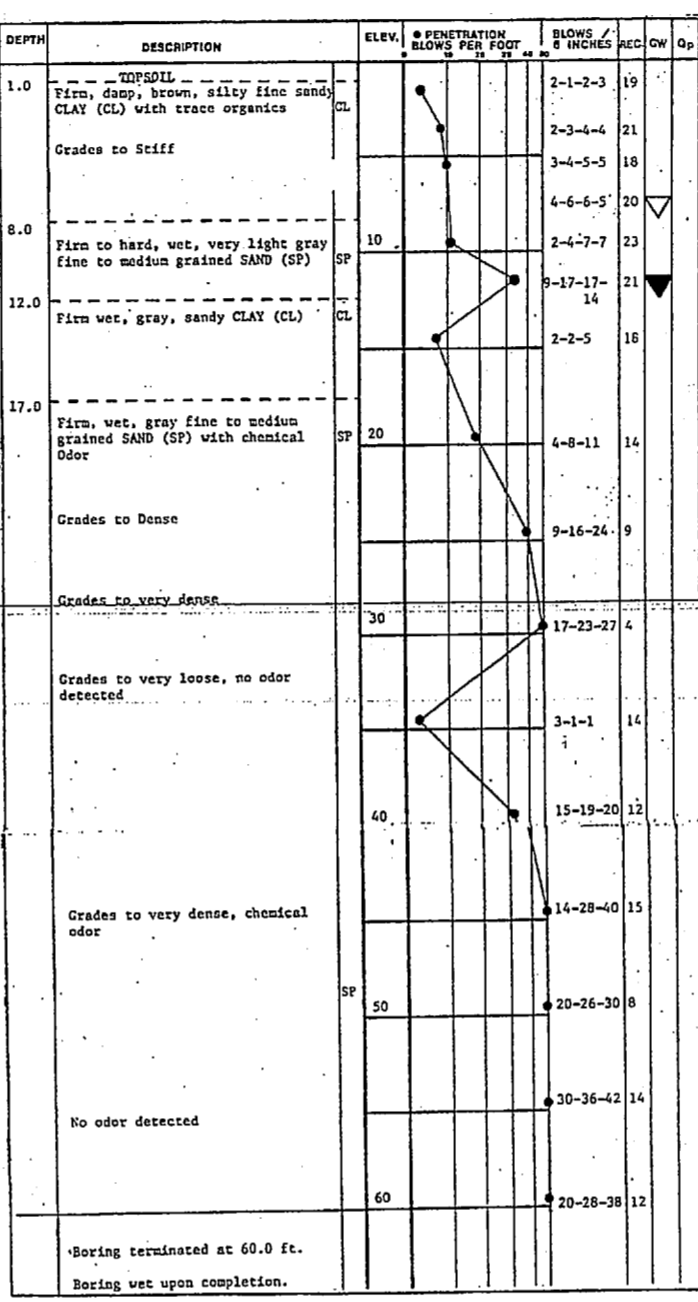
HAND AUGER NO. 1

Table for Hand Auger No. 1 showing depth, soil description, and remarks. Depth ranges from 0.0 to 10.0 feet.

HAND AUGER NO. 4

Table for Hand Auger No. 4 showing depth, soil description, and remarks. Depth ranges from 0.0 to 10.0 feet.

10 9 8 7 6 5 4 3 2 1 BORING NO. 3



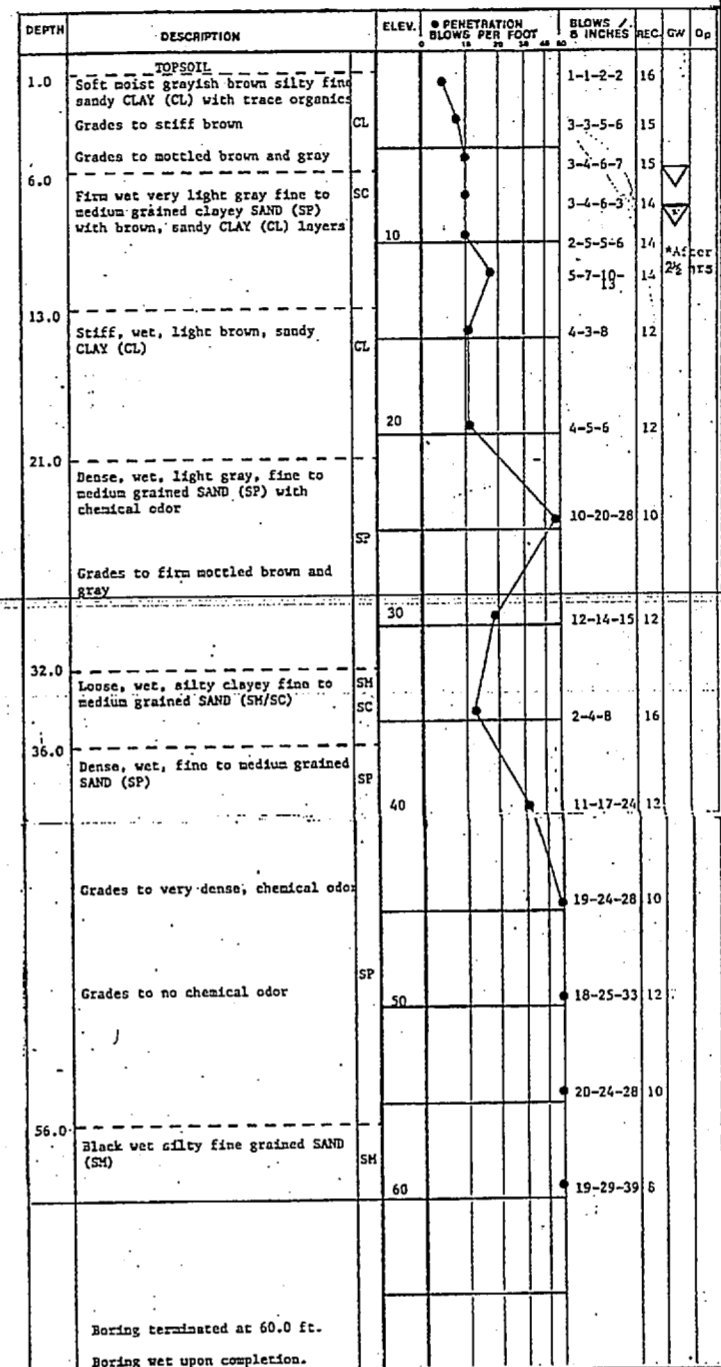
HAND AUGER NO. 2

Table for Hand Auger No. 2 showing depth, soil description, and remarks. Depth ranges from 0.0 to 10.0 feet.

HAND AUGER NO. 5

Table for Hand Auger No. 5 showing depth, soil description, and remarks. Depth ranges from 0.0 to 10.0 feet.

10 9 8 7 6 5 4 3 2 1 BORING NO. 4



HAND AUGER NO. 3

Table for Hand Auger No. 3 showing depth, soil description, and remarks. Depth ranges from 0.0 to 10.0 feet.

HAND AUGER NO. 6

Table for Hand Auger No. 6 showing depth, soil description, and remarks. Depth ranges from 0.0 to 10.0 feet.

REVISIONS

Table for Revisions with columns for No., Description, Date, and Appr'd.

HAND AUGER NO. 7

Table for Hand Auger No. 7 showing depth, soil description, and remarks. Depth ranges from 0.0 to 7.2 feet.

LEGEND FOR GROUNDWATER OBSERVATIONS

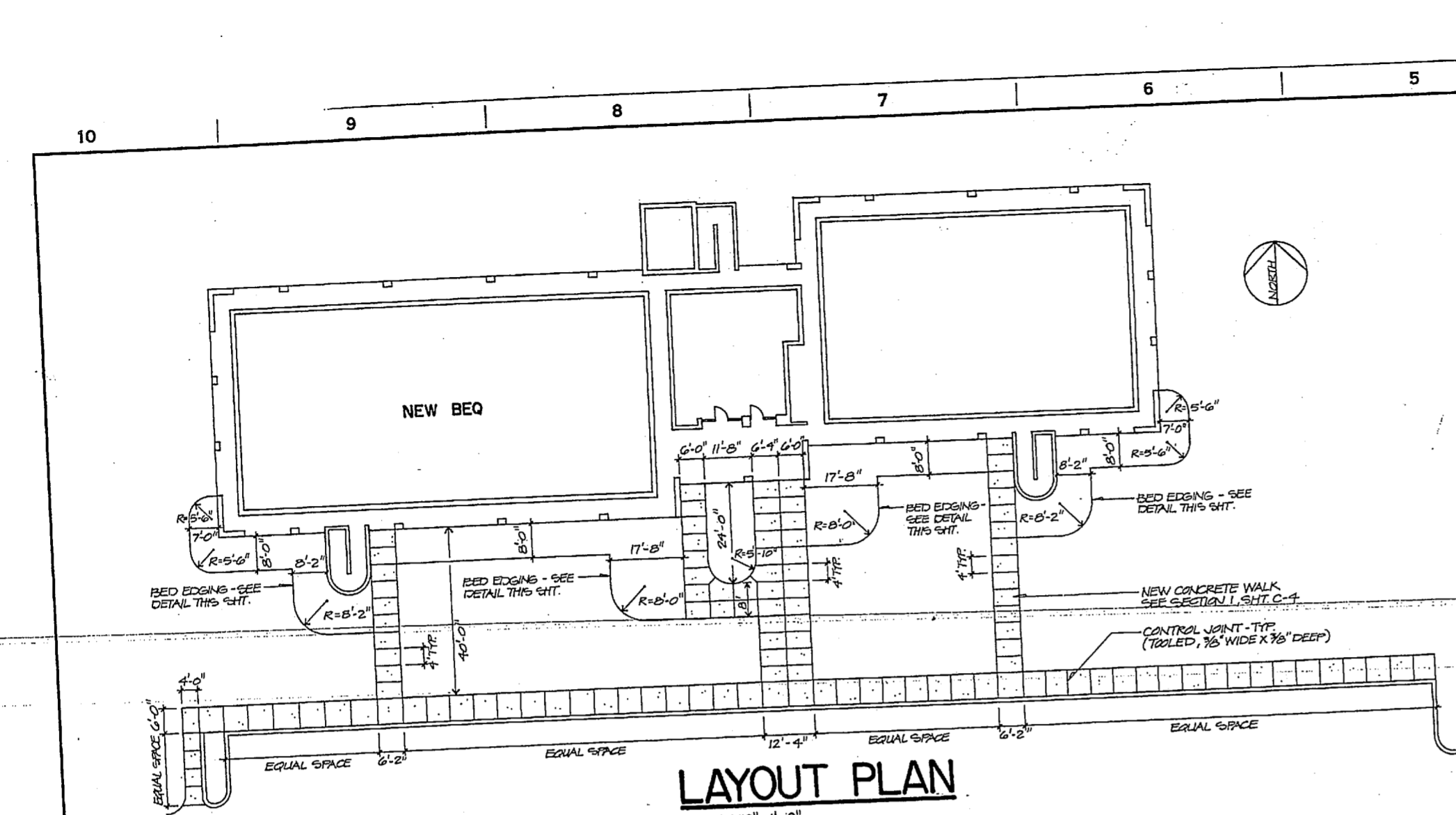
Legend for Groundwater Observations and Moisture Contents table with columns for Boring No., Depth, Natural Moisture, etc.

SOIL BORING GENERAL NOTES

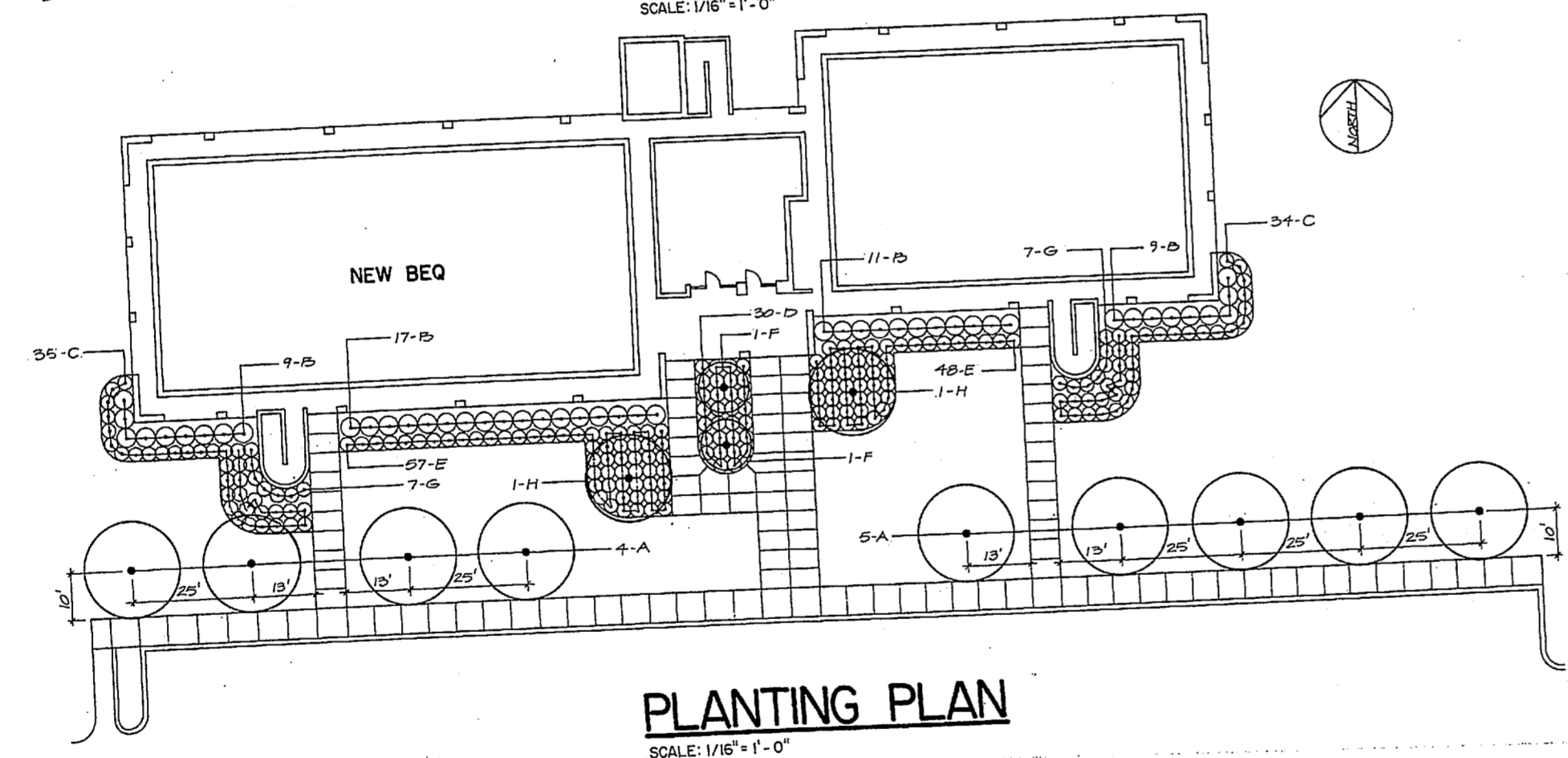
- List of 14 general notes regarding soil boring procedures, standards, and data recording.

RECORD DRAWING LETTER DATED JAN 31 1981 B-1

Project information block including Department of the Navy, Atlantic Division, Naval Station Norfolk, VA, and project name Bachelor Enlisted Quarters.



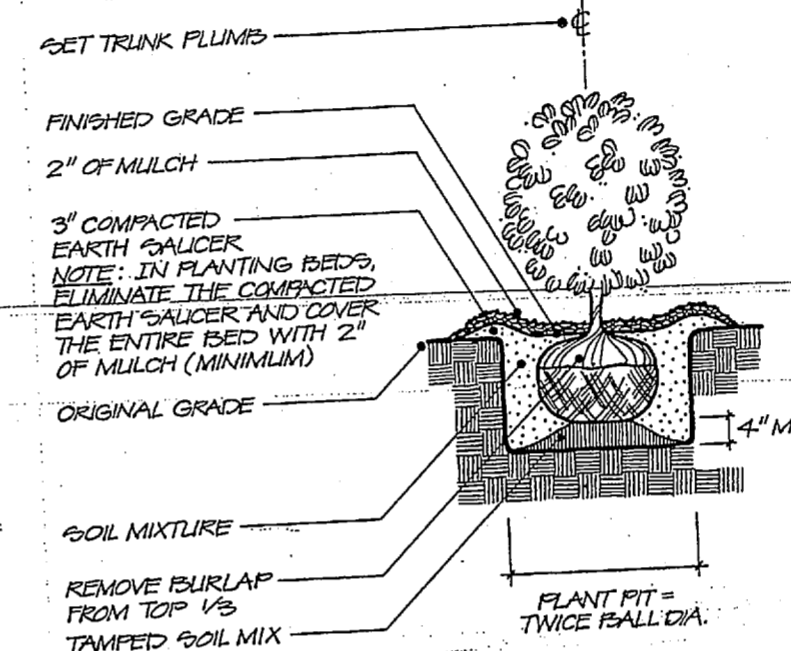
LAYOUT PLAN
SCALE: 1/16" = 1'-0"



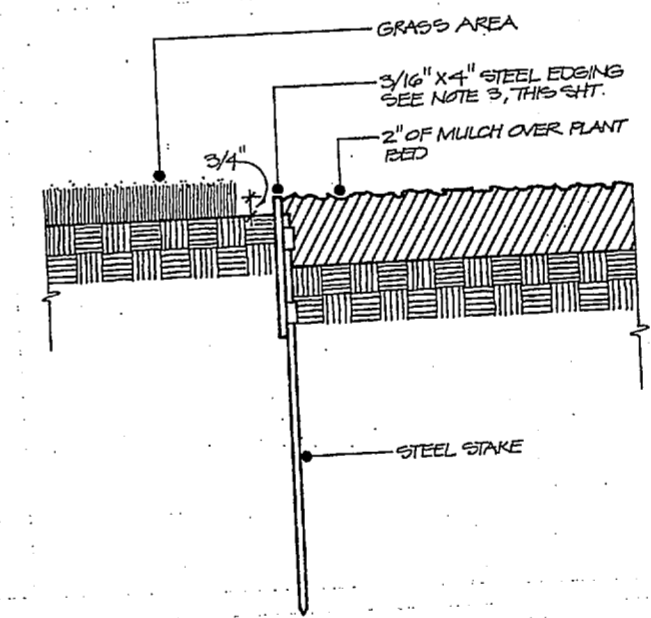
PLANTING PLAN
SCALE: 1/16" = 1'-0"

GENERAL NOTES

1. VERIFICATION OF TOTAL QUANTITIES AS SHOWN IN THE PLANT SCHEDULE SHALL BE THE RESPONSIBILITY OF THE PLANTING CONTRACTOR AND THE KEYS PLAN SHALL GOVERN.
2. ALL PLANTS SHALL BEAR THE SAME RELATIONSHIP TO FINISH GRADE AS THEY DID TO THEIR PREVIOUS EXISTING GRADE.
3. TOTAL BED EDGING EQUALS 292 1/2 LINEAR FT.

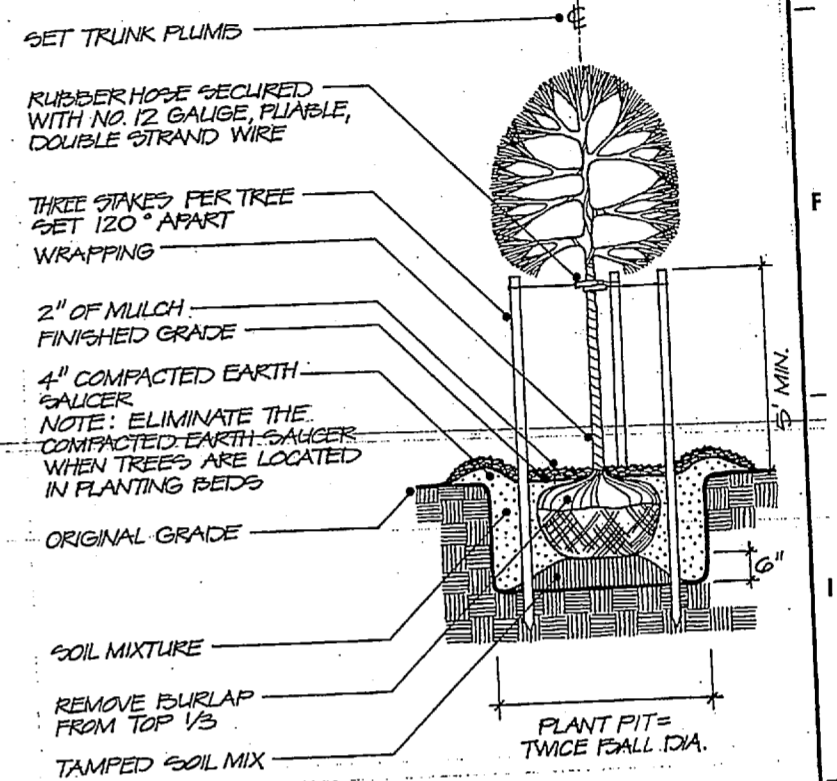


PLANTING METHOD NO. 1
NOT TO SCALE

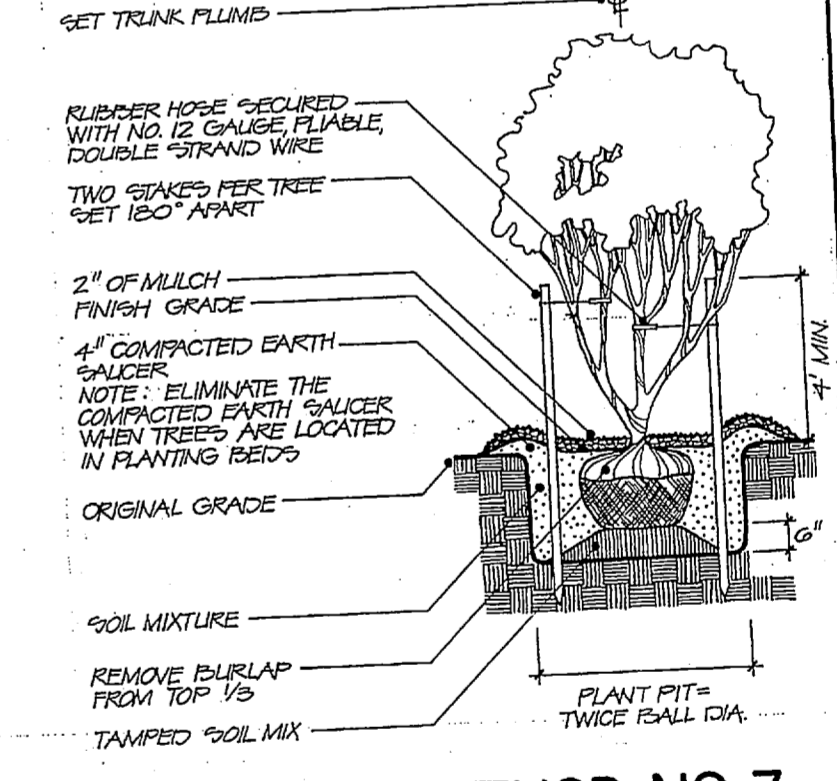


BED EDGING DETAIL
NOT TO SCALE

REVISIONS		
NO.	REVISION	DATE



PLANTING METHOD NO. 2
NOT TO SCALE

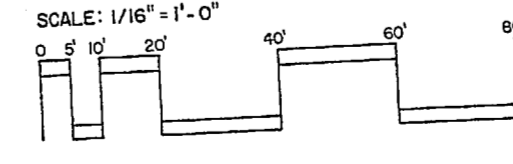


PLANTING METHOD NO. 3
NOT TO SCALE

PLANT SCHEDULE

KEY	BOTANICAL NAME COMMON NAME	PLANTING METHOD NO.	SIZE HEIGHT SPREAD	CALIPER	ROOT	QUANTITY	REMARKS
A	ACER RUBRUM 'OCTOBER GLORY' FRIND. 2116 OCTOBER GLOSTY RED MAPLE	2	14'-16'	3/8"-4"	B & B	9	FULL HEADS
B	ILEX CORNUTA 'BURFORDII NANA' DWARF BURFORD HOLLY	1	24"-30"		B & B OR CONTAINER	46	SPACE AT 4' O.C.
C	ILEX CORNUTA 'ROSLINDEN' DWARF CHINESE HOLLY	1	18"-24"		CONTAINER	69	SPACE AS SHOWN
D	ILEX CORNUTA 'HELLERI' DWARF JAPANESE HOLLY	1	18"-24"		CONTAINER	30	SPACE AS SHOWN
E	ILEX VOMITORIA 'NANA' DWARF YAUPOIN HOLLY	1	18"-24"		CONTAINER	105	SPACE AS SHOWN
F	LASIOSTYCHIA INDICA 'WATERMELON RED' RED FLOWERING CRABAPPLE	3	6'-8'		B & B	2	MULTI-STEMMED
G	HEAVENLY BAMBOO	1	30"-36"		B & B OR CONTAINER	14	SPACE AT 3' O.C.
H	PIRUS CALLISTRYA 'BRADFORD' BRADFORD PEAR	2	8'-10'	2"-2 1/2"	B & B	2	FULL HEADS

GRAPHIC SCALE



RECORD DRAWING
LETTER DATED JAN 31 1991

L-1

DEPARTMENT OF THE NAVY
NAVAL FACILITIES ENGINEERING COMMAND
ATLANTIC DIVISION

NAVAL STATION
NAVAL HOSPITAL
CAMP LEJEUNE, N.C.

NAVFAC DRAWING NO. 415737

PLANTING PLAN, SCHEDULE & DETAILS

SIZE: 80091

SCALE: AS NOTED SPEC 05-85-5306 SHEET 15 OF 65



10 9 8 7 6 5 4 3 2 1

--- 2 HOUR RATED FIREWALL
 - - - 1 HOUR RATED FIREWALL

GENERAL NOTES:
 1. ROOM NUMBERS ARE PROVIDED FOR CONSTRUCTION PURPOSES.
 2. FINISH SCHEDULE APPLIES TO BOTH 1ST & 2ND FLOORS

FINISH SCHEDULE										
ROOM NAME	FLOOR	COLOR	BASE	COLOR	WALLS	COLOR	CEILING	COLOR	CEILING HEIGHT	NOTES
SLEEPING ROOM	VCT	AA	VINYL	BB	CMU - PTD.	CC	CONC/GWB	DD	9'-4"/7'-3"	3, 4
PRIVATE TOILET	CT	EE	CT	HH	CMU - PTD./CT	CC/HH	GWB/CT	DD/HH	7'-3"	2
LAUNDRY	ELAS. TOPPING	FF	ELAS. TOPPING	FF	CMU - PTD.	CC	GWB	DD	7'-11"	1
ELEC	SEALED CONC.	-	-	-	CMU	-	CONC	-	9'-4"	1
PUBLIC TOILET	CT	EE	CT	HH	CMU - PTD./CT	CC/HH	GWB	DD	7'-11"	2
PIPE CHASE	SEALED CONC.	-	-	-	CMU	-	CONC	DD	9'-4"	1
J. C.	SEALED CONC.	-	VINYL	BB	CMU	-	CONC	DD	9'-4"	1
LOBBY	QT	II	QT	II	ACRYLIC PLASTER	JJ	GWB	DD	7'-11"	
CHECK-IN	QT	II	QT	II	ACRYLIC PLASTER	JJ	GWB	DD	7'-11"	
HOUSEKEEPING	VCT	AA	VINYL	BB	CMU - PTD.	CC	GWB	DD	7'-11"	
LINEN STOR.	VCT	AA	VINYL	BB	CMU - PTD.	CC	GWB	DD	9'-4"	4
BAG STOR.	VCT	AA	VINYL	BB	CMU - PTD.	CC	CONC	DD	9'-4"	
MECHANICAL	SEALED CONC.	-	-	-	CMU	-	CONC	-	9'-4"	
LOUNGE	VCT	AA	VINYL	BB	CMU-PTD	CC	GWB	DD	7'-11"	

REVISIONS		
NO.	DESCRIPTION	DATE

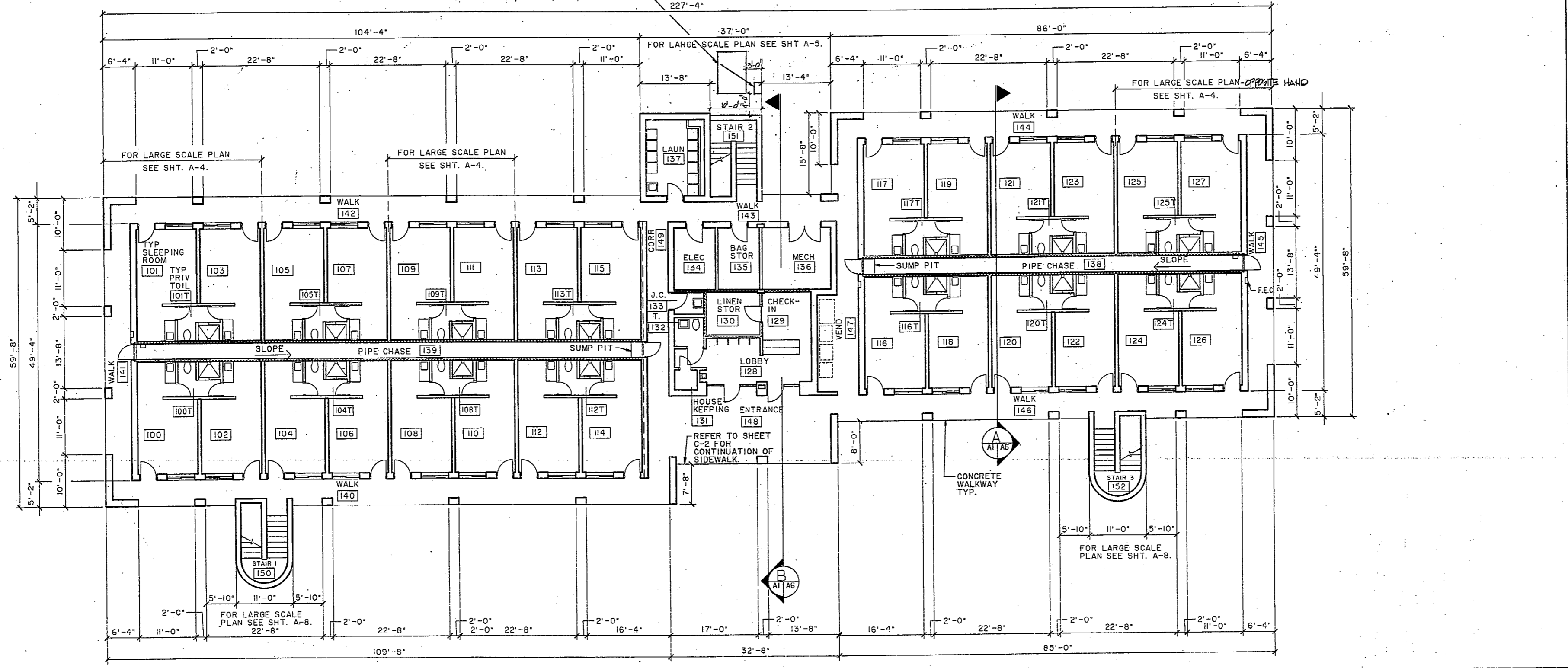
1. PROVIDE BRUSH FINISH ON CONCRETE FLOOR AT ENTRANCE, BALCONIES, WALKWAYS, AND AS INDICATED IN INTERIOR AREAS.

2. PROVIDE CT WAINSCOT TO 4'-0" ABOVE FINISHED FLOOR. PROVIDE CT FLOOR WALLS IN SHOWER.

3. PARTIAL GWB CEILING - SEE REFLECTED CEILING PLAN SHIT A-15

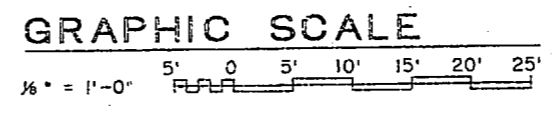
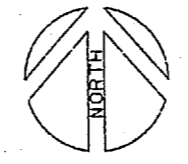
4. SIMULATED ACOUSTICAL FINISH ON CONC. CEILING

CONCRETE CHILLER PAD (APPROX. 5'-6" X 8'-0") & MECH. PIPE PAD (APPROX. 10' X 4') COORDINATE W/ MECH. FOR EXACT SIZES



FIRST FLOOR PLAN

SCALE 1/8" = 1'-0"



RECORD DRAWING LETTER SIZED		A-1	
DEPARTMENT OF THE NAVY NAVAL FACILITIES ENGINEERING COMMAND ATLANTIC DIVISION			
JOB ORDER NO. 257738		NAVAL HOSPITAL CAMP LE JEUNE, N.C.	
JOB ORDER NO. SF5306		BACHELOR ENLISTED QUARTERS	
FIRST FLOOR PLAN			
DESIGNER: YLM		CHECKER: YLM	
DRAWN BY: YLM		DATE: 12-26-87	
APPROVED: [Signature]		SCALE AS NOTED SHEET 05-85-5306 SHEET 16 OF 68	

10 9 8 7 6 5 4 3 2 1

COLOR SCHEDULE

AA VINYL COMPOSITION TILE
 MANUFACTURER: KENTILE
 STYLE: "RUSTIC STONE"
 COLOR: 1071 EARTHEN BROWN

BB FOUR INCH VINYL COVE BASE
 MANUFACTURER: KENTILE
 STYLE: GROUP I
 COLOR: KC-3 BURNT UMBER

CC PAINTED WALLS
 MANUFACTURER: BENJAMIN MOORE
 COLOR NUMBER: HC-84

DD PAINTED CEILINGS
 MANUFACTURER: BENJAMIN MOORE
 COLOR NUMBER: CW-50

EE CERAMIC MOSAIC FLOOR TILE
 INSTALLATION PATTERN: "SPIRAL"
 FIELD TILE:
 MANUFACTURER: DAL-TILE
 SIZE OF TILE: 1 INCH BY 2 INCH
 COLOR: DK-157 TAINSTONE
 FINISH: ABRASIVE

EE ELASTOMERIC TOPPING FOR CONCRETE FLOOR AND BASE:
 MANUFACTURER: DEX-O-TEX
 COLOR: 619 RED

GG PAINTED METAL DOOR FRAMES
 PAINT MANUFACTURER: BENJAMIN MOORE
 COLOR: HC-87

HH CERAMIC WALL TILE:
 MANUFACTURER: DAL-TILE
 SIZE: APPROXIMATELY 4 INCH BY 4 INCH
 COLOR: D-725 DOVE
 FINISH: MANUFACTURER'S STANDARD SATIN

II QUARRY TILE:
 INSTALLATION PATTERN: "HERRINGBONE"
 MANUFACTURER: DAL-TILE
 SIZE: 4 INCH BY 8 INCH
 STYLE: "DAL-PAVER"
 COLOR: BARN GRAY

JJ ACRYLIC PLASTER WALL FINISH:
 MANUFACTURER: STO INDUSTRIES, INC.
 COLOR: MATCH BENJAMIN MOORE PAINT COLOR HC-87
 FINISH TEXTURE: "FLOAT"

KK PAINTED METAL DOORS:
 PAINT MANUFACTURER: BENJAMIN MOORE
 COLOR: HC-87

LL MM & NN
 CHECK-IN COUNTER-PLASTIC LAMINATE FINISHES:
 MANUFACTURER: FORMICA
 COLORS:
 LL: 966-C BURGUNDY (COLORCORE)
 MM: AX36 "STEEL TONED ALUMINUM TRIANGLE" (METAL LAMINATE)
 NN: 939 SABLE, MATTE FINISH

NON COLOR-CODED FINISHES:
 1. ONE-INCH HORIZONTAL SLAT WINDOW BLINDS:
 MANUFACTURER: LEVOLOR
 STYLE: "RIVIERA"
 COLOR: INCA SILVER

2. WARDROBE CABINETS-PLASTIC LAMINATE FINISH:
 MANUFACTURER: FORMICA
 CABINET (ALL EXPOSED SURFACES INCLUDING TOP AND BACK)
 COLOR: 913 INDIAN SMOKE, MATTE FINISH
 DOORS (ALL EXPOSED SURFACES)
 COLOR: 7155 WHITE FLAX, FLAX FINISH

SINK VANITIES - PLASTIC LAMINATE FINISH:
 MANUFACTURER: FORMICA
 COLOR: 913 INDIAN SMOKE, MATTE FINISH

3. ONE INCH NARROW SLAT HORIZONTAL BLINDS:
 MANUFACTURER: LEVOLOR LORENTZEN
 STYLE: "RIVIERA"
 COLOR: INCA SILVER

4. WARDROBE CABINETS - FINISHES:
 PLASTIC LAMINATE MANUFACTURER: FORMICA
 DOORS - ALL EXPOSED SURFACES
 COLOR: 7155 WHITE FLAX, FLAX FINISH
 CABINET - ALL EXPOSED SURFACES
 COLOR: 913 INDIAN SMOKE, MATTE FINISH

5. SINK VANITIES - FINISH:
 PLASTIC LAMINATE MANUFACTURER: FORMICA
 COLOR: 913 INDIAN SMOKE, MATTE FINISH

6. WOOD DOORS, MISCELLANEOUS WOOD TRIM AND SHELVING:
 RED OAK WITH CLEAR, NATURAL FINISH

7. SWITCH PLATES, CONVENIENCE OUTLET PLATES, TELEPHONE OUTLET PLATES: OFF-WHITE

8. WATER CLOSETS, SINKS, BATH/SHOWERS, LAVATORIES: WHITE

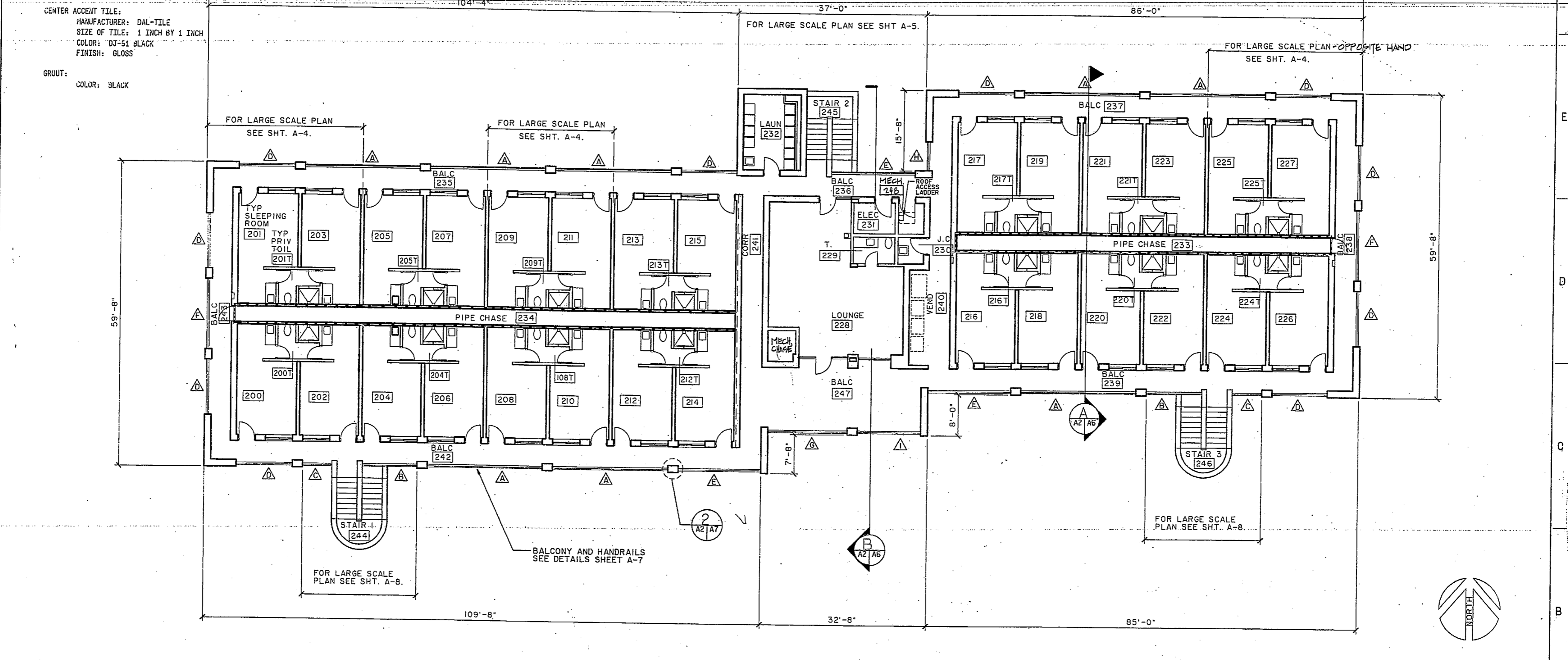
9. FIRE EXTINGUISHERS AND CABINETS:
 FEDERAL STANDARD COLOR 595A, 11105

10. MISCELLANEOUS SURFACES REQUIRING FIELD PAINTING:
 PAINT TO MATCH ADJACENT SURFACE.

REVISIONS		
NO.	DESCRIPTION	DATE

--- 2 HOUR RATED FIRE WALL
 --- 1 HOUR RATED FIRE WALL

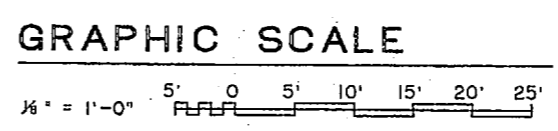
NOTE: MANUFACTURERS SPECIFIED ABOVE PER QUALITY, TEXTURE, PATTERN & COLOR.



SECOND FLOOR PLAN

SCALE : 1/8" = 1' - 0"

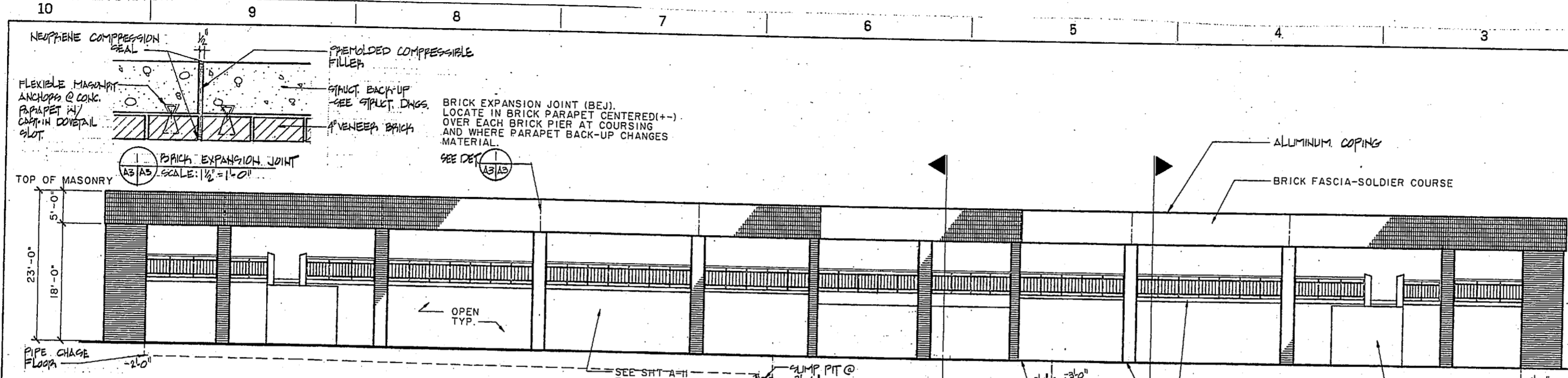
NOTE: SEE SHT. A-1 FOR TYPICAL DIMENSIONS



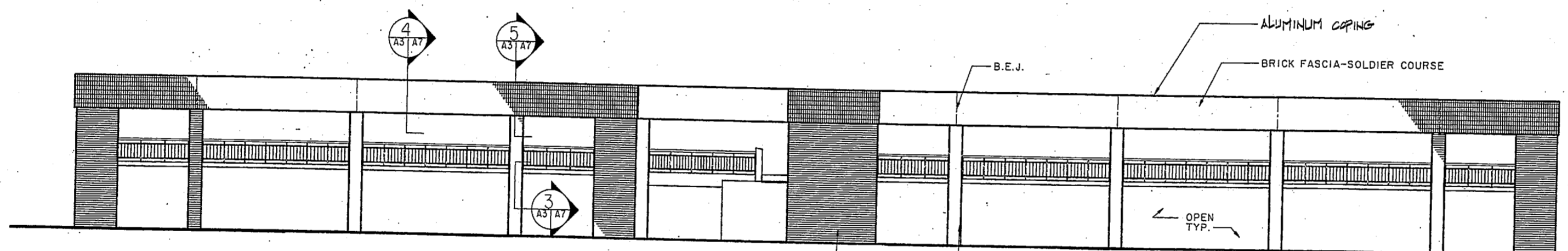
RECORD DRAWING LETTER DATED 11/11/51		A-2	
DEPARTMENT OF THE NAVY NAVAL HOSPITAL, CAMP LEJEUNE, N.C.			
NAVAL FACILITIES ENGINEERING DIVISION			
NAVAL STATION			
DESIGN NO. 257739	REV. NO. 55306	NAVAL HOSPITAL CAMP LEJEUNE, N.C.	
DES. YLM	CHK. YLM	BACHELOR ENLISTED QUARTERS	
PRJ. MGR. SMG	CONTR. YLM	SECOND FLOOR PLAN	
APPROVED DATE	ACTIVITY-SATISFACTORY TO	SIZE CODE IDENT. NO.	NAVY DRAWING NO.
APPROVED DATE 11/11/51	APPROVED DATE 11/11/51	F 80091	4157739
FOR CHG. FOR CONSTRUCTION PURPOSES		COPIES: CENTER NO. N62470-85-B-5142	SCALE AS NOTED SPEC. 05-85-5306 SHEET 17 OF 68

10 9 8 7 6 5 4 3 2 1

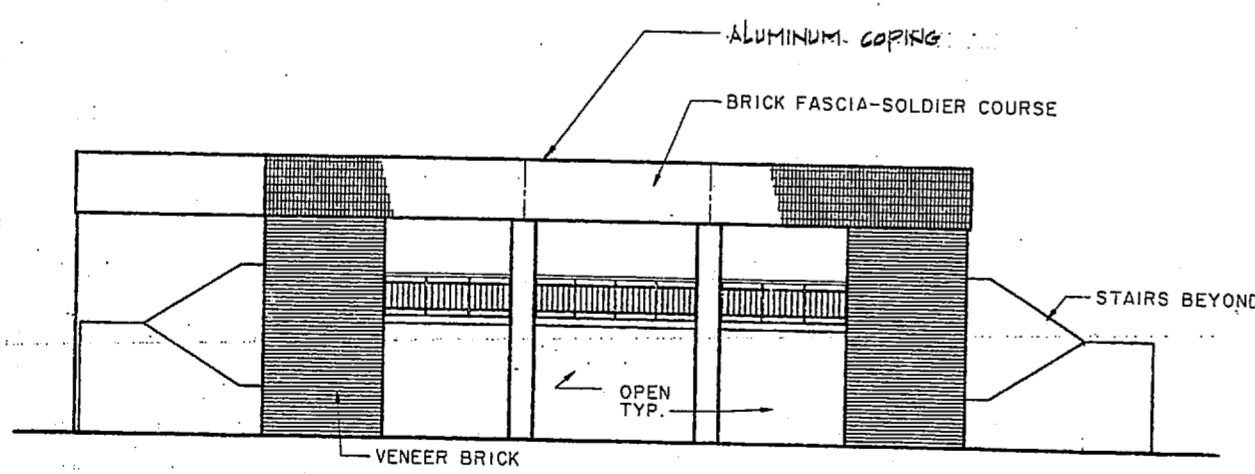




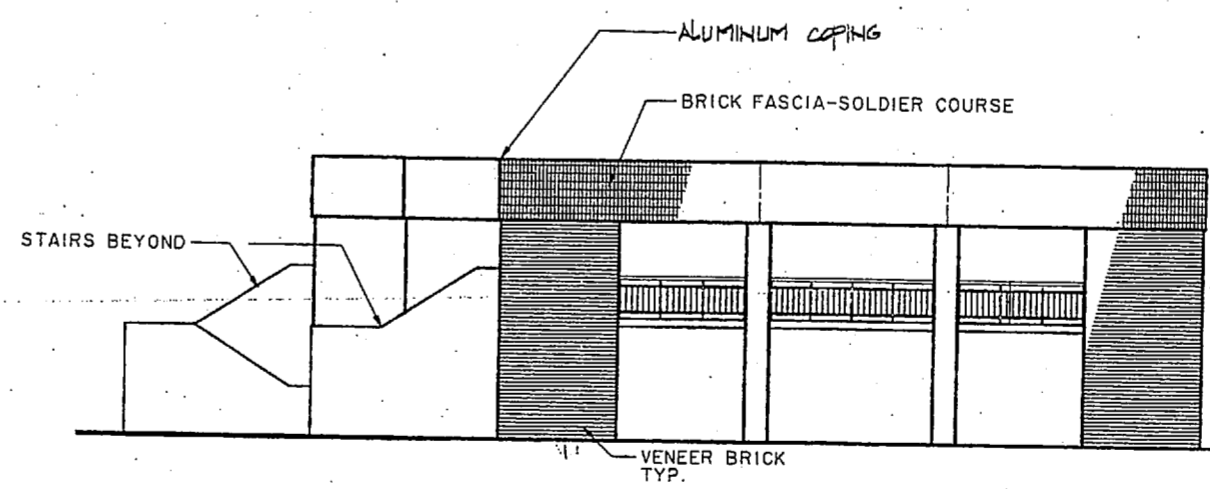
SOUTH ELEVATION
SCALE: 1/8" = 1'-0"



NORTH ELEVATION
SCALE: 1/8" = 1'-0"



EAST ELEVATION
SCALE: 1/8" = 1'-0"



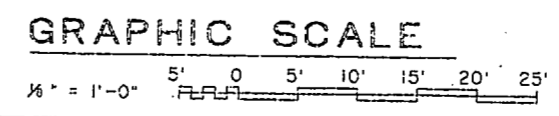
WEST ELEVATION
SCALE: 1/8" = 1'-0"

REVISIONS		
NO.	DESCRIPTION	DATE

EXTERIOR COLOR SCHEDULE		
MATERIAL	COLOR	COMPANY
BRICK	CHESTNUT	CAROLINA CERAMICS
MORTAR	BLACK C-58	FLAMINGO
GLASS	BRONZE	PPG
EXPOSED CONC. STAIR WALLS	CLEAR, RUBBED FINISH	-
COPING	DARK BRONZE ANODIZED	ARCHITECTURAL PRODUCTS
EXTERIOR CEILING FINISH SYSTEM	RED PR-79	MOORE PAINTS
ALUMINUM STOREFRONT	DARK BRONZE ANODIZED	KAWNEER
H. M. FRAMES & DOORS	BROWN ET-75	MOORE PAINTS
ALUMINUM HANDRAILS	DARK BRONZE ANODIZED	ARCHITECTURAL ART MFG., INC.
METAL STAIR HANDRAIL & MISC. METALS	BROWN ET-75	MOORE PAINTS

NOTE: MANUFACTURER SPECIFIED. ARIE FOR QUALITY, TEXTURE, PATTERNS & COLORS.

NOTE: REFER TO PARTIAL ELEVATIONS A/A5/A11 FOR ROOM AND CORE ELEVATIONS



RECORD DRAWING
LETTER DATED JAN 31 1961

A-3

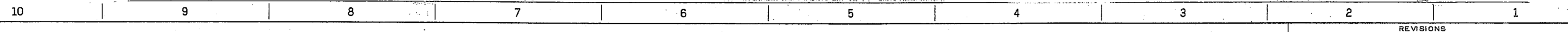
DEPARTMENT OF THE NAVY
NAVAL FACILITIES ENGINEERING COMMAND
NAVAL STATION
ATLANTIC DIVISION
NAVAL HOSPITAL
CAMP LEJEUNE, N.C.
BACHELOR ENLISTED QUARTERS
ELEVATIONS

NO. 257740
JOB ORDER NO. 515306
STA. PREFIX P-721
SIC. YLM
PRJ. WSP. SMG
DRAWING: 1/8" = 1'-0"
SCALE: 1/8" = 1'-0"
DATE: 12/27/60
BY: [Signature]
CHECKED: [Signature]

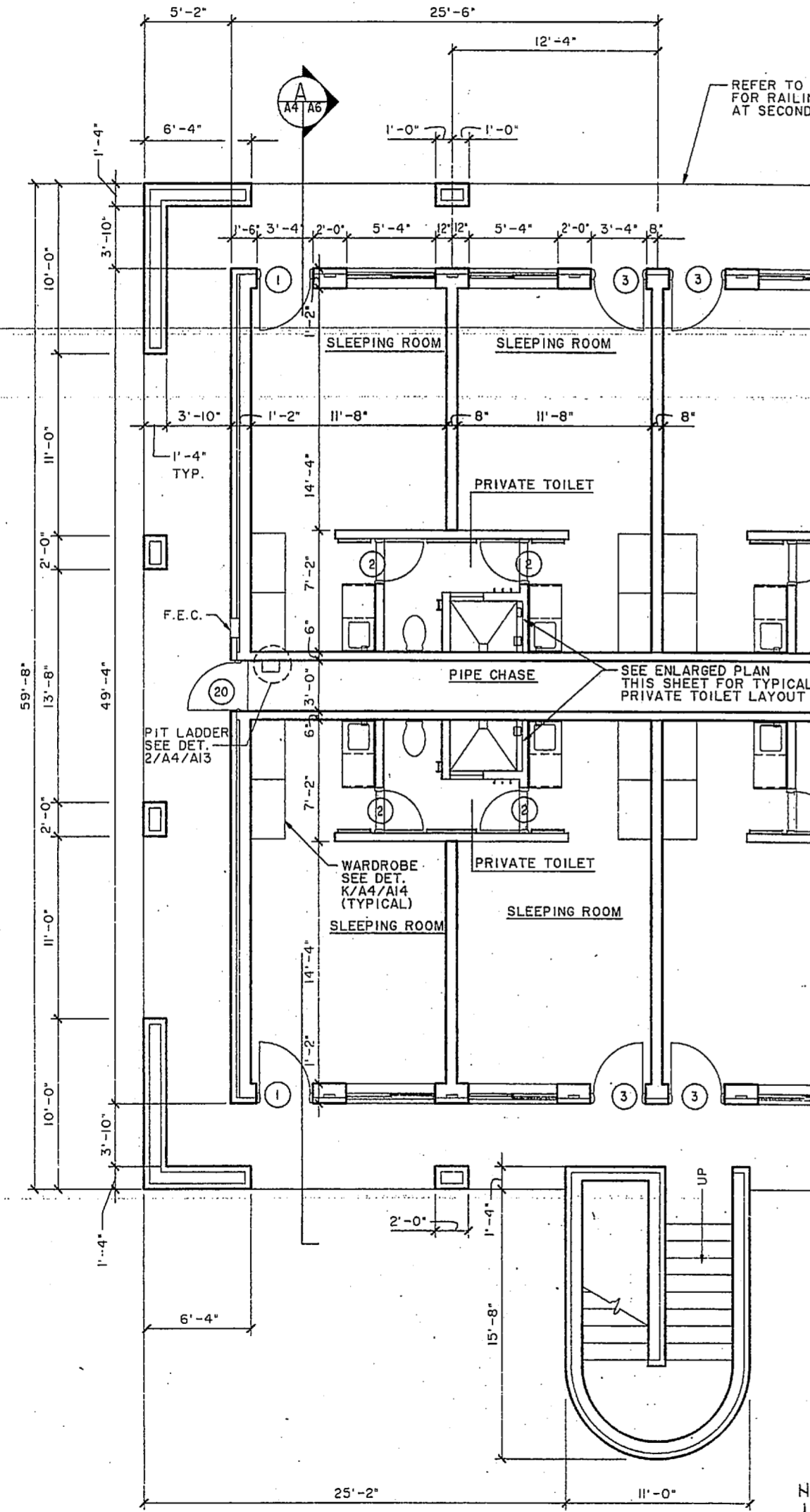
SIZE: 11" x 17"
CODE IDENT. NO.: 4157740
ACTIVITY-SATISFACTORY TO: [Signature]
DATE: 1/31/61
FOR: [Signature]

NAVFAO DRAWING NO. 4157740
CONTRACT NO. N62470-85-B-5142
SCALE AS NOTED 05-85-5306 SHEET 18 OF 68



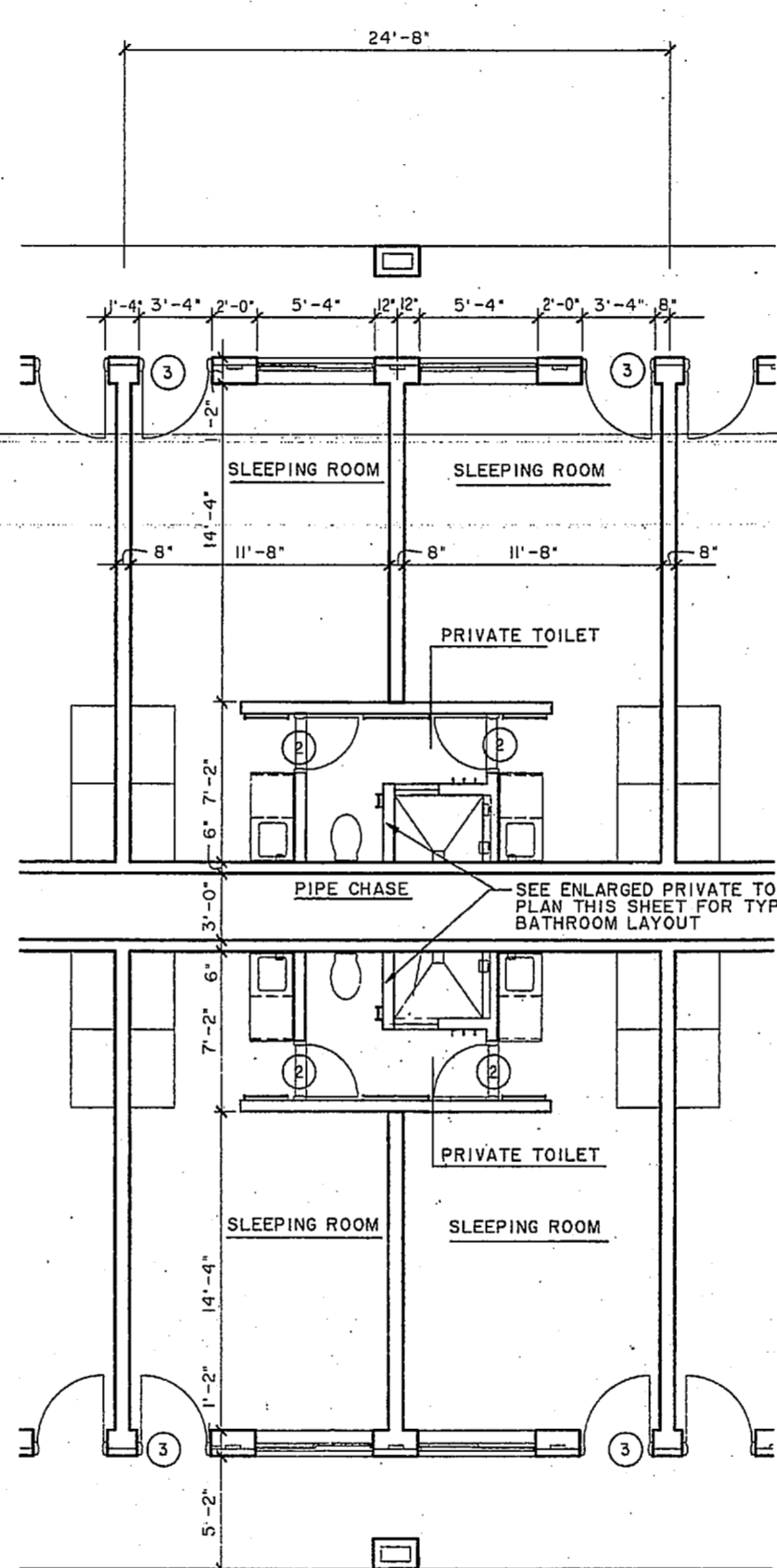


REVISIONS			
SIM	DESCRIPTION	DATE	APPROVED



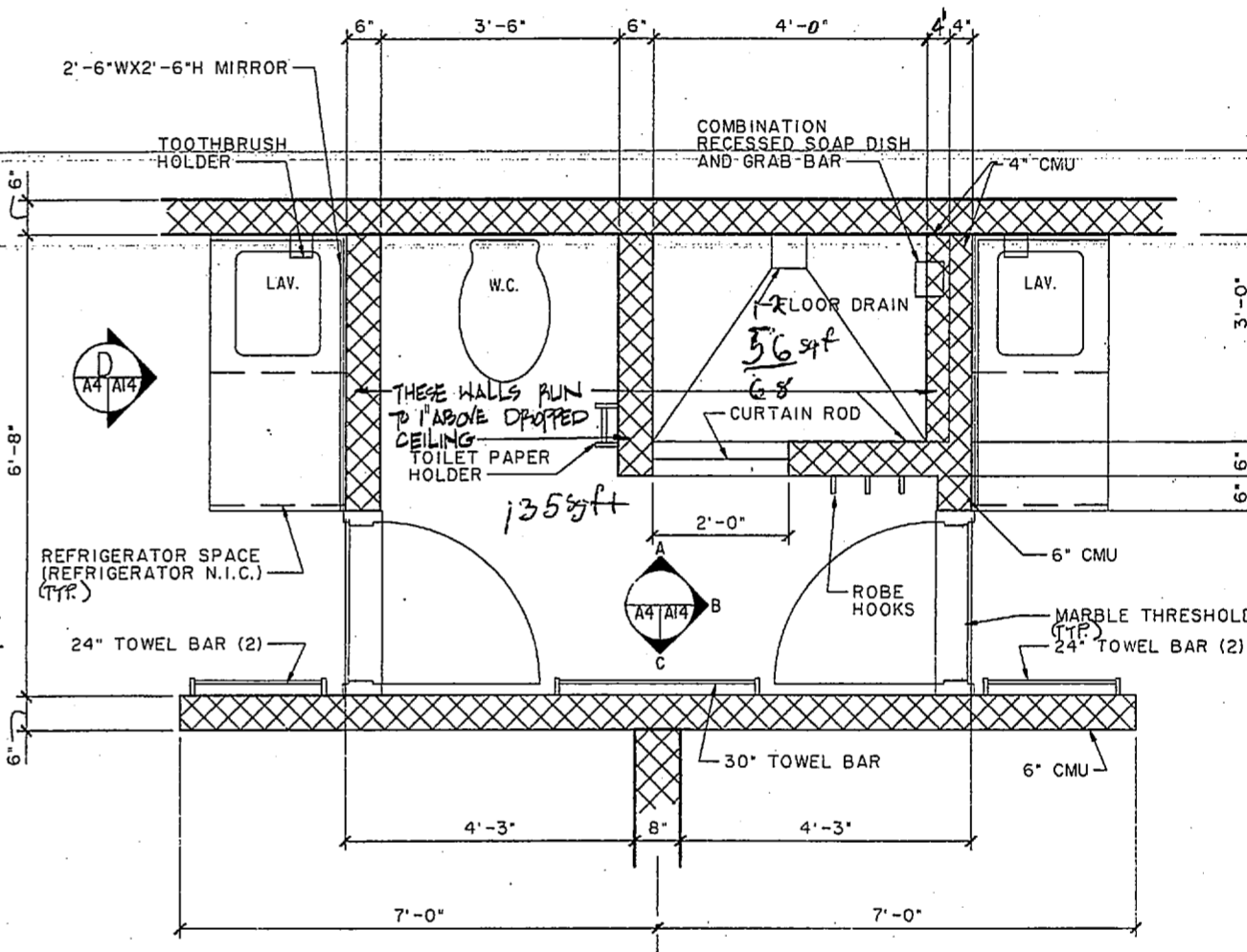
**FLOOR PLAN
END UNIT**

SCALE: 1/4" = 1'-0"

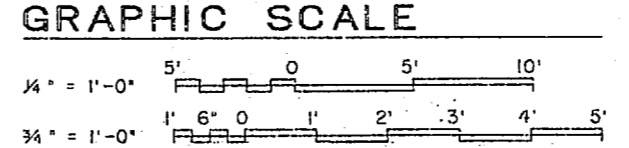
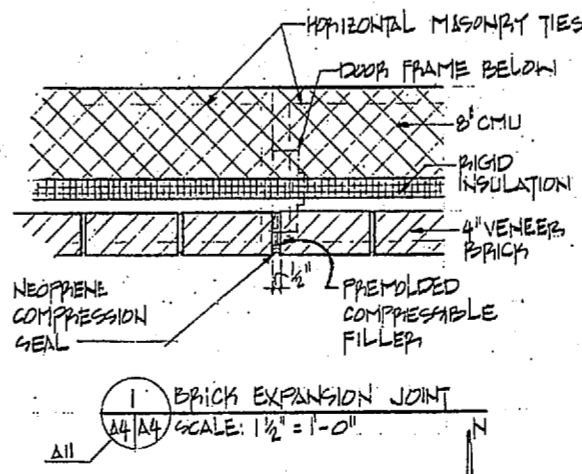


**FLOOR PLAN
TYP. ROOM UNIT**

SCALE: 1/4" = 1'-0"



PRIVATE TOILET PLAN
SCALE: 3/4" = 1'-0"

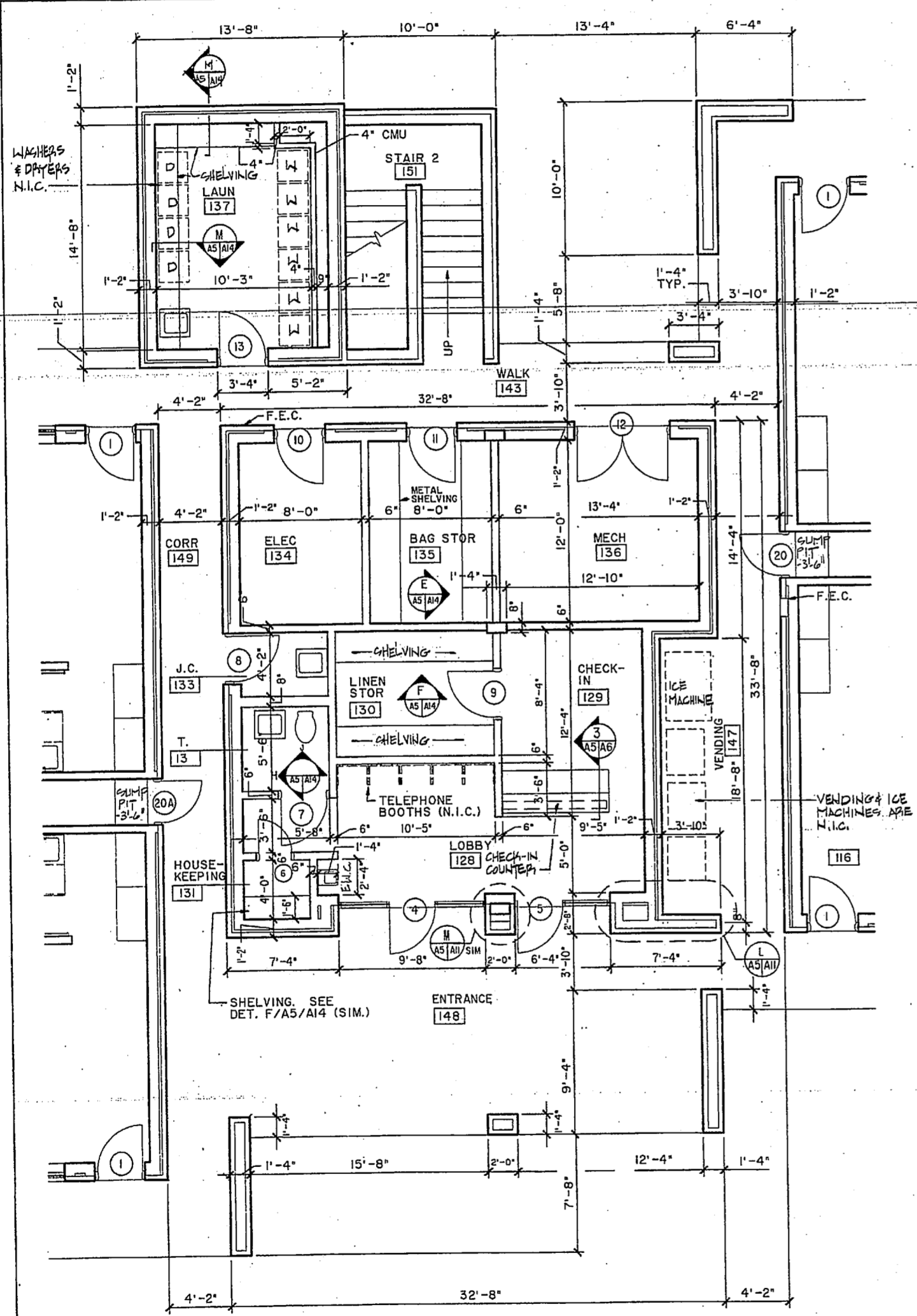


- GENERAL NOTES:
- FOR ROOM NUMBERS REFER TO SHEETS A-1 AND A-2
 - FOR INTERIOR ELEVATIONS SEE SHT. A-14.
 - INTERIOR PARTITIONS ARE 8" OR 6" CMU AS DIMENSIONED
 - EXTERIOR WALLS ARE 8" CMU WITH RIGID INSULATION (R=5 MIN.) IN A 2" AIR SPACE AND 4" VENEER BRICK.
 - PIERS ARE 8" POURED-IN-PLACE CONCRETE WITH 4" VENEER BRICK. SEE STRUCT DRAWINGS.
 - BALCONY WALLS ARE 8" CMU WITH 4" BRICK VENEER. SEE STRUCT. DRAWINGS.
 - PROVIDE CMU EXPANSION JOINT AT 24'-8" O.C. MAX.
 - PROVIDE BRICK EXPANSION JOINT ON ROOM EXTERIOR WALLS AT EVERY OTHER ROOM ENTRANCE DOOR.
- SEE [Symbol] FOR DETAIL & [Symbol] FOR LOCATION

GENERAL DRAWING LETTER DATED [Date]		A-4
DRAWING NO. 257741 FOR ORDER NO. SF5306		DEPARTMENT OF THE NAVY NAVY FACILITIES ENGINEERING COMMAND NAVAL BASE ATLANTIC DIVISION NAVAL HOSPITAL CAMP LEJEUNE, N.C.
DESIGNED BY YLM CHECKED BY YLM APP'D. NIG SMG DATE		BACHELOR ENLISTED QUARTERS
ACTIVITY: BATHFACTORY TO [Symbol] DATE: 3/22/77		LARGE ROOM PLANS
DRAWING NO. 4157741		NAVFAC DRAWING NO.
4157741		4157741
NAVFAC CODE NO. NS2470-25-B-5142		

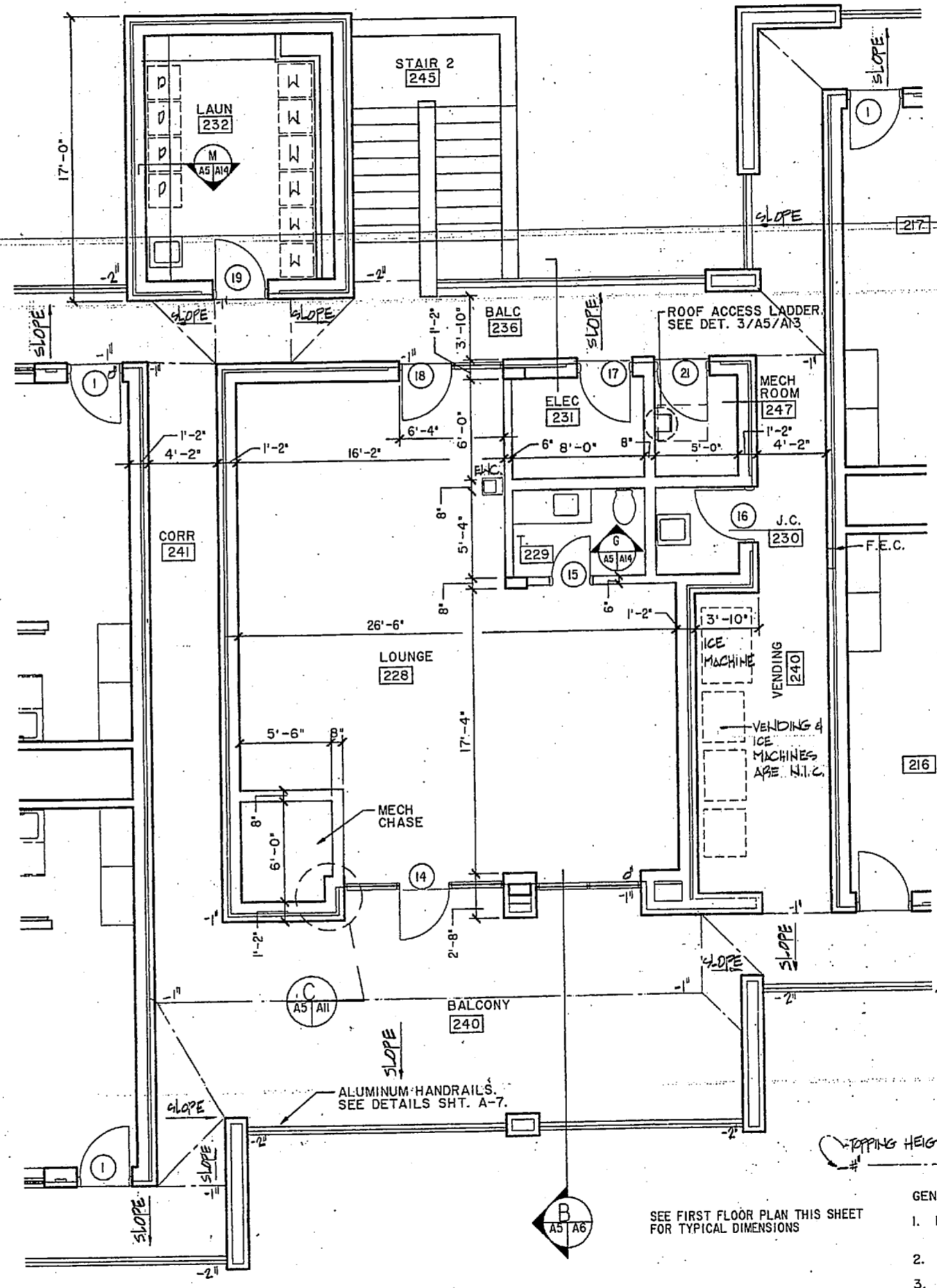


REVISIONS			
NO.	DESCRIPTION	DATE	APPROVED



FIRST FLOOR

NOTE:
6" WALLS AT HOUSEKEEPING AREA RUN TO 8'-0" HIGH ONLY.

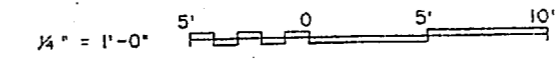


SECOND FLOOR

CORE AREA PLANS

SCALE: 1/4" = 1'-0"

GRAPHIC SCALE

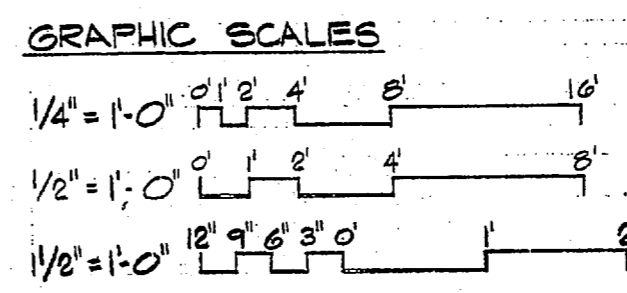
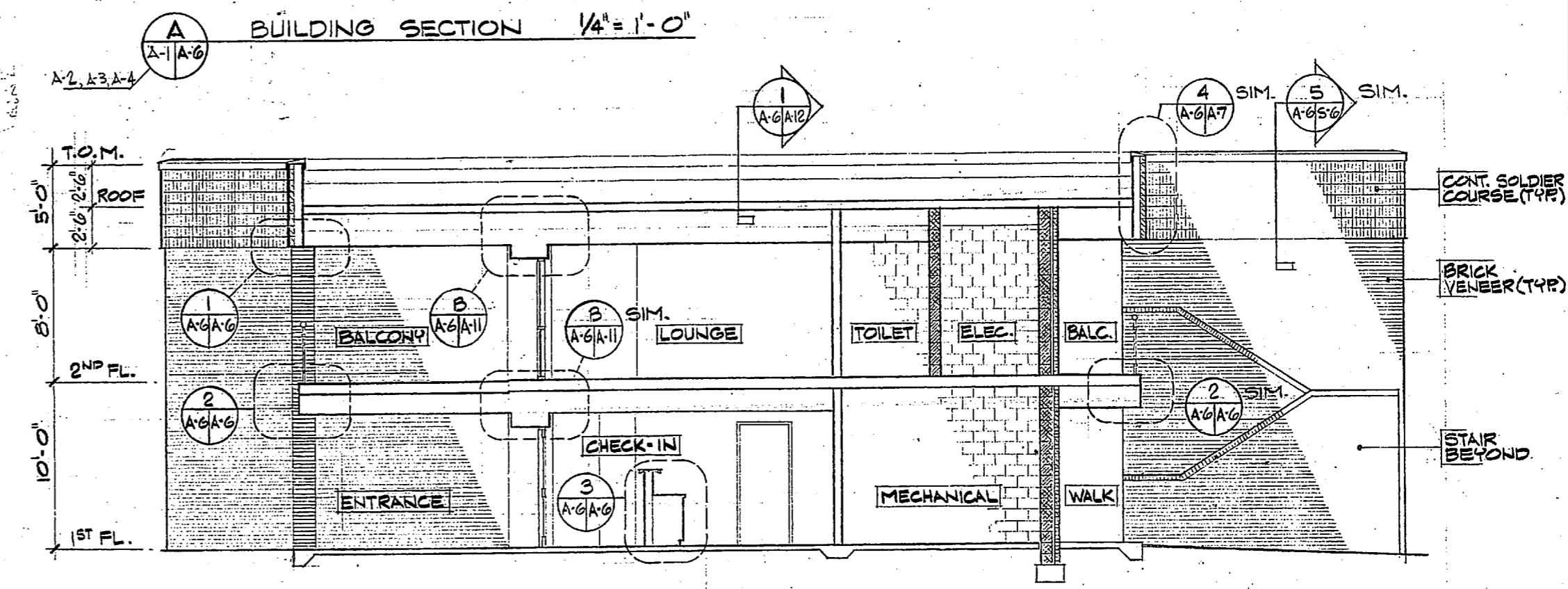
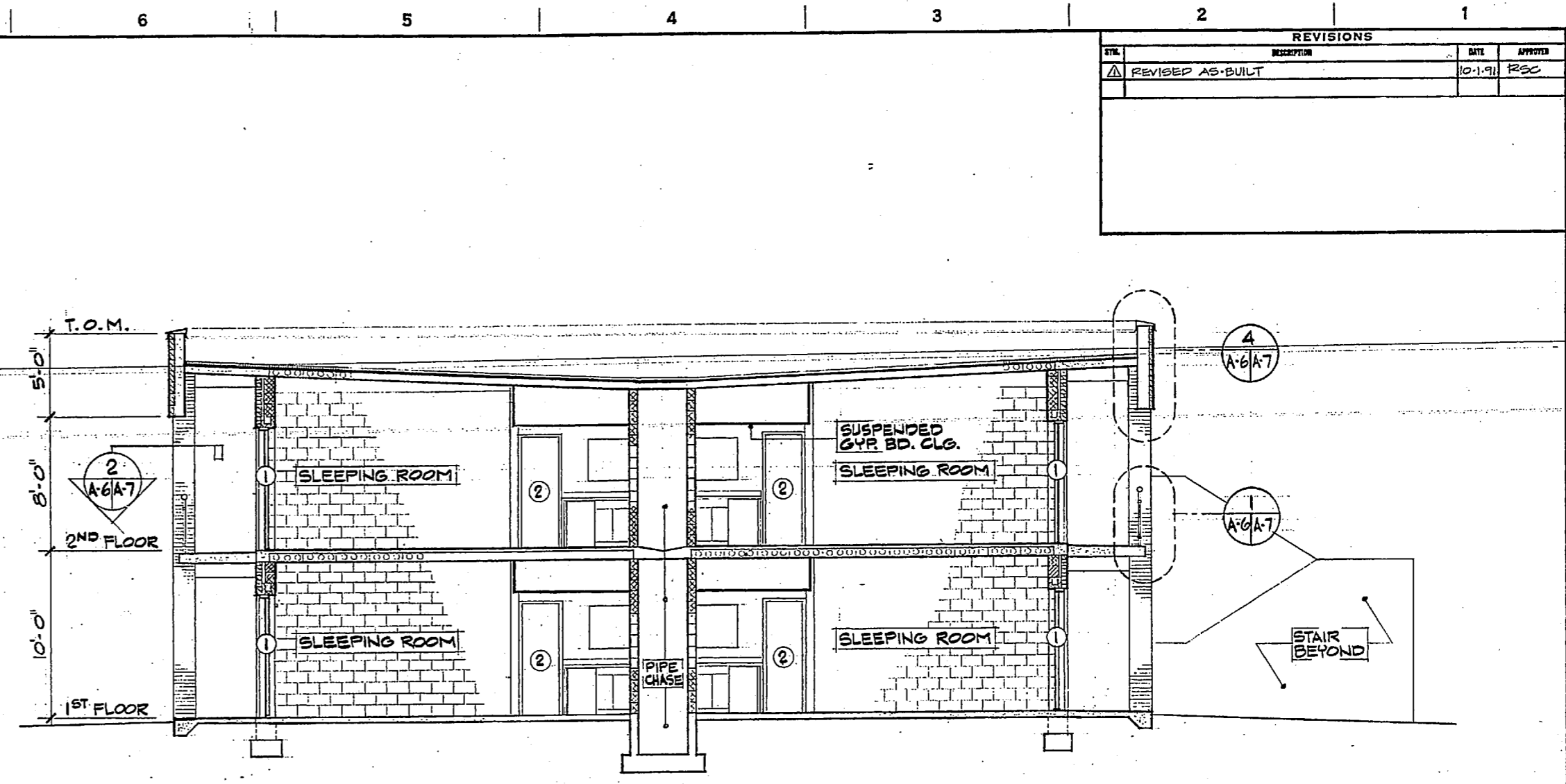
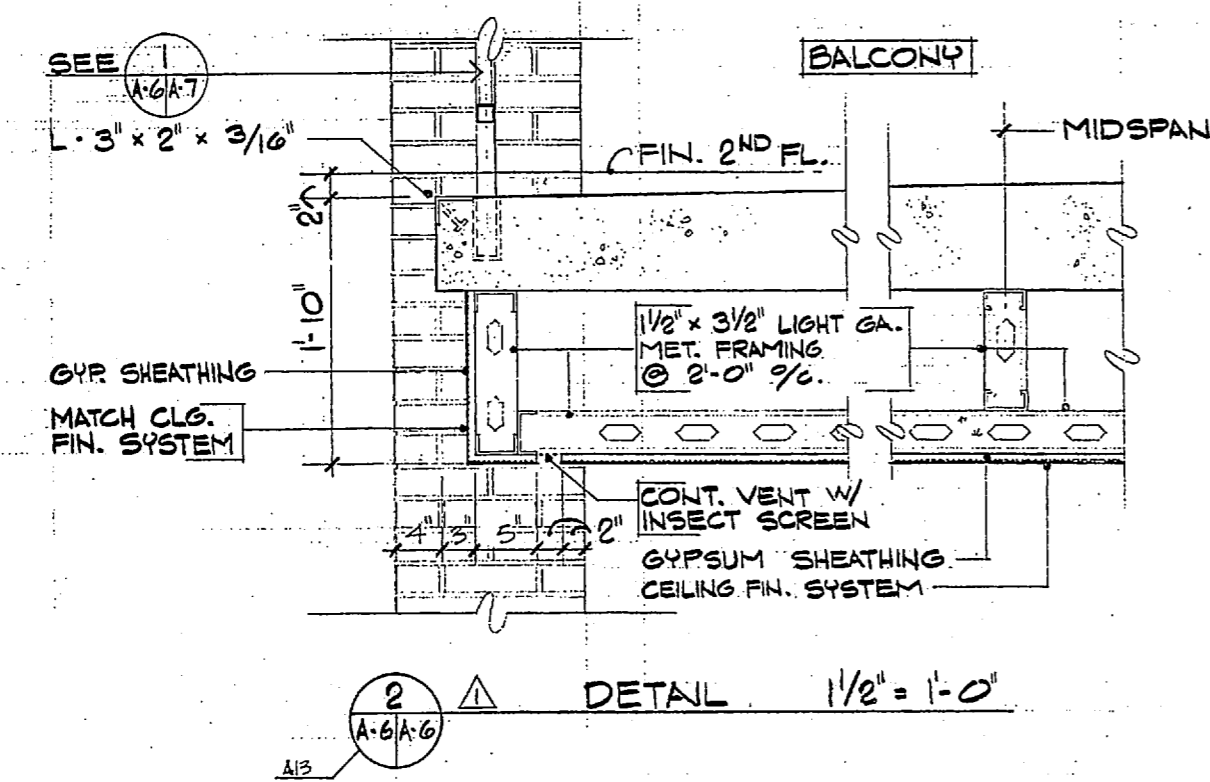
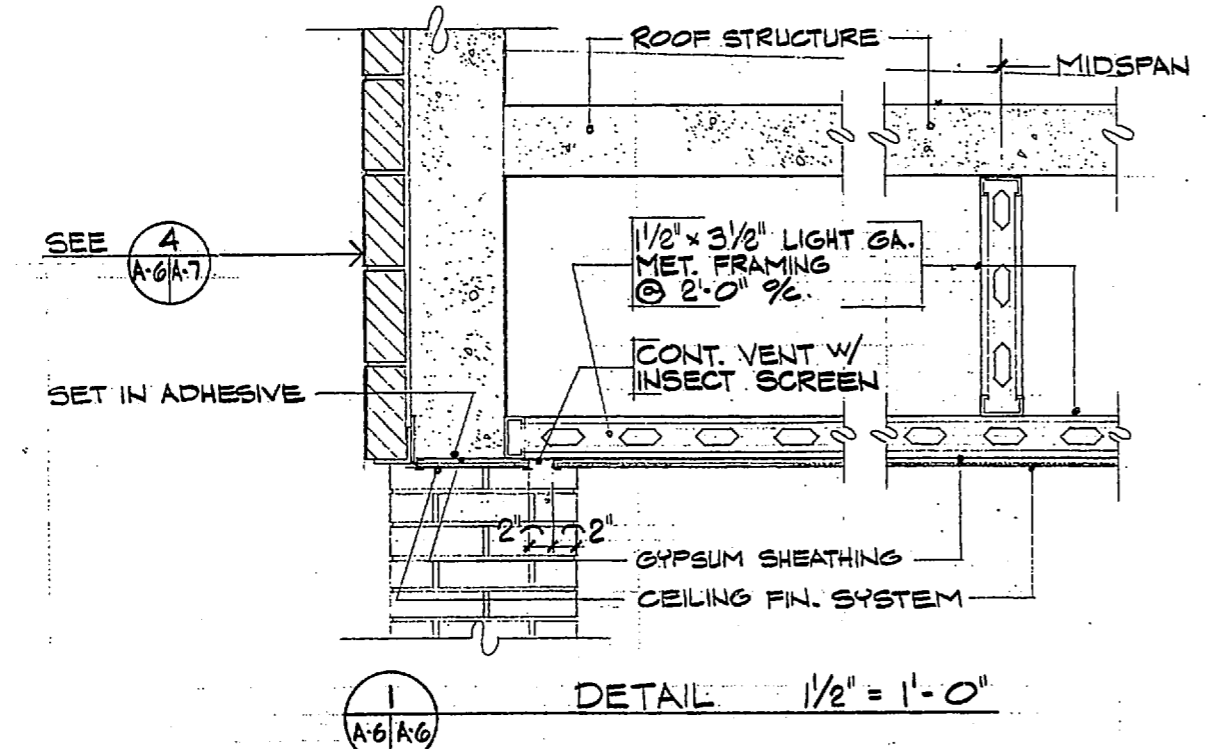
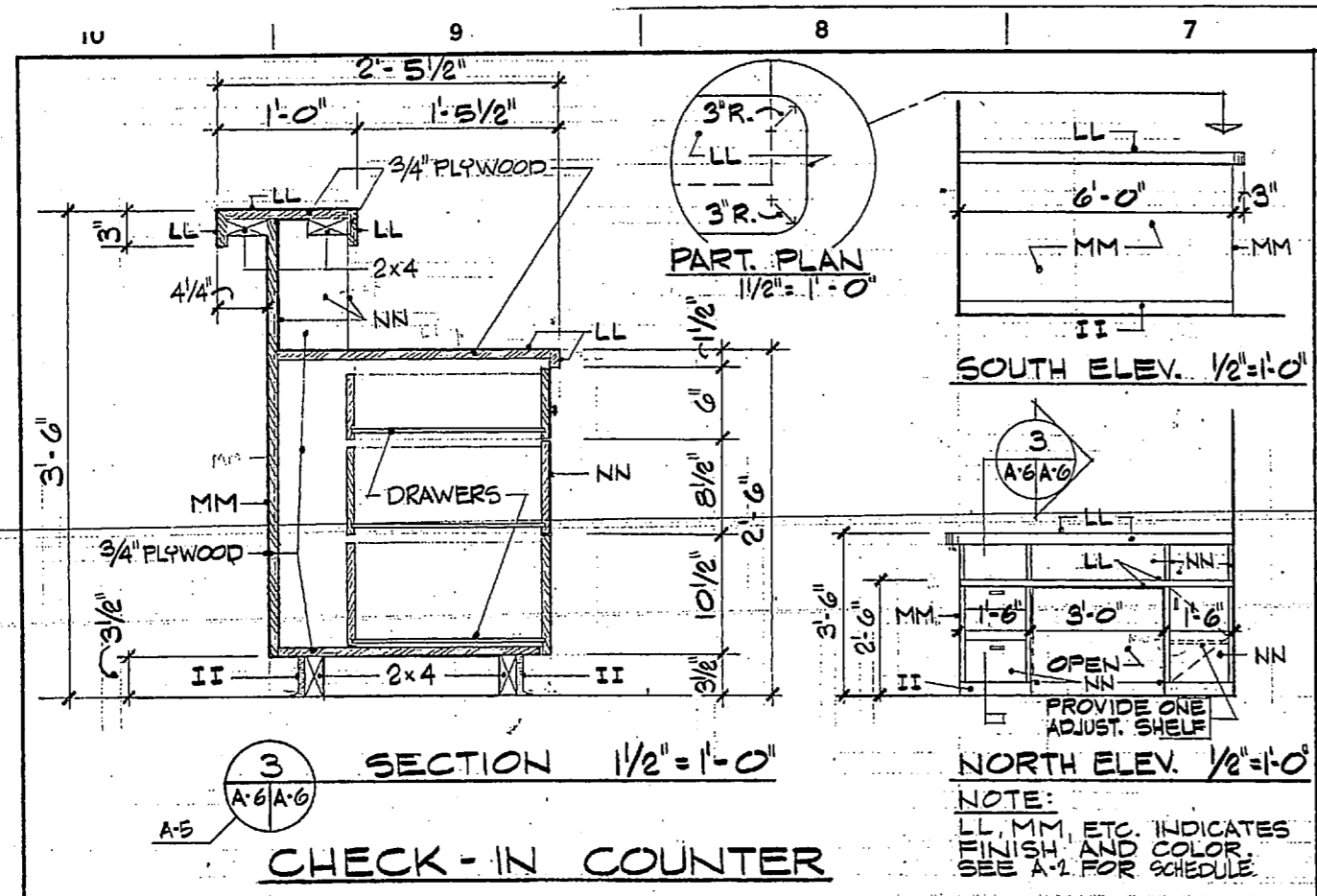


TOPPING HEIGHT TO FINISH FLOOR
BREAK IN CONC. TOPPING FOR DRAINAGE

GENERAL NOTES:

1. FOR ROOM NUMBERS REFER TO SHEETS A-1 AND A-2
2. FOR INTERIOR ELEVATIONS SEE SHT. A-14.
3. INTERIOR PARTITIONS ARE 8" OR 6" CMU AS DIMENSIONED
4. EXTERIOR WALLS ARE 8" CMU WITH RIGID INSULATION (R=5 MIN.) IN A 2" AIR SPACE AND 4" VENEER BRICK.
5. PIERS ARE 8" POURED-IN-PLACE CONCRETE WITH 4" VENEER BRICK.
6. BALCONY WALLS ARE 8" CMU WITH 4" VENEER BRICK.

RECORD DRAWING LETTER SIZED		A-5	
PROJECT NO. 257742		NAVAL FACILITIES ENGINEERING COMMAND	
JOB ORDER NO. 5F5306		NAVAL HOSPITAL CAMP LEJEUNE, N.C.	
SPL. NUMBER P-721		NAVAL STATION	
SIC. YLM		BACHELOR ENLISTED QUARTERS	
PROJ. NO. SMC		LARGE CORE PLANS	
DATE		NAVAAC DRAWING NO. 4157742	
APPROVED		DRAWING NO. 162470-85-B-5142	
DESIGNED BY		SCALE AS NOTED	
CHECKED BY		SHEET 20 OF 68	

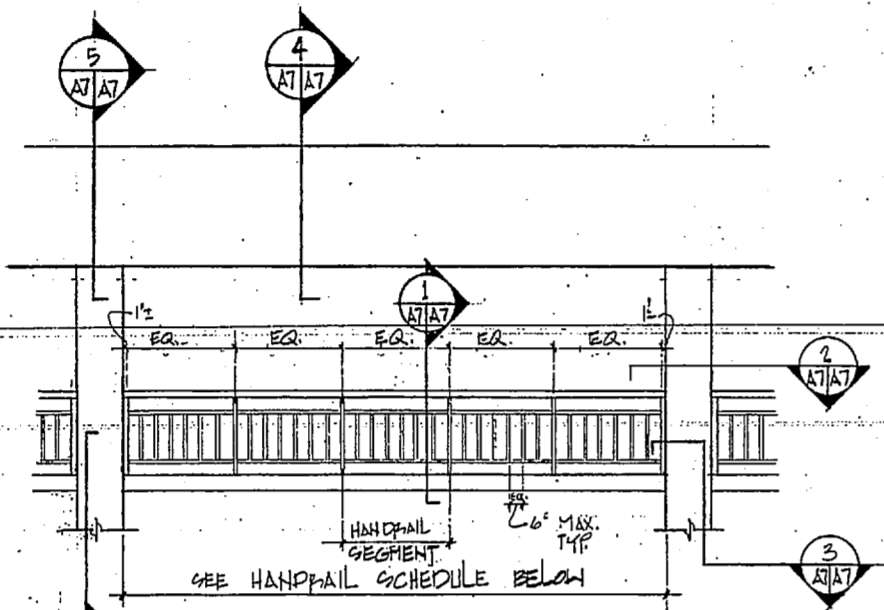


REVISIONS			
NO.	DESCRIPTION	DATE	APPROVED
1	REVISED AS-BUILT	10-1-91	RSC

RECORD DRAWING LETTER DATED		A-6	
DEPARTMENT OF THE NAVY NAVAL FACILITIES ENGINEERING COMMAND			
NAVAL STATION		ATLANTIC DIVISION	
NAVAL HOSPITAL		CAMP LEJEUNE, N.C.	
BACHELOR ENLISTED QUARTERS			
BUILDING SECTIONS, DETAILS			
DESIGNED BY	DATE	SIZE	CODE DWT. NO.
4157142			4157142



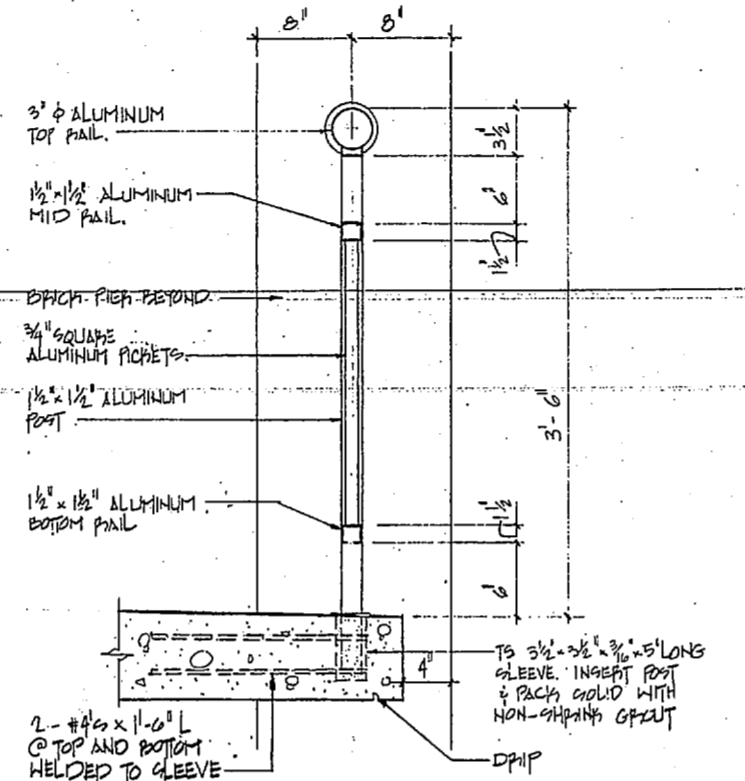
REVISIONS		
NO.	DESCRIPTION	DATE



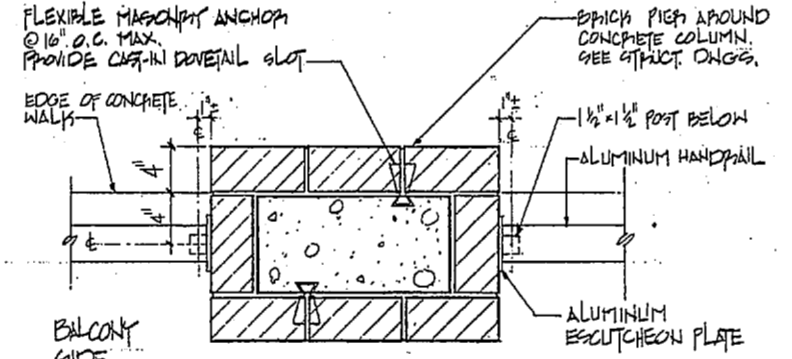
TYP. HANDRAIL ELEVATION
SCALE: 1/2" = 1'-0"

HANDRAIL SCHEDULE		
TYPE	WIDTH O.C.	NO. OF SECTIONS
A	22'-0"	7
B	10'-10"	3
C	8'-10"	3
D	11'-0"	3
E	16'-0"	3
F	13'-0"	3
G	15'-0"	3
H	8'-0"	2
I	12'-0"	4

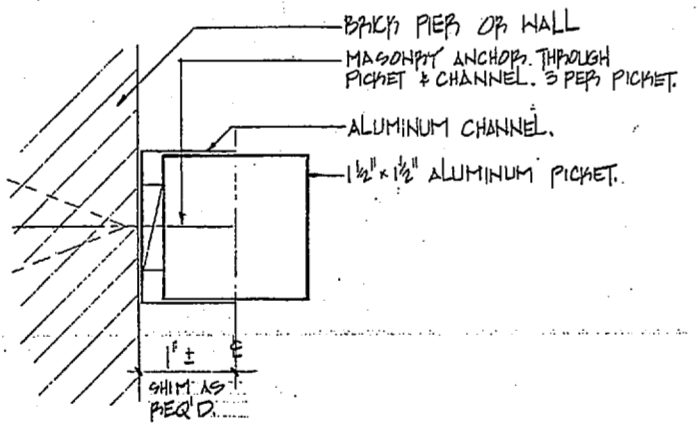
* SEE ELEVATION ABOVE
NOTE: VERIFY OPENINGS IN FIELD



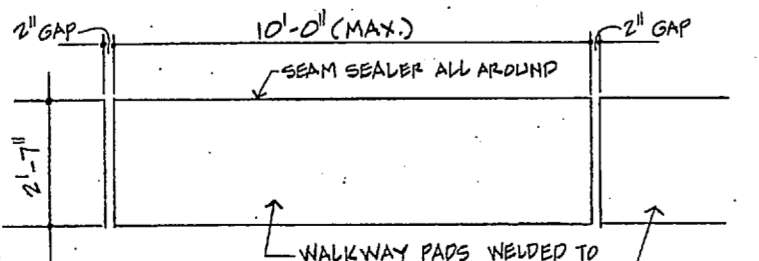
HANDRAIL SECTION
SCALE: 1/2" = 1'-0"



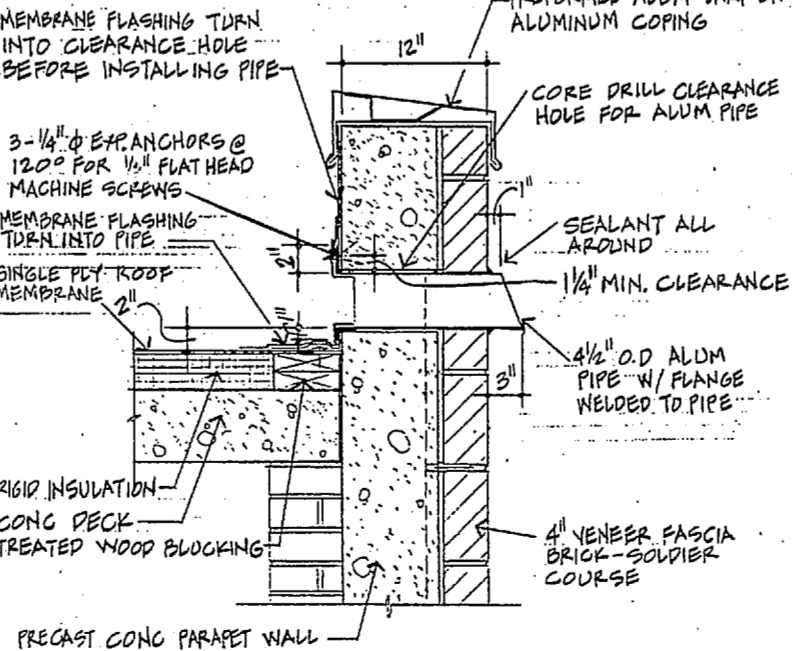
HANDRAIL DETAIL
SCALE: 1/2" = 1'-0"



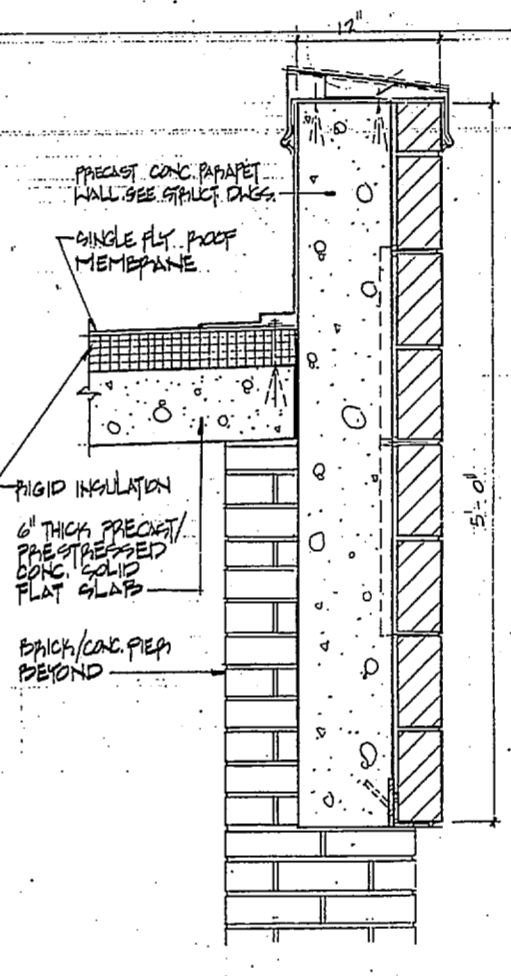
PICKET DETAIL
FULL SCALE



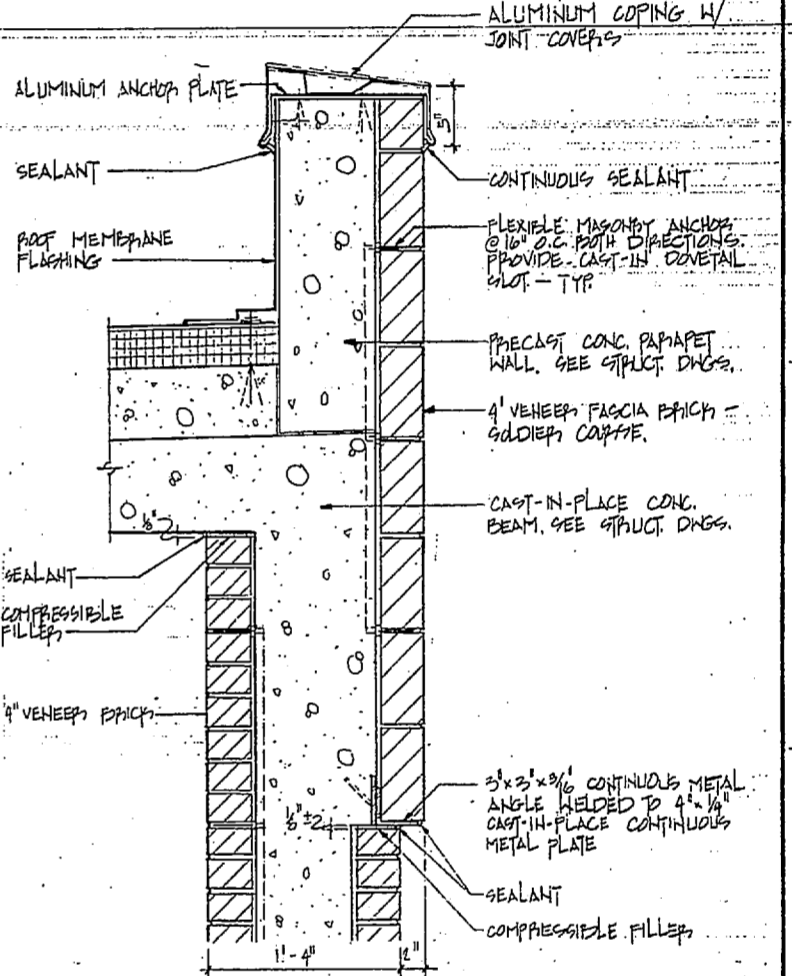
TYP. WALKWAY PADS - PLAN
SCALE: 1/2" = 1'-0"



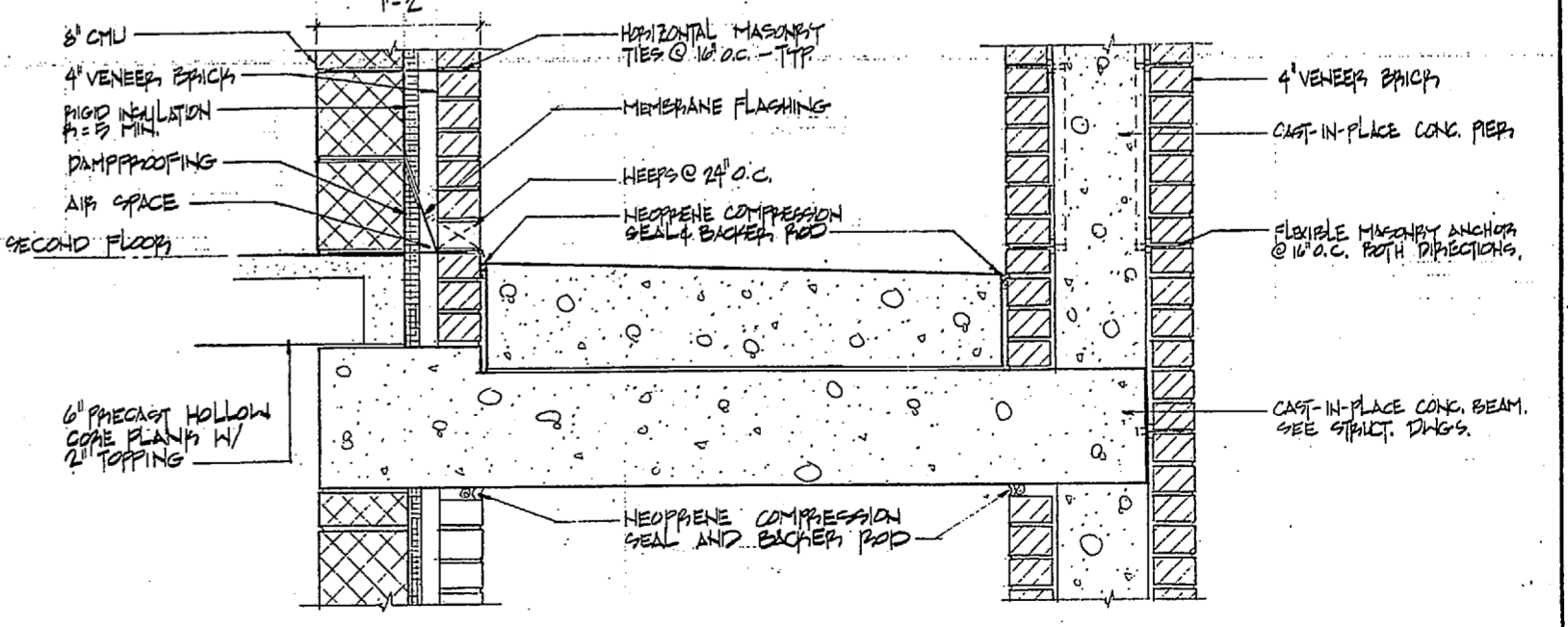
TYP. SCUPPER THROUGH WALL
SCALE: 1/2" = 1'-0"



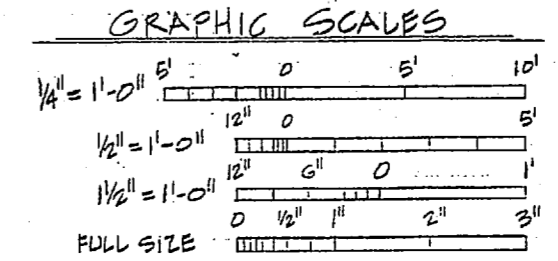
PARAPET DETAIL
SCALE: 1/2" = 1'-0"



PARAPET DETAIL
SCALE: 1/2" = 1'-0"



DETAIL @ PIER
SCALE: 1/2" = 1'-0"

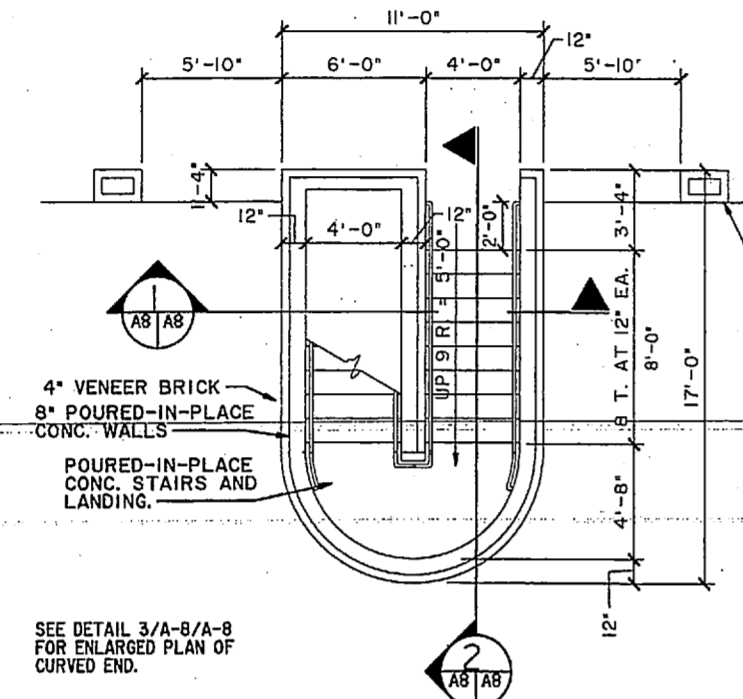


RECORD DRAWING LETTER DATED		A-7	
DEPARTMENT OF THE NAVY		NAVAL FACILITIES ENGINEERING COMMAND	
NAVAL STATION		ATLANTIC DIVISION	
NAVAL HOSPITAL		CAMP LEJEUNE, N.C.	
BACHELOR ENLISTED QUARTERS			
HANDRAIL DETAILS, WALL SECTIONS			
APPROVED	DATE	SIZE	CODE EXT. NO.
ACTIVITY - SATISFACTORY TO		F	80091
DATE		CONTR. CONTR. NO.	4157744

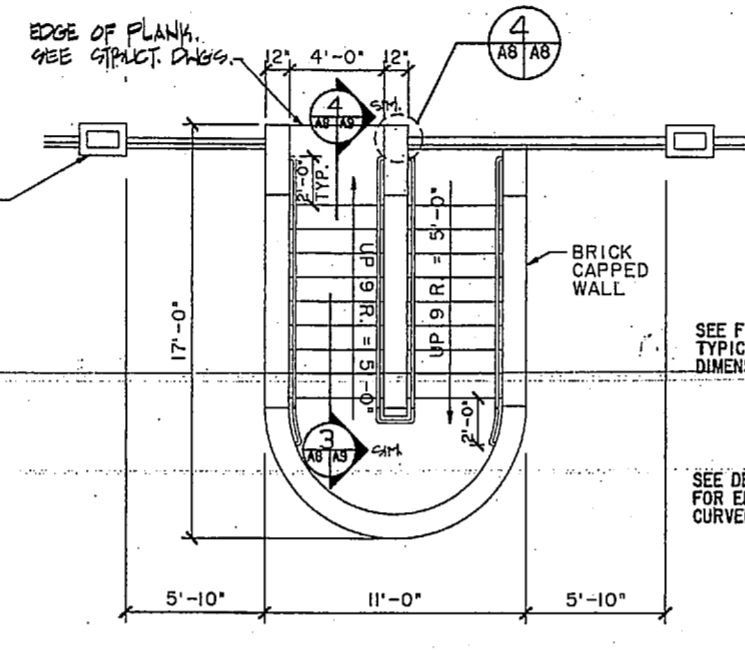


STAIR NO. 1

(STAIR NO. 3 OPPOSITE HAND)

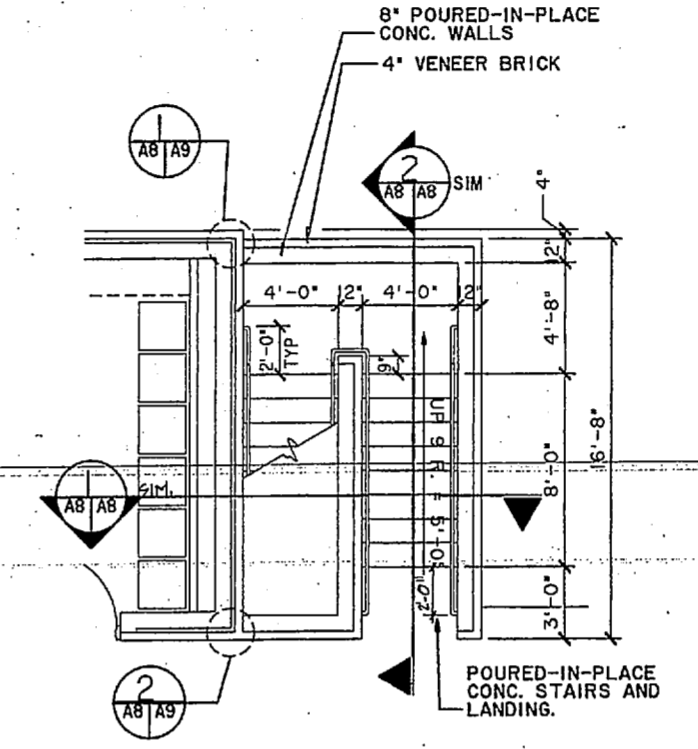


FIRST FLOOR
SCALE: 1/4"=1'-0"

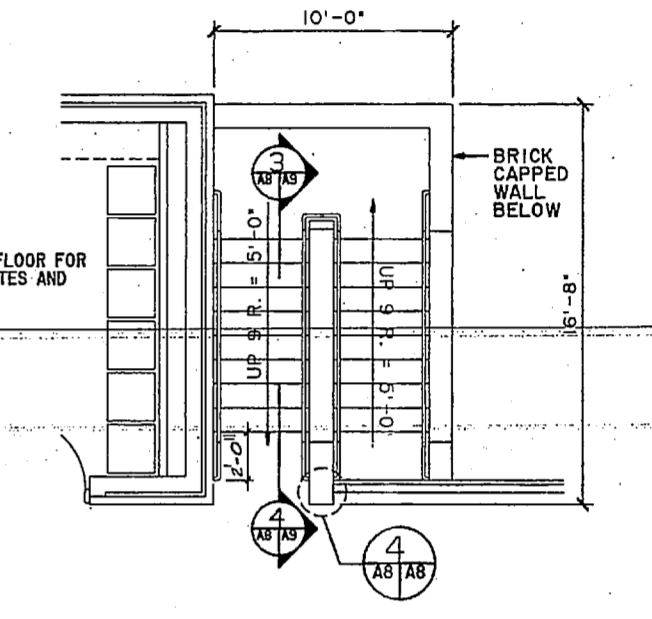


SECOND FLOOR
SCALE: 1/4"=1'-0"

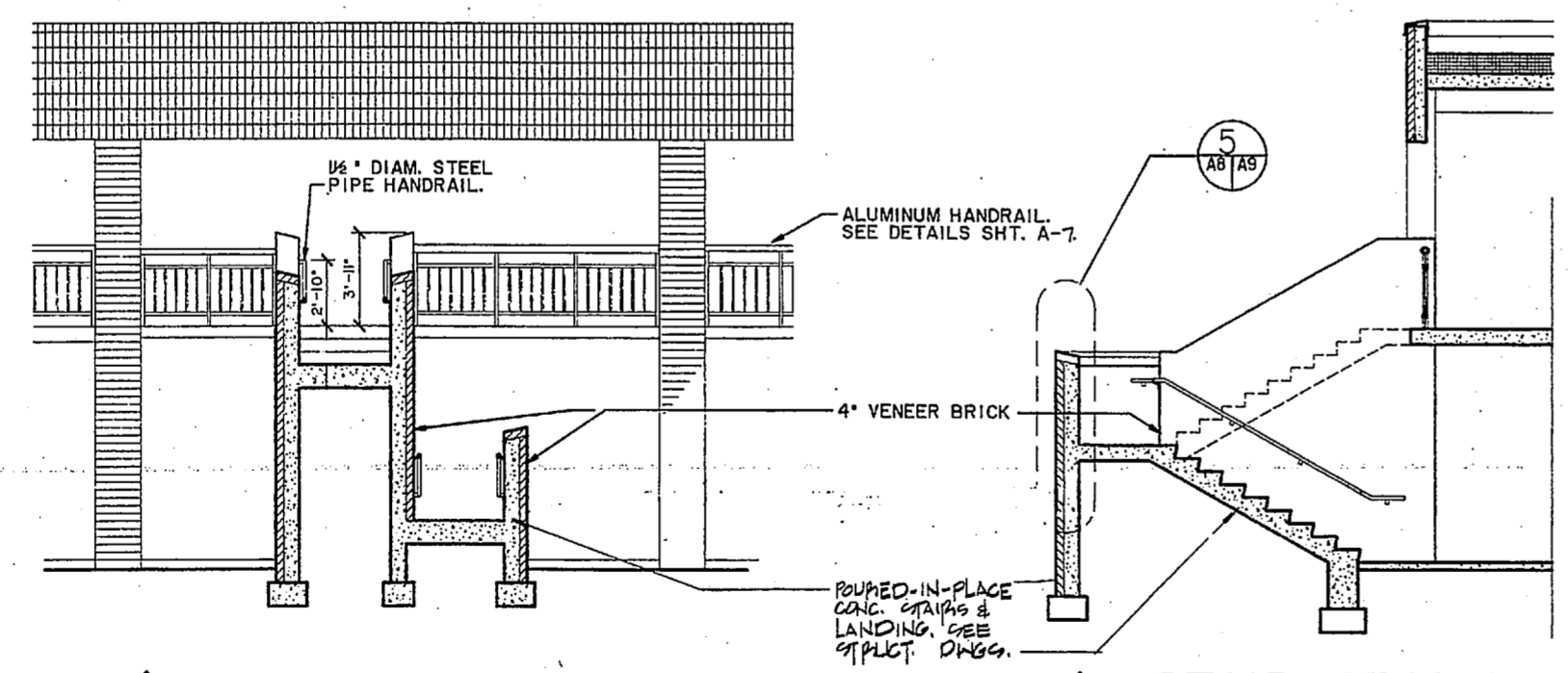
STAIR NO. 2



FIRST FLOOR
SCALE: 1/4"=1'-0"

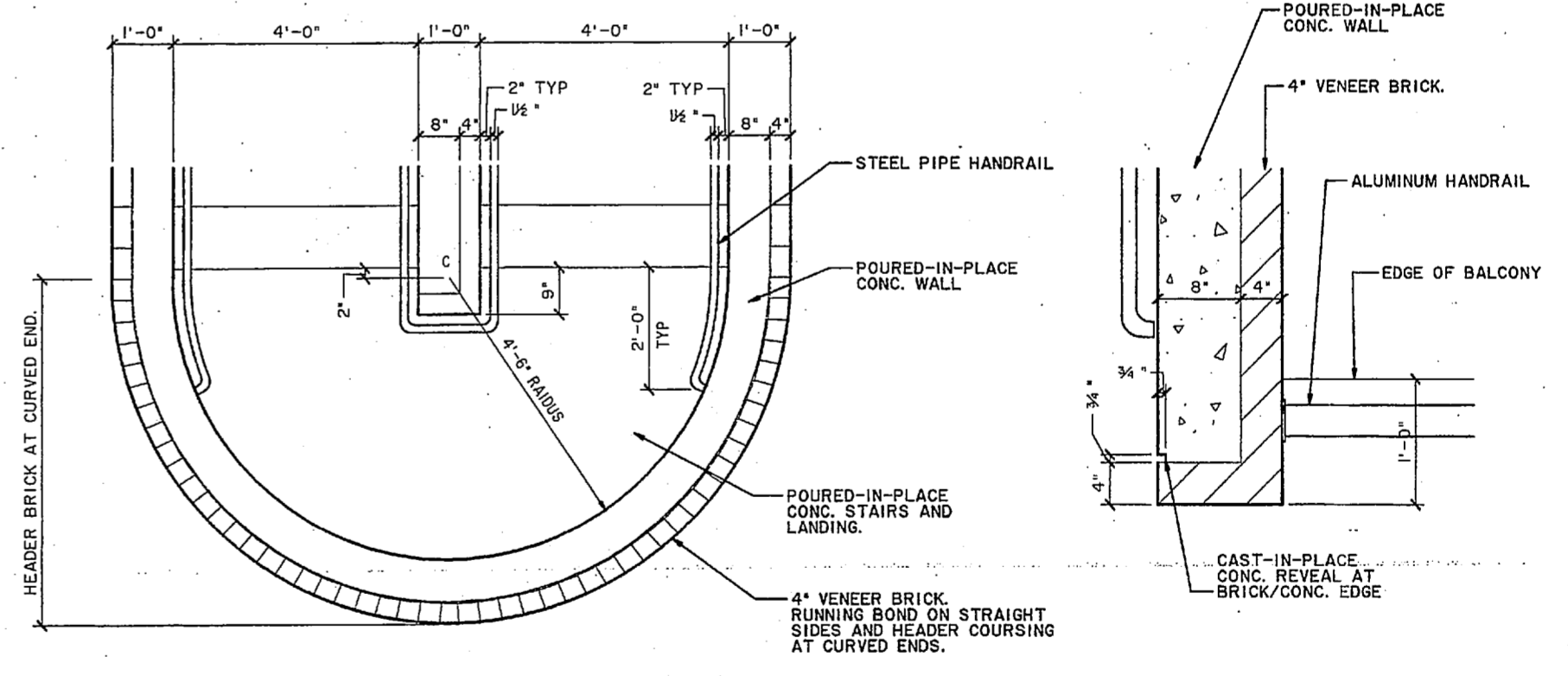


SECOND FLOOR
SCALE: 1/4"=1'-0"



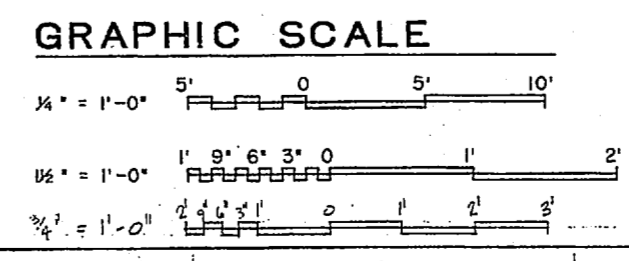
STAIR SECTION
SCALE: 1/4"=1'-0"

STAIR SECTION
SCALE: 1/4"=1'-0"



STAIR PLAN DETAIL
SCALE: 3/4"=1'-0"

STAIR PLAN DETAIL
SCALE: 1 1/2"=1'-0"

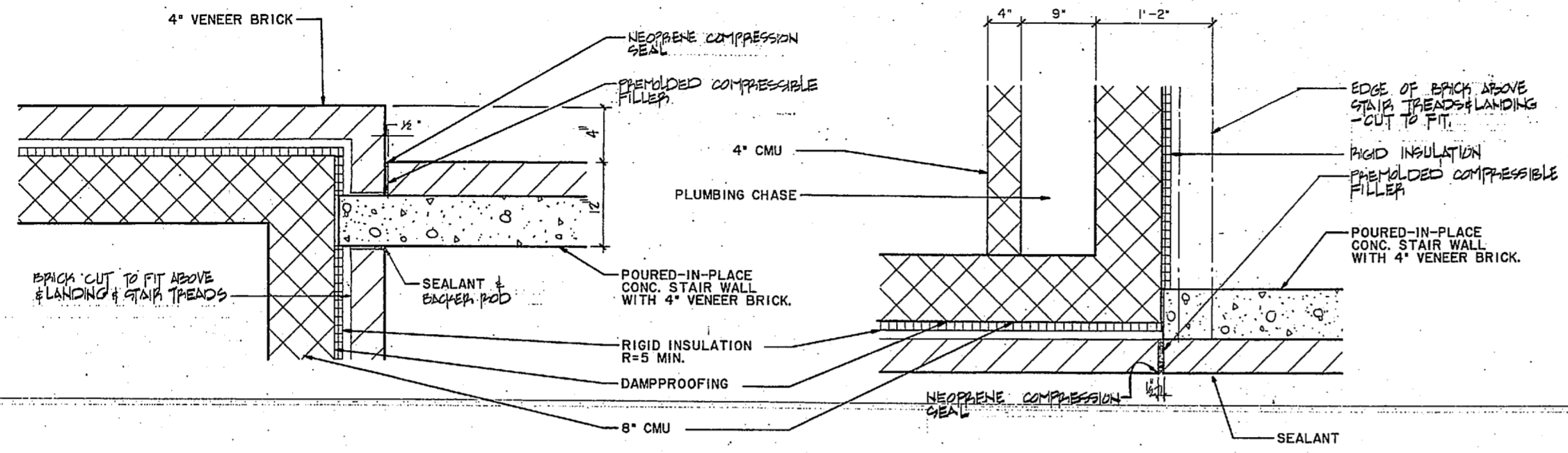


RECORD DRAWING LETTER DATED		A-8	
NAVAL FACILITIES ENGINEERING COMMAND		ATLANTIC DIVISION	
NAVAL STATION		CAMP LEJEUNE, N.C.	
NAVAL HOSPITAL		BACHELOR ENLISTED QUARTERS	
STAIR PLANS/SECTIONS/DETAILS			
APPROVED	DATE	SIZE	CODE IDENT. NO.
ACTIVITY-SATISFACTORY TO	DATE	80091	NAVFAC DRAWING NO. 4157745
DESIGNED	DATE	CONSTR. CONTROL NO.	N62470-85-B-5142
FOR THE COMMANDANT	DATE	SCALE	AS NOTED
			05-85-5306 SHEET 25 of 60



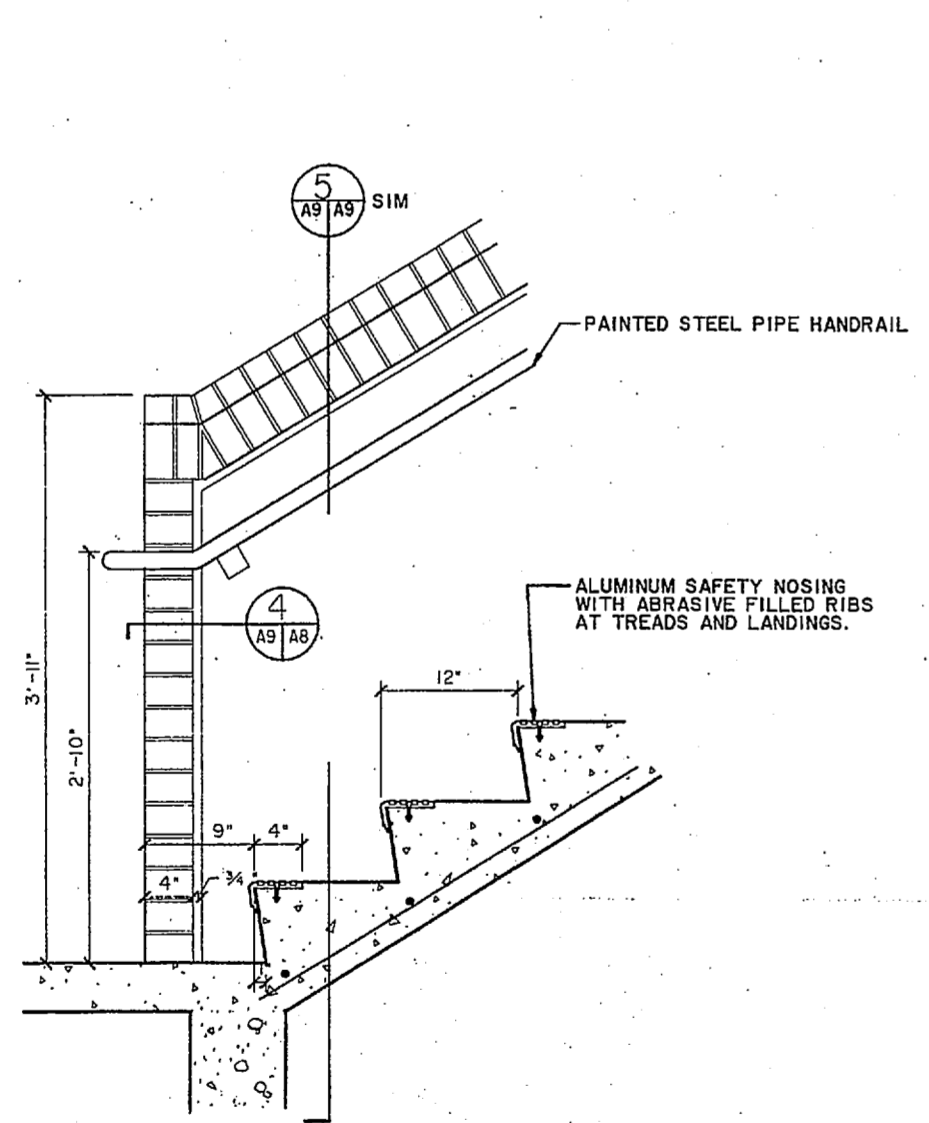
10 9 8 7 6 5 4 3 2 1

REVISIONS		
NO.	DESCRIPTION	DATE

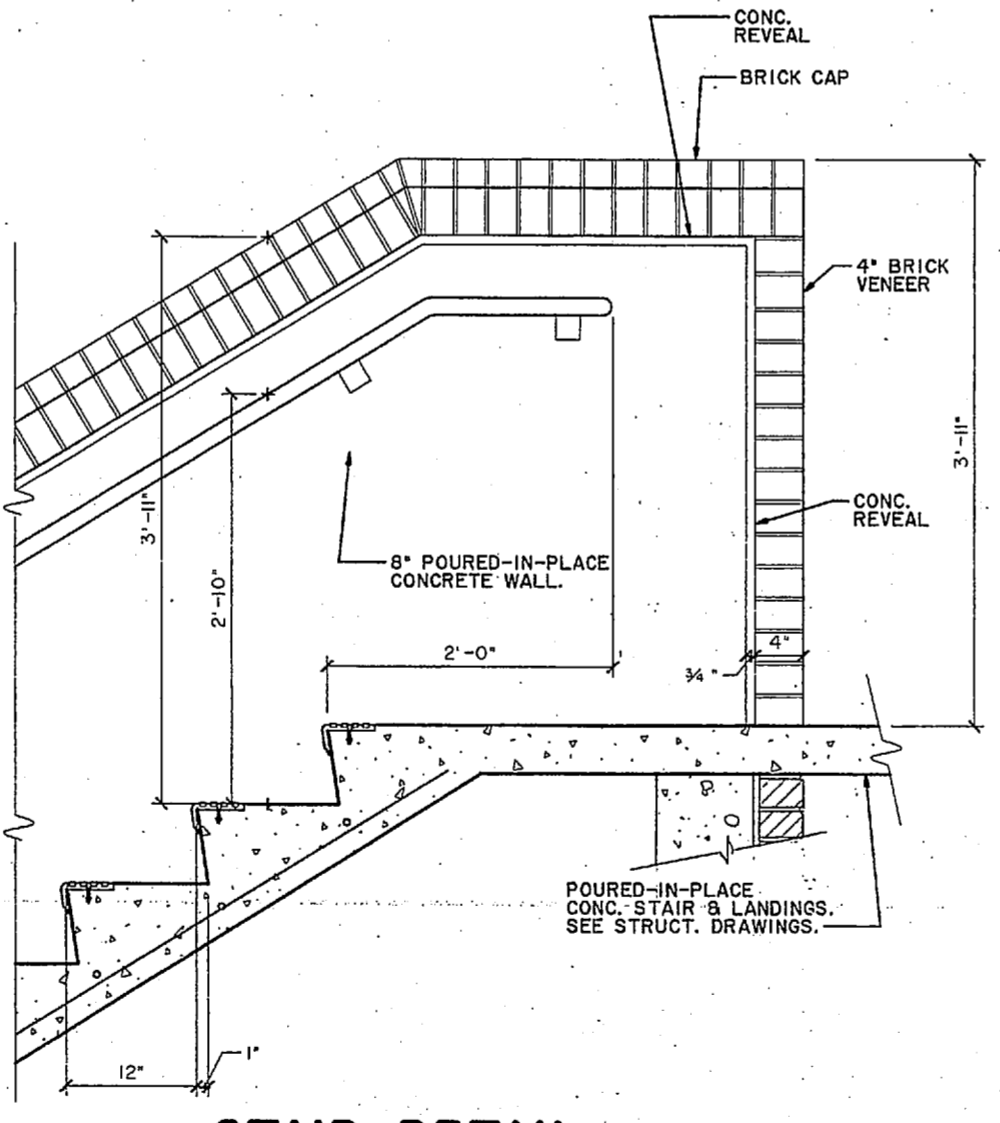


1 STAIR PLAN DETAIL
SCALE: 1 1/2"=1'-0"

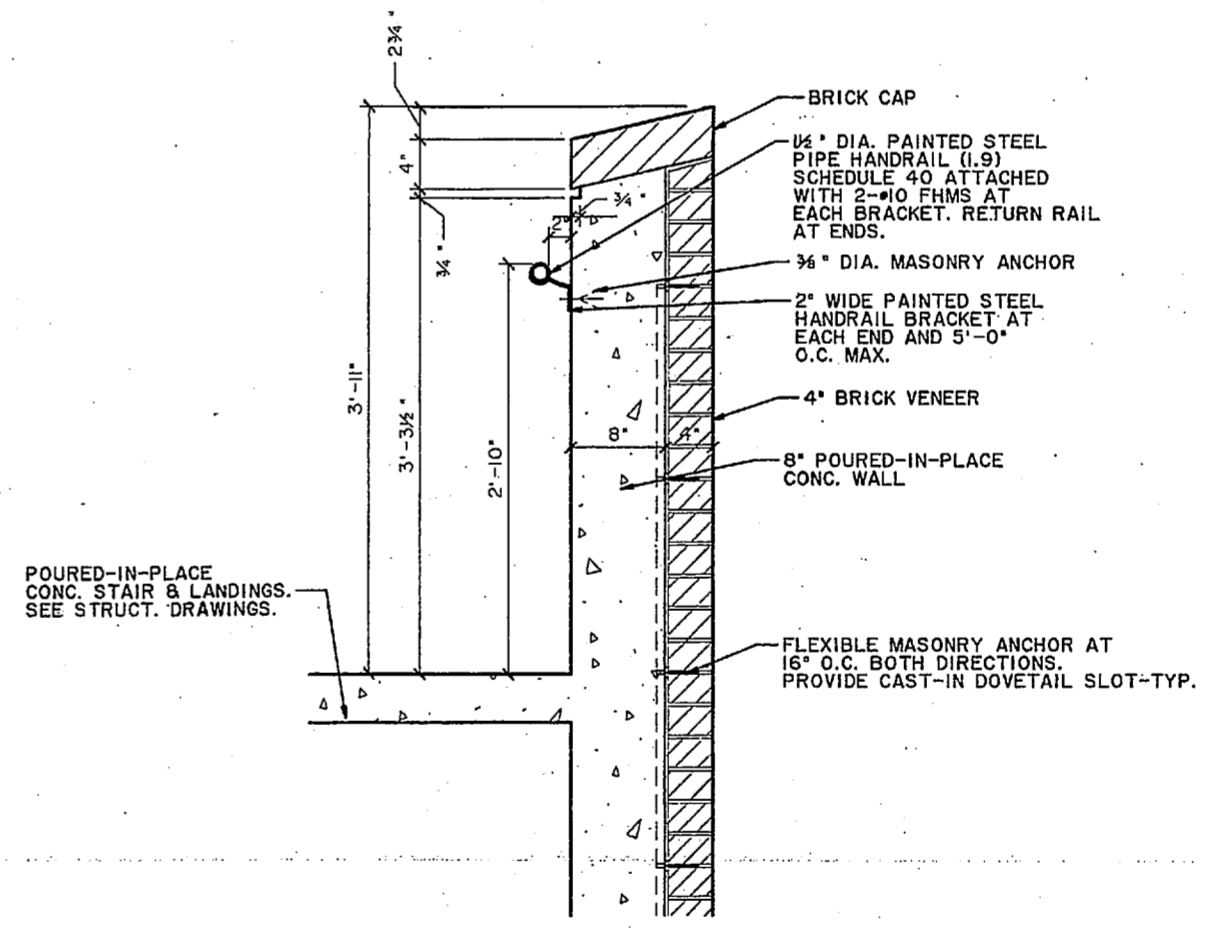
2 STAIR PLAN DETAIL
SCALE: 1 1/2"=1'-0"



3 STAIR DETAIL
SCALE: 1 1/2"=1'-0"



4 STAIR DETAIL
SCALE: 1 1/2"=1'-0"



5 STAIR DETAIL
SCALE: 1 1/2"=1'-0"

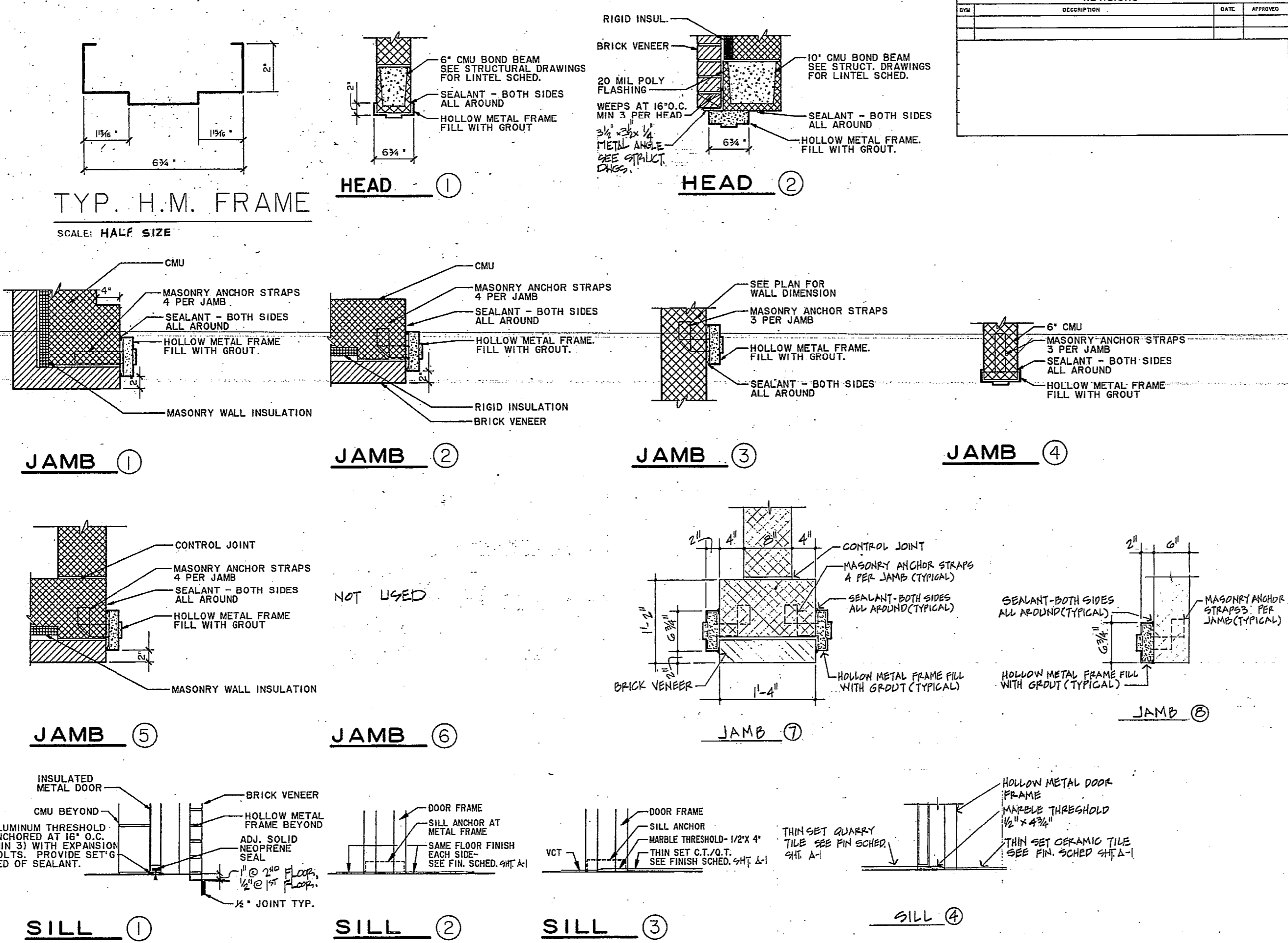
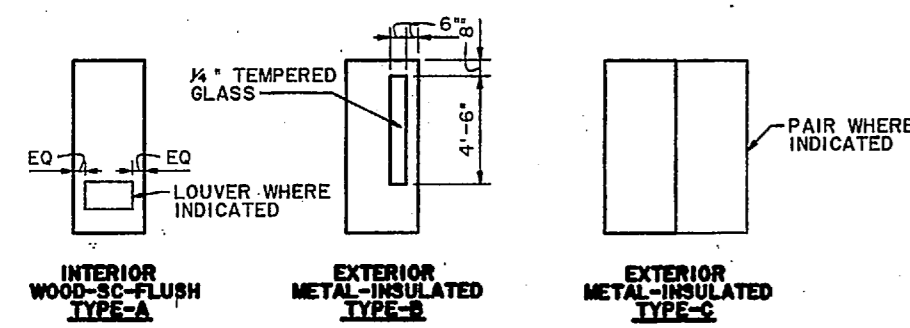


RECORD DRAWING LETTER DATED		A-9	
DEPARTMENT OF THE NAVY NAVAL FACILITIES ENGINEERING COMMAND			
ATLANTIC DIVISION			
NAVAL STATION		PORTFOLIO, VIRGINIA	
NAVAL HOSPITAL		CAMP LEJEUNE, N.C.	
BACHELOR ENLISTED QUARTERS			
STAIR DETAILS			
SPD NO. 451740	DATE 3-20-47	SIZE F	CODE IDENT. NO. 80091
DESIGNER YLM	DATE 3-20-47	NAVY FAC. DRAWING NO. 4157740	COVER. CONTROL NO. NG2470-85-B-5142
PROJ. MGR. SMG	DATE 3-20-47	SCALE AS NOTED SPEC. 05-85-5306	SHEET 24 OF 66

10 9 8 7 6 5 4 3 2 1

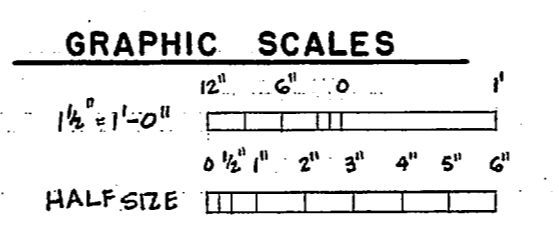
DOOR SCHEDULE						
DOOR NO	DOOR SIZE	DOOR TYPE	DETAILS			NOTES
			HEAD	JAMB	SILL	
1	3'-0"x7'-2"	C	2	1	2	
2	2'-4"x6'-8"	A	1	3	4	UNDERCUT
3	2'-0"x7'-2"	C	2	2	7	
4	ALUMINUM DOORS - SEE ELEVATION SHEET A-11					
5	ALUMINUM DOORS - SEE ELEVATION SHEET A-11					
6	2'-4"x6'-8"	A	1	4	3	
7	3'-0"x6'-8"	A	1	4	8	UNDERCUT
8	3'-0"x7'-2"	C	2	5	2	
9	3'-0"x6'-8"	A	1	4	3	12"x12"
10	3'-0"x7'-2"	C	2	2	1	24"x12"
11	3'-0"x7'-2"	C	2	2	1	
12	2'-3'-0"x7'-2"	C	2	2	1	24"x24"
13	3'-0"x7'-2"	C	2	2	2	
14	ALUMINUM DOORS - SEE ELEVATION SHEET A-11					
15	1'-4"x6'-8"	A	1	4	3	24"x12"
16	3'-0"x7'-2"	C	2	5	2	
17	3'-0"x7'-2"	C	2	2	1	12"x12"
18	ALUMINUM DOORS - SEE ELEVATION SHEET A-11					
19	3'-0"x7'-2"	C	2	2	2	
20	2'-8"x7'-2"	C	2	5	1	1 HR
21	2'-8"x7'-2"	C	2	5	2	

NOTES
 1. PROVIDE PEEP HOLE AT 5'-0" A.F.F.
 2. SILL 1 FOR SECOND FLOOR ONLY.
 3. LOUVER MUST BE FIRE-RATED
 4. PROVIDE 1/2 HR. LABELED DOOR AT DOOR 20A



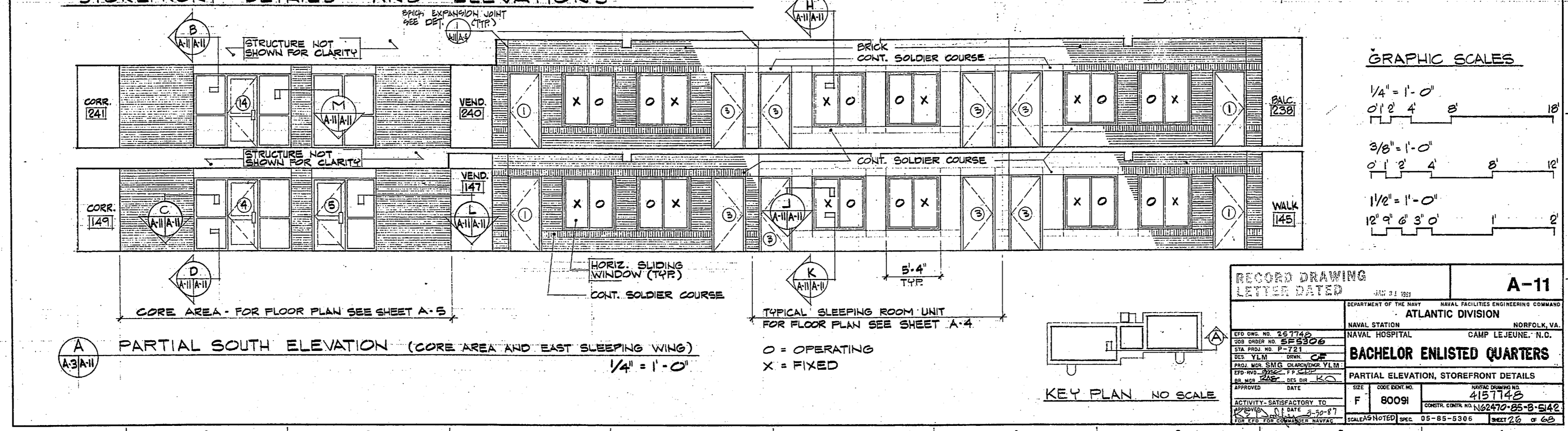
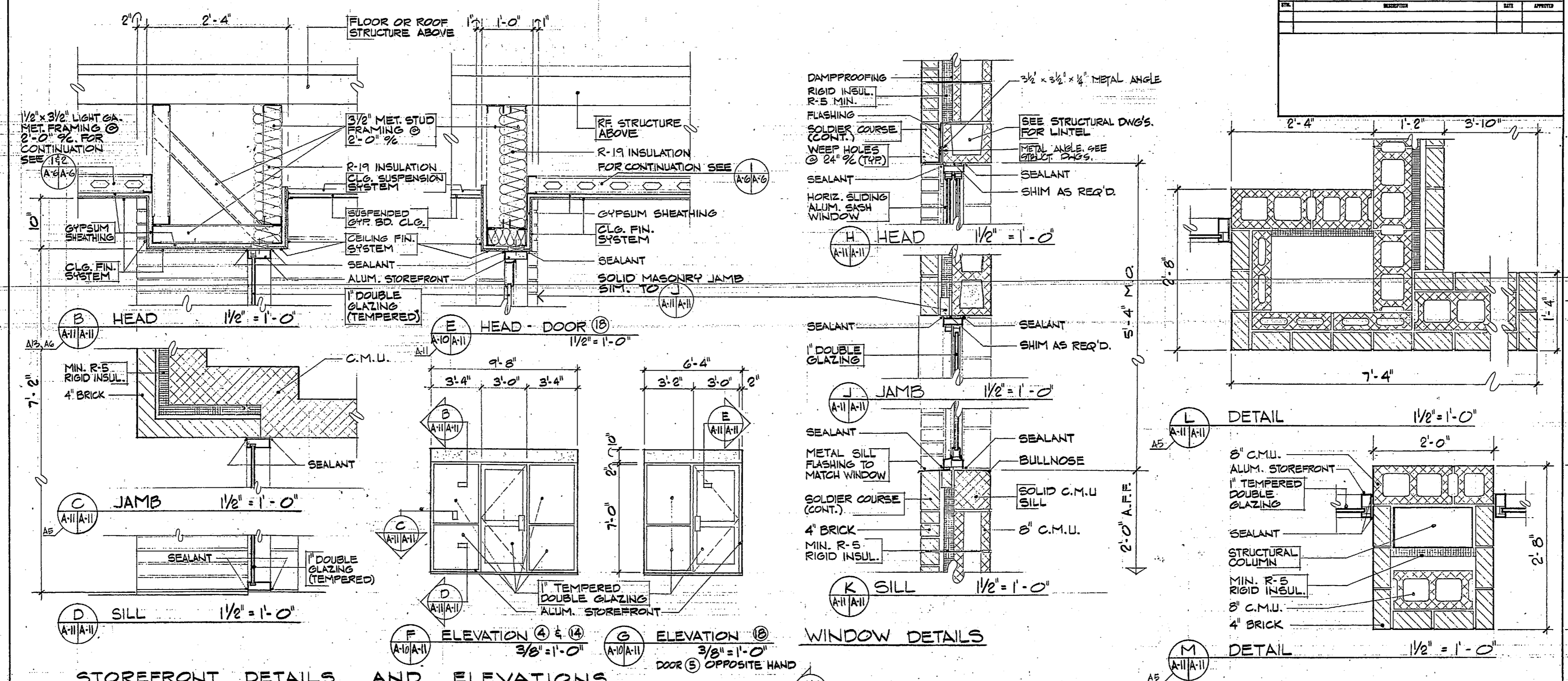
TYPICAL DOOR DETAILS
SCALE: 1 1/2" = 1'-0"

REVISIONS		
NO.	DESCRIPTION	DATE

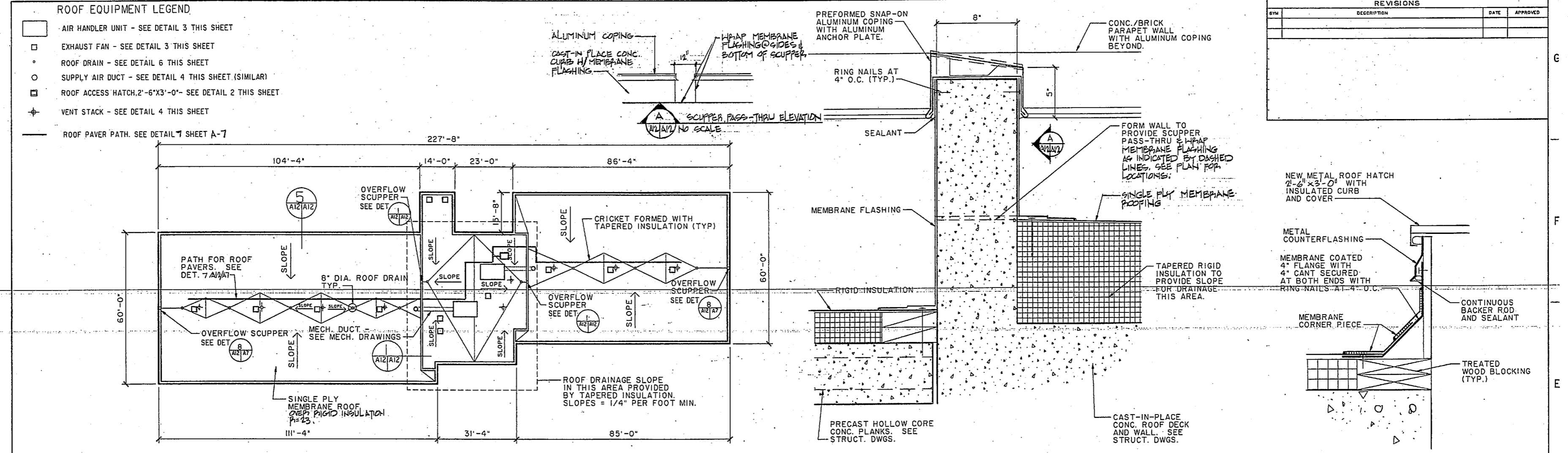


RECORD DRAWING	A-10
DEPARTMENT OF THE NAVY	ATLANTIC DIVISION
NAVAL HOSPITAL	CAMP LEJEUNE, N.C.
PROJECT NO. 257747	
DESIGN NO. 30306	
REV. NO. P-721	
DESIGNER YLM	
CHECKER YLM	
DATE 3-28-68	
ACTIVITY/FACILITY TO	F 80091
SCALE AS NOTED	SCALE AS NOTED

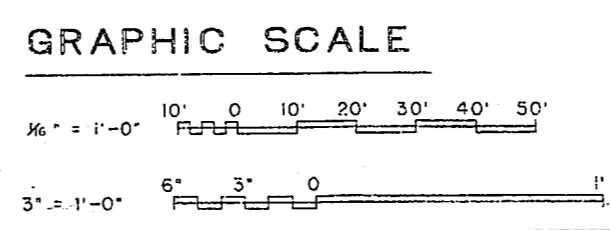
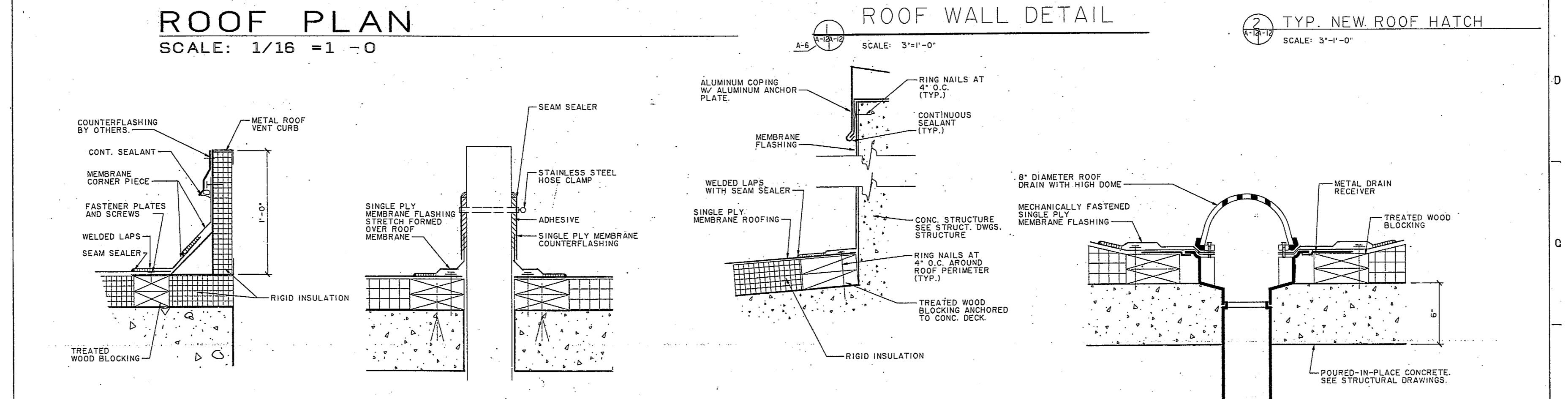




10 9 8 7 6 5 4 3 2 1



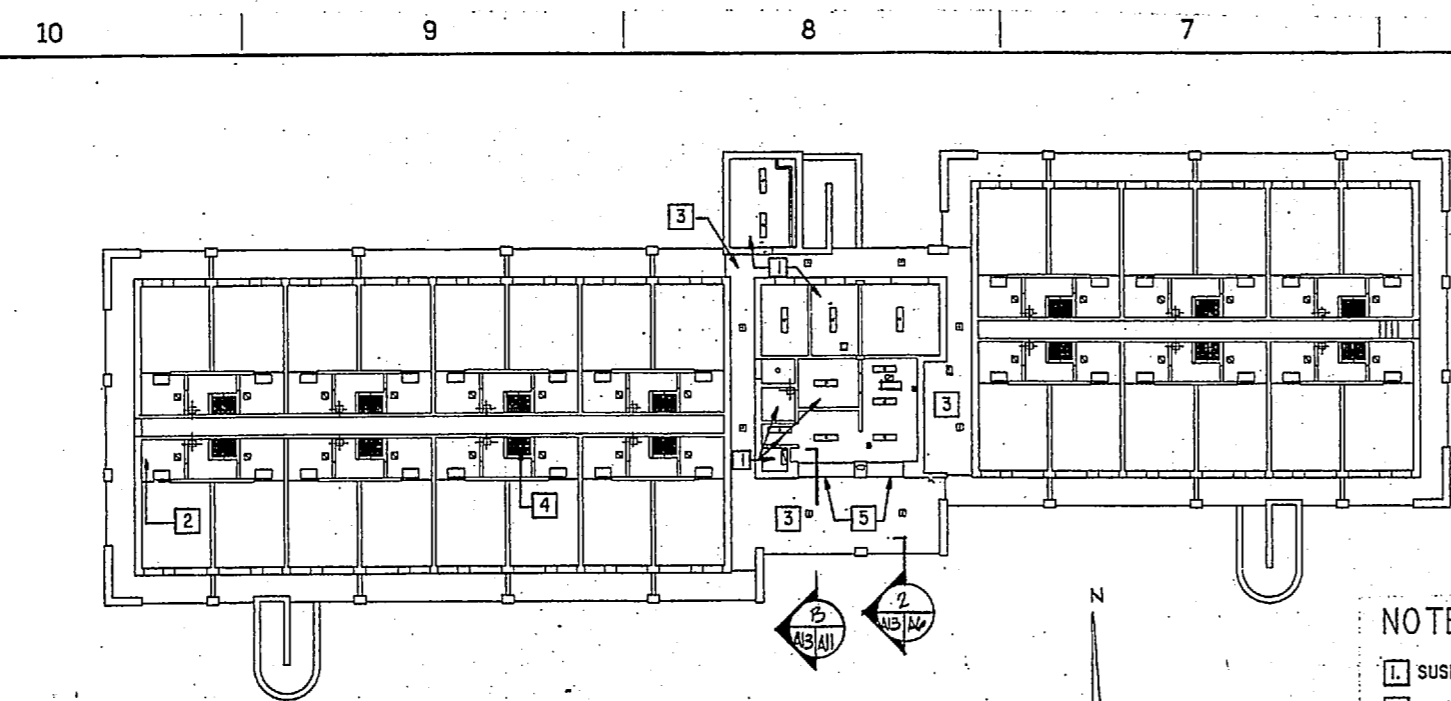
REVISIONS		
NO.	DESCRIPTION	DATE



RECORD DRAWING LETTER DATED 3/14 3/1 1951		A-12	
DEPARTMENT OF THE NAVY NAVAL STATION ATLANTIC DIVISION NAVAL HOSPITAL CAMP LEJEUNE, N.C.			
BACHELOR ENLISTED QUARTERS			
ROOF PLAN/DETAILS			
DESIGNER YLM	CHECKED YLM	DATE 3/27	PROJECT NO. 4157749
APPROVED YLM	DATE 3/27	SCALE AS NOTED	CONTRACT NO. NS2470-85-B-3142

10 9 8 7 6 5 4 3 2 1

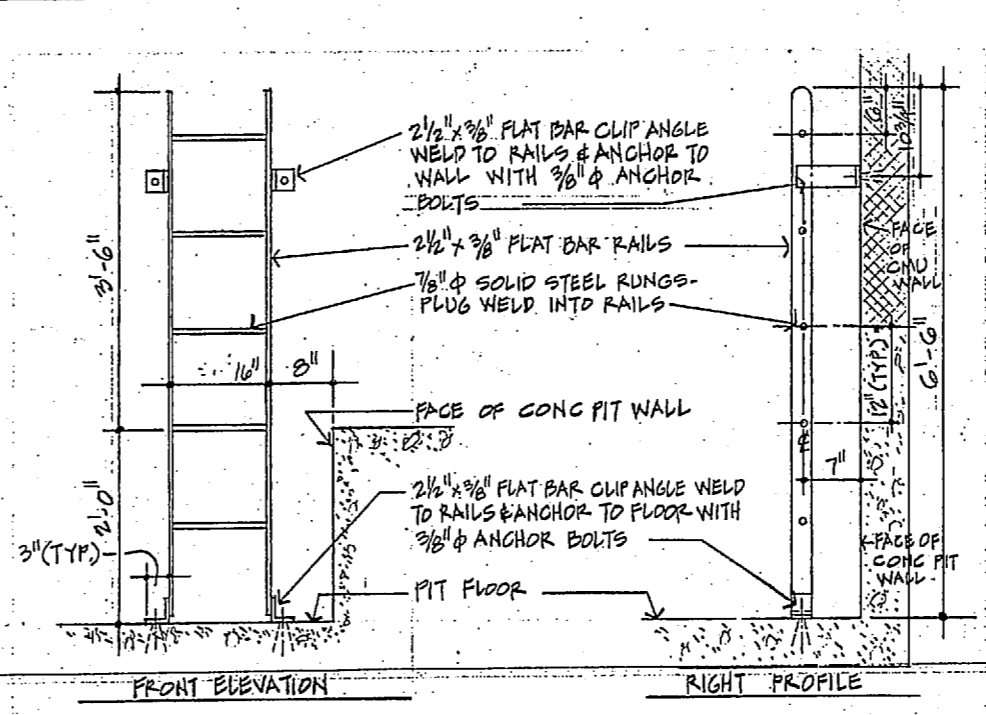




1ST FLOOR REFLECTED CEILING
SCALE: 1/16"=1'-0"

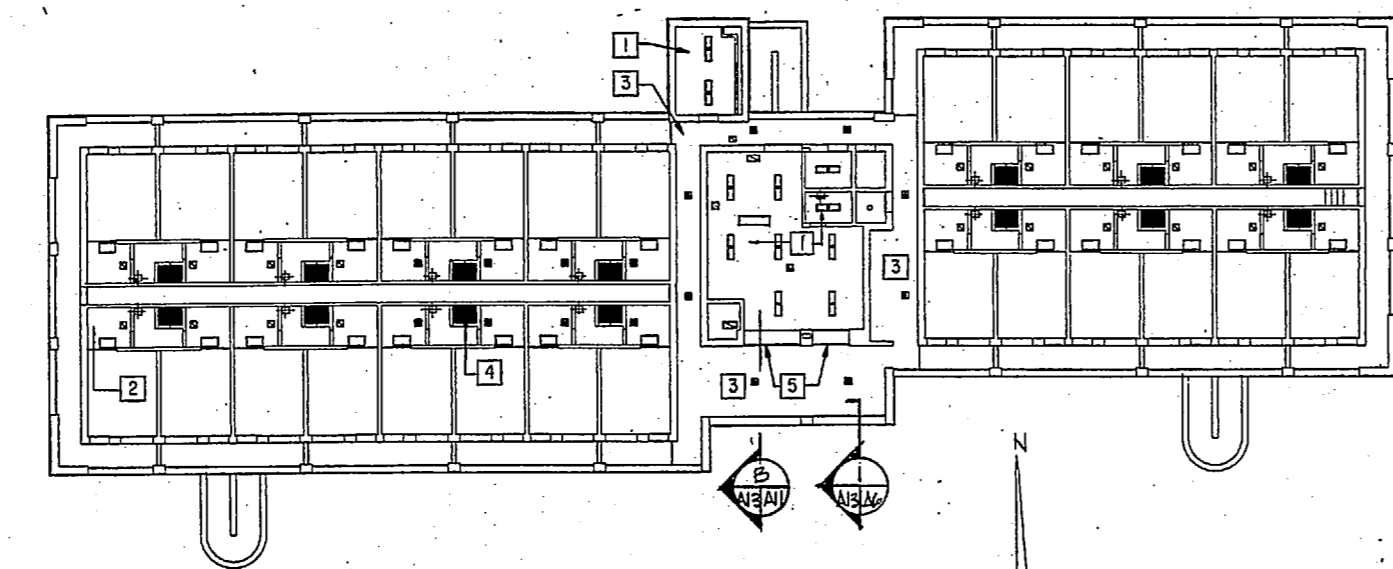
- SYMBOL LEGEND**
- 1'x4' FLOURESCENT FIXTURE
 - HIGH PRESSURE SODIUM
 - SUPPLY AIR GRILLE
 - RETURN AIR GRILLE
 - MECH. ACCESS PANEL SEE DET.
 - INCANDESCENT LIGHT FIXTURE
 - EXHAUST FAN GRILLE

- NOTES**
- 1] SUSPENDED 5/8" GWB CEILING AT 7'-11" A.F.F.
 - 2] SUSPENDED 5/8" GWB CEILING AT 7'-5" A.F.F.
 - 3] EXTERIOR CEILING FINISH SYSTEM
 - 4] 1/2" EXTERIOR GYPSUM SOFFIT BOARD
 - 5] EXTERIOR CEILING FINISH SYSTEM SOFFIT @ 7'-2" A.F.F.

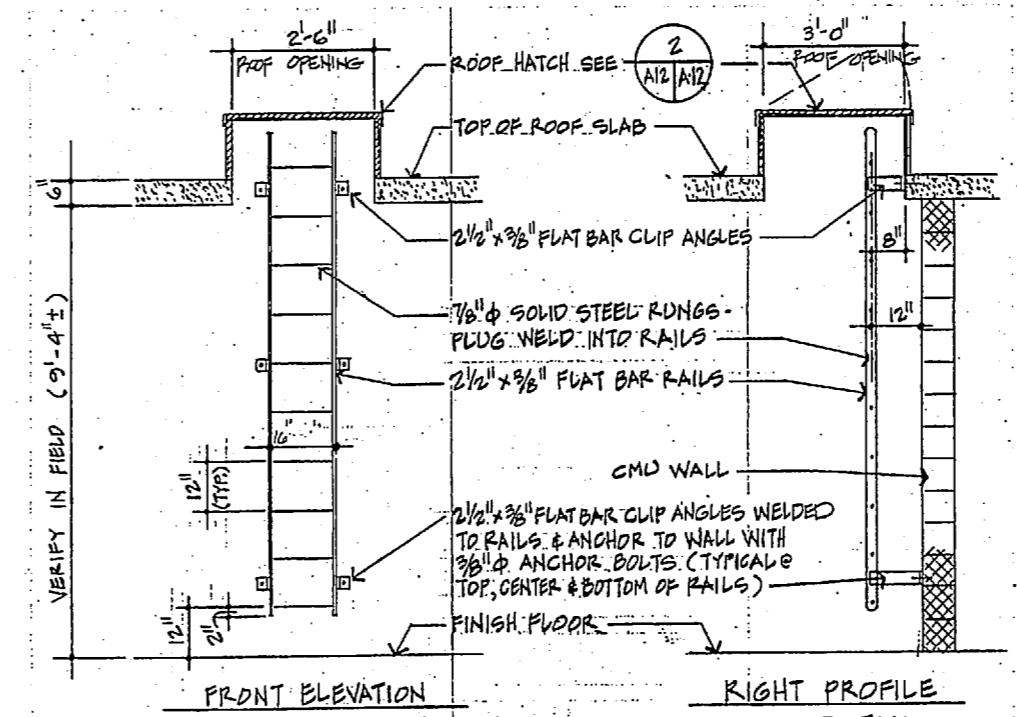


2] TYPICAL PIT ACCESS LADDER DETAIL
SCALE: 1"=1'-0"

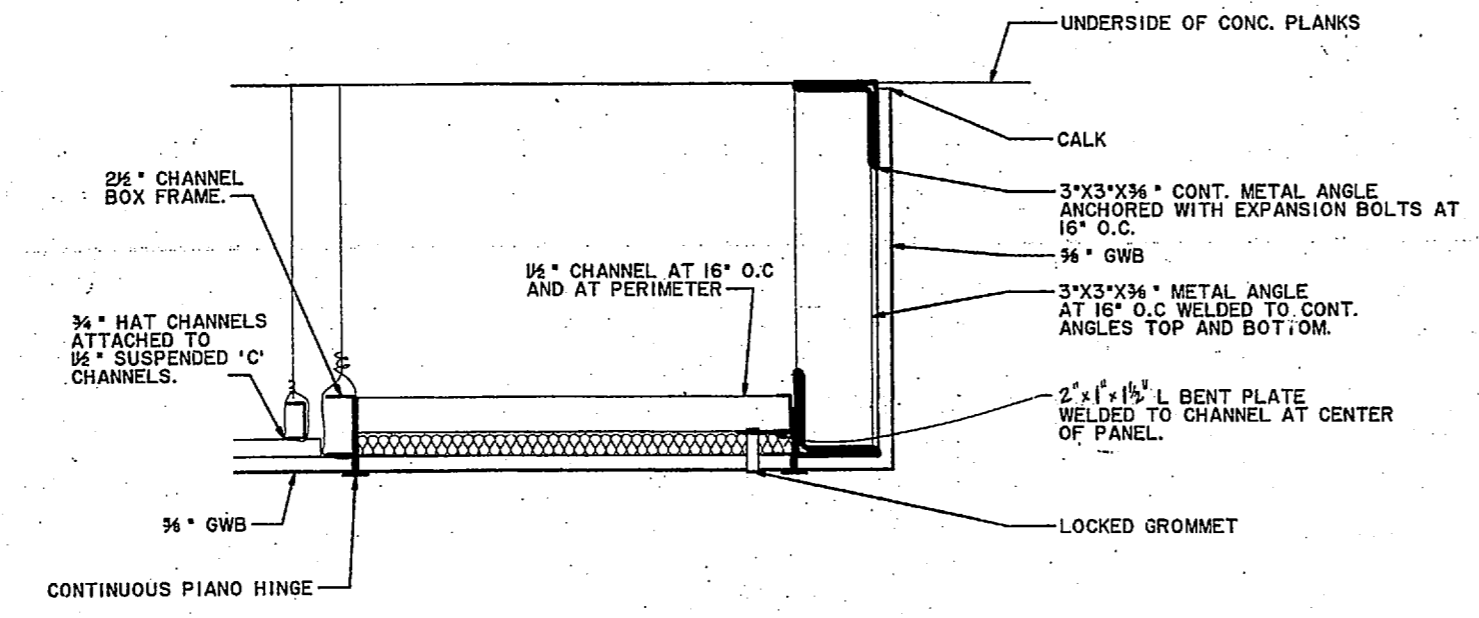
REVISIONS			
NO.	DESCRIPTION	DATE	APPROVED



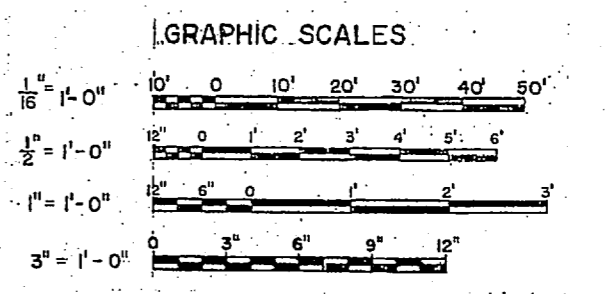
2ND FLOOR REFLECTED CEILING
SCALE: 1/16"=1'-0"



3] TYPICAL ROOF ACCESS LADDER DETAIL
SCALE: 1/2"=1'-0"

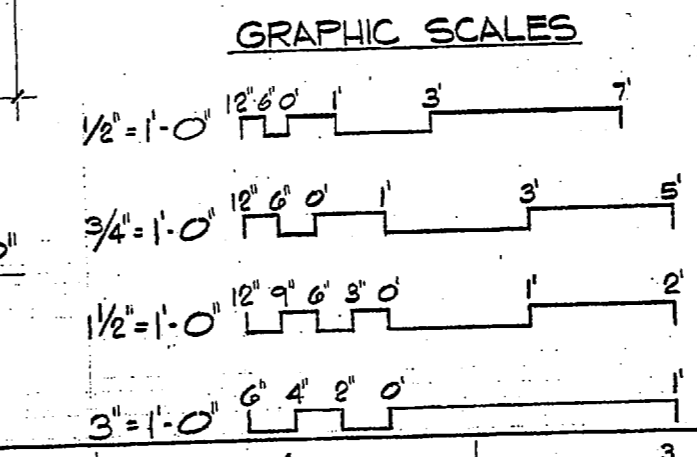
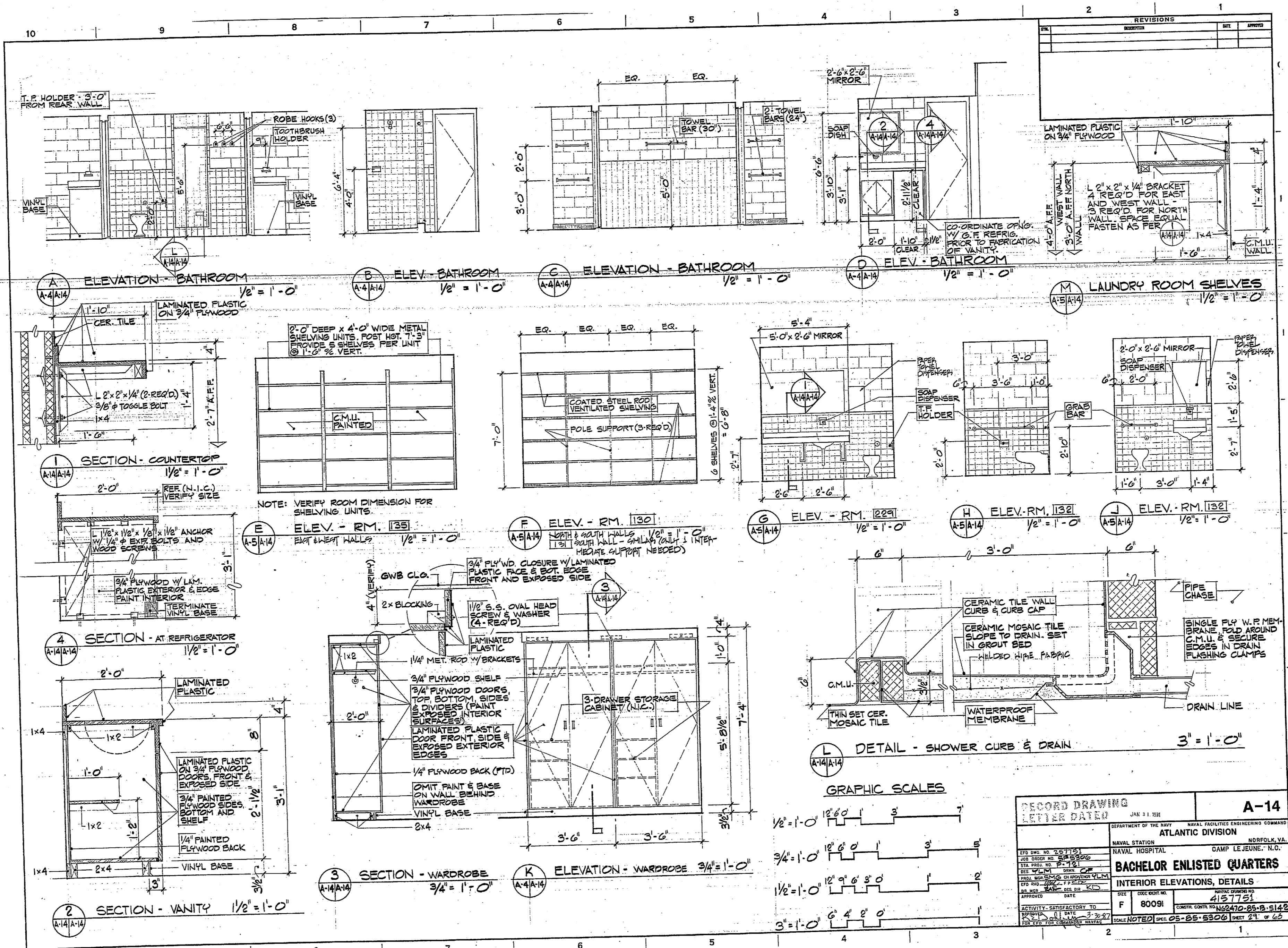


SOFFIT/ACCESS PANEL DETAIL
SCALE: 3/16"=1'-0"
SEE MECH. DRAWINGS FOR GRID & EXACT LOCATION OF ACCESS PANEL

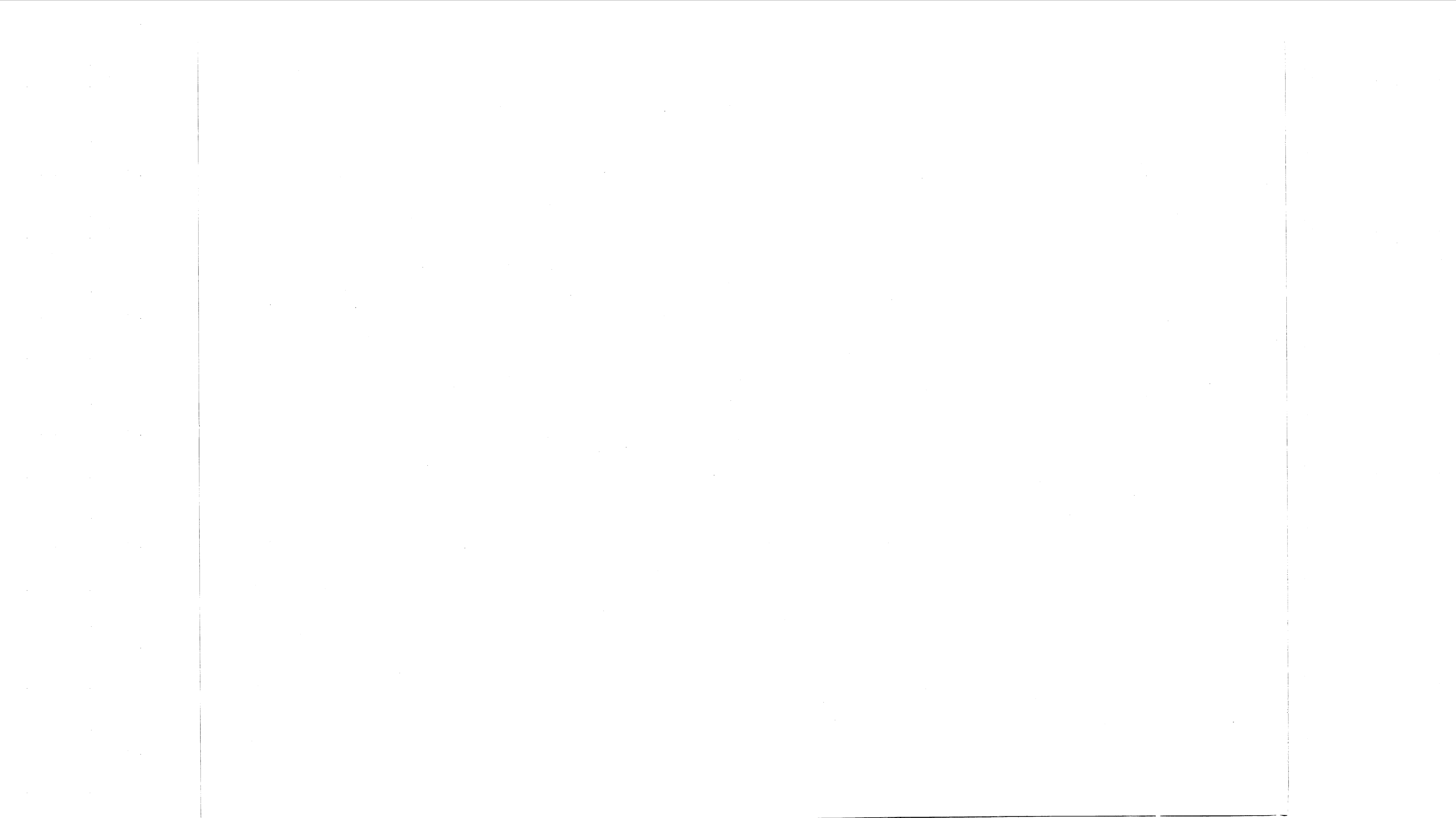


DEPARTMENT OF THE NAVY NAVAL HOSPITAL CAMP LEJEUNE, N.C.		A-13 <small>NAVAL FACILITIES ENGINEERING DIVISION JAMEL, VIRGINIA</small>
BACHELOR ENLISTED QUARTERS REFLECTED CEILING PLANS		
PROJ. NO. 257750 AN. NO. 585306 STA. NO. P-701 DES. YLM DRAWN YLM CHECKED YLM DATE 1-15-68 BY YLM	DRAWING NO. 4157750 SHEET 28 OF 68	F 80091 N62470-85-B-5142





RECORD DRAWING		A-14	
LETTER DATED		JAN 31 1951	
DEPARTMENT OF THE NAVY		NAVAL FACILITIES ENGINEERING COMMAND	
NAVAL STATION		ATLANTIC DIVISION	
NAVAL HOSPITAL		DAMP LEJEUNE, N.C.	
PROJECT TITLE		BACHELOR ENLISTED QUARTERS	
INTERIOR ELEVATIONS, DETAILS			
ACTIVITY - SATISFACTORY TO	DATE	SCALE	NOTED

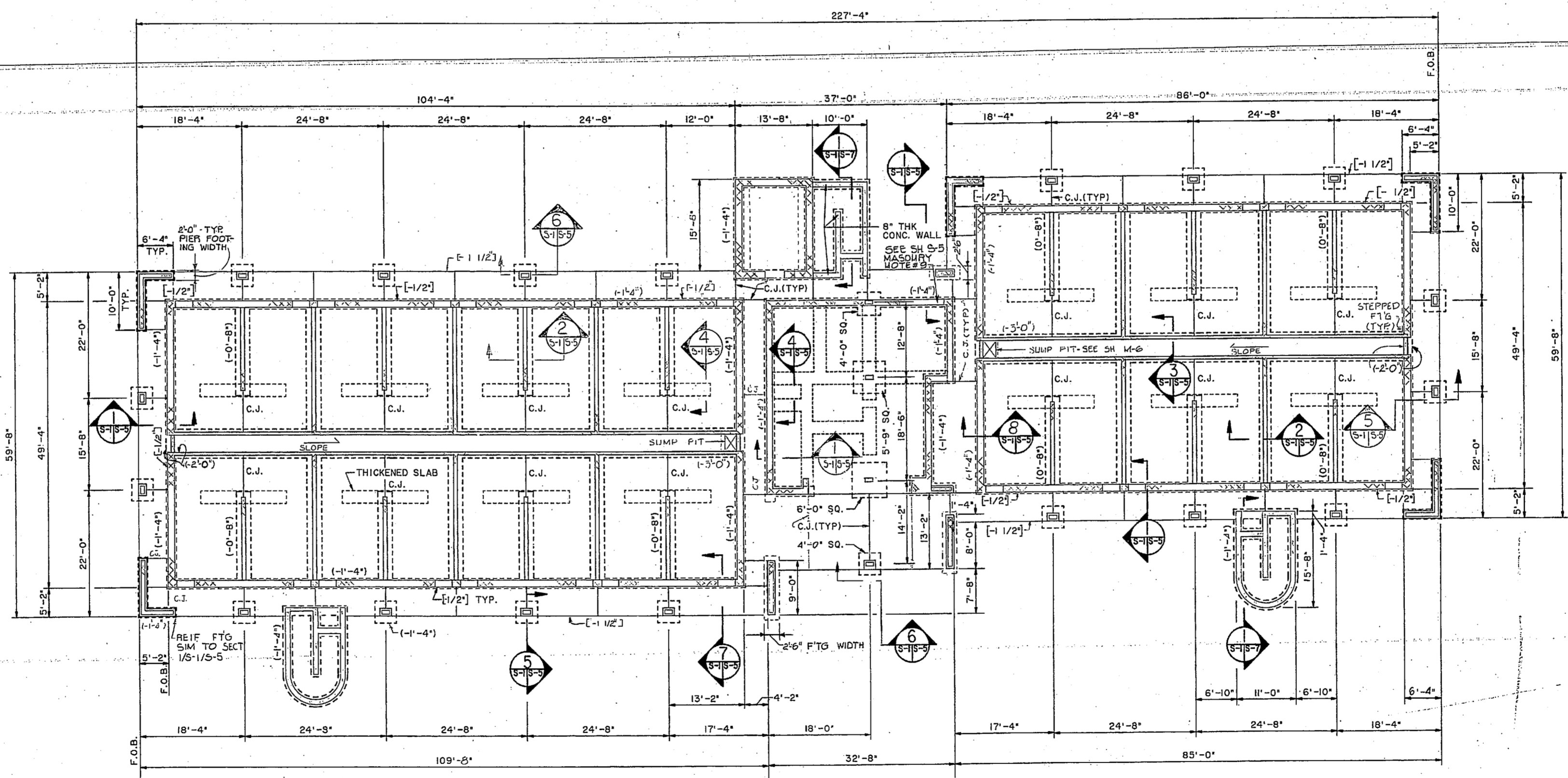


10 9 8 7 6 5 4 3 2 1

FOUNDATION NOTES:

1. DATUM FOR ALL ELEVATIONS GIVEN ON THESE PLANS IS FINISHED FIRST FLOOR ELEVATION 29'-0" = 0'-0".
2. TOP OF CONCRETE SLAB IS AT (40') UNLESS NOTED THUS [E] ON PLAN.
3. FLOOR CONSTRUCTION IS A 4" CONCRETE SLAB ON GRADE ON VAPOR BARRIER. REINFORCE SLAB WITH 6 X 6 - W2.1 X W2.1 PLACE WIRE MESH 1/2" FROM TOP OF SLAB.
4. ALL FOOTINGS HAVE BEEN DESIGNED BASED ON A MINIMUM ALLOWABLE SOIL BEARING PRESSURE OF 2500 P.S.F.
5. LOCATIONS OF CRACK CONTROL JOINTS FOR SLAB ON GRADE ARE NOTED THUS (C.J.) ON PLAN. CONSTRUCTION JOINTS MAY BE SUBSTITUTED FOR CRACK CONTROL JOINTS.
6. WHERE UNSUITABLE MATERIAL IS ENCOUNTERED IN EXCAVATIONS, THE CONTRACTING OFFICER SHALL BE NOTIFIED IMMEDIATELY.
7. MARKS SHOWN THUS () INDICATE TOP OF FOOTING ELEVATION AS REFERENCED TO FINISHED FLOOR.
8. TOP OF EXTERIOR FOOTINGS TO BE 16" BELOW FINISHED FLOOR. TOP OF INTERIOR FOOTINGS TO BE 8" BELOW FINISHED FLOOR (U.O.M.).
9. ALL DIMENSIONS ARE TO FACE OF BUILDING OR CENTERLINE OF BEAMS AND COLUMNS.

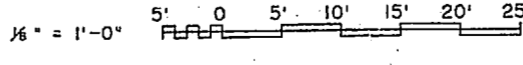
REVISIONS		
NO.	DESCRIPTION	DATE



FIRST FLOOR AND FOUNDATION PLAN

SCALE: 1/8" = 1'-0"

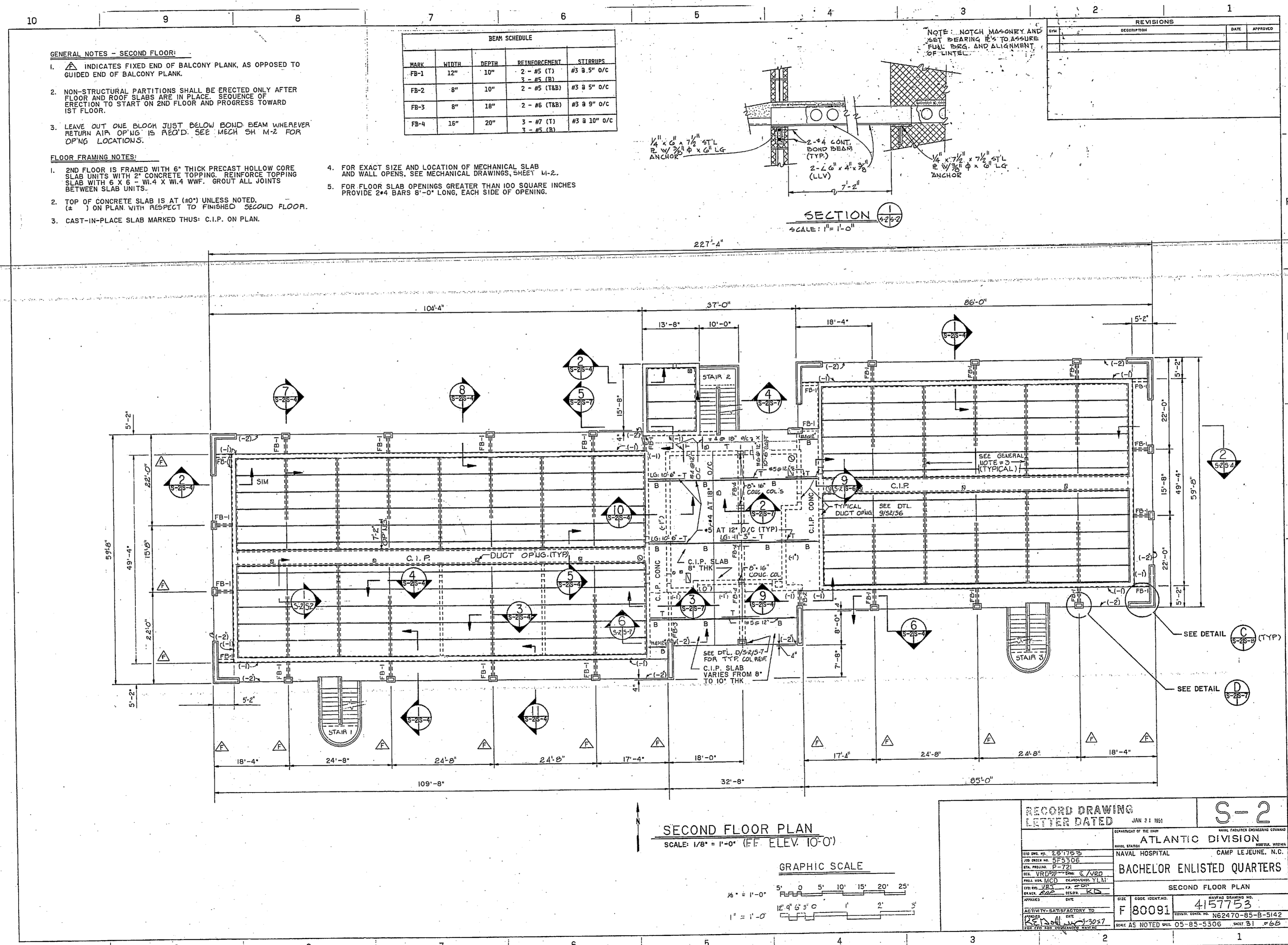
GRAPHIC SCALE



RECORD DRAWING LETTER DATED 1951 21 1521		S-1	
DEPARTMENT OF THE NAVY NAVAL FACILITIES ENGINEERING COMMAND		ATLANTIC DIVISION NAVAL HOSPITAL CAMP LEJEUNE, N.C.	
BACHELOR ENLISTED QUARTERS			
FIRST FLOOR AND FOUNDATION PLAN			
DESIGN NO. 2011752	DATE 11/55	SIZE 11" X 17"	NAVY DRAWING NO. 4157752
DESIGNER J.P.C.	DATE 11/55	CHECKED J.P.C.	CORPORAL CENTER NO. NS2470-85-B-5142
APPROVED [Signature]	DATE 11/55	SCALE AS NOTED 1/8" = 1'-0"	SHEET 30 OF 62

10 9 8 7 6 5 4 3 2 1





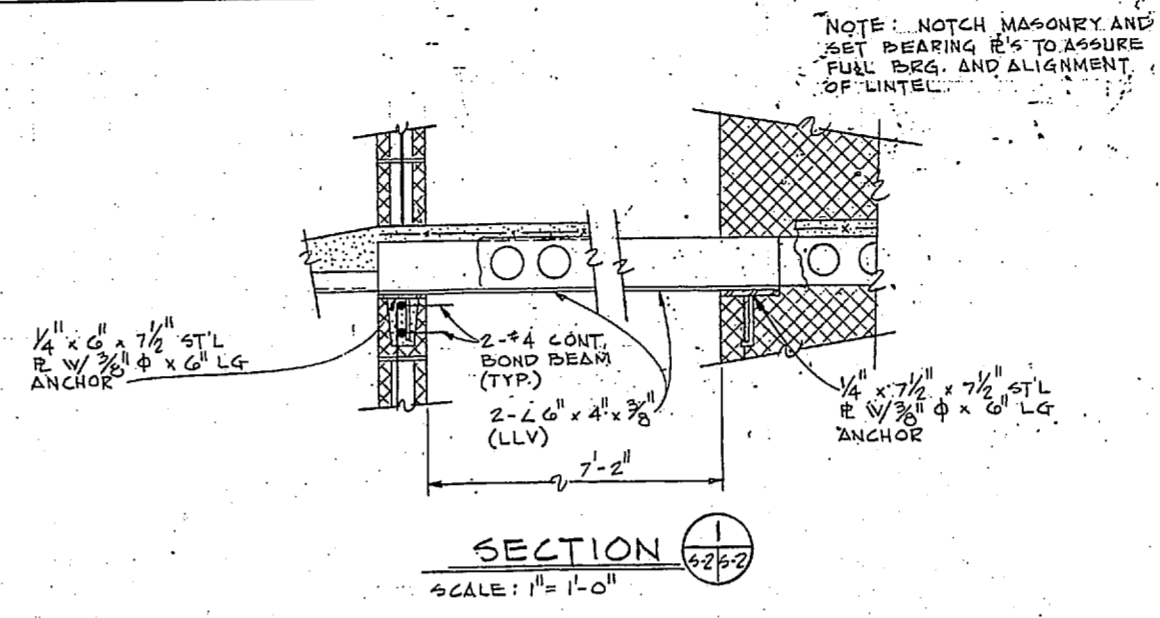
GENERAL NOTES - SECOND FLOOR:

- INDICATES FIXED END OF BALCONY PLANK, AS OPPOSED TO GUIDED END OF BALCONY PLANK.
- NON-STRUCTURAL PARTITIONS SHALL BE ERECTED ONLY AFTER FLOOR AND ROOF SLABS ARE IN PLACE. SEQUENCE OF ERECTION TO START ON 2ND FLOOR AND PROGRESS TOWARD 1ST FLOOR.
- LEAVE OUT ONE BLOCK JUST BELOW BOND BEAM WHEREVER RETURN AIR OP'NG IS REQ'D. SEE MECH SH M-2 FOR OP'NG LOCATIONS.

FLOOR FRAMING NOTES:

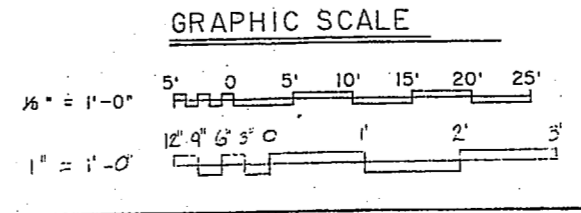
- 2ND FLOOR IS FRAMED WITH 6" THICK PRECAST HOLLOW CORE SLAB UNITS WITH 2" CONCRETE TOPPING. REINFORCE TOPPING SLAB WITH 6 X 6 - W1.4 X W1.4 WWF. GROUT ALL JOINTS BETWEEN SLAB UNITS.
- TOP OF CONCRETE SLAB IS AT (+0') UNLESS NOTED. (+) ON PLAN WITH RESPECT TO FINISHED SECOND FLOOR.
- CAST-IN-PLACE SLAB MARKED THUS: C.I.P. ON PLAN.

MARK	WIDTH	DEPTH	REINFORCEMENT	STIRRUPS
FB-1	12"	10"	2 - #5 (T) 3 - #5 (B)	#3 @ 5" O/C
FB-2	8"	10"	2 - #5 (T&B)	#3 @ 5" O/C
FB-3	8"	18"	2 - #6 (T&B)	#3 @ 9" O/C
FB-4	16"	20"	3 - #7 (T) 3 - #5 (B)	#3 @ 10" O/C



NO.	DESCRIPTION	DATE	APPROVED

SECOND FLOOR PLAN
SCALE: 1/8" = 1'-0" (FF ELEV. 10'-0")



RECORD DRAWING
LETTER DATED JAN 31 1951

S-2

DEPARTMENT OF THE NAVY
NAVAL FACILITIES ENGINEERING DIVISION
NAVAL HOSPITAL CAMP LEJEUNE, N.C.

BACHELOR ENLISTED QUARTERS

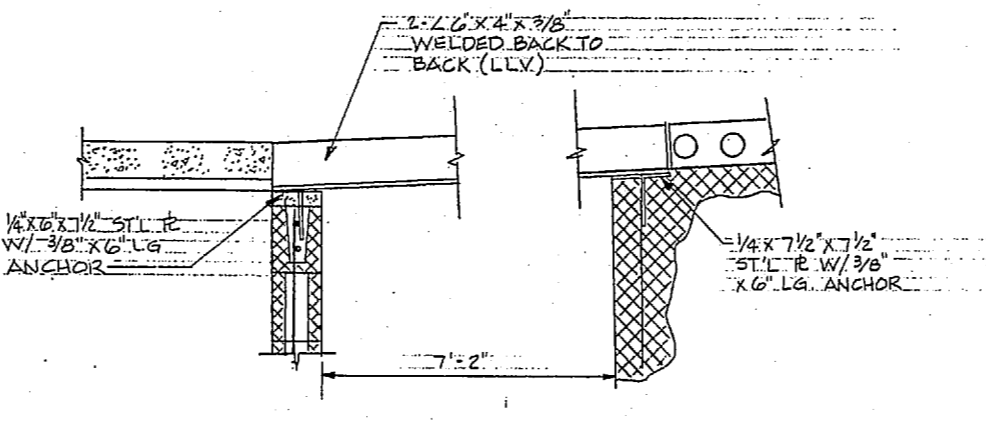
SECOND FLOOR PLAN

NAVY DRAWING NO. 4157753
F 80091
REVISION CENTER NO. N62470-85-B-5142
REVISION CENTER NO. 05-85-5306



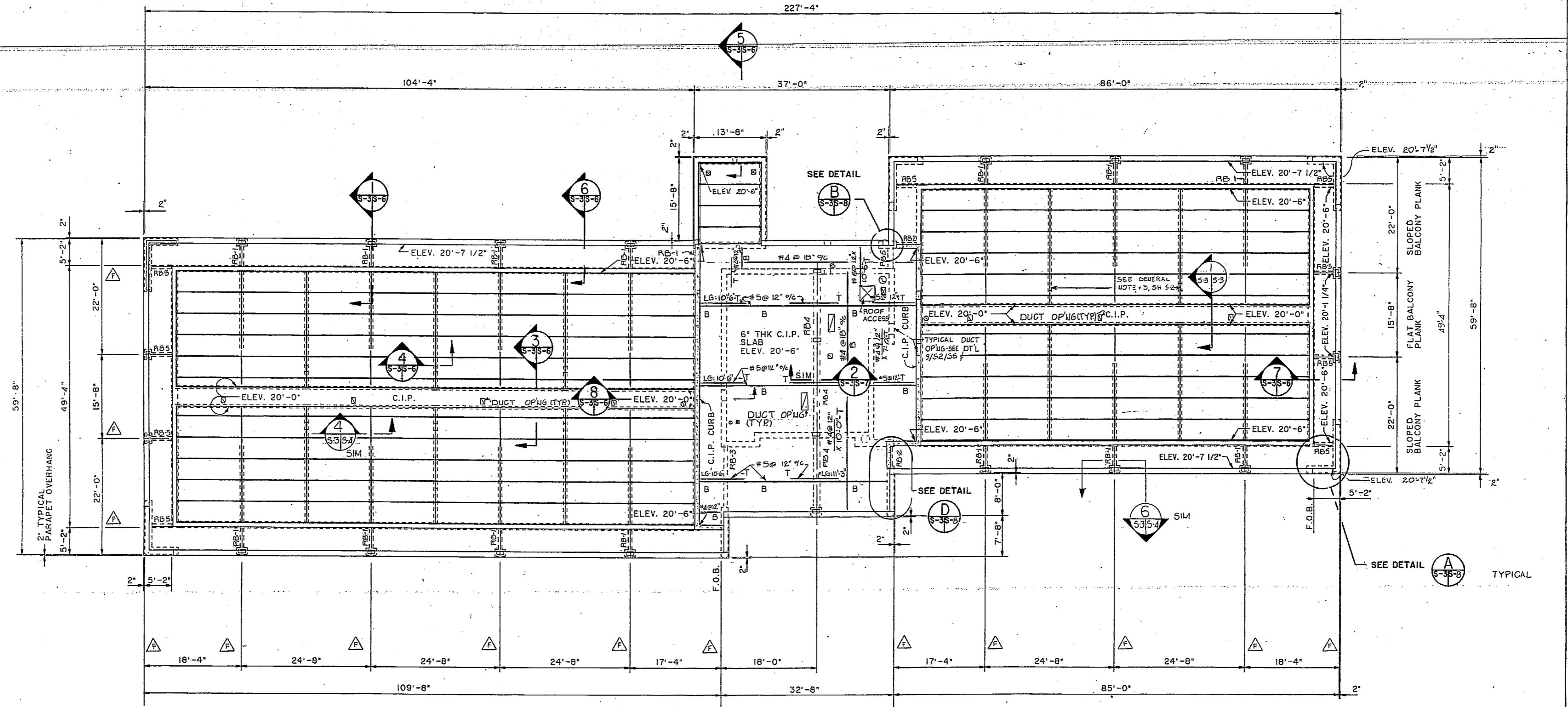
FRAMING NOTES:

- DATUM FOR ALL ELEVATIONS GIVEN ON THIS PLAN IS FINISHED FIRST FLOOR ELEVATION 29.0' ± 0'-0".
- CAST-IN-PLACE SLABS MARKED THUS: C.I.P. ON PLAN.
- FOR EXACT SIZE AND LOCATION OF MECH. ROOF AND WALL OPENINGS. SEE MECH. DRAWINGS.
- FOR ROOF SLAB OPENINGS GREATER THAN 100 SQUARE INCHES, PROVIDE 2 #4 BARS 8'-0" LONG EACH SIDE OF OPENING EXCEPT ROOF ACCESS OPENINGS WHICH SHALL BE PROVIDED W/ 2 #3 BARS 8'-0" LONG EACH SIDE OF OPENING.
- SEE ARCH DRWG SH A-12 FOR ROOF ACCESS OPENING SIZE.

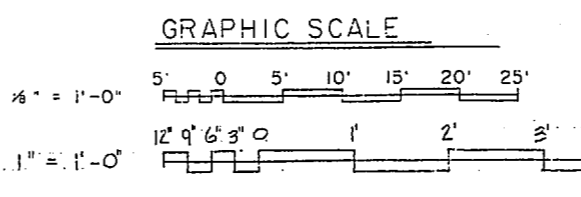


BEAM SCHEDULE				
MARK	WIDTH	DEPTH	REINFORCEMENT	STIRRUPS
RB-1	12"	VARIES 8" MIN	2 - #3 (T) 2 - #5 (B)	#3 @ 5" o/c
RB-2	8"	VARIES 8" MIN	2 - #3 (T) 2 - #5 (B)	#3 @ 5" o/c
RB-3	8"	18"	2 - #6 (T&B)	#3 @ 9" o/c
RB-4	16"	18"	3 - #7 (T) 3 - #5 (B)	#3 @ 9" o/c
RB-5	12"	8"	2 - #3 (T) 2 - #5 (B)	#3 @ 5" o/c

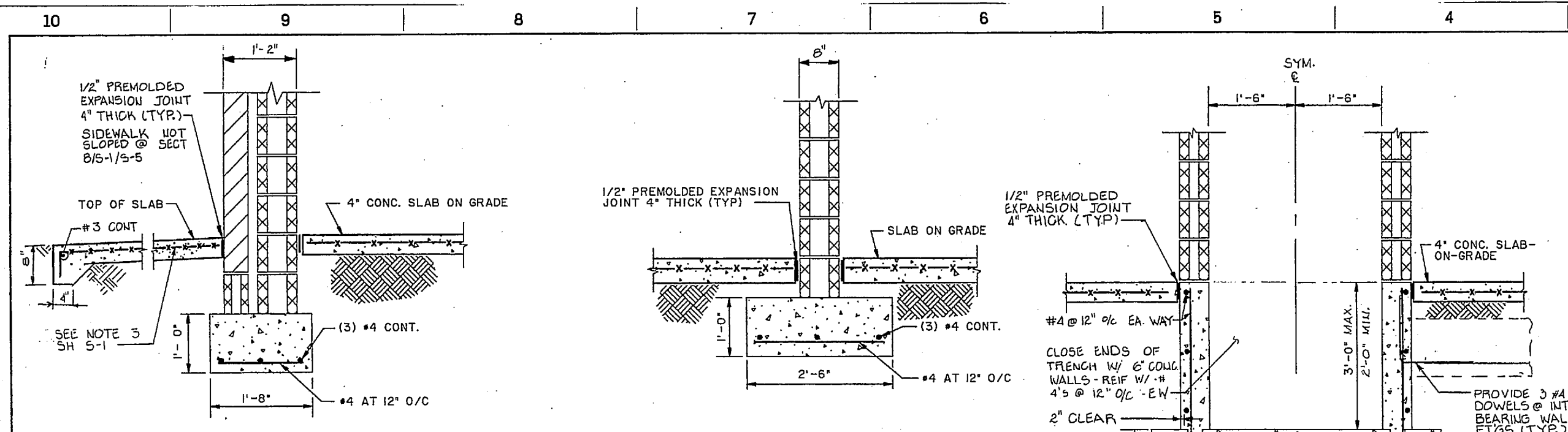
REVISIONS		
SYM	DESCRIPTION	DATE



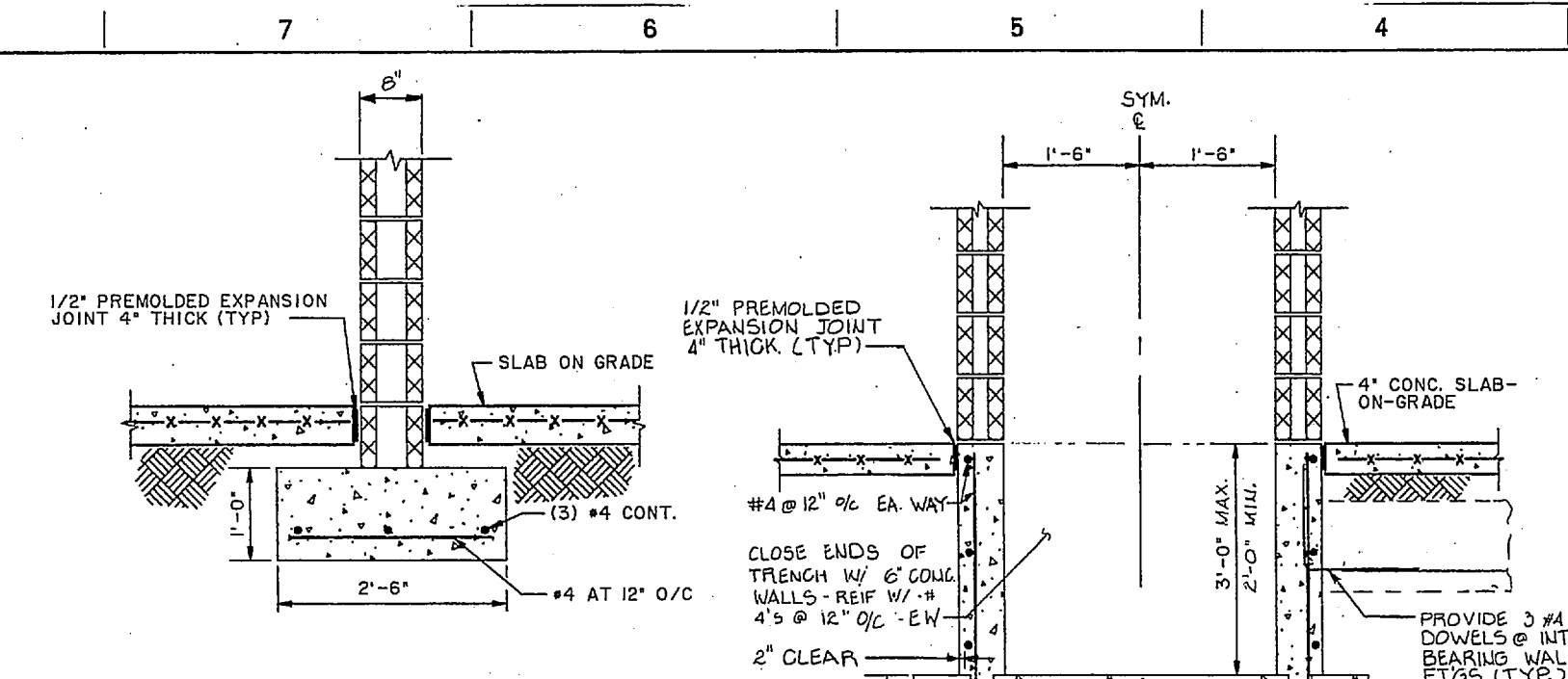
ROOF PLAN
SCALE: 1/8" = 1'-0"



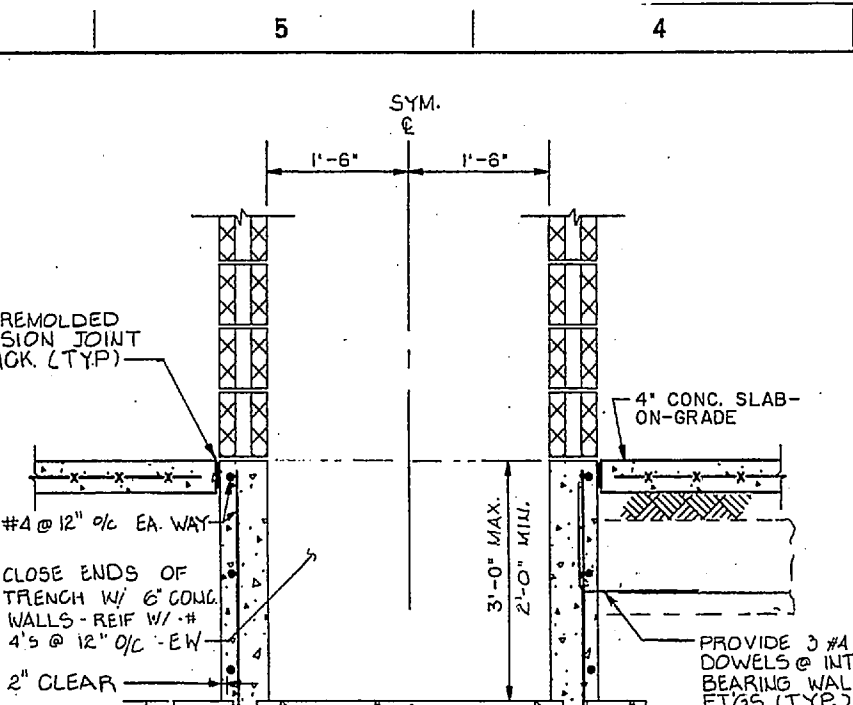
RECORD DRAWING		S-3	
LETTER DATED: JAN 31 1951		DEPARTMENT OF THE NAVY	
NAVAL FACILITIES ENGINEERING COMMAND		ATLANTIC DIVISION	
NAVAL HOSPITAL		CAMP LEJEUNE, N.C.	
BACHELOR ENLISTED QUARTERS		ROOF PLAN	
NO. 257754	NO. 55306	NO. 80091	NO. 4157754
DATE: 1-31-51		DATE: 1-31-51	
BY: [Signature]		BY: [Signature]	
CHECKED: [Signature]		CHECKED: [Signature]	
APPROVED: [Signature]		APPROVED: [Signature]	



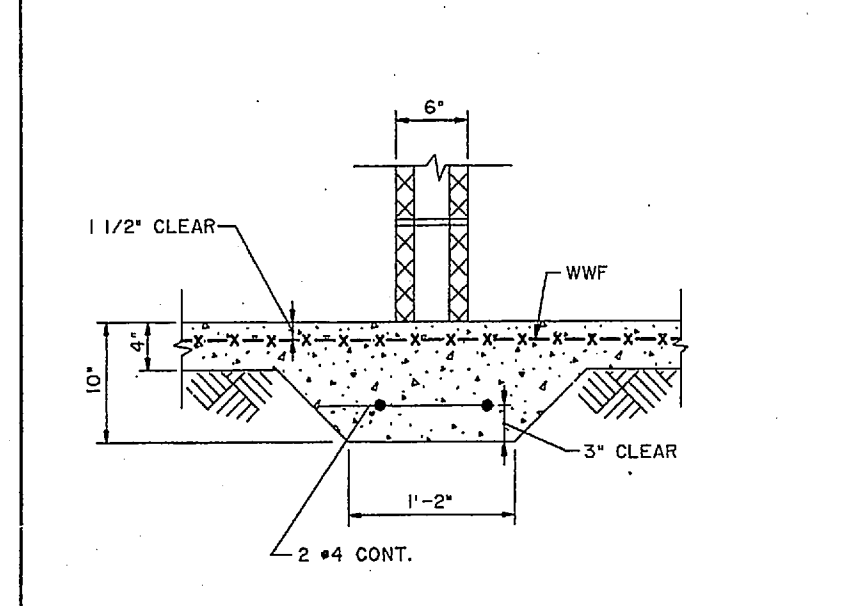
SECTION 1
SCALE: 1" = 1'-0"



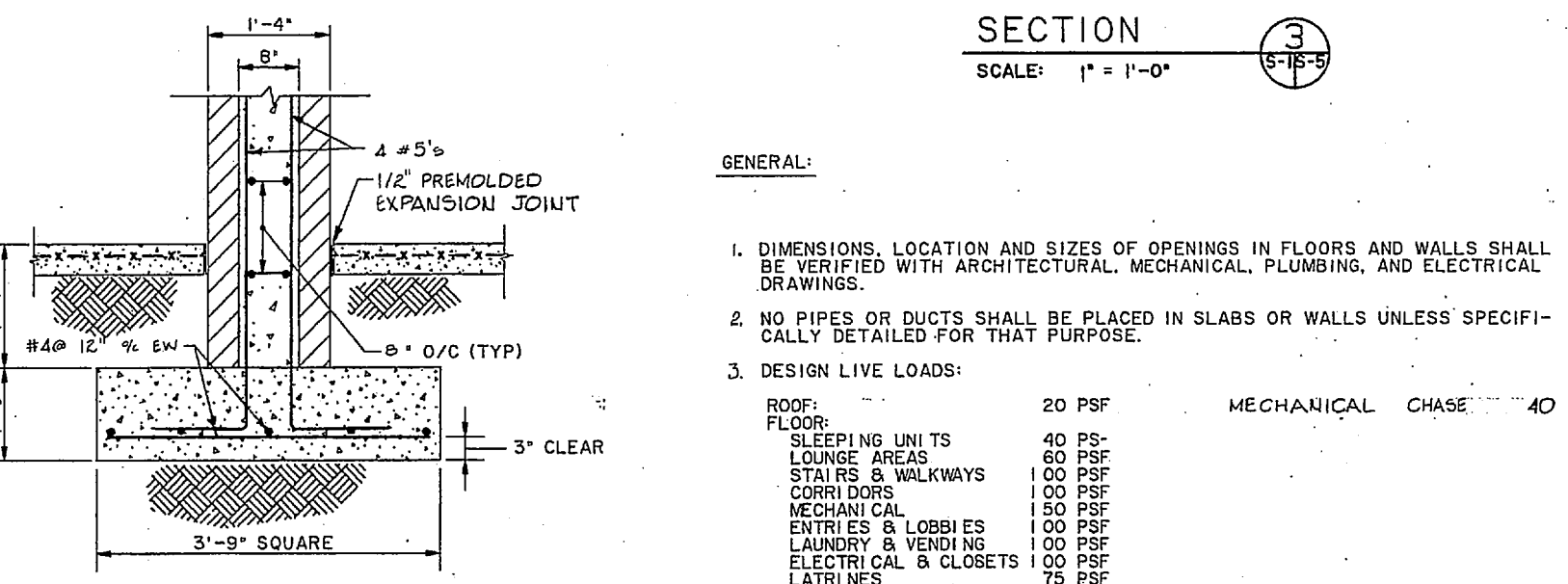
SECTION 2
SCALE: 1" = 1'-0"



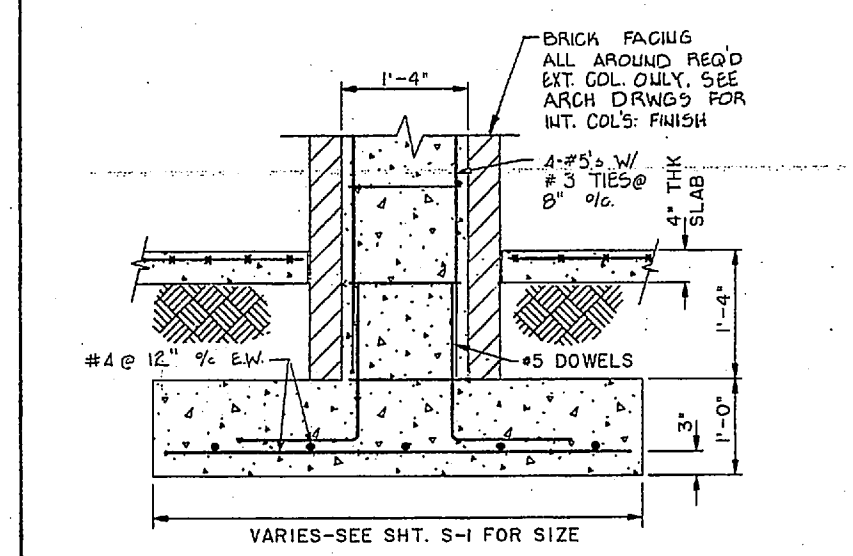
SECTION 3
SCALE: 1" = 1'-0"



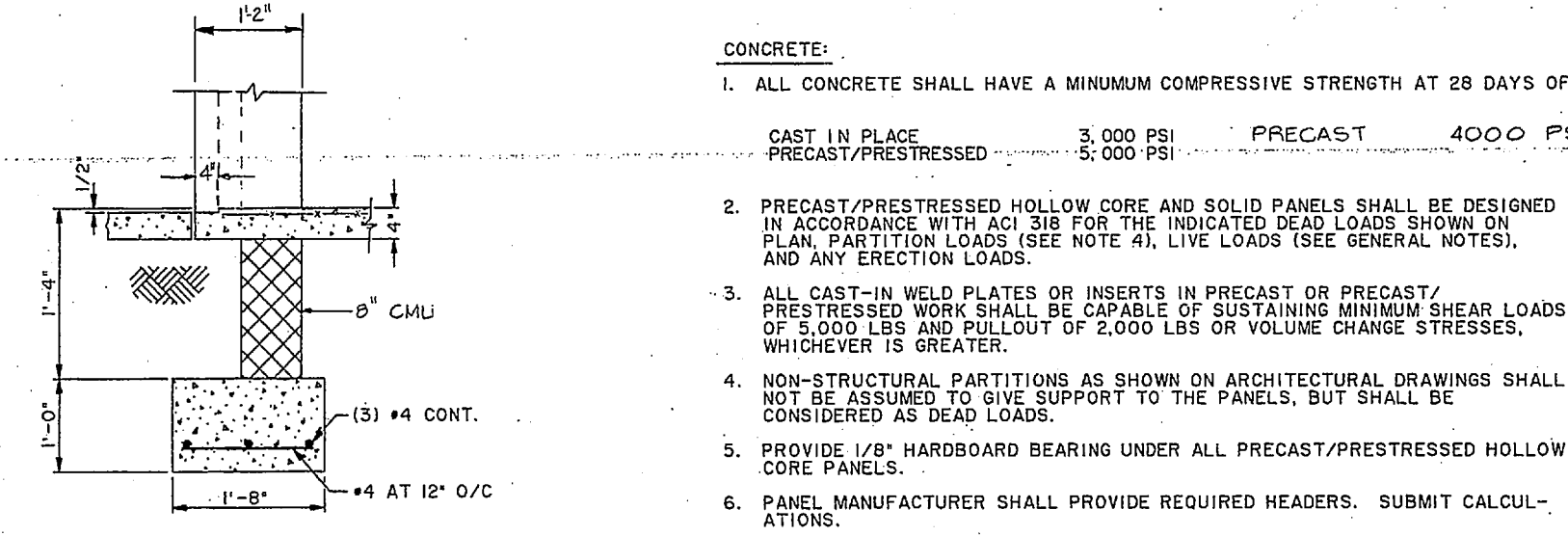
SECTION 4
SCALE: 1 1/2" = 1'-0"



SECTION 5
SCALE: 1" = 1'-0"



SECTION 6
SCALE: 1" = 1'-0"



SECTION 7
SCALE: 1" = 1'-0"

REVISIONS		
NO.	DESCRIPTION	DATE

- REINFORCING STEEL:**
1. DETAILING, FABRICATION, AND ERECTION OF REINFORCING BARS (UNLESS OTHERWISE NOTED) MUST FOLLOW THE A. C. I. MANUAL OF STANDARD PRACTICE FOR DETAILING REINFORCED CONCRETE STRUCTURES, ACI 315-80.
 2. ALL REINFORCING BARS SHALL CONFORM TO THE STANDARD SPECIFICATION FOR DEFORMED SILLT-STEEL BARS FOR CONCRETE REINFORCEMENT, ASTM DESIGNATION ON AGIS, GRADE 60.
 3. LAP SPLICES IN CONCRETE SHALL BE 36 ϕ FOR GRADE 60 UNLESS OTHERWISE SHOWN.
 4. REINFORCING STEEL SHALL HAVE A MINIMUM CONCRETE COVER AS TABULATED IN ACI 318-83.
 5. WHERE CONTINUOUS BARS ARE CALLED OUT, PROVIDE CONTACT SPLICES (AS REQUIRED) IN ACCORDANCE WITH NOTE 3.
 6. ALL DOWELS FROM CON. BEAMS INTO MASONRY WALLS SHALL BE THE SAME SIZE AND SPACING AS THE WALL VERT. REINF. AND LAP WITH THE WALL REINF. 40 ϕ .
 7. PRESTRESSING STRANDS SHALL CONFORM TO THE ASTM A416 OR A421 WITH A MINIMUM TENSILE STRENGTH OF 250 KSI.
 8. WELDED WIRE FABRIC SHALL CONFORM TO ASTM A185.

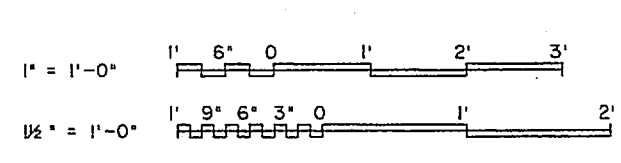
- MASONRY:**
1. ALL CMU MORTAR & GROUT SHALL HAVE A MINIMUM COMPRESSIVE STRENGTH OF 2,500 PSI.
 2. LAP ALL REINFORCING BARS IN MASONRY 40 DIAMETERS AT SPLICES. HORIZONTAL MASONRY REINFORCING SHALL BE CONTINUOUS AROUND ALL CORNERS AND INTERSECTIONS.
 3. ALL CONCRETE HOLLOW BLOCK UNITS SHALL BE LAID IN RUNNING BOND PATTERN, UNLESS OTHERWISE NOTED.
 4. ALL HORIZONTAL REINFORCING BARS SHALL BE IN BOND BEAM BLOCKS.
 5. ALL BEAMS AND LINTELS SHALL BEAR A MINIMUM OF 8" ON MASONRY, UNLESS BRG. PL. PROVIDED. FILL CELLS OF CMU FOR 2-BLOCK COURSES DEEP BY 3 BEAM WIDTHS WIDE BELOW BEAM OR LINTEL BEARING.
 6. FILL ALL CELLS CONTAINING REINFORCING SOLID WITH GROUT.
 7. ALL VERTICAL WALL REINFORCING SHALL BE CONTINUOUS FOR FULL HEIGHT OF WALL AND DOWELED INTO SPREAD FG. BELOW AND ROOF ABOVE.
 8. SEE ARCHITECTURAL DRAWINGS FOR THE LOCATIONS OF ALL WALLS.
 9. LINTEL ABOVE 1ST FLOOR MECH ROOM SHALL BE 16" DEEP X 10" WIDE CMU W/ 2 #5'S (BOT). ALL OTHER LINTELS SHALL BE A MIN. 8" DEEP X 10" WIDE CMU W/ 2 #4'S (BOT).

- STRUCTURAL STEEL:**
1. ALL MISCELLANEOUS STEEL WORK SHALL BE PERFORMED ACCORDING TO AISC SPECIFICATIONS FOR THE DESIGN, FABRICATION, AND ERECTION OF STRUCTURAL STEEL FOR BUILDINGS, LATEST EDITION.
 2. ALL STRUCTURAL STEEL PLATES, ANGLES, ANCHORS, ETC. SHALL CONFORM TO THE STANDARD SPECIFICATIONS FOR STRUCTURAL STEEL FOR BRIDGES AND BUILDINGS, SERIAL DESIGNATION ASTM A-36.
 3. ALL WELDING SHALL BE IN ACCORDANCE WITH THE LATEST EDITION OF THE A. W. S. SPECIFICATIONS 1E-701.
 4. ALL EXTERIOR MISCELLANEOUS STEEL WHICH WILL BE PERMANENTLY EXPOSED TO THE ATMOSPHERE SHALL BE HOT-DIPPED GALVANIZED AFTER FABRICATION.
 5. ALL WELDING DONE AFTER GALVANIZING SHALL BE COATED WITH GALVANIZING REPAIR PAINT.

- GENERAL:**
1. DIMENSIONS, LOCATION AND SIZES OF OPENINGS IN FLOORS AND WALLS SHALL BE VERIFIED WITH ARCHITECTURAL, MECHANICAL, PLUMBING, AND ELECTRICAL DRAWINGS.
 2. NO PIPES OR DUCTS SHALL BE PLACED IN SLABS OR WALLS UNLESS SPECIFICALLY DETAILED FOR THAT PURPOSE.
 3. DESIGN LIVE LOADS:
- | | | | |
|----------------------|---------|-------------------|--------|
| ROOF: | 20 PSF | MECHANICAL CHASE: | 40 PSF |
| FLOOR: | 40 PSF | | |
| SLEEPING UNITS | 80 PSF | | |
| LOUNGE AREAS | 60 PSF | | |
| STAIRS & WALKWAYS | 100 PSF | | |
| CORRIDORS | 100 PSF | | |
| MECHANICAL | 100 PSF | | |
| ENTRIES & LOBBIES | 100 PSF | | |
| LAUNDRY & VENDING | 100 PSF | | |
| ELECTRICAL & CLOSETS | 100 PSF | | |
| LATHES | 75 PSF | | |
| LINEN & STORAGE | 125 PSF | | |
| OFFICES | 50 PSF | | |
| BALCONY | 100 PSF | | |
- EARTHQUAKE
SEISMIC ZONE I
<1.5
- WIND VELOCITY: 115 MPH
- THE LATERAL LOAD DESIGN WAS CONTROLLED BY WIND

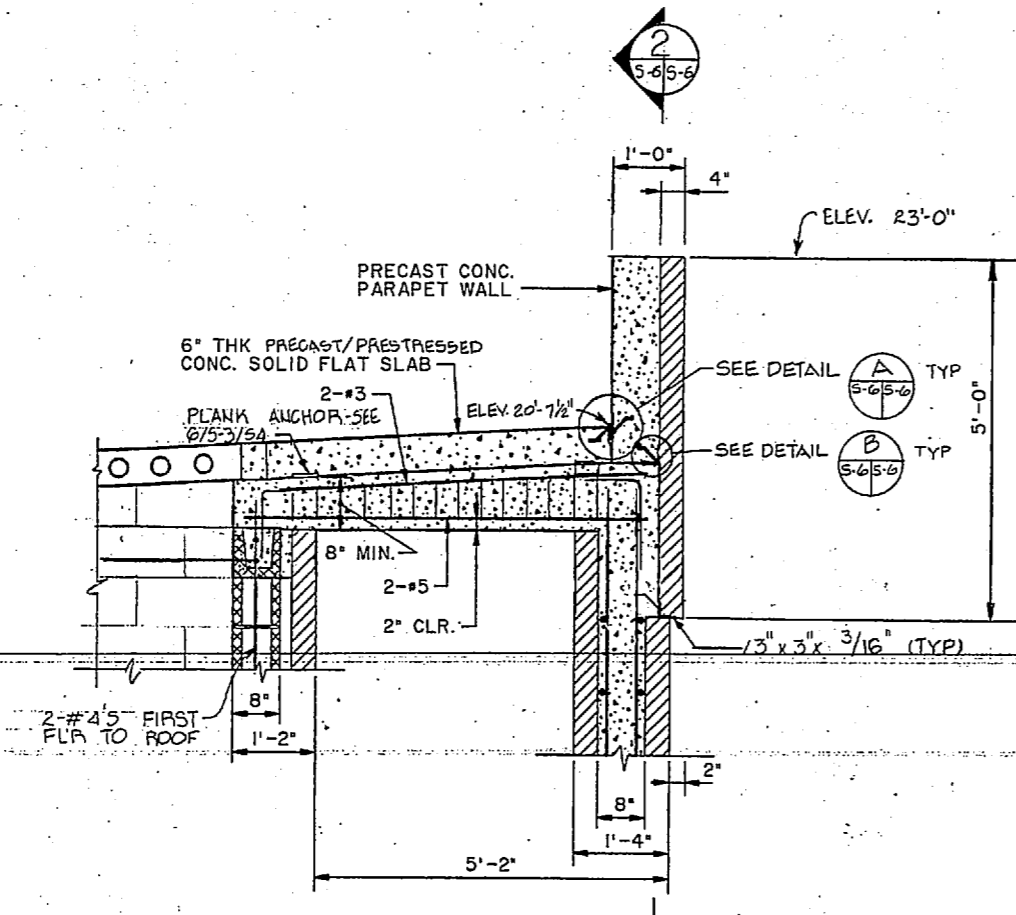
- CONCRETE:**
1. ALL CONCRETE SHALL HAVE A MINIMUM COMPRESSIVE STRENGTH AT 28 DAYS OF
- | | | | |
|---------------------|-----------|---------|-----------|
| CAST IN PLACE | 3,000 PSI | PRECAST | 4,000 PSI |
| PRECAST/PRESTRESSED | 5,000 PSI | | |
2. PRECAST/PRESTRESSED HOLLOW CORE AND SOLID PANELS SHALL BE DESIGNED IN ACCORDANCE WITH ACI 318 FOR THE INDICATED DEAD LOADS SHOWN ON PLAN. PARTITION LOADS (SEE NOTE 4), LIVE LOADS (SEE GENERAL NOTES), AND ANY ERECTION LOADS.
 3. ALL CAST-IN WELD PLATES OR INSERTS IN PRECAST OR PRECAST/PRESTRESSED WORK SHALL BE CAPABLE OF SUSTAINING MINIMUM SHEAR LOADS OF 5,000 LBS AND PULLOUT OF 2,000 LBS OR VOLUME CHANGE STRESSES, WHICHEVER IS GREATER.
 4. NON-STRUCTURAL PARTITIONS AS SHOWN ON ARCHITECTURAL DRAWINGS SHALL NOT BE ASSUMED TO GIVE SUPPORT TO THE PANELS, BUT SHALL BE CONSIDERED AS DEAD LOADS.
 5. PROVIDE 1/8" HARDBOARD BEARING UNDER ALL PRECAST/PRESTRESSED HOLLOW CORE PANELS.
 6. PANEL MANUFACTURER SHALL PROVIDE REQUIRED HEADERS. SUBMIT CALCULATIONS.
 7. CONCRETE ANCHORS SHALL CONFORM TO FEDERAL SPEC. FF-S-525, AMEND. 3, GROUP 1, TYPE 4, CLASS 1.
 8. PRECAST PARAPET BEAMS SHALL BE DESIGNED FOR LIFTING BY THE PRECASTER. PROVIDE ANCHORS, WELDING INSERTS, OR CONNECTING PLATES AS REQ'D.

GRAPHIC SCALES

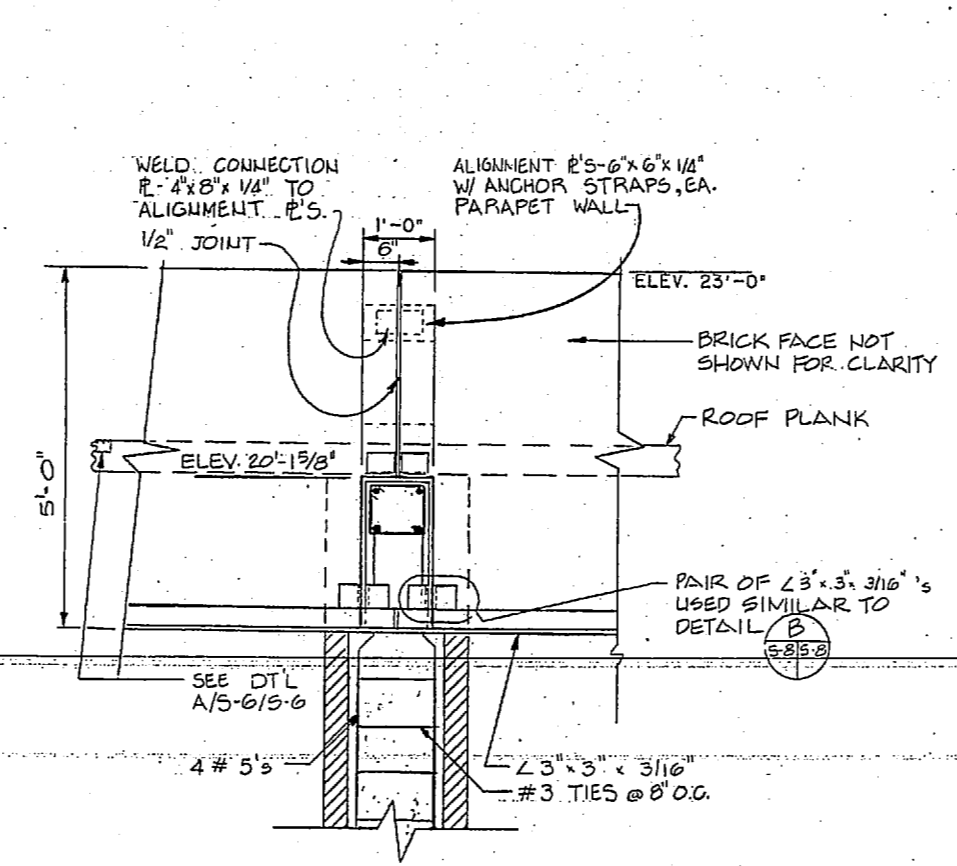


RECORD DRAWING LETTER DATED		S-5	
JUL 31 1981		ATLANTIC DIVISION	
NAVAL HOSPITAL		CAMP LEJEUNE, N.C.	
BACHELOR ENLISTED QUARTERS		FOUNDATIONS DETAILS	
NO. 80091	DATE 4/27/76	NO. 80091	DATE 4/27/76
F 80091		F 80091	

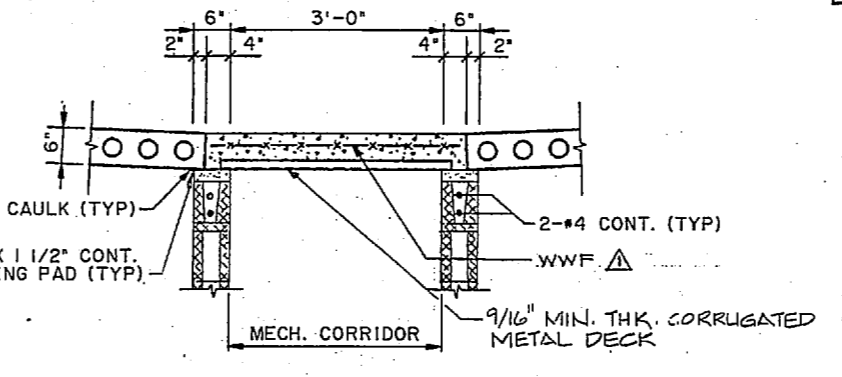
REVISIONS			
NO.	DESCRIPTION	DATE	APPROVED
1	REVISED AS-BUILT	12-1-91	RSC
2	"	12-1-91	RSC



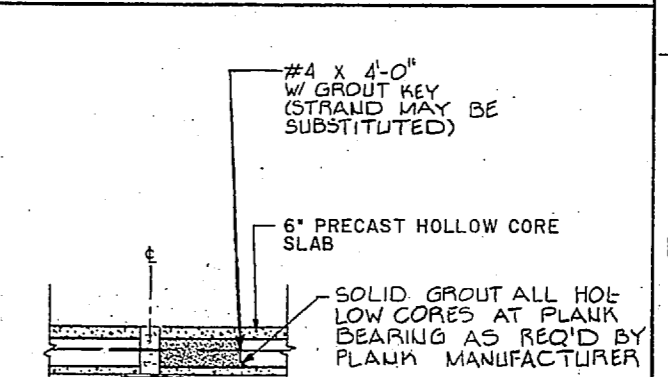
SECTION 1
SCALE: 3/4" = 1'-0"



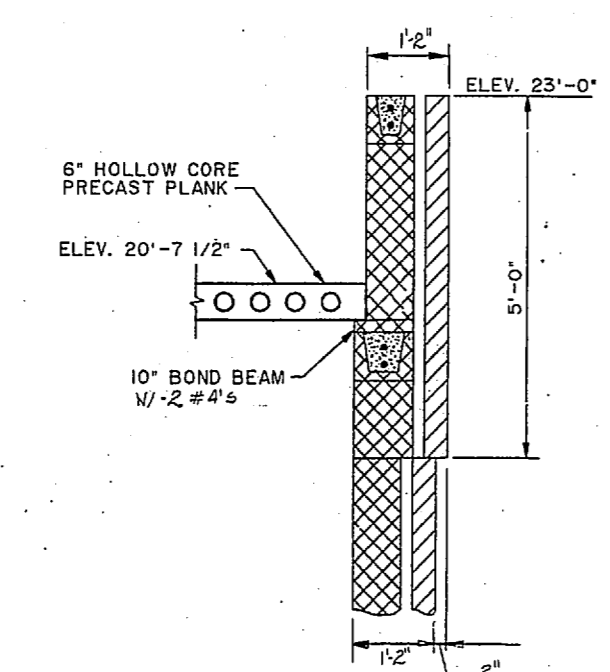
SECTION 2
SCALE: 3/4" = 1'-0"



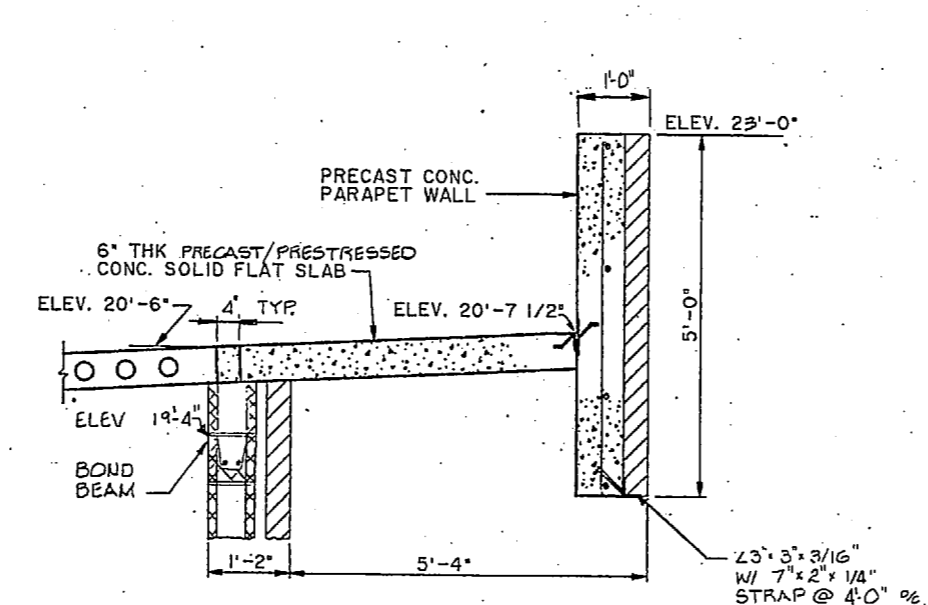
SECTION 3
SCALE: 3/4" = 1'-0"



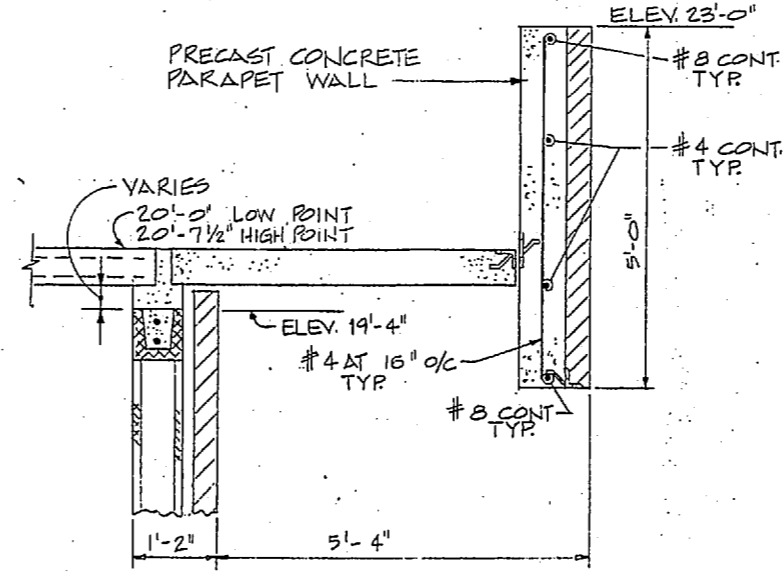
SECTION 4
SCALE: 1" = 1'-0"



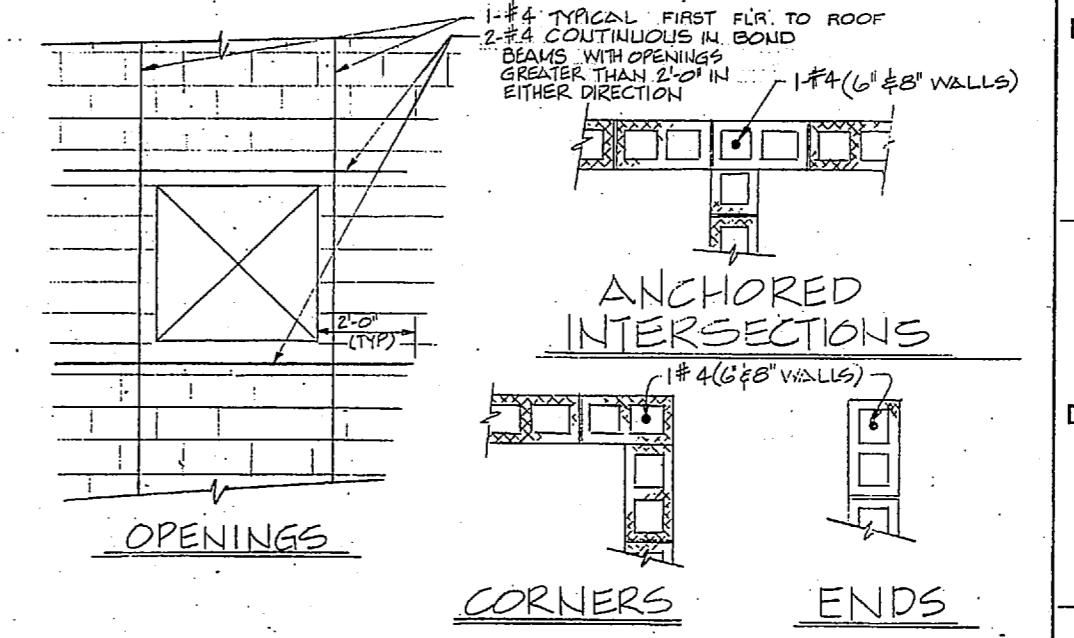
SECTION 5
SCALE: 3/4" = 1'-0"



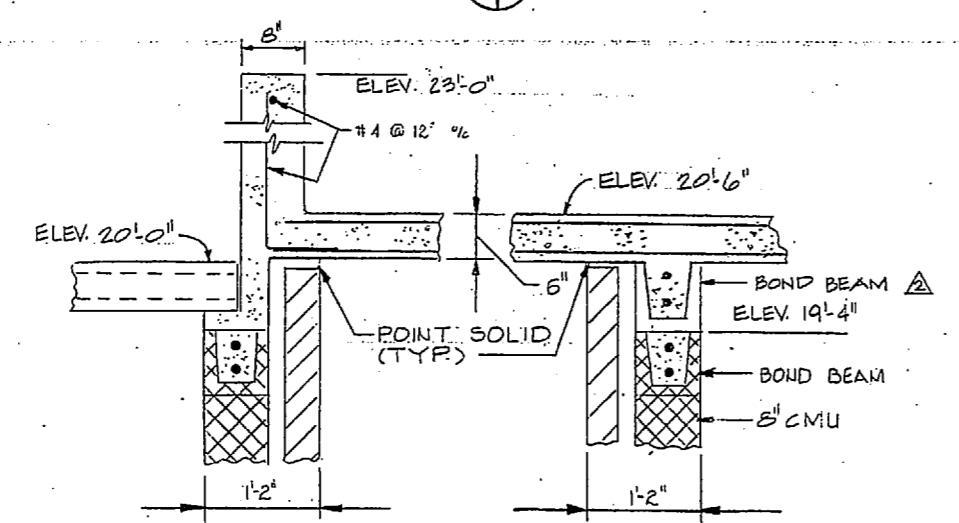
SECTION 6
SCALE: 3/4" = 1'-0"



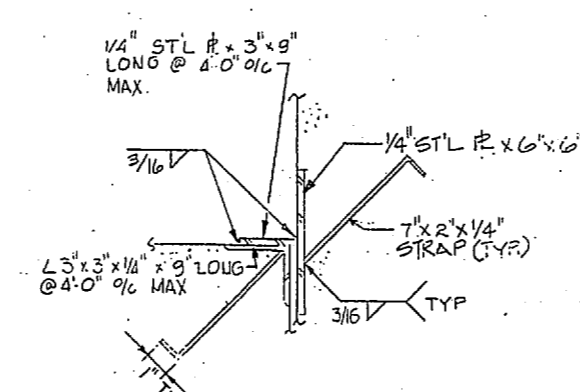
SECTION 7
SCALE: 3/4" = 1'-0"



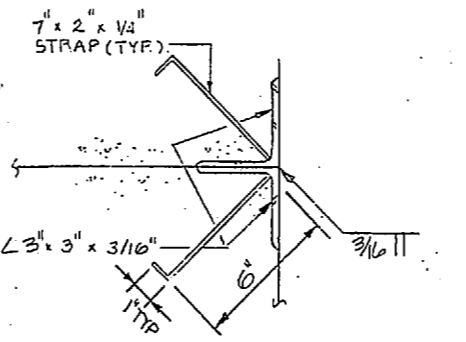
- NOTE:**
- ALL REINFORCED BLOCK CELLS SHALL BE GROUTED SOLID.
 - CONTINUOUS BOND BEAM AND VERTICAL WALL REINFORCING SHOWN ELSEWHERE MAY SERVE AS REINFORCING AT OPENINGS, INTERSECTIONS AND CORNERS IF THE MINIMUM REQUIREMENTS SHOWN HERE ARE SATISFIED.
 - ALL 8" CMU WALLS SHALL HAVE 8" X 8" CONTINUOUS BOND BEAM W/ 2-#4'S BOT (U.O.N.)
 - PROVIDE HORIZONTAL JOINT REINFORCEMENT IN ALL WALLS.
 - PROVIDE #4 VERTICAL BAR IN A FULLY GROUTED CELL BELOW STEEL LINTELS SHOWN IN SECTIONS: (4), (4) & (9)



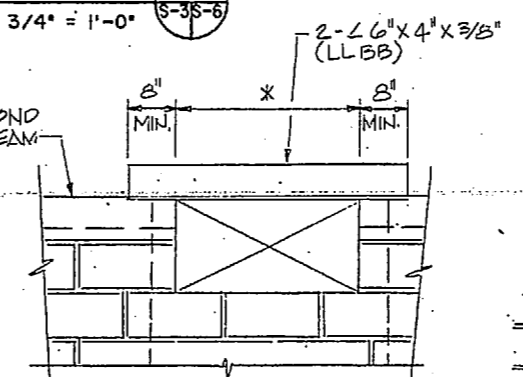
SECTION 8
SCALE: 1" = 1'-0"



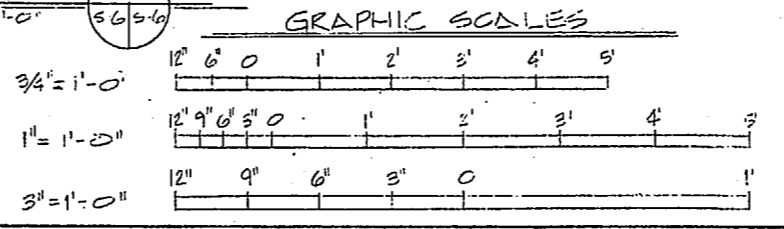
DETAIL A
SCALE: 3/4" = 1'-0"



DETAIL B
SCALE: 3/4" = 1'-0"



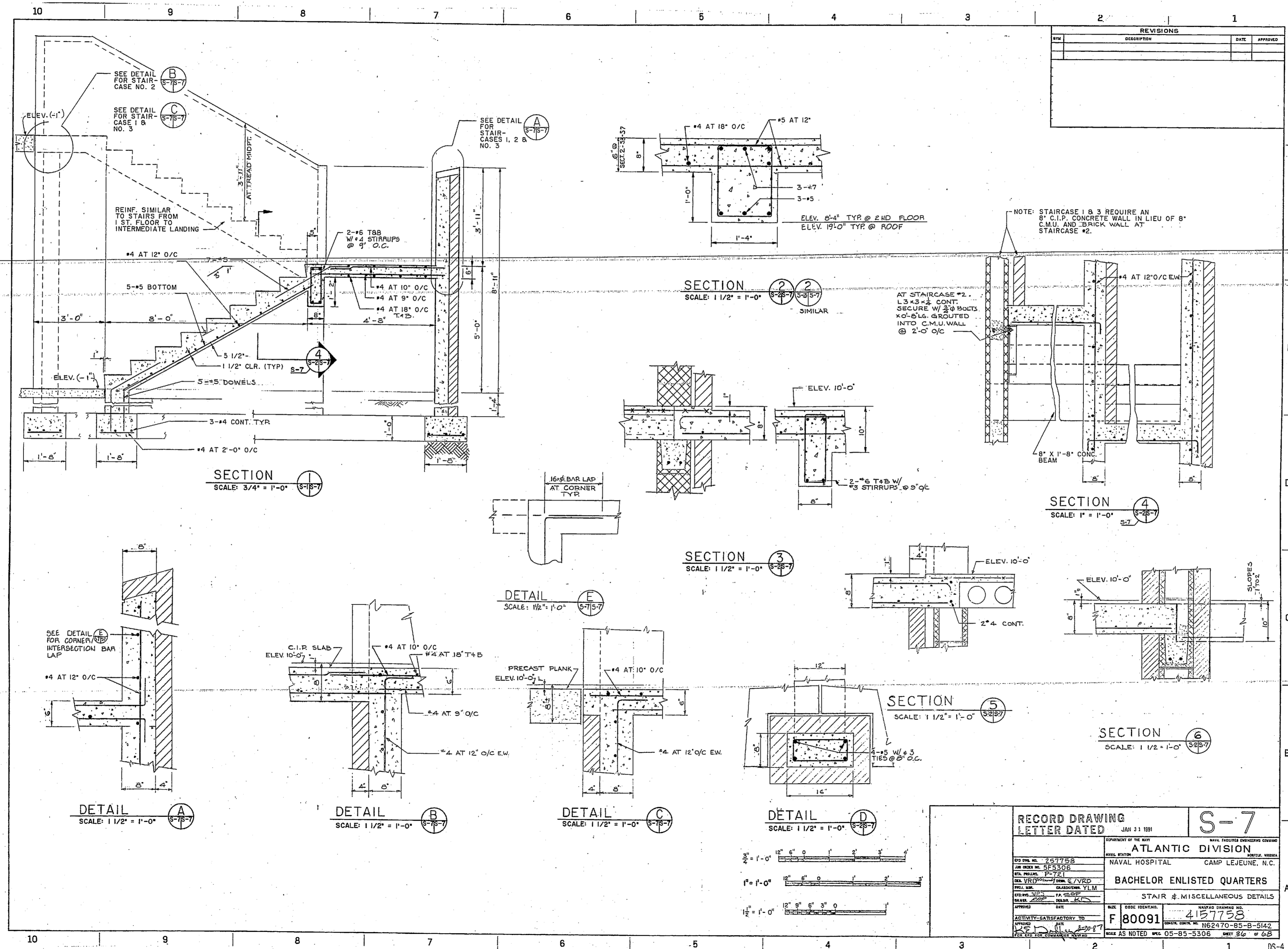
SECTION 9
SCALE: 3/4" = 1'-0"



TYPICAL MINIMUM MASONRY WALL REINFORCEMENT AT OPENINGS, INTERSECTIONS, CORNERS & ENDS
NO SCALE

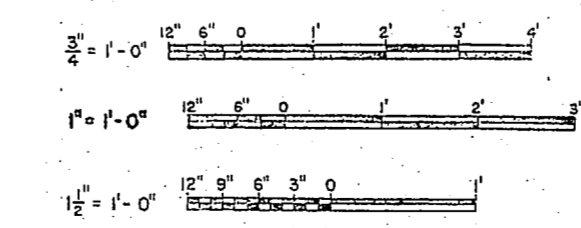
RECORD DRAWING LETTER DATED		S-6	
DEPARTMENT OF THE NAVY NAVAL FACILITIES ENGINEERING DIVISION		NAVAL HOSPITAL CAMP LEJEUNE, N.C.	
PROJECT NO. 257757 JOB ORDER NO. 515306		BACHELOR ENLISTED QUARTERS	
DESIGNER: J. J. J. / J. J. J.		ROOF DETAILS	
DRAWN BY: J. J. J.		DATE: 4-15-75	
CHECKED BY: J. J. J.		PROJECT NO. N62470-85-B-5142	
APPROVED: J. J. J.		DRAWN AS NOTED	



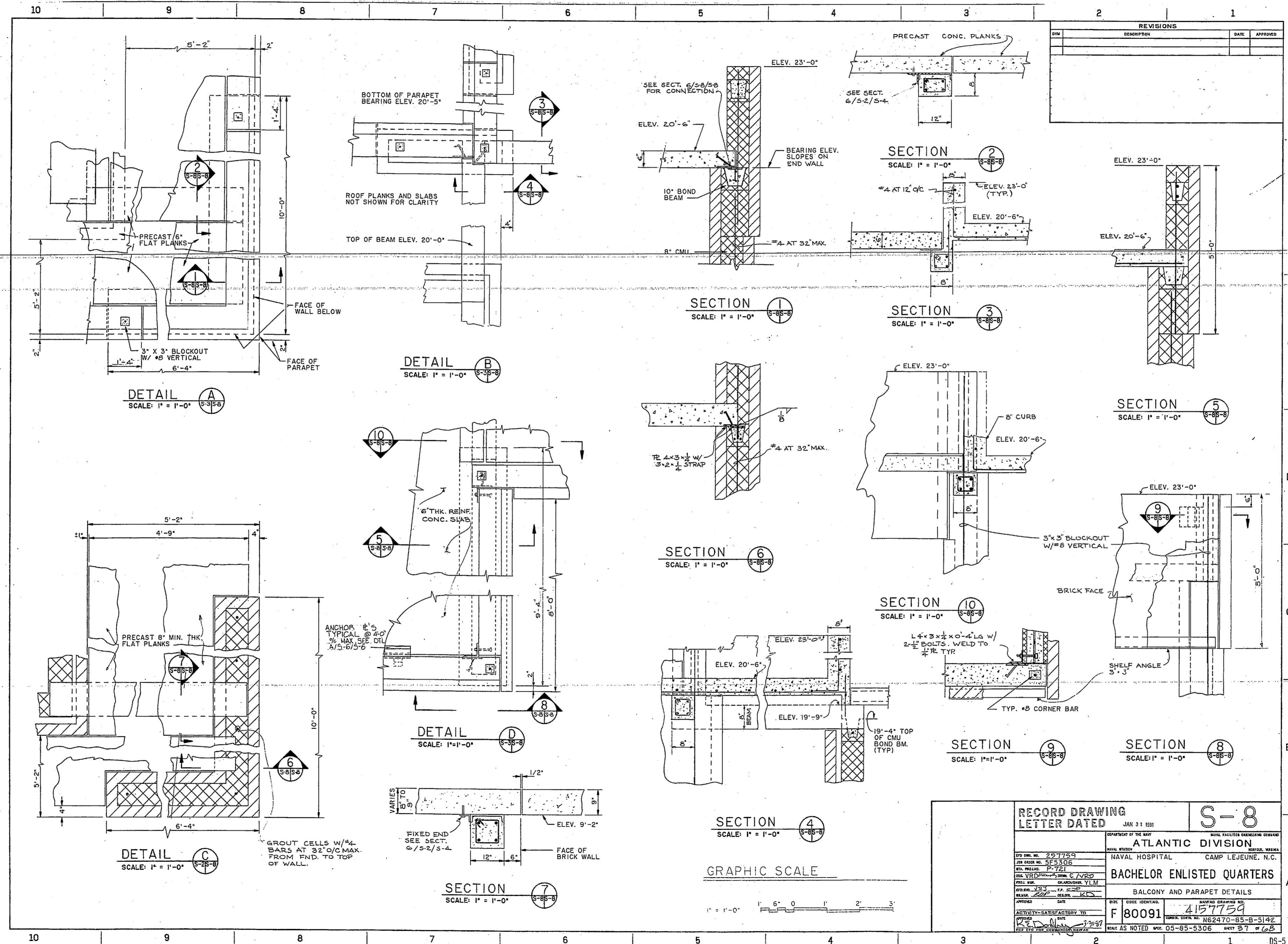


REVISIONS			
NO.	DESCRIPTION	DATE	APPROVED

RECORD DRAWING LETTER DATED		JAN 31 1981		S-7	
DEPARTMENT OF THE NAVY NAVAL ENGINEERS COMMAND					
ATLANTIC DIVISION					
NAVAL HOSPITAL CAMP LEJEUNE, N.C.					
BACHELOR ENLISTED QUARTERS					
STAIR # MISCELLANEOUS DETAILS					
APPROVED	DATE	SCALE	CODE IDENTICAL	NAVPAC DRAWING NO.	DATE
F 80091	4/27/88	AS NOTED	05-85-3306	162470-85-B-5142	30 68

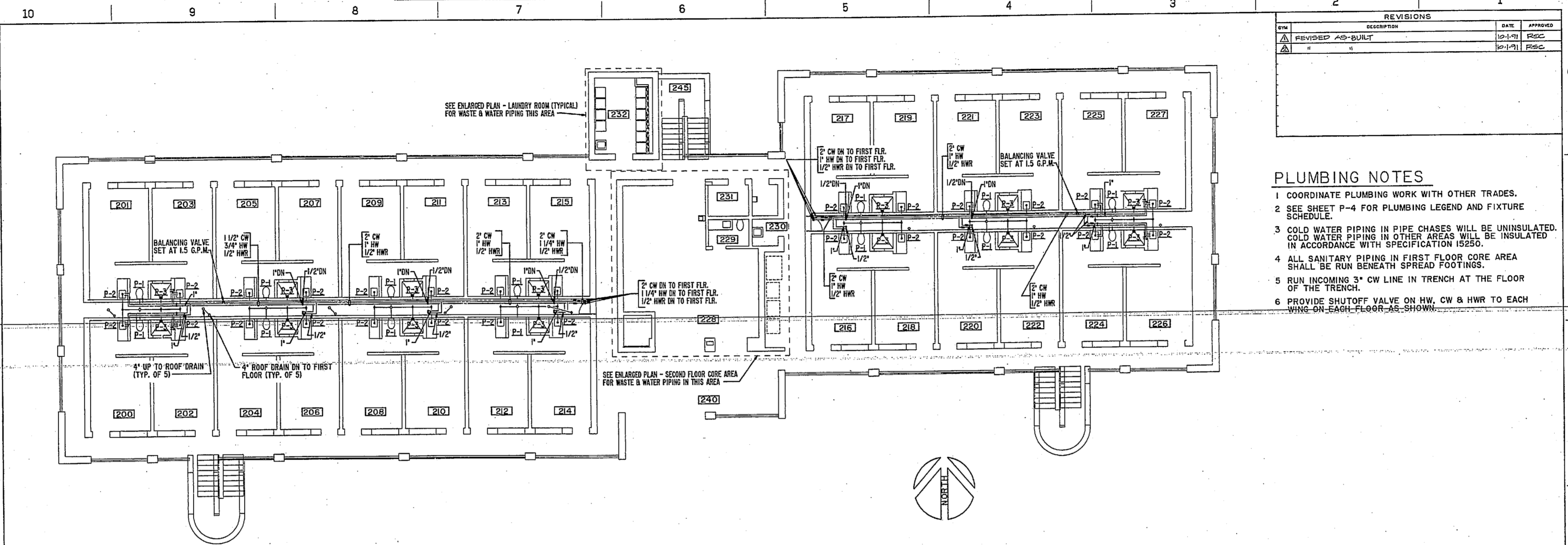






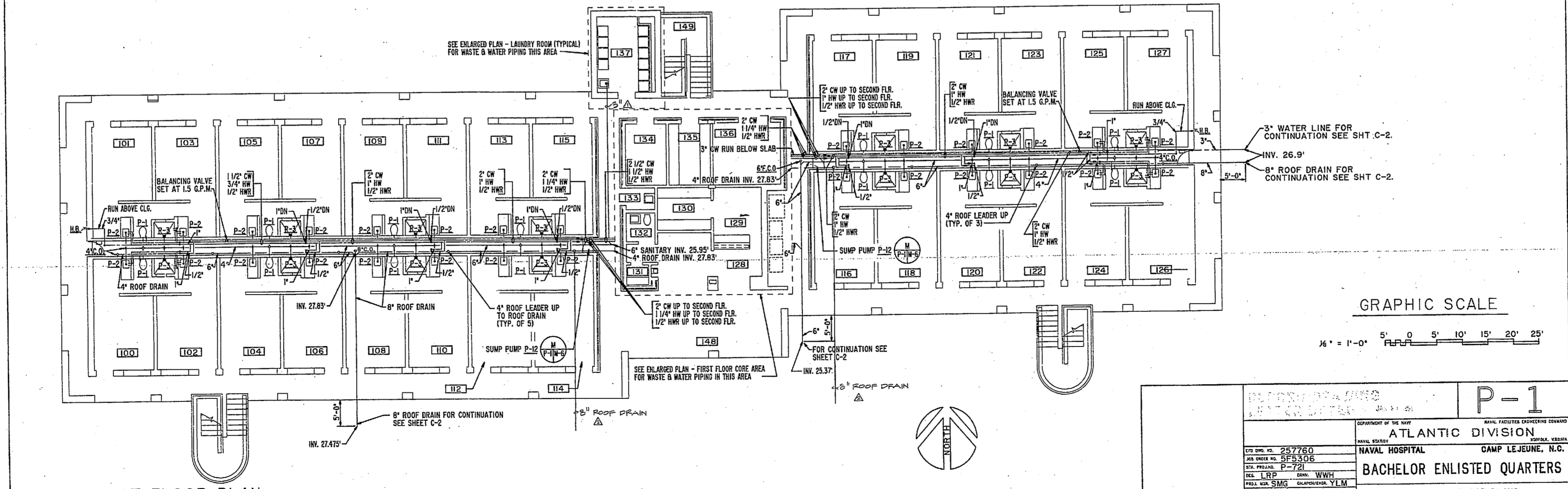
REVISIONS			
NO.	DESCRIPTION	DATE	APPROVED

RECORD DRAWING LETTER DATED JAN 21 1951		S-8	
DEPARTMENT OF THE NAVY ATLANTIC DIVISION		NAVAL FACILITIES ENGINEERING DIVISION NAVAL HOSPITAL CAMP LEJEUNE, N.C.	
BACHELOR ENLISTED QUARTERS			
BALCONY AND PARAPET DETAILS			
DESIGNED BY: [Signature] CHECKED BY: [Signature] DRAWN BY: [Signature]	DATE: 1/21/51	BUREAU SYMBOL: F 800991	DRAWING NO: 4157759
ACTIVITY - SATISFACTORY TO: [Signature]		NAVY AS NOTED: 05-85-5306	



SECOND FLOOR PLAN

SCALE: 1/8"=1'-0"

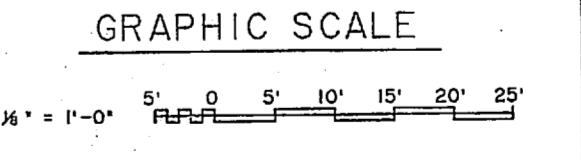


FIRST FLOOR PLAN

SCALE: 1/8"=1'-0"

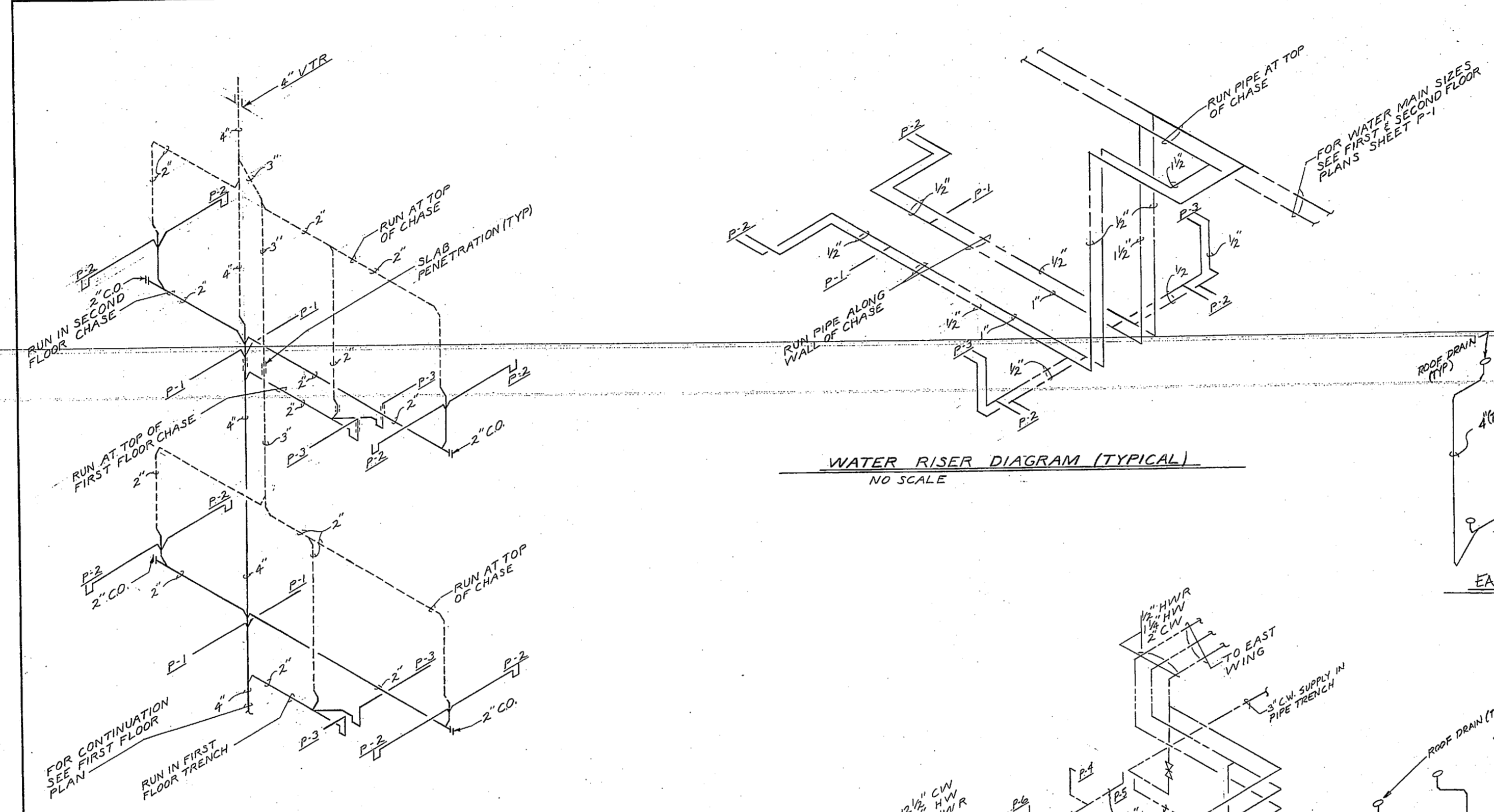
REVISIONS			
NO.	DESCRIPTION	DATE	APPROVED
1	REVISED AS-BUILT	10-1-91	RSJC
2	"	10-1-91	RSJC

- PLUMBING NOTES**
- COORDINATE PLUMBING WORK WITH OTHER TRADES.
 - SEE SHEET P-4 FOR PLUMBING LEGEND AND FIXTURE SCHEDULE.
 - COLD WATER PIPING IN PIPE CHASES WILL BE UNINSULATED. COLD WATER PIPING IN OTHER AREAS WILL BE INSULATED IN ACCORDANCE WITH SPECIFICATION 15250.
 - ALL SANITARY PIPING IN FIRST FLOOR CORE AREA SHALL BE RUN BENEATH SPREAD FOOTINGS.
 - RUN INCOMING 3" CW LINE IN TRENCH AT THE FLOOR OF THE TRENCH.
 - PROVIDE SHUTOFF VALVE ON HW, CW & HWR TO EACH WING ON EACH FLOOR AS SHOWN.

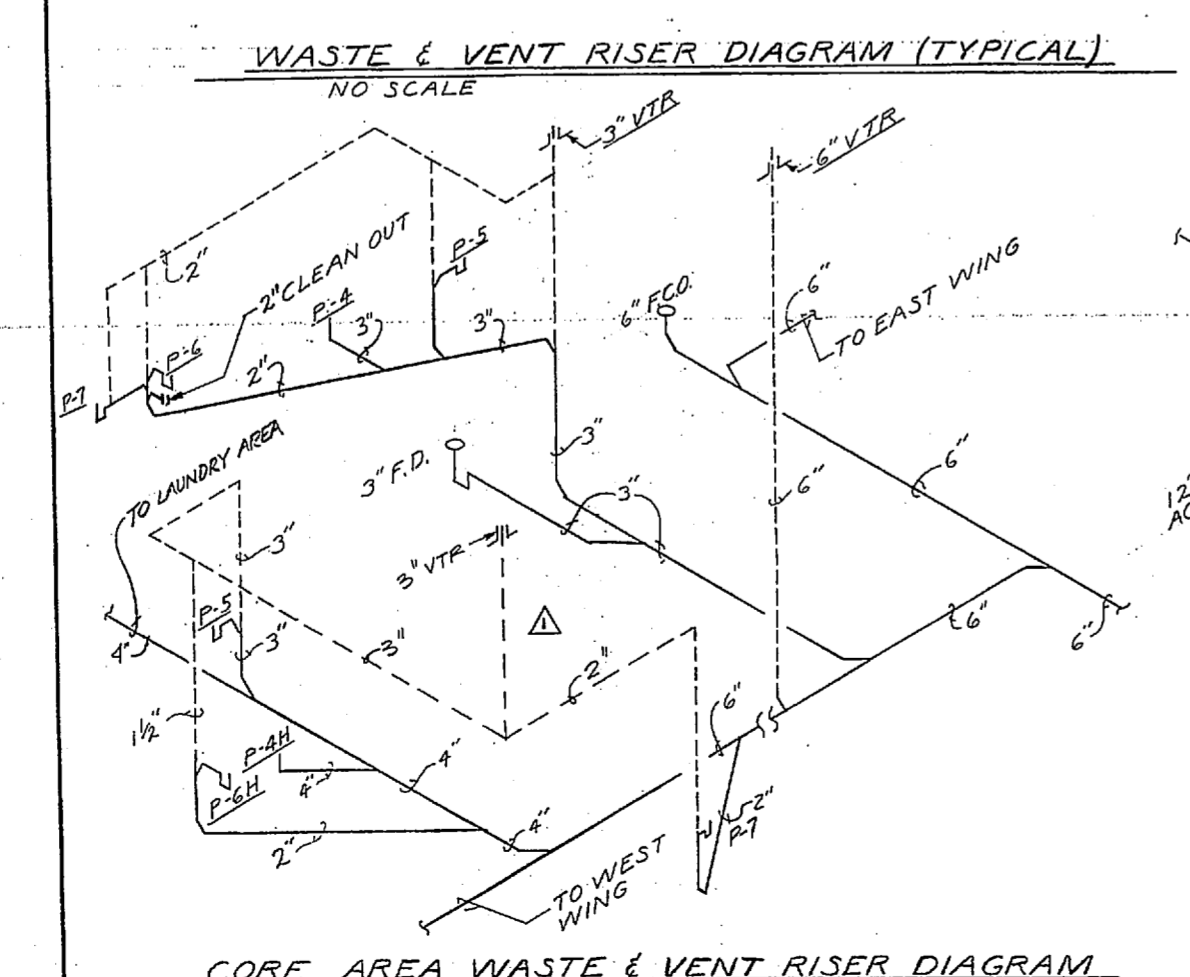


P-1	
DEPARTMENT OF THE NAVY NAVAL HOSPITAL CAMP LEJEUNE, N.C.	
BACHELOR ENLISTED QUARTERS	
PLUMBING FLOOR PLANS	
CDR SHIP NO. 257760 DRAWING NO. 515306 STA. PROJECT. P-721 DES. I.R.P. DESK. WWH PERS. DESK. YLM CLASS. 15250 DATE 2-20-91	SIZE CODE IDENT. NO. 80091 4157760 CONTRACT NO. N62470-85-B-5142 SHEET 38 OF 68

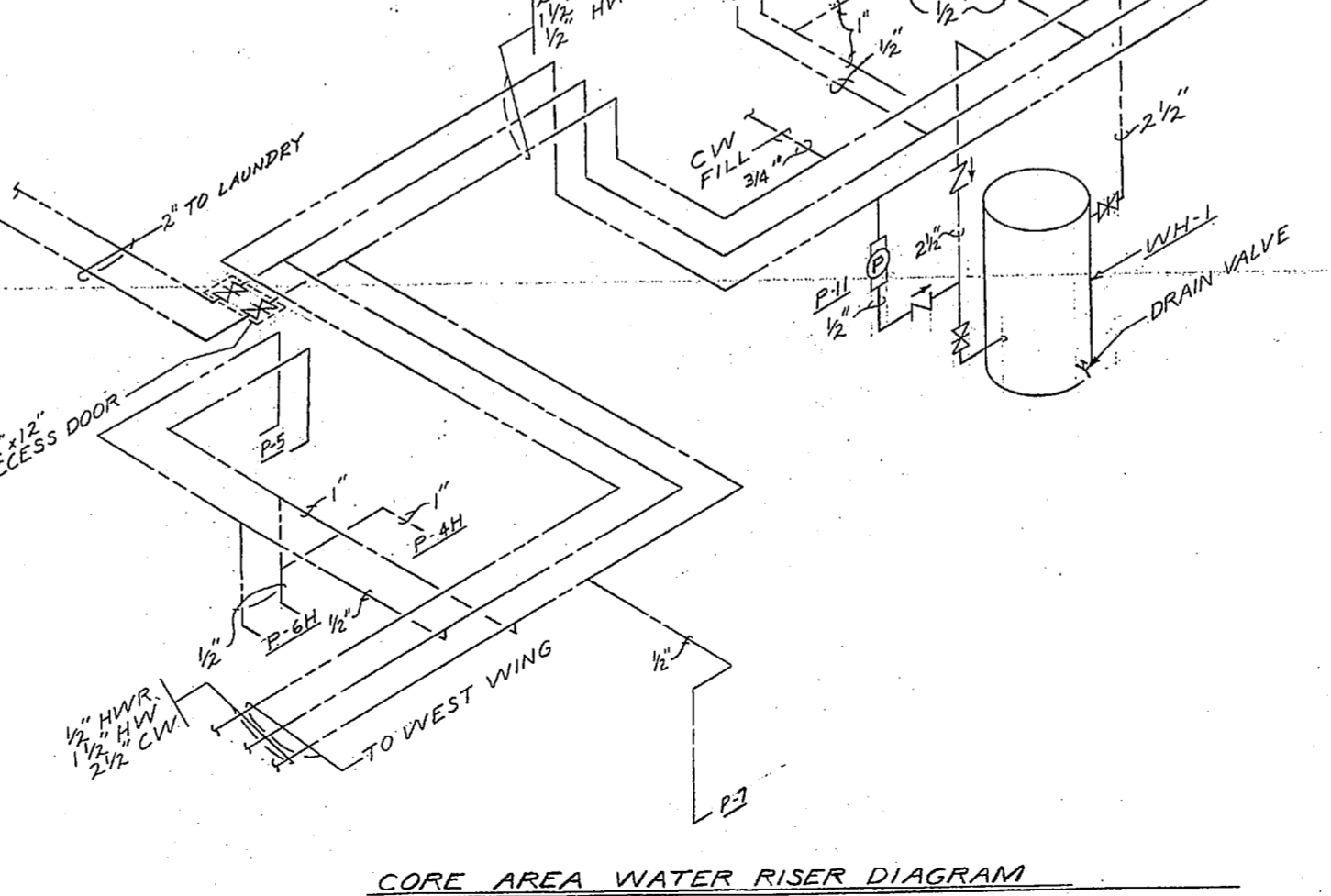
REVISIONS			
NO.	DESCRIPTION	DATE	BY
1	REVISED AS-BUILT	10-1-91	RSC



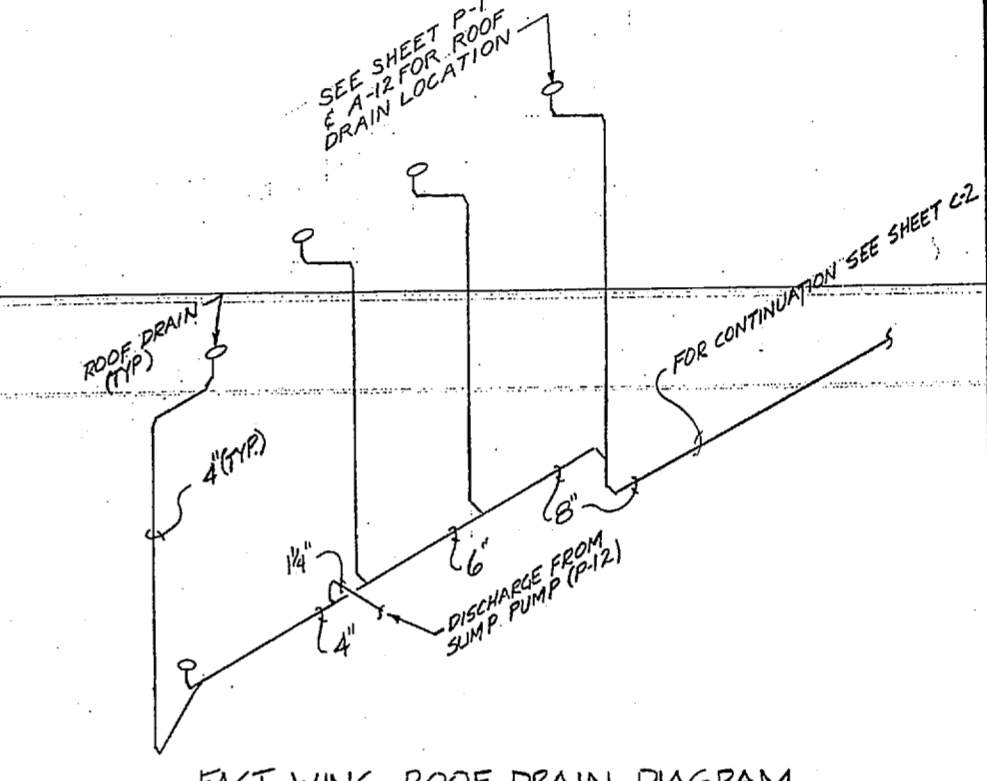
WATER RISER DIAGRAM (TYPICAL)
NO SCALE



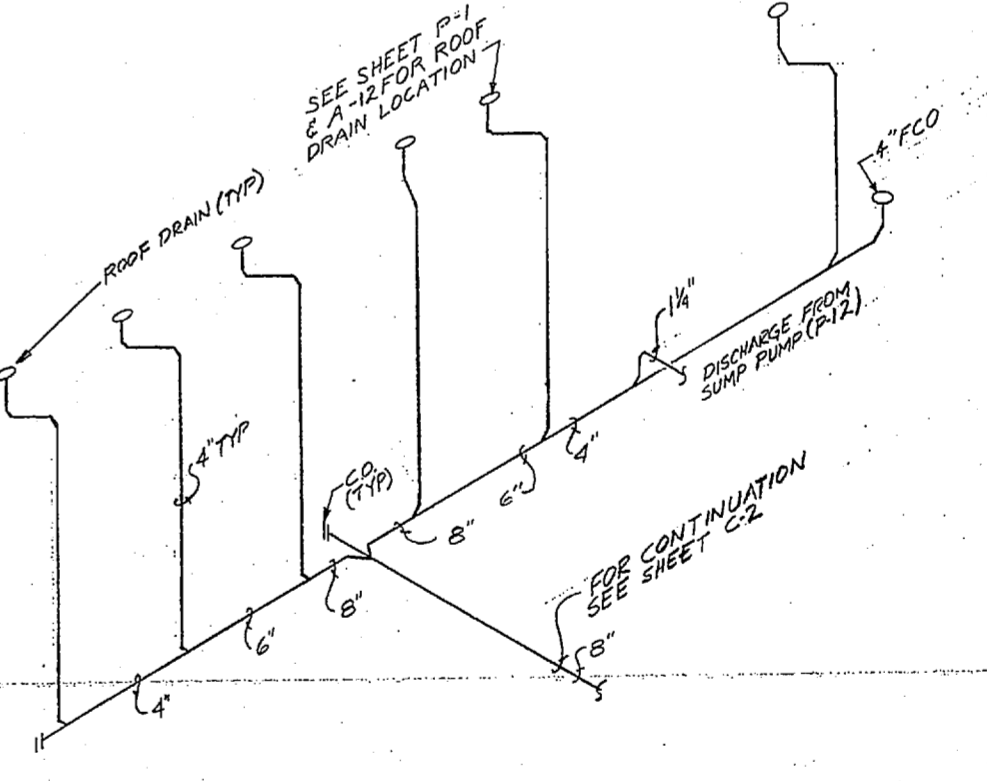
WASTE & VENT RISER DIAGRAM (TYPICAL)
NO SCALE



CORE AREA WATER RISER DIAGRAM
NO SCALE



EAST WING ROOF DRAIN DIAGRAM
NO SCALE

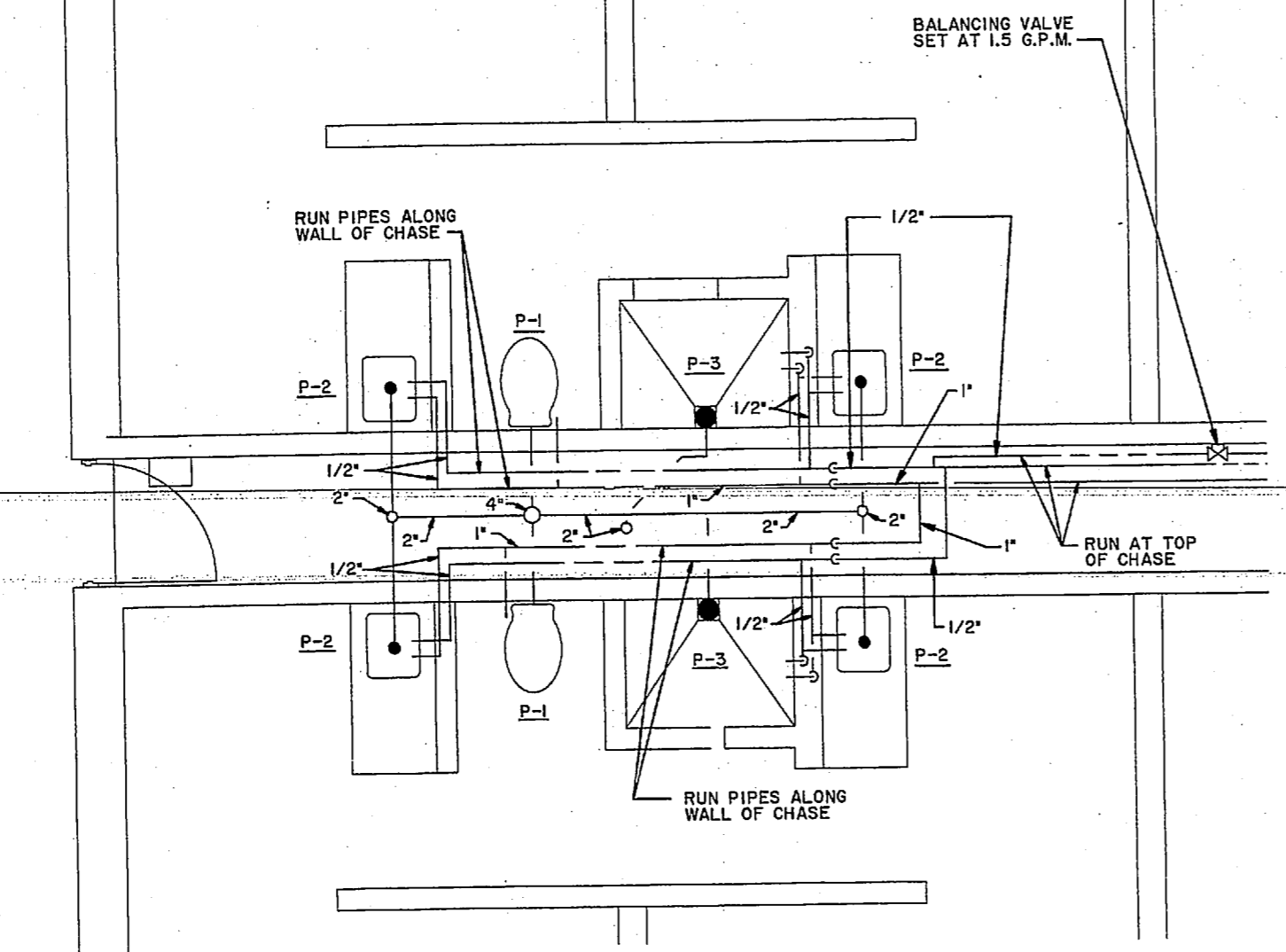


WEST WING ROOF DRAIN DIAGRAM
NO SCALE

RECORD DRAWING		P - 2	
LETTER DATED JUN 01 1951			
DEPARTMENT OF THE NAVY NAVAL FACILITIES ENGINEERING COMMAND			
ATLANTIC DIVISION NORFOLK, VA			
NAVAL STATION		NAVAL HOSPITAL CAMP LEJEUNE, N.C.	
BACHELOR ENLISTED QUARTERS			
PLUMBING RISER DIAGRAMS			
APPROVED	DATE	SIZE	CODE/REV. NO.
F	80091	4 1/2" x 7 1/8"	415-7761
ACTIVITY - SATISFACTORY TO		CONTR. CONTR. NO. 2472-85-B-5142	
DATE 3-30-81		SCALE NOTED SPEC. 05-85-5306	
FOR E.P.O. FOR ENLISTED QUARTERS		SHEET 39 of 68	

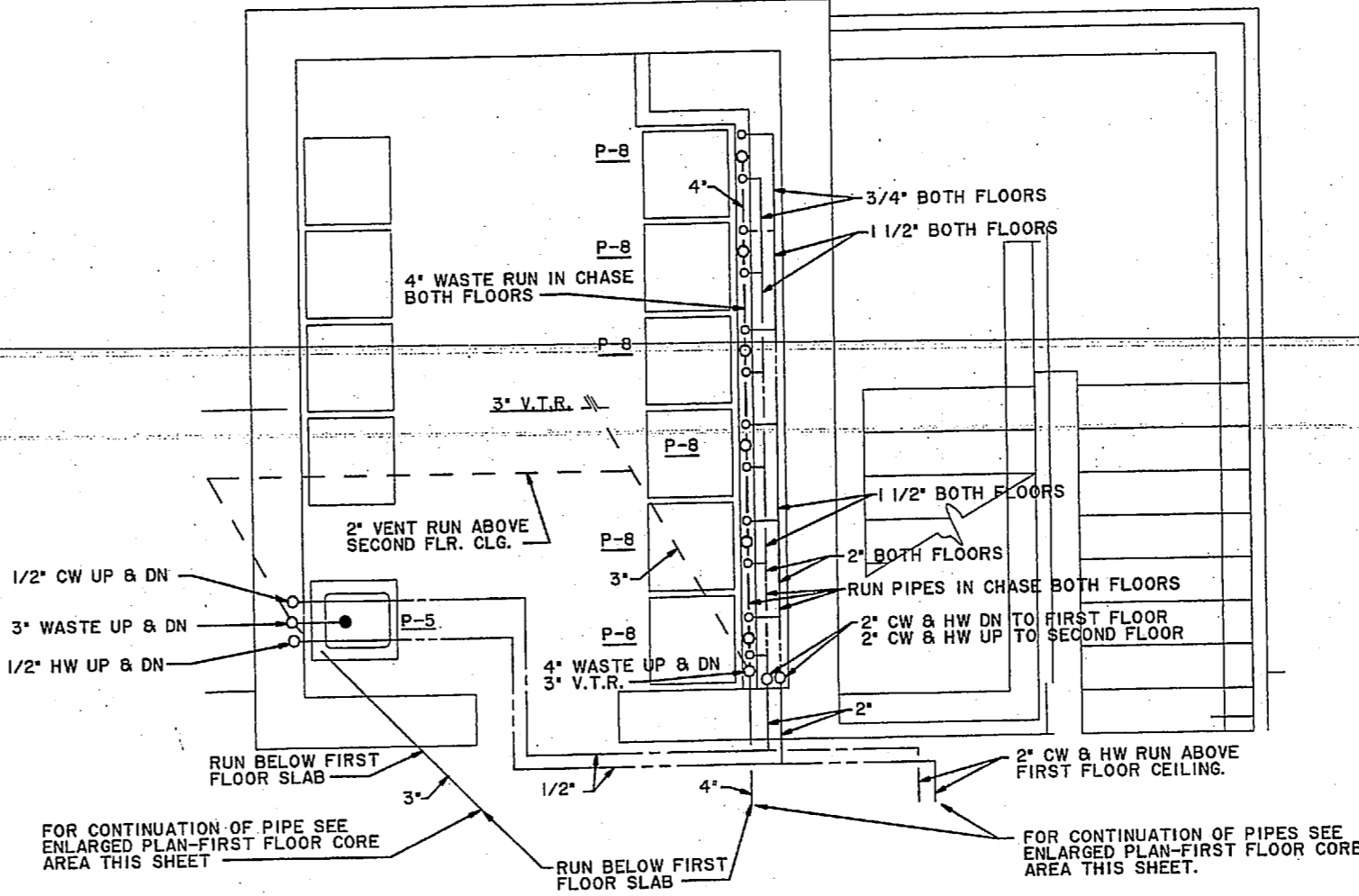
REVISIONS			
NO.	DESCRIPTION	DATE	APPROVED

NOTE: SEE SHEET P-1 FOR PIPE MAIN SIZES.



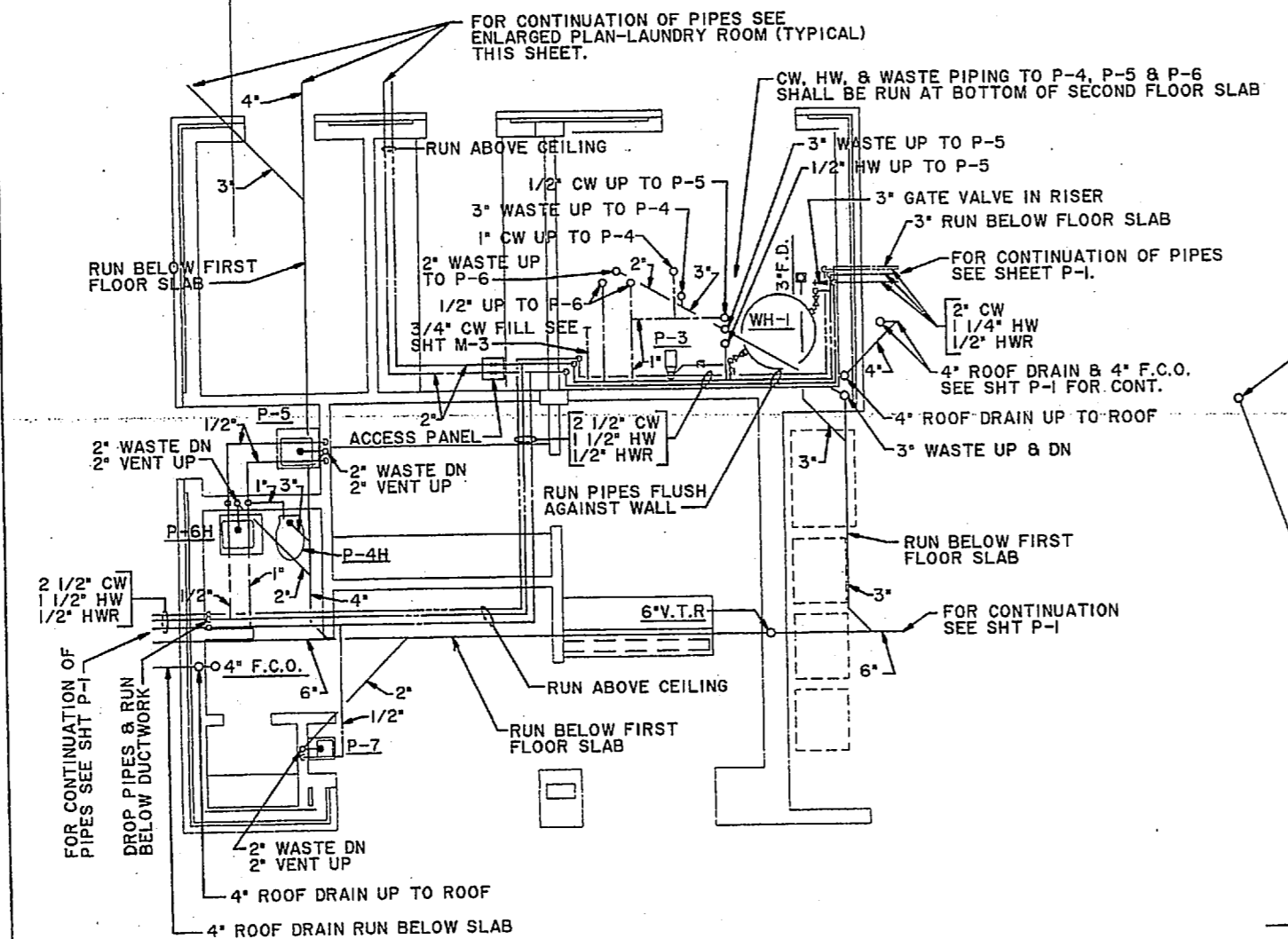
ENLARGED PLAN - BEDROOM TOILETS (TYPICAL)

SCALE: 1/2"=1'-0"



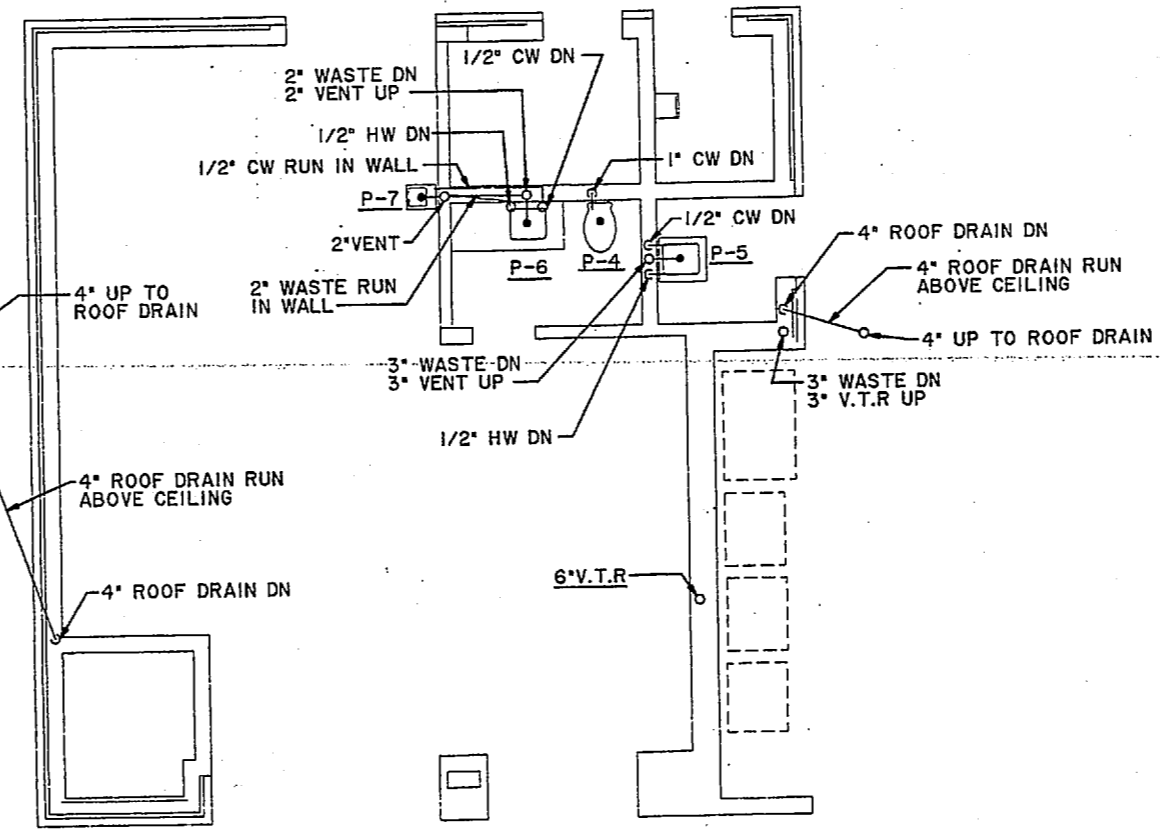
ENLARGED PLAN - LAUNDRY ROOM (TYPICAL)

SCALE: 1/2"=1'-0"



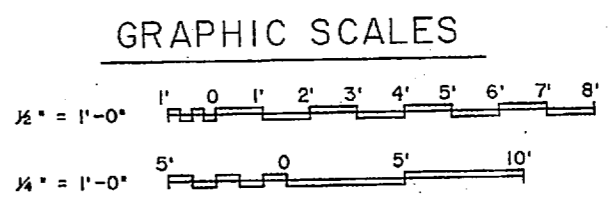
ENLARGED PLAN - FIRST FLOOR CORE AREA

SCALE: 1/4"=1'-0"



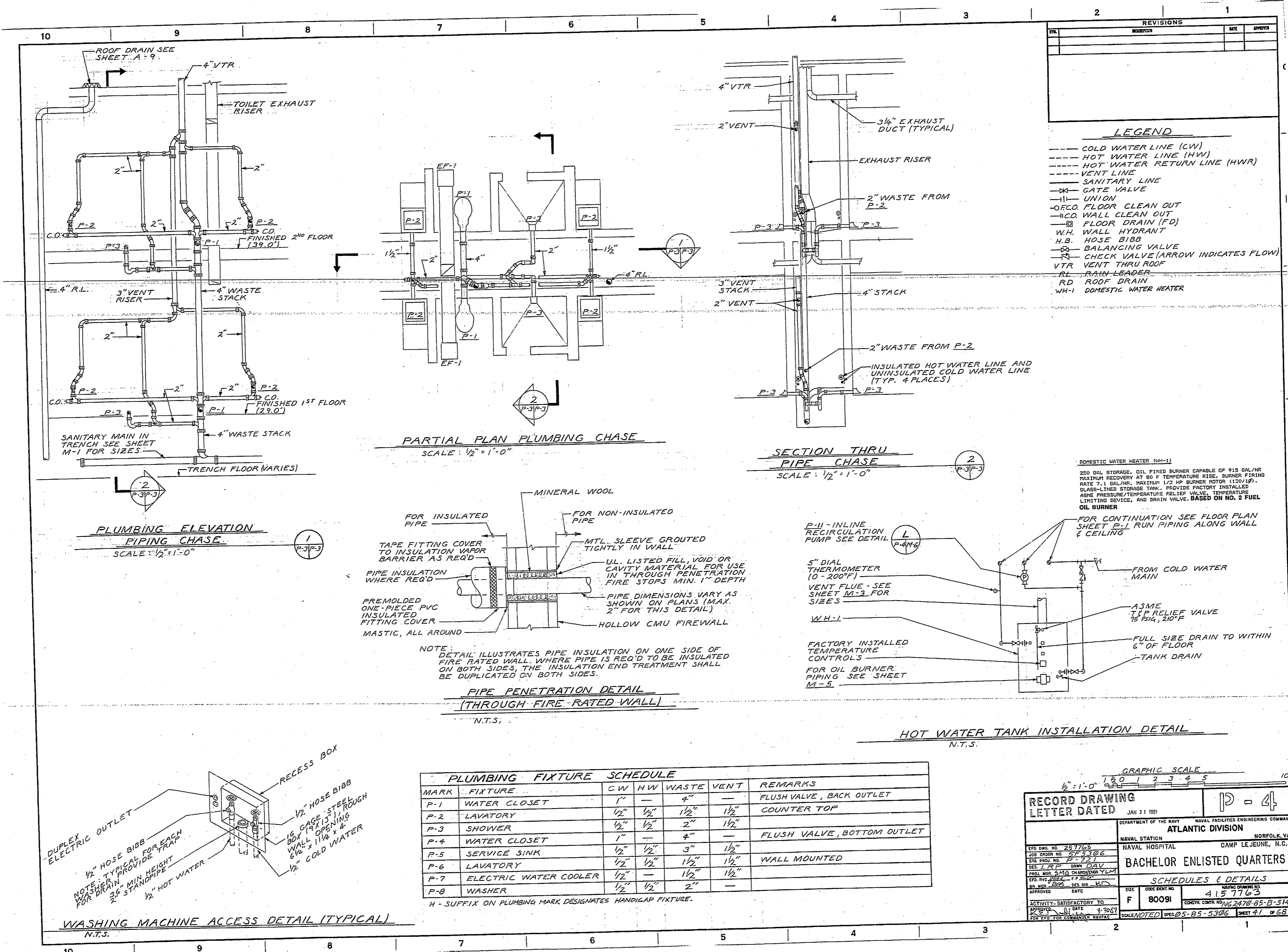
ENLARGED PLAN - SECOND FLOOR CORE AREA

SCALE: 1/4"=1'-0"



RECORD DRAWING CENTER DATED 11-1-68		P-3	
DEPARTMENT OF THE NAVY		NAVAL FACILITIES ENGINEERING COMMAND	
NAVAL HOSPITAL		CAMP LEJEUNE, N.C.	
BACHELOR ENLISTED QUARTERS			
PARTIAL FLOOR PLANS			
NO. 207762	DATE 11-1-68	SCALE 1/4"=1'-0"	NAVAC DRAWING NO. 417762
DESIGNER LRP	CHECKED WJM	DATE 11-1-68	NAVAC DRAWING NO. 417762
PROJECT MANAGER SMG	DESIGNED YLM	DATE 11-1-68	NAVAC DRAWING NO. 417762
APPROVED	DATE	SCALE AS NOTED	NAVAC DRAWING NO. 417762
ACTIVITY: BATHFACTORY TO	DATE	SCALE AS NOTED	NAVAC DRAWING NO. 417762
DATE 11-1-68	SCALE AS NOTED	SCALE AS NOTED	NAVAC DRAWING NO. 417762
FOR THIS PROJECT ONLY	SCALE AS NOTED	SCALE AS NOTED	NAVAC DRAWING NO. 417762





PLUMBING FIXTURE SCHEDULE

MARK	FIXTURE	CW	HW	WASTE	VENT	REMARKS
P-1	WATER CLOSET	1"	—	4"	—	FLUSH VALVE, BACK OUTLET
P-2	LAVATORY	1/2"	1/2"	1 1/2"	1 1/2"	COUNTER TOP
P-3	SHOWER	1/2"	1/2"	2"	1 1/2"	—
P-4	WATER CLOSET	1"	—	4"	—	FLUSH VALVE, BOTTOM OUTLET
P-5	SERVICE SINK	1/2"	1/2"	3"	1 1/2"	—
P-6	LAVATORY	1/2"	1/2"	1 1/2"	1 1/2"	WALL MOUNTED
P-7	ELECTRIC WATER COOLER	1/2"	—	1 1/2"	1 1/2"	—
P-8	WASHER	1/2"	1/2"	2"	—	—

H - SUFFIX ON PLUMBING MARK DESIGNATES HANDICAP FIXTURE.

GRAPHIC SCALE
1/2" = 1'-0"

RECORD DRAWING
LETTER DATED JAN 23 1951

DEPARTMENT OF THE NAVY
NAVAL FACILITIES ENGINEERING COMMAND
ATLANTIC DIVISION
NORFOLK, VA

NAVAL STATION
NAVAL HOSPITAL
CAMP LEJEUNE, N.C.

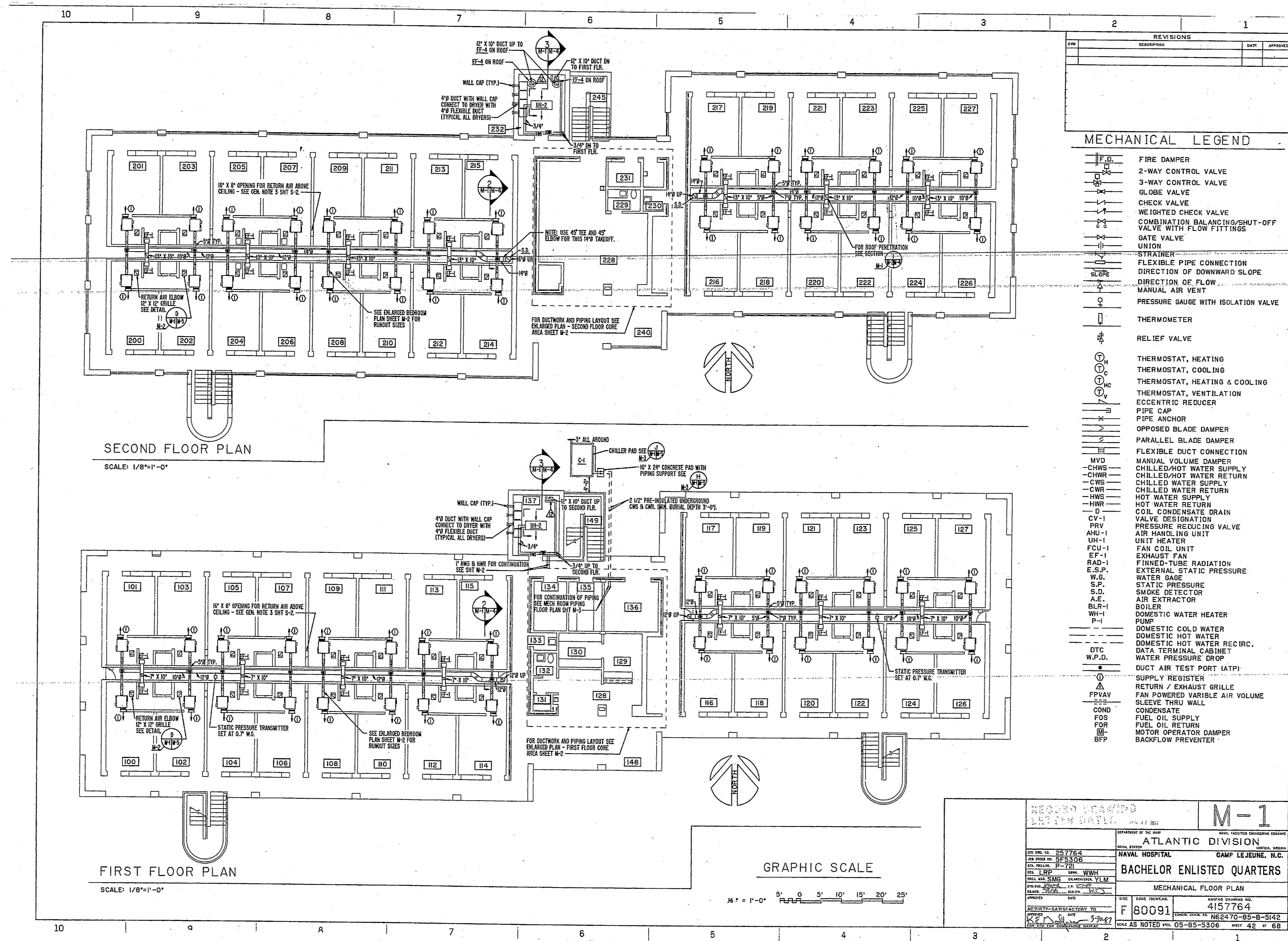
BACHELOR ENLISTED QUARTERS

SCHEDULES & DETAILS
415 1763

ACTIVITY: SATISFACTORY TO
APPROVED: [Signature] DATE: 9-20-51
FOR CIV. FOR. COMMANDER: NAVFAC

SCALE: NOTED SPEC 05-B5-5306 SHEET 41 OF 68





REVISIONS		
NO.	DESCRIPTION	DATE

MECHANICAL LEGEND

- FIRE DAMPER
- 2-WAY CONTROL VALVE
- 3-WAY CONTROL VALVE
- GLOBE VALVE
- CHECK VALVE
- WEIGHTED CHECK VALVE
- COMBINATION BALANCING/SHUT-OFF VALVE WITH FLOW FITTINGS
- GATE VALVE
- UNION
- STRAINER
- FLEXIBLE PIPE CONNECTION
- DIRECTION OF DOWNSLOPE
- DIRECTION OF FLOW
- MANUAL AIR VENT
- PRESSURE GAUGE WITH ISOLATION VALVE
- THERMOMETER
- RELIEF VALVE
- THERMOSTAT, HEATING
- THERMOSTAT, COOLING
- THERMOSTAT, HEATING & COOLING
- THERMOSTAT, VENTILATION
- ECCENTRIC REDUCER
- PIPE CAP
- PIPE ANCHOR
- OPPOSED BLADE DAMPER
- PARALLEL BLADE DAMPER
- FLEXIBLE DUCT CONNECTION
- MANUAL VOLUME DAMPER
- CHILLED/HOT WATER SUPPLY
- CHILLED/HOT WATER RETURN
- CHILLED WATER SUPPLY
- CHILLED WATER RETURN
- HOT WATER SUPPLY
- HOT WATER RETURN
- COIL CONDENSATE DRAIN
- VALVE DESIGNATION
- PRESSURE REDUCING VALVE
- AIR HANDLING UNIT
- UNIT HEATER
- FAN COIL UNIT
- EXHAUST FAN
- FINED-TUBE RADIATION
- EXTERNAL STATIC PRESSURE
- WATER GAGE
- STATIC PRESSURE
- SMOKE DETECTOR
- AIR EXTRACTOR
- BOILER
- DOMESTIC WATER HEATER
- PUMP
- DOMESTIC COLD WATER
- DOMESTIC HOT WATER
- DOMESTIC HOT WATER RECIRC.
- DATA TERMINAL CABINET
- WATER PRESSURE DROP
- DUCT AIR TEST PORT (ATP)
- SUPPLY REGISTER
- RETURN / EXHAUST GRILLE
- FAN POWERED VARIABLE AIR VOLUME
- SLEEVE THRU WALL
- CONDENSATE
- FUEL OIL SUPPLY
- FUEL OIL RETURN
- MOTOR OPERATOR DAMPER
- BACKFLOW PREVENTER

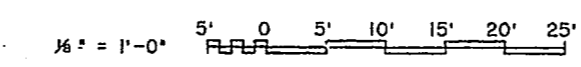
SECOND FLOOR PLAN

SCALE: 1/8"=1'-0"

FIRST FLOOR PLAN

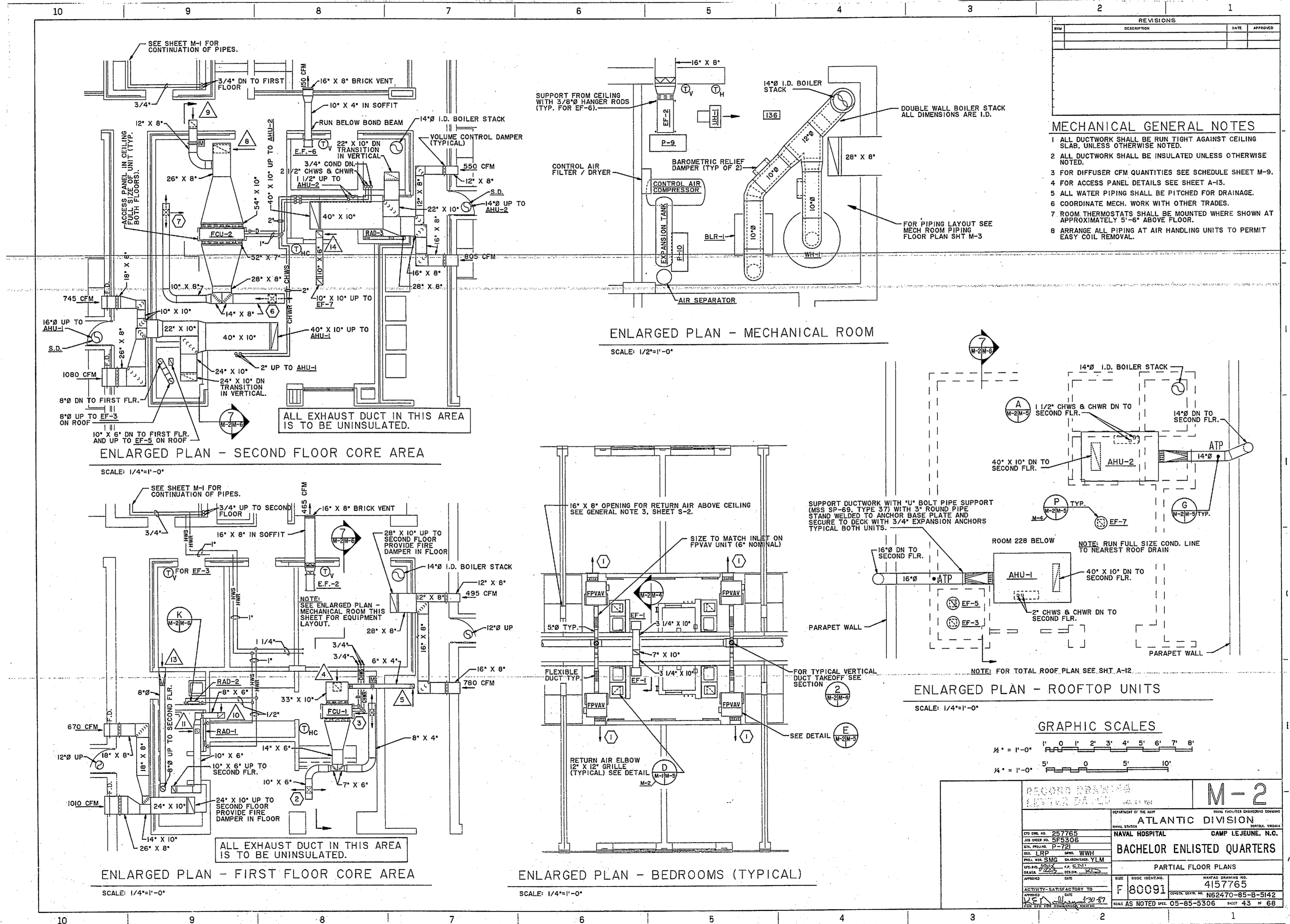
SCALE: 1/8"=1'-0"

GRAPHIC SCALE



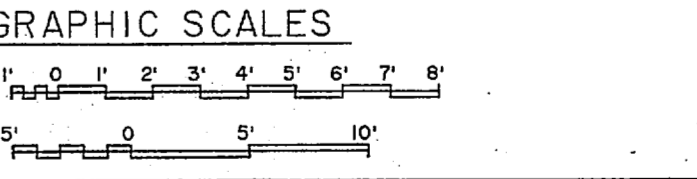
		<h1 style="margin: 0;">M-1</h1>	
DEPARTMENT OF THE NAVY NAVAL FACILITIES ENGINEERING COMMAND NAVAL HOSPITAL CAMP LEJEUNE, N.C.		ATLANTIC DIVISION NAVAL HOSPITAL CAMP LEJEUNE, N.C.	
UFS DWG NO. 257764 UFS DWG NO. 5F5306 UFS PROJ. NO. P-721 UFS DES. LRP UFS MGR. SMG UFS DATE 12/22/85 UFS BY 32087		MECHANICAL FLOOR PLAN BACHELOR ENLISTED QUARTERS MECHANICAL FLOOR PLAN NAVFAC DRAWING NO. 4157764 UFS PROJ. NO. N62470-85-B-5142 UFS AS NOTED 05-85-5306 SHEET 42 OF 68	





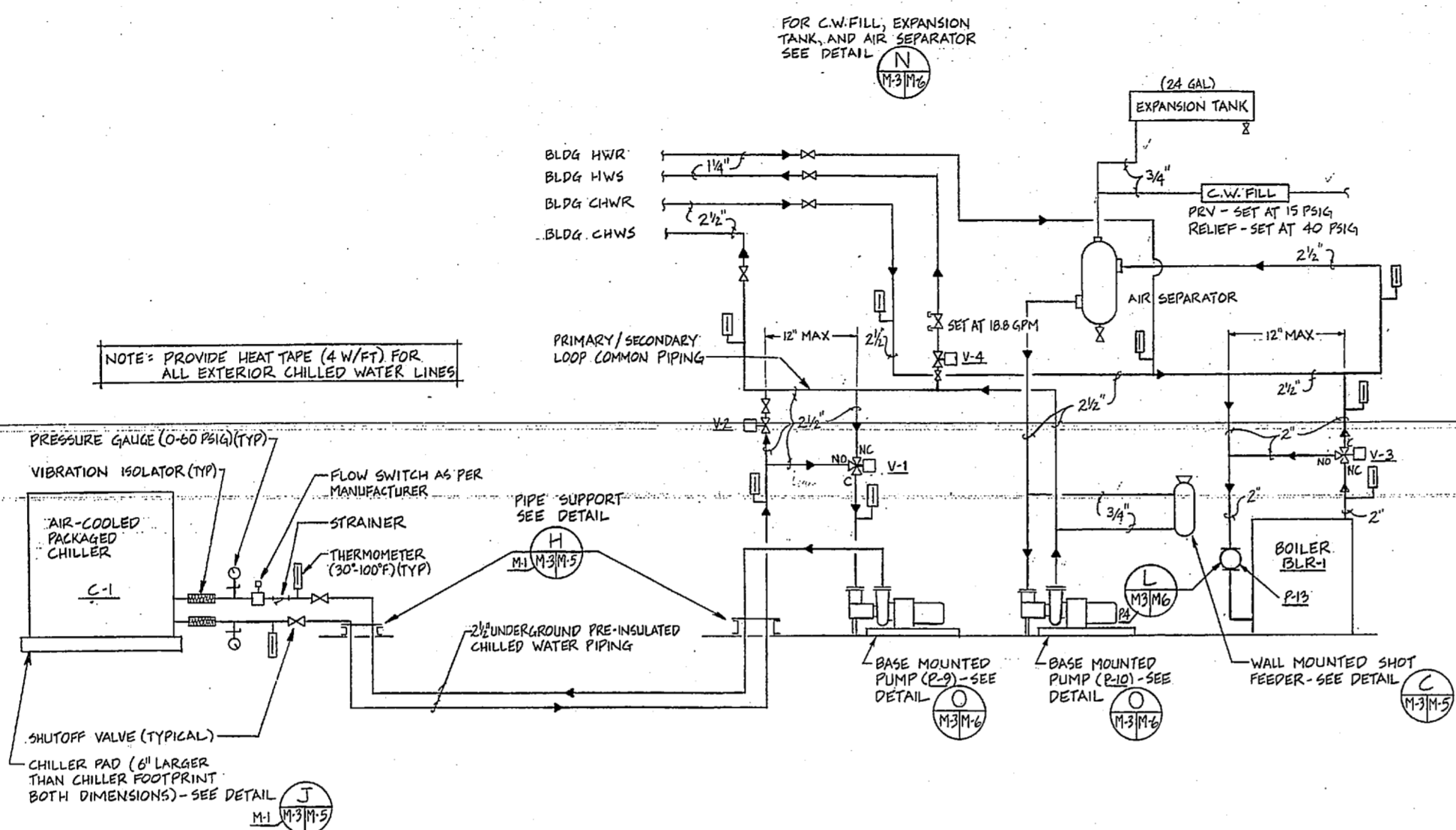
REVISIONS		
NO.	DESCRIPTION	DATE

- MECHANICAL GENERAL NOTES**
- 1 ALL DUCTWORK SHALL BE RUN TIGHT AGAINST CEILING SLAB, UNLESS OTHERWISE NOTED.
 - 2 ALL DUCTWORK SHALL BE INSULATED UNLESS OTHERWISE NOTED.
 - 3 FOR DIFFUSER CFM QUANTITIES SEE SCHEDULE SHEET M-9.
 - 4 FOR ACCESS PANEL DETAILS SEE SHEET A-13.
 - 5 ALL WATER PIPING SHALL BE PITCHED FOR DRAINAGE.
 - 6 COORDINATE MECH. WORK WITH OTHER TRADES.
 - 7 ROOM THERMOSTATS SHALL BE MOUNTED WHERE SHOWN AT APPROXIMATELY 5'-6" ABOVE FLOOR.
 - 8 ARRANGE ALL PIPING AT AIR HANDLING UNITS TO PERMIT EASY COIL REMOVAL.

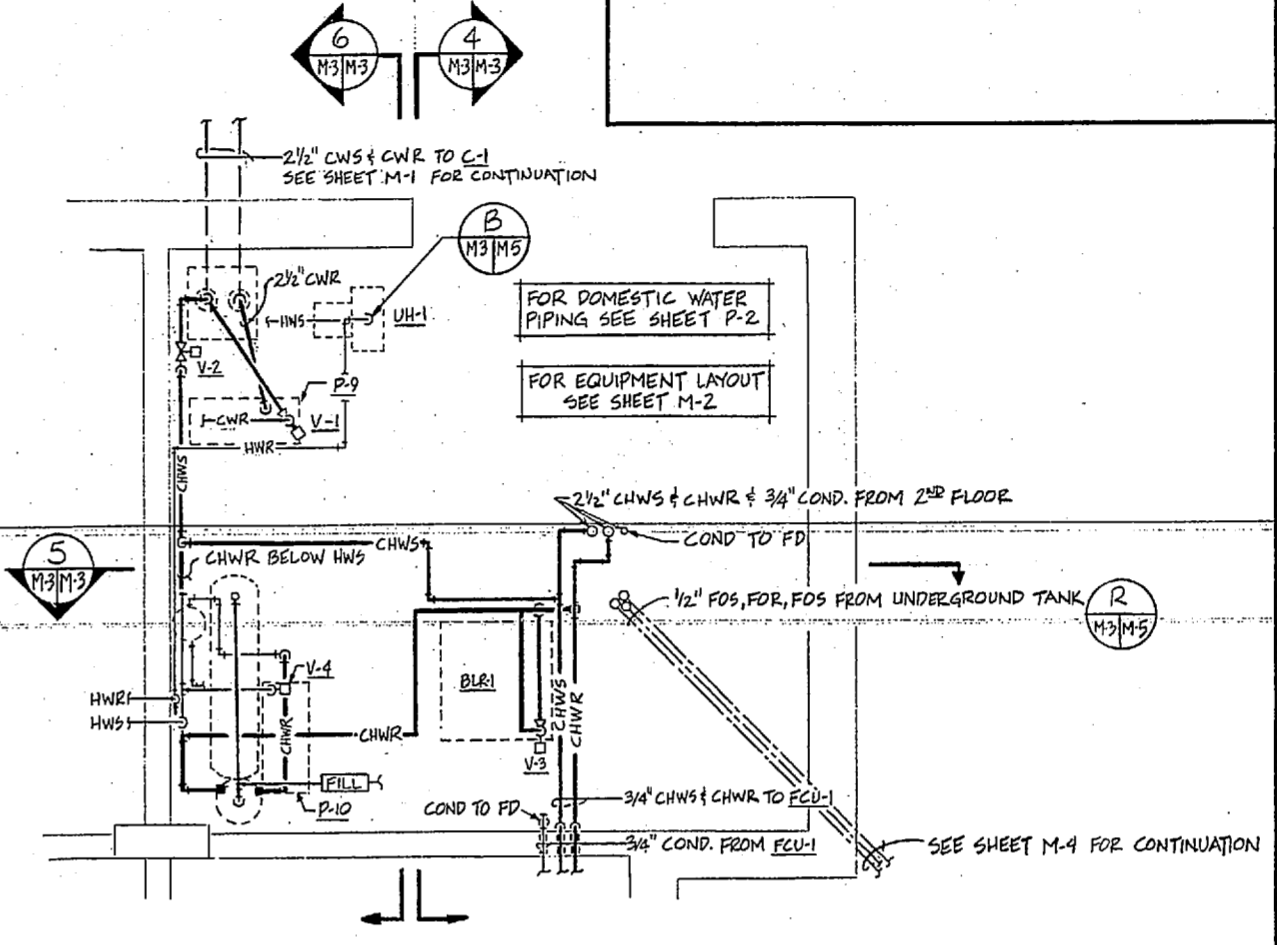


RECORD DRAWING (THIS DRAWING IS TO BE USED FOR RECORD PURPOSES ONLY)		M-2	
DEPARTMENT OF THE NAVY ATLANTIC DIVISION			
NAVAL HOSPITAL CAMP LEJEUNE, N.C.			
BACHELOR ENLISTED QUARTERS			
PARTIAL FLOOR PLANS			
DESIGNED BY: 257765 DRAWN BY: 5F5306 CHECKED BY: P-721 TITLE: BACH. ENLISTED QTR. YLM	PROJECT NO.: 13087 DATE: 12/20/87	NAVFAC DRAWING NO.: 4157765 CONTROL NO.: NS2470-85-B-5142 SHEET NO.: 43 OF 68	ACTIVITY: BACH. ENLISTED QTR. APPROVED BY: 13087

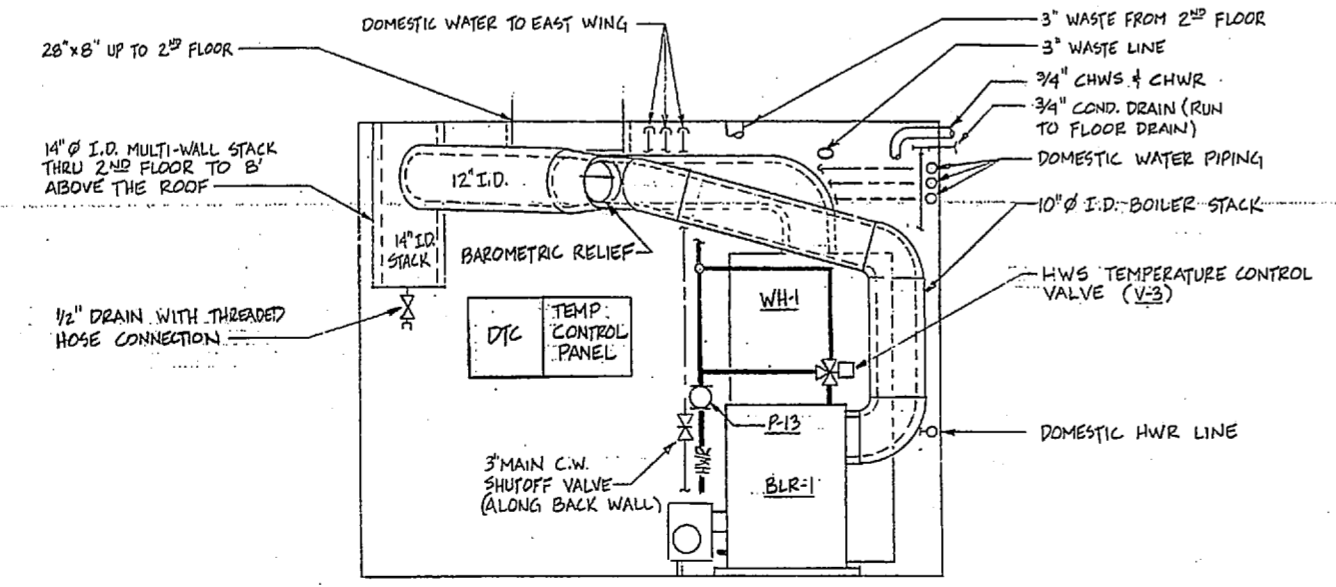
REVISIONS		
NO.	DESCRIPTION	DATE



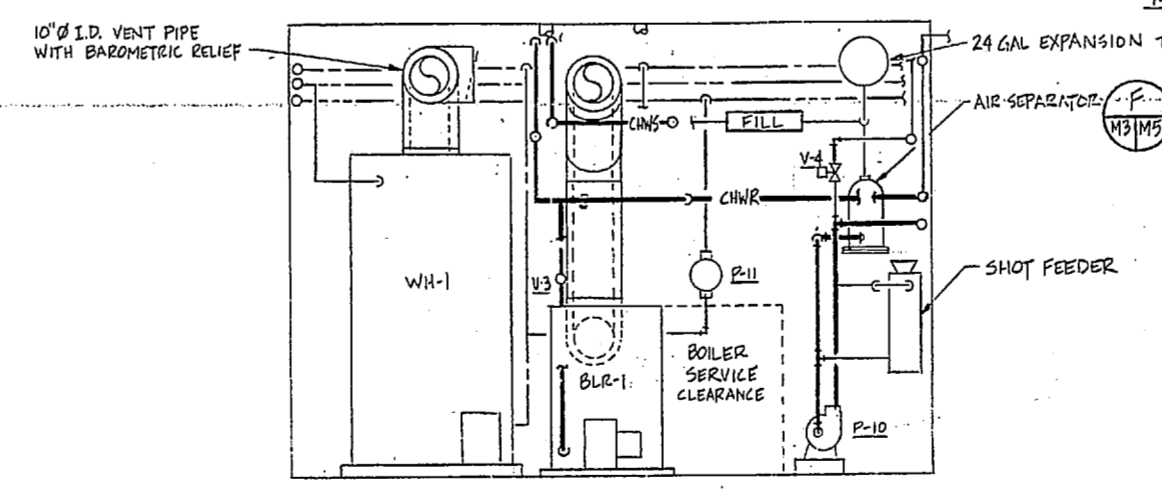
DUAL TEMPERATURE HYDRONIC SYSTEM FLOW DIAGRAM
NO SCALE



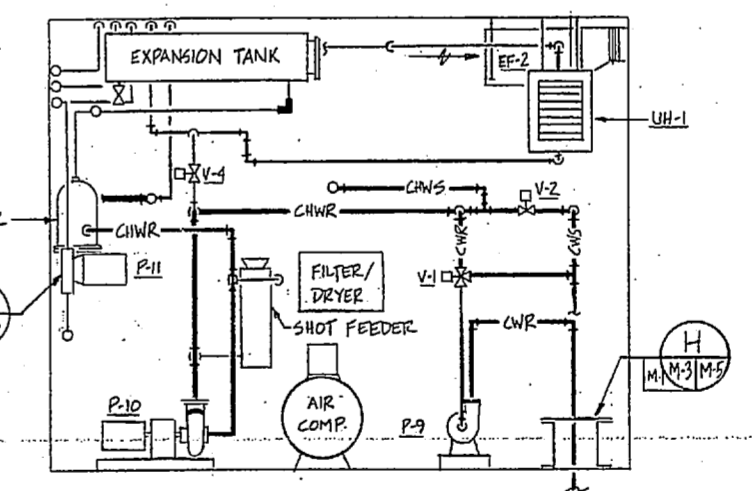
MECH ROOM PIPING FLOOR PLAN
SCALE: 1/2" = 1'-0"



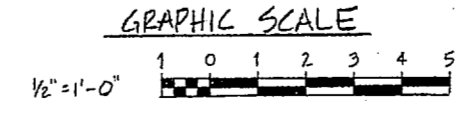
SECTION 4
SCALE: 1/2" = 1'-0"



SECTION 5
SCALE: 1/2" = 1'-0"

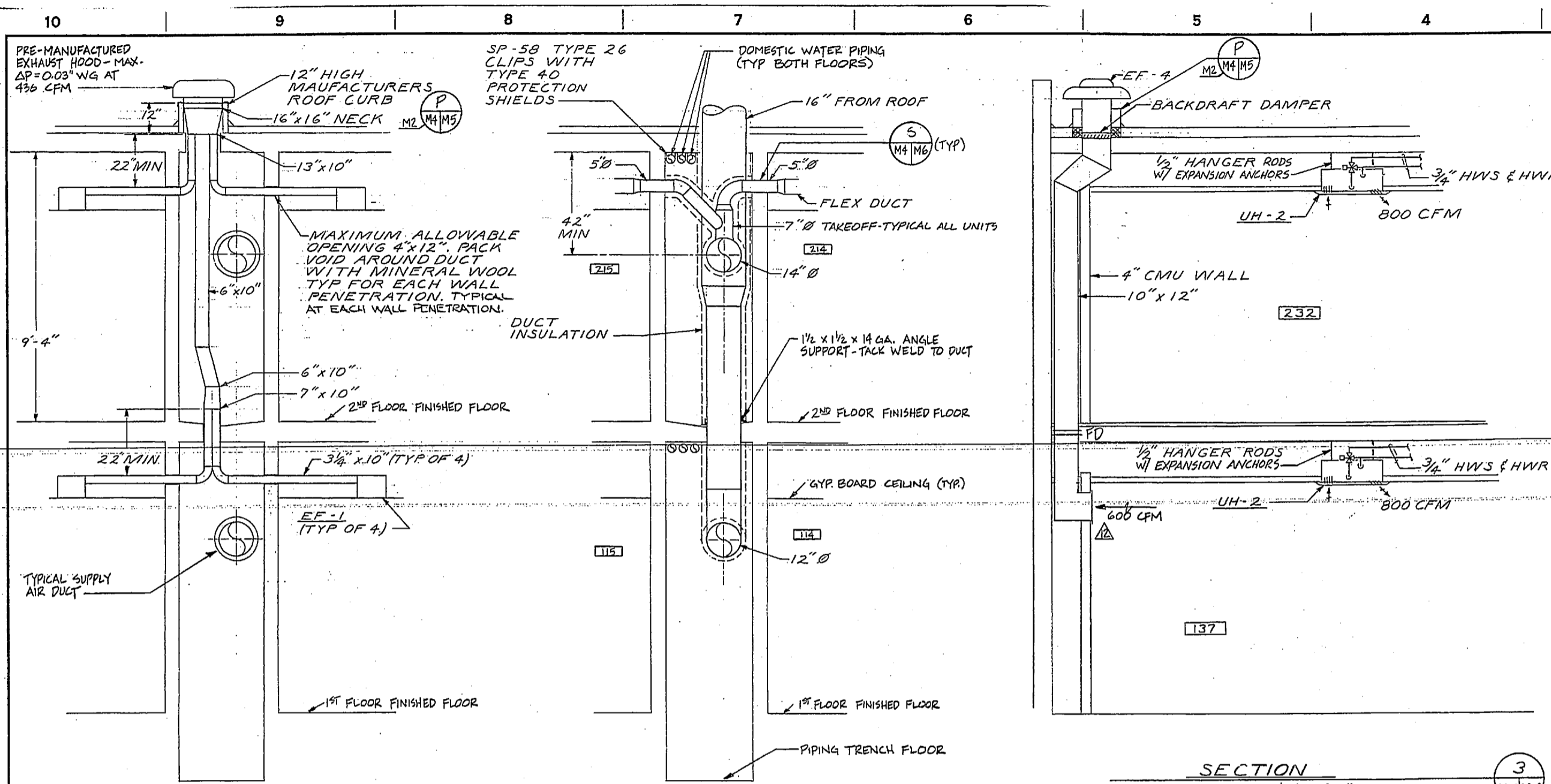


SECTION 6
SCALE: 1/2" = 1'-0"



RECORD DRAWING LETTER DATED JAN 2 1967		M - 3	
DEPARTMENT OF THE NAVY NAVAL FACILITIES ENGINEERING COMMAND			
ATLANTIC DIVISION NORFOLK, VA.			
NAVAL STATION	NORFOLK, VA.	NAVAL HOSPITAL	CAMP LEJEUNE, N.C.
BACHELOR ENLISTED QUARTERS			
MECHANICAL ROOM PLAN			
APPROVED	DATE	SCALE	CODE BOOK NO.
F	80091	415 7766	
ACTIVITY - SATISFACTORY TO	DATE	CONTR. CONTR. NO.	
	3-30-67	NL3470-85-B-542	
FOR EFB T&E COMMANDER NAVFAC		SCALE AS NOTED SPEC. 05-85-5302 SHEET 44 OF 68	



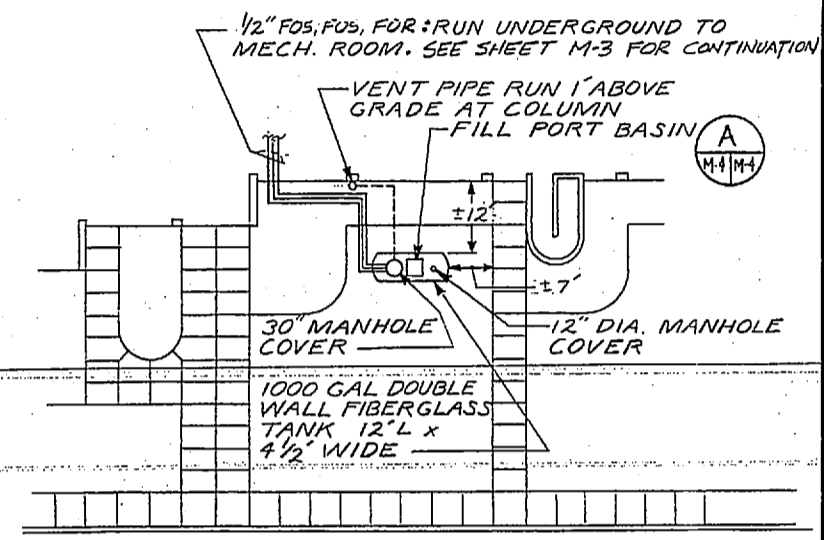


TYPICAL TOILET EXHAUST FAN RISER
SCALE: 1/2" = 1'-0"

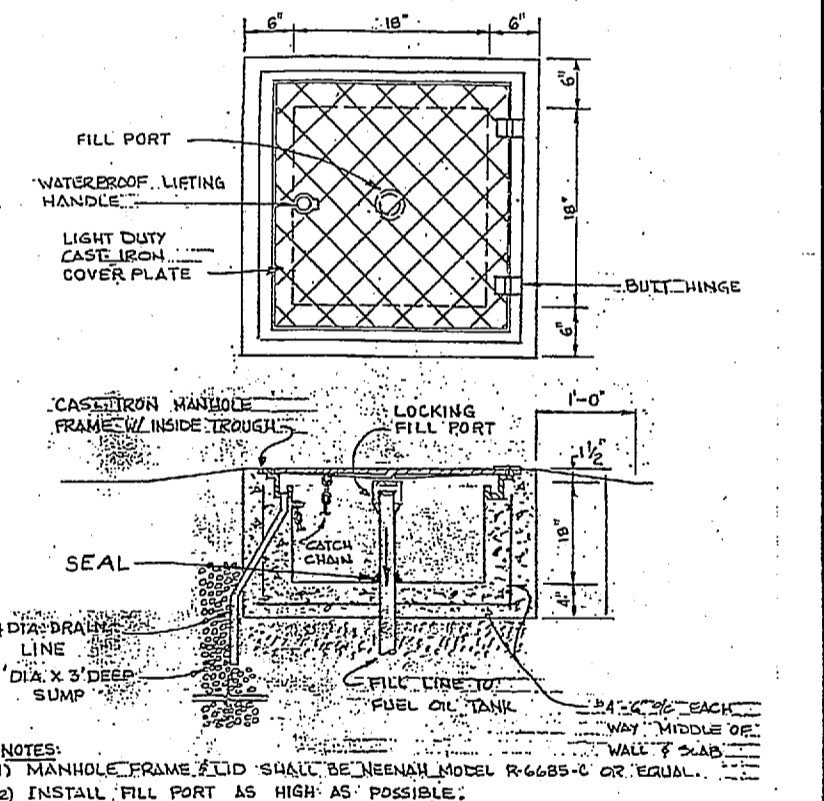
SECTION - TYPICAL EACH TAKEOFF
SCALE: 1/2" = 1'-0"

SECTION
SCALE: 1/2" = 1'-0"

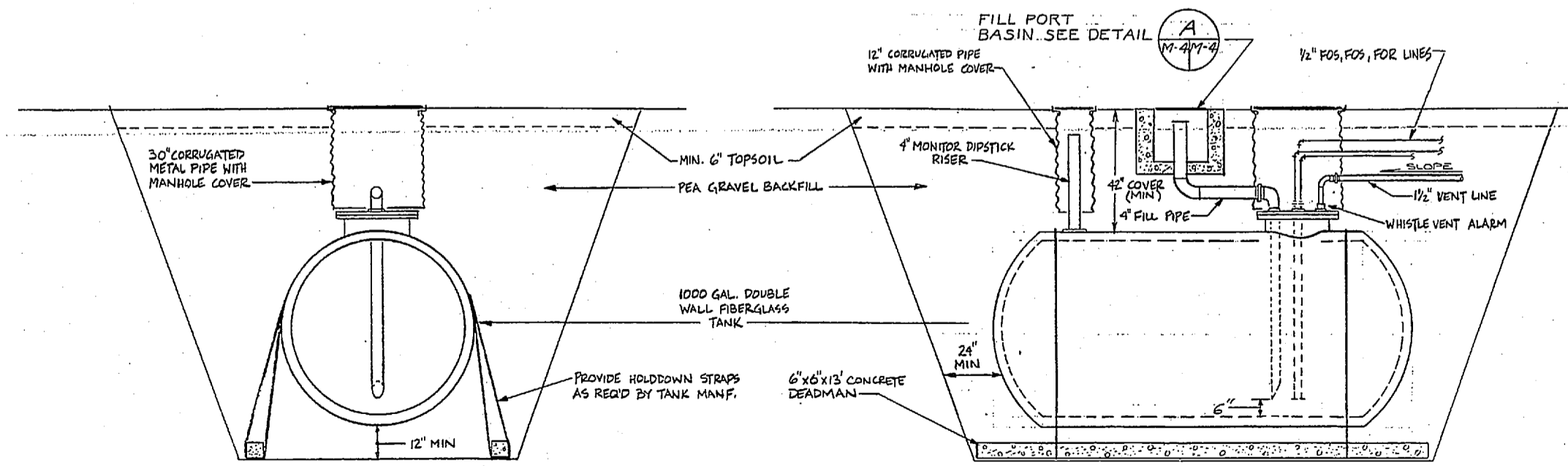
REVISIONS		
NO.	DESCRIPTION	DATE



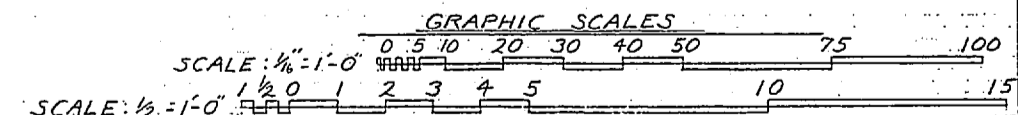
NOTE: SEE SHEET C-2 FOR FULL PLAN VIEW
FUEL OIL TANK PARTIAL PLAN
SCALE: 1/16" = 1'-0"



FILL PORT BASIN DETAIL
N.T.S.



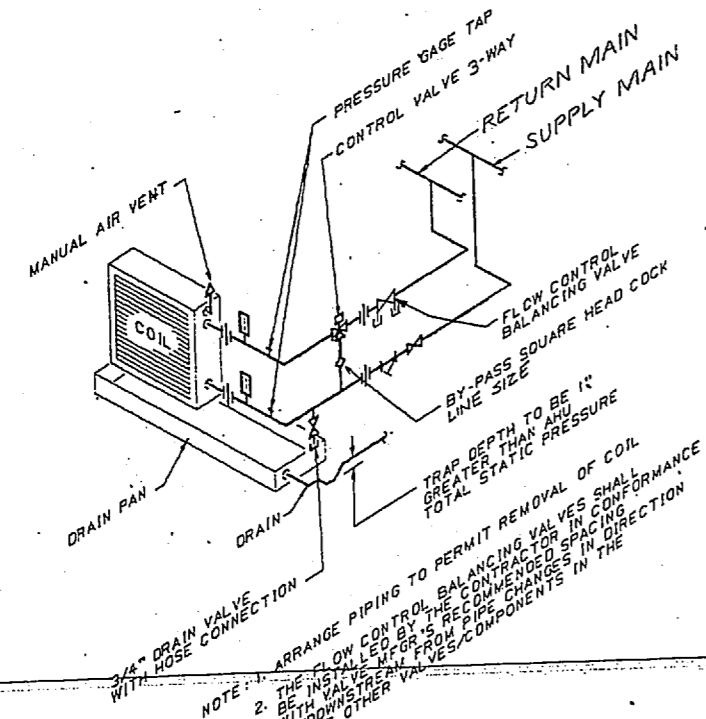
1000 GAL. UNDERGROUND FUEL OIL TANK
N.T.S.



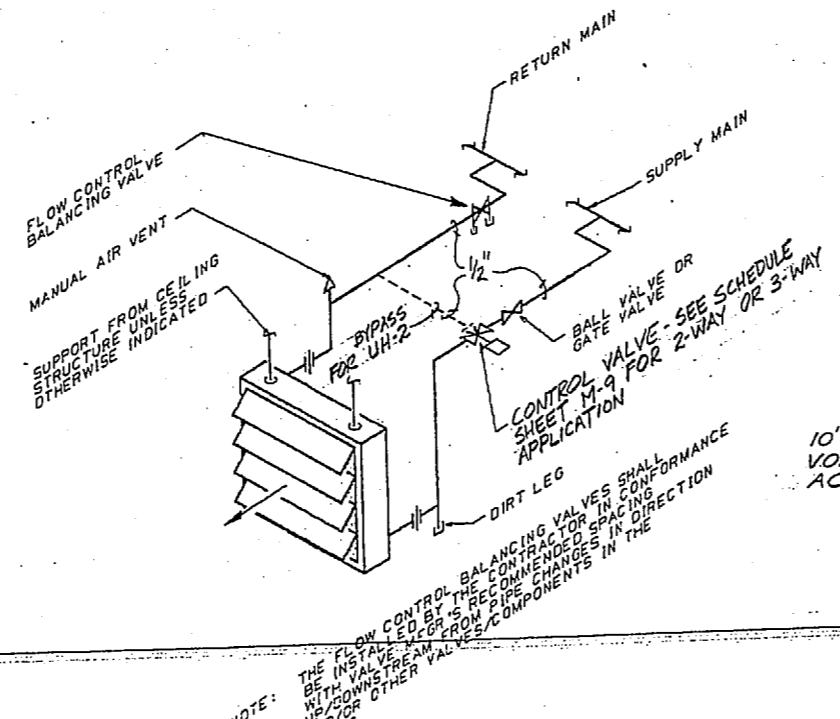
RECORD DRAWING		M - 4	
LETTER DATED		JAN 31 1951	
DEPARTMENT OF THE NAVY NAVAL FACILITIES ENGINEERING COMMAND			
ATLANTIC DIVISION			
NAVAL STATION NORFOLK, VA.			
NAVAL HOSPITAL		CAMP LE JEUNE, N.C.	
BACHELOR ENLISTED QUARTERS			
EFD DNG. NO. 257767			
JOB ORDER NO. 55306			
STA PROJ. NO. 8-721			
DES. I.R.P. DRWN. DAV			
PROJ. MGR. SMG CHARGEMAN YLM			
EFD. REV. P.P. 1-1-51			
REV. NO. 222 DES. DIR. 215			
APPROVED DATE			
ACTIVITY: SATISFACTORY TO		SCALE: NOTED	
APPROVED DATE 3-2-51		SPEC. 05-85-5306	
FOR EFD. FOR COMMANDER NAVFAC		SHEET 45 OF 68	



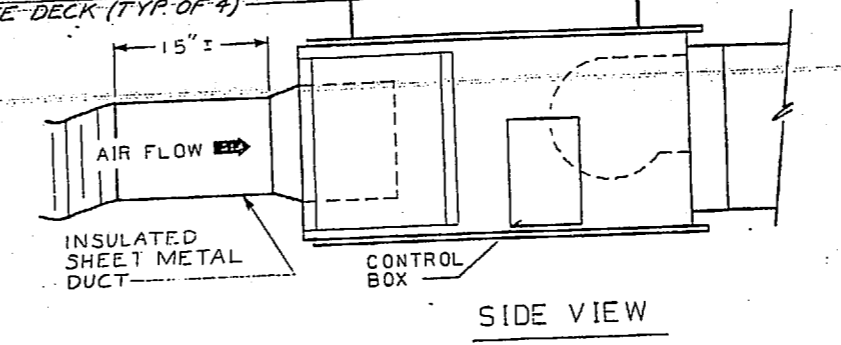
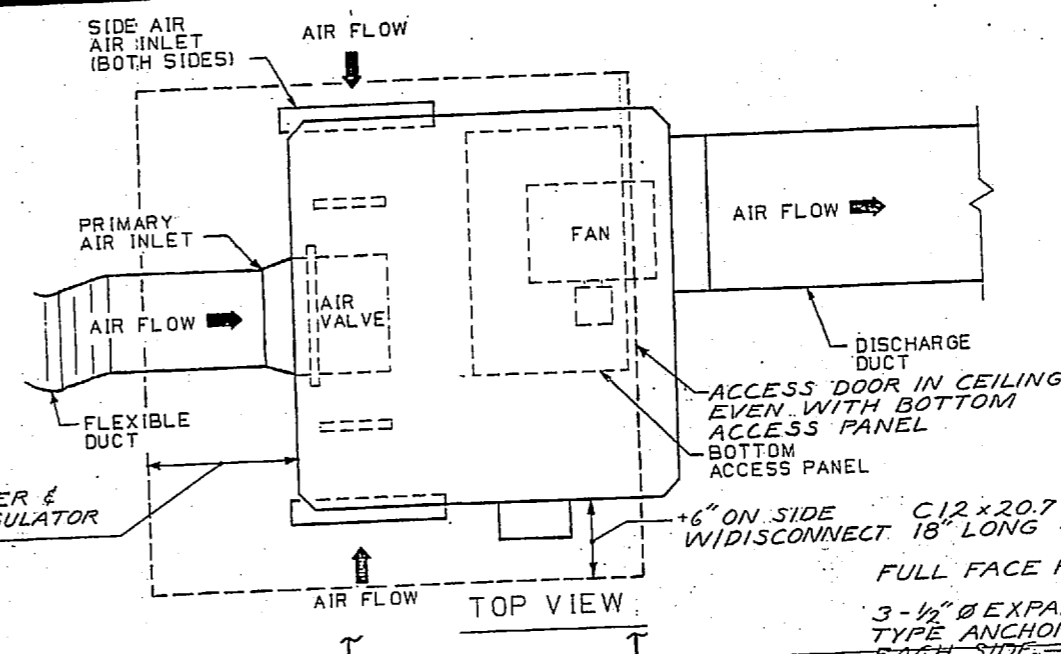
REVISIONS		
NO.	DESCRIPTION	DATE



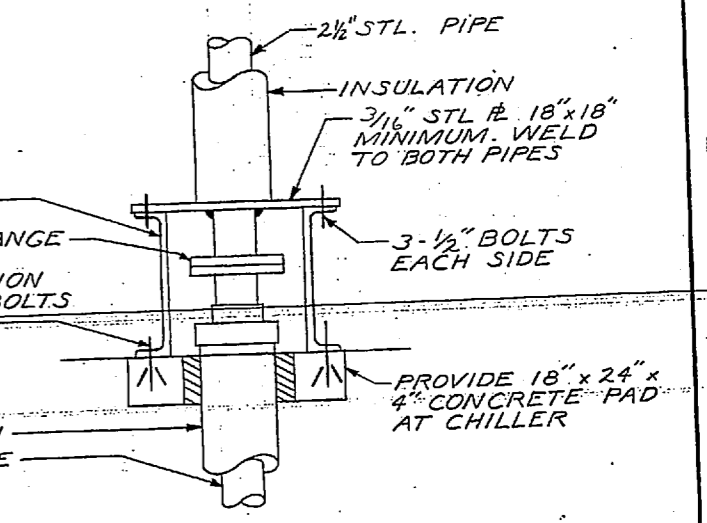
A.H.U. COIL PIPING DETAIL
NOT TO SCALE



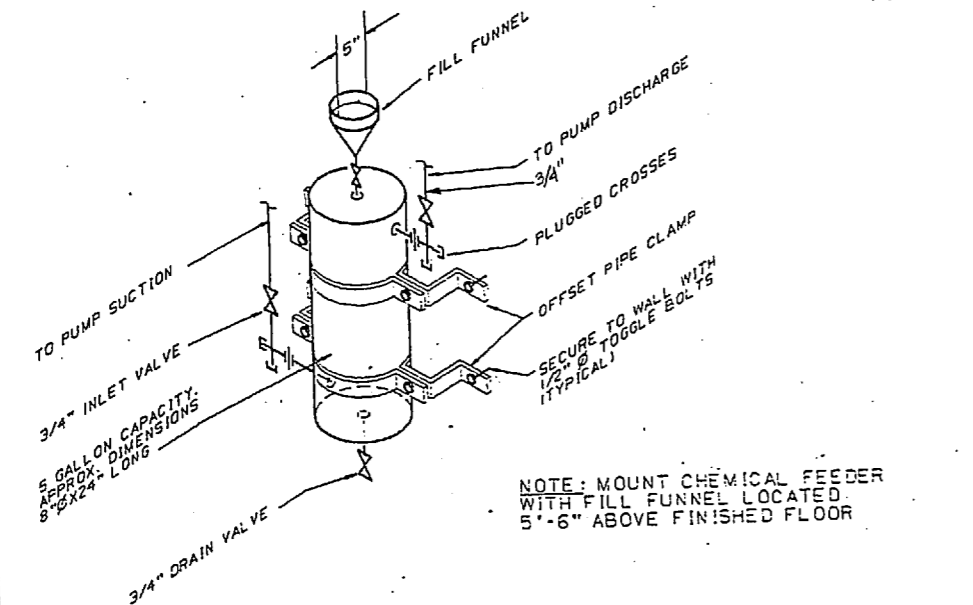
HOT WATER UNIT HEATER PIPING DETAIL
NOT TO SCALE



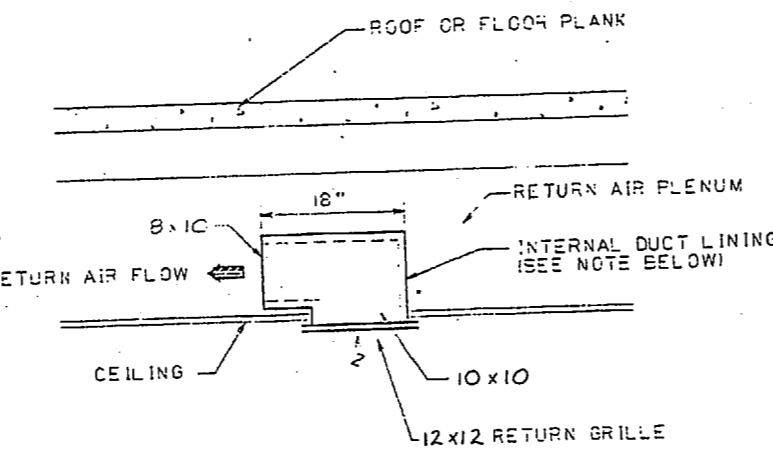
FAN POWERED VAV BOX DETAIL
NOT TO SCALE



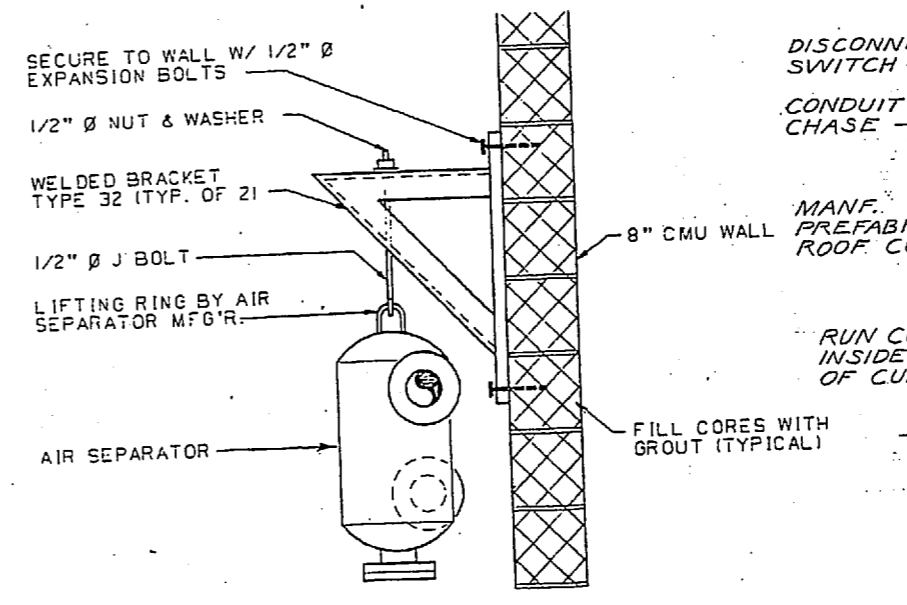
CHILLED WATER PIPING SUPPORT
NOT TO SCALE



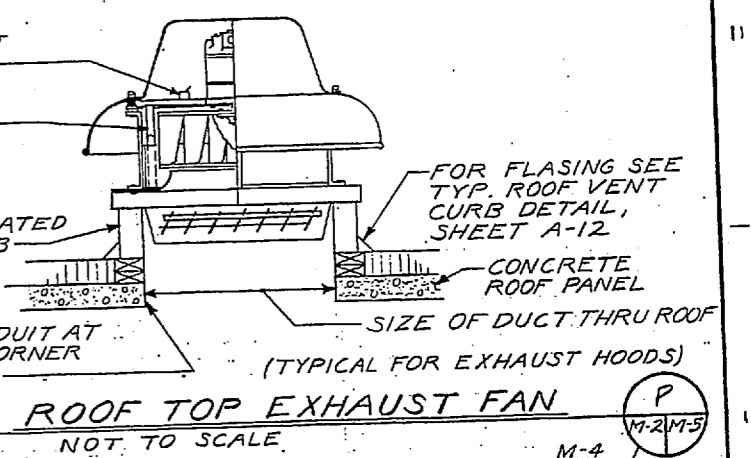
CHEMICAL SHOT-TYPE FEEDER DETAIL
NOT TO SCALE



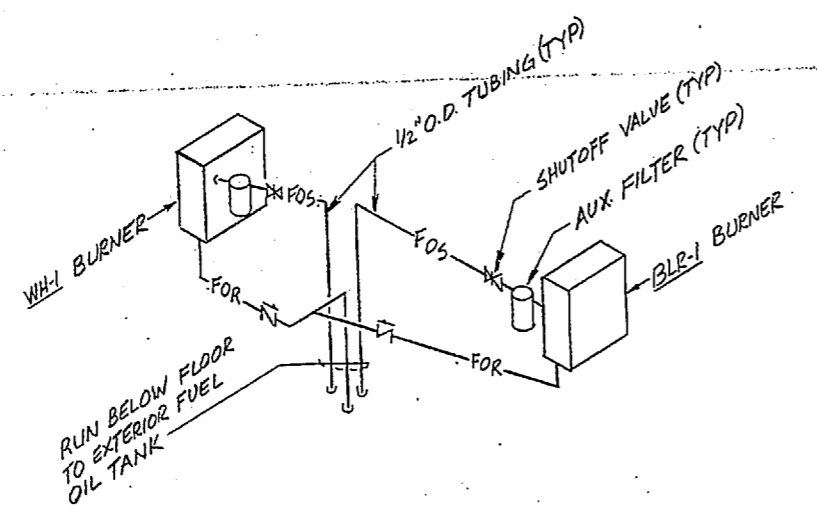
ACOUSTICAL RETURN DETAIL
NOT TO SCALE



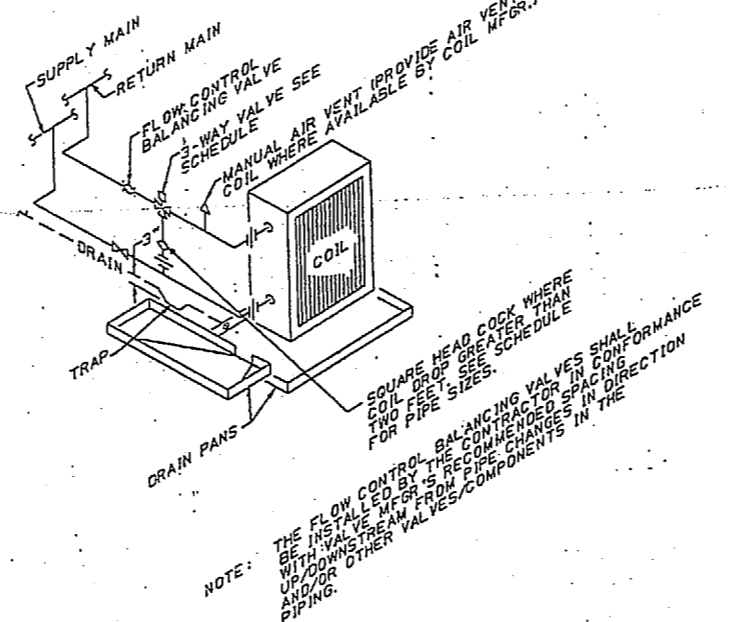
AIR SEPARATOR SUPPORT DETAIL
NOT TO SCALE



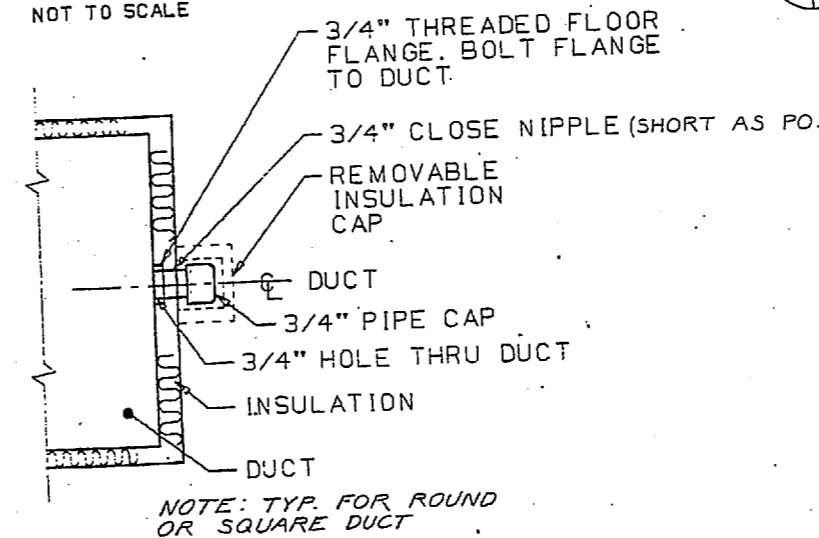
ROOF TOP EXHAUST FAN
NOT TO SCALE



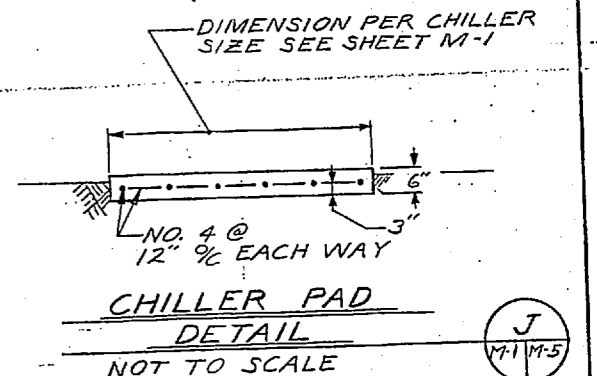
FUEL OIL SUPPLY PIPING
NOT TO SCALE



3-WAY VALVE PIPING CONFIGURATION
NOT TO SCALE

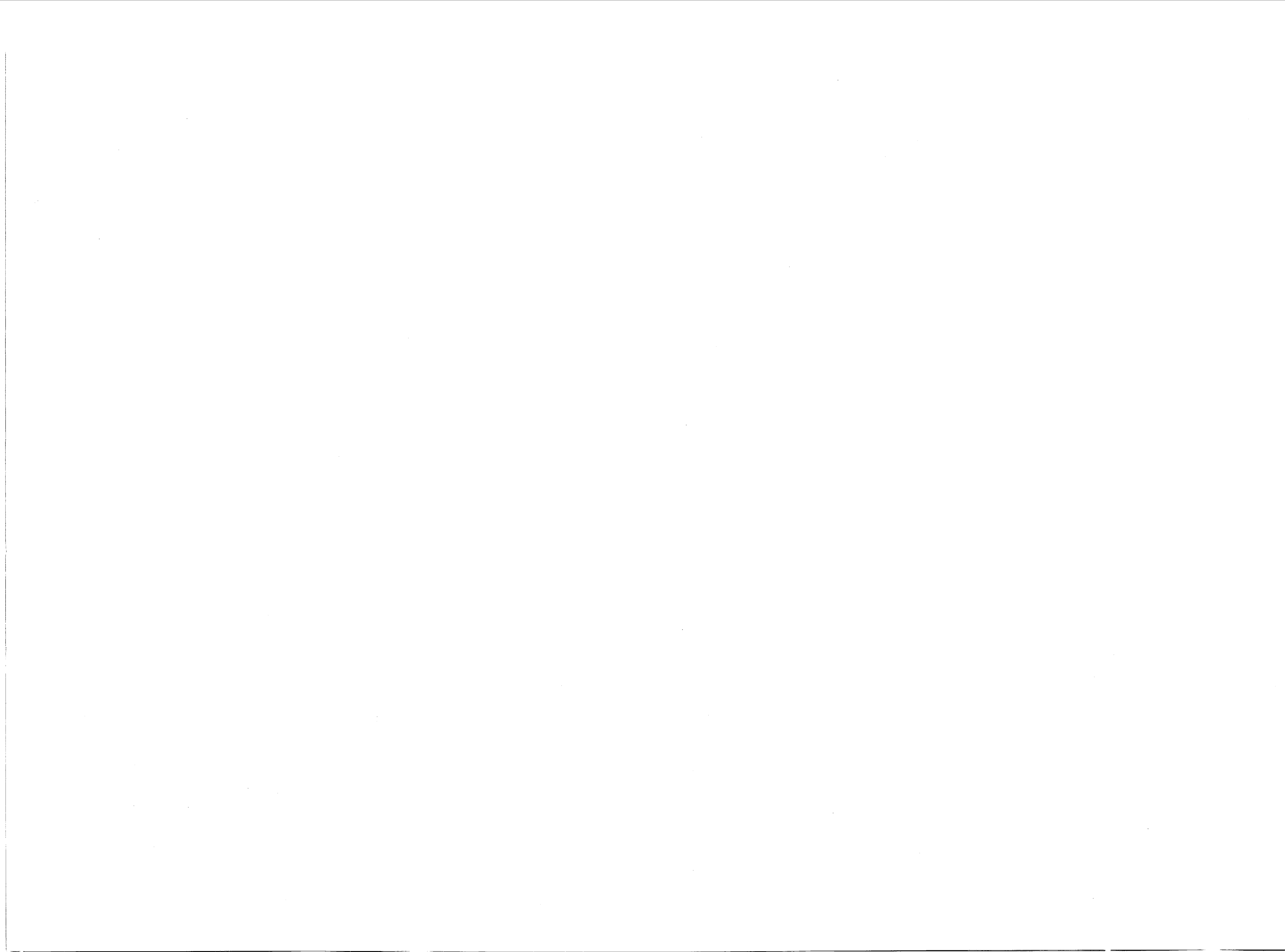


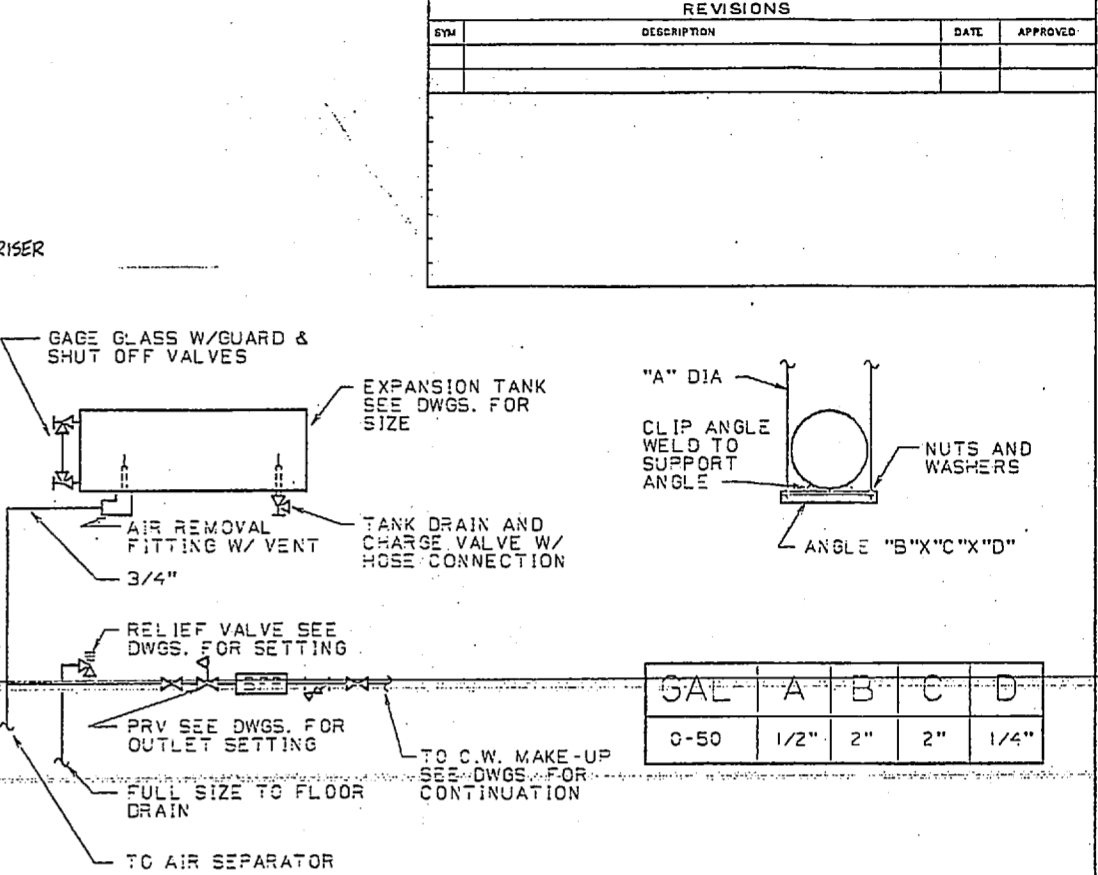
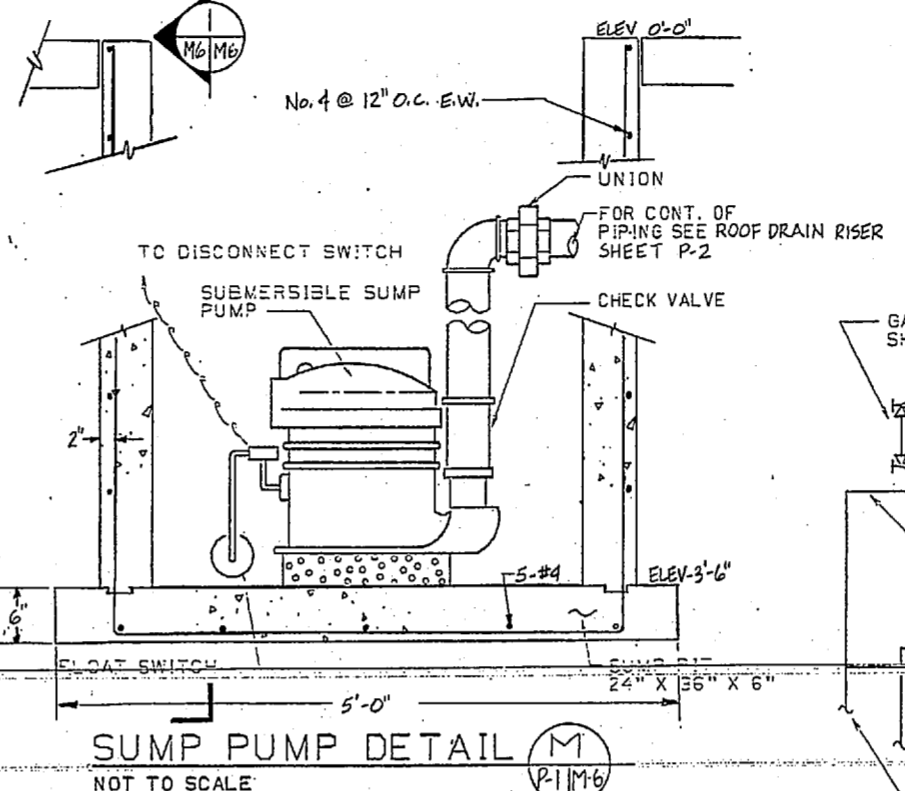
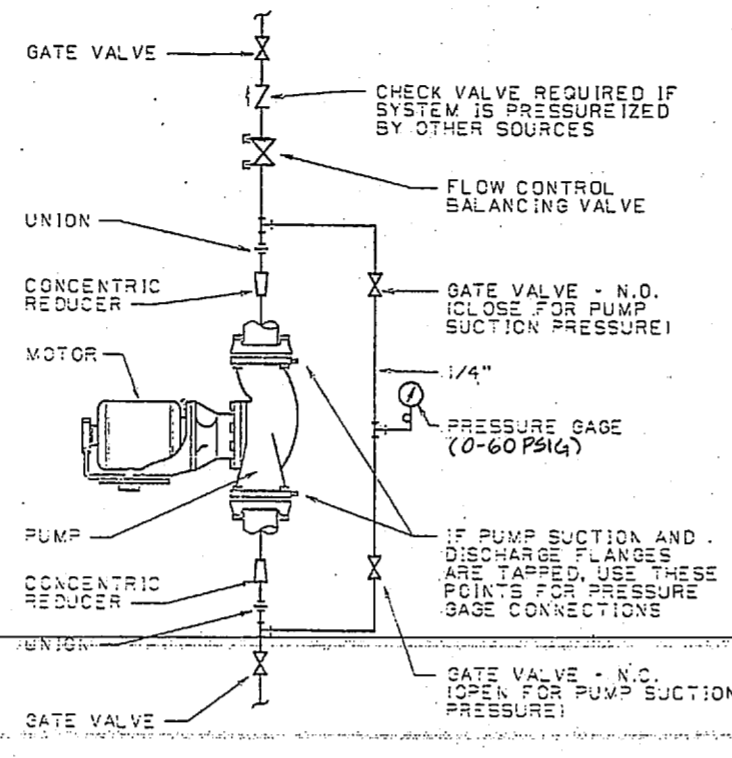
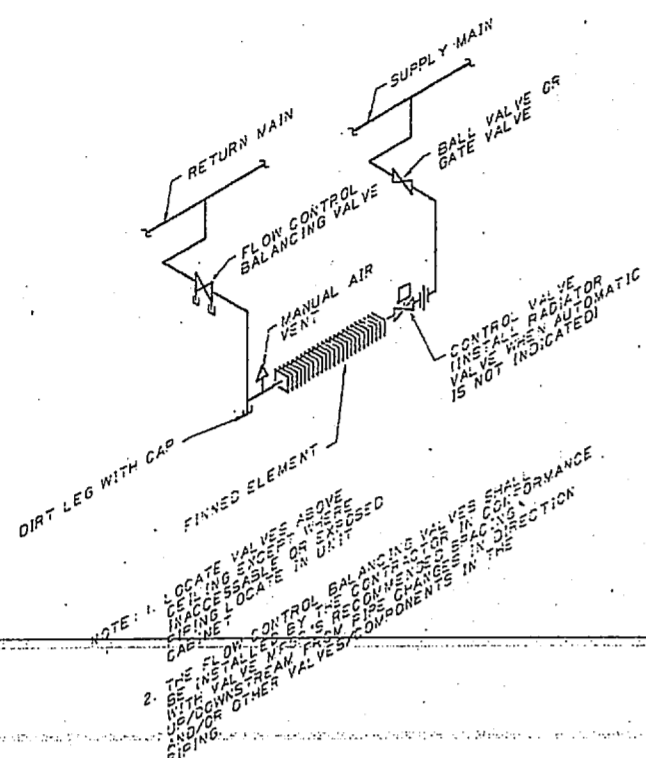
AIR TEST PORT DETAIL (ATP)
NOT TO SCALE



CHILLER PAD DETAIL
NOT TO SCALE

RECORD DRAWING		M - 5	
LETTER DATED JAN 23 1991		NAVAL STATION	
NAVAL HOSPITAL		ATLANTIC DIVISION	
CAMP LEJEUNE, N.C.		NORFOLK, VA	
BACHELOR ENLISTED QUARTERS		NAVAL HOSPITAL	
DETAILS		CAMP LEJEUNE, N.C.	
PROJECT NO. 4157768	SCALE (NOTED)	DATE	APPROVED
80091	4157768	1-20-87	[Signature]
ACTIVITY SATISFACTORY TO	DATE	SCALE	APPROVED
1-20-87	1-20-87	1/8\"/>	





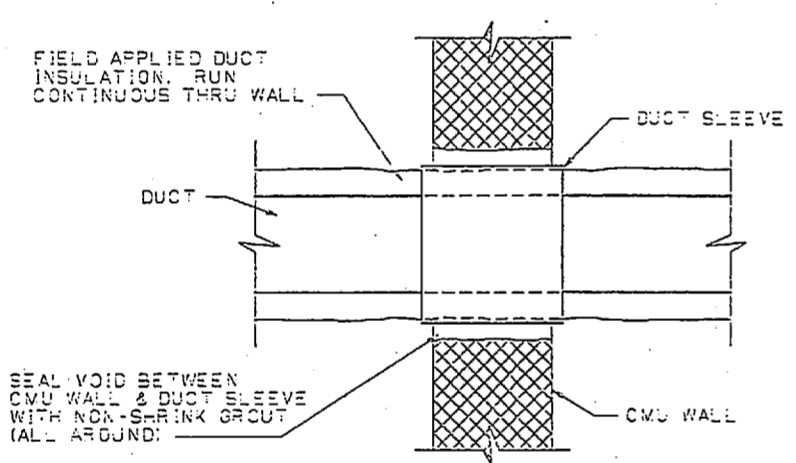
REVISIONS		
REV	DESCRIPTION	DATE

DOWN FEED HOT WATER FINNED TUBE PIPING DETAIL (K) M2/M6 NOT TO SCALE

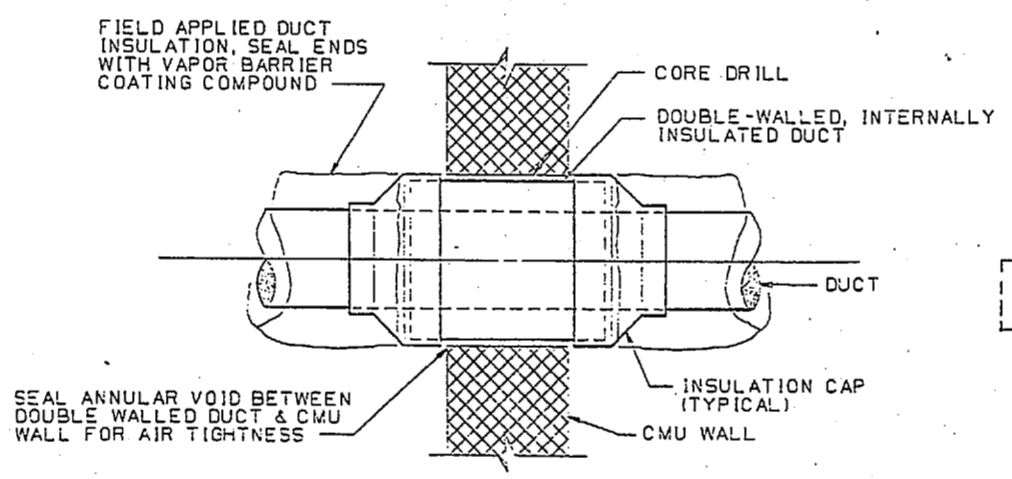
INLINE CENTRIFUGAL PUMP (L) P4 M3/M6 NOT TO SCALE

SUMP PUMP DETAIL (M) P1/M6 NOT TO SCALE

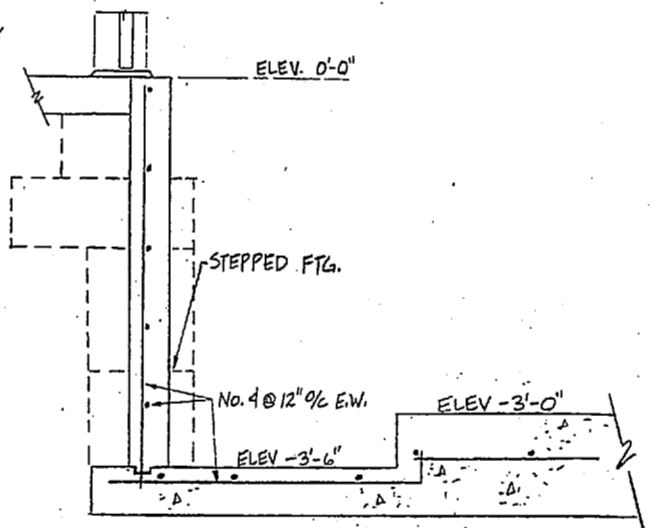
EXPANSION TANK DETAIL (N) M3/M6 NOT TO SCALE



INSULATED RECTANGULAR DUCT PENETRATION

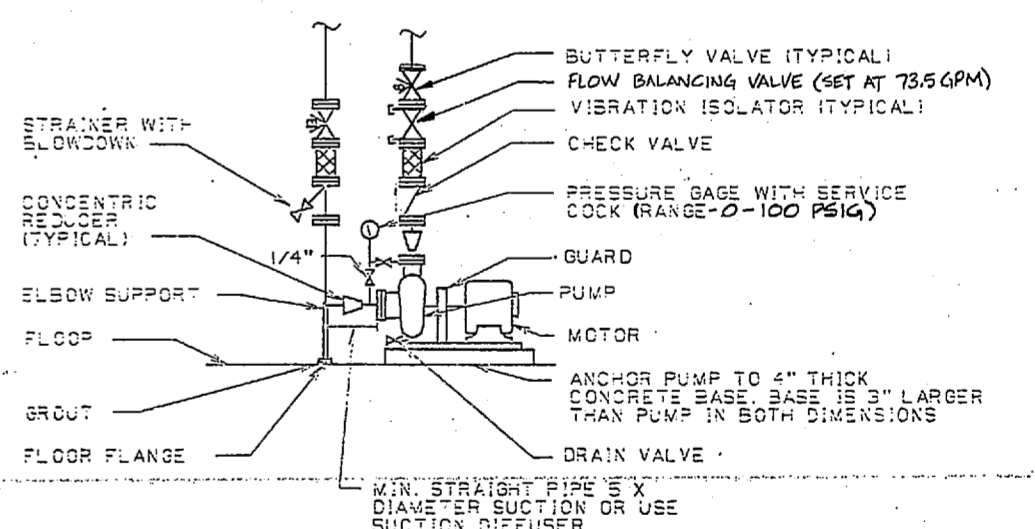


INSULATED ROUND DUCT PENETRATION

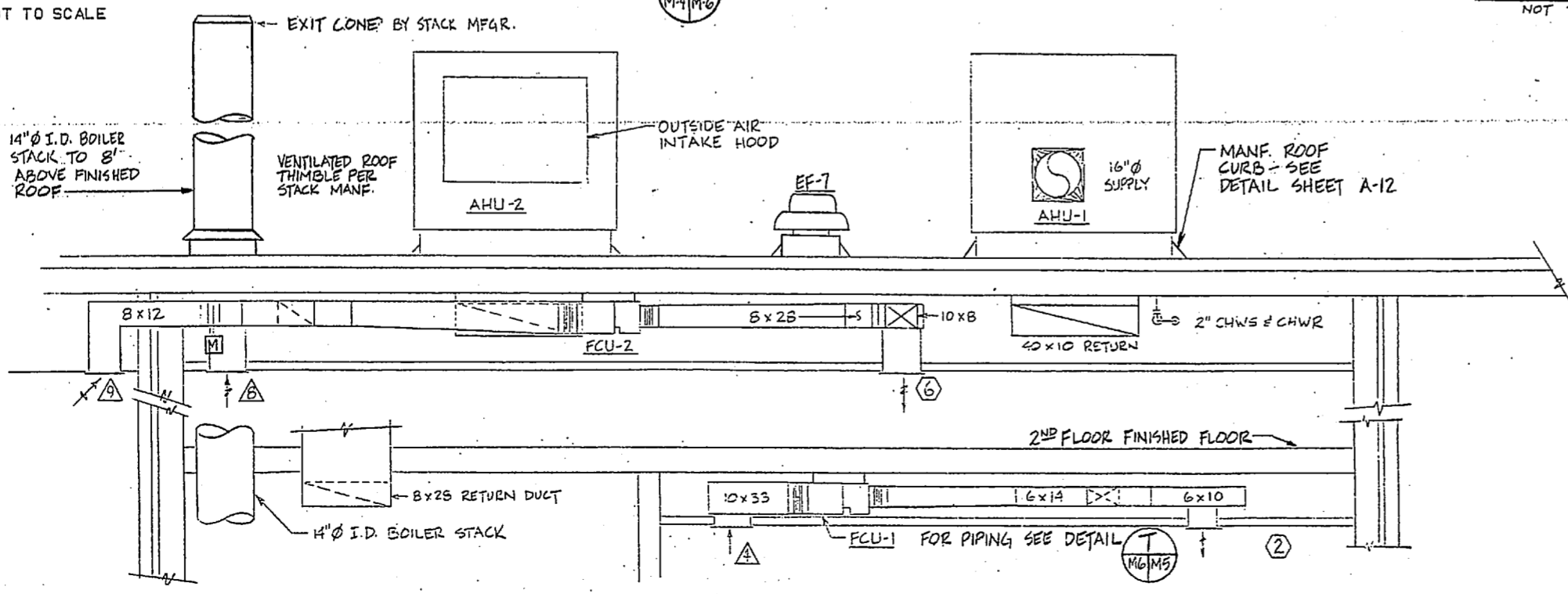


SECTION (I) M6/M6 NOT TO SCALE

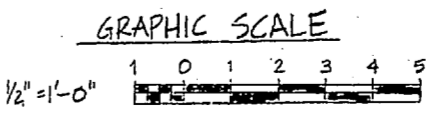
DUCT PENETRATION DETAIL (TYPICAL) (S) M4/M6 NOT TO SCALE



BASE MOUNTED CENTRIFUGAL PUMP (O) M3/M6 NOT TO SCALE



SECTION (7) M2/M6 SCALE: 1/2\"/>



RECORD DRAWING LETTER DATED JAN 31 1961		M-6	
DEPARTMENT OF THE NAVY NAVAL HOSPITAL BACHELOR ENLISTED QUARTERS		NAVAL FACILITIES ENGINEERING COMMAND ATLANTIC DIVISION CAMP LE JEUNE, N.C.	
PROJECT: 5M6 ENLISTED QUARTERS V.I.V.		DRAWING NO.: 4157769	
DATE: 7/20/61		SCALE AS NOTED: 05-55-5306	



SEQUENCE OF OPERATION

CENTRAL SYSTEM CHANGE-OVER CONTROL.
SYSTEM CHANGE OVER FROM HEATING TO COOLING (AND VICE VERSA) SHALL BE ACCOMPLISHED BY A MANUAL "SUPERINTENDER" SWITCH, MOUNTED IN THE CONTROL PANEL IN THE MECHANICAL ROOM. WHEN THE CHANGEOVER SWITCH IS IN THE "SUMMER" POSITION, 15 PSI CONTROL AIR SHALL BE SUPPLIED TO THE CHILLED WATER PUMP P-1. VALVE V-1 SHALL BEGIN TO OPEN TO THE BUILDING SYSTEM TO MAINTAIN 80°F MAXIMUM TEMPERATURE AT THE CHILLED WATER PUMP INLET. THE VALVE SHALL BE FULLY OPEN TO THE BUILDING SYSTEM WHEN THE WATER TEMPERATURE REACHES 80°F. WHEN THEY CHANGE OVER SWITCH IS IN THE "WINTER" POSITION, VALVES V-1 AND V-2 CONTROL CIRCUITS SHALL BE DEENERGIZED. 15 PSI CONTROL AIR SHALL BE SENT TO THE RECEIVER-CONTROLLER OF THE HOT WATER TEMPERATURE CONTROL VALVE V-3. THE RECEIVER-CONTROLLER SHALL MAINTAIN 180°F ACCORDING TO THE RESET SCHEDULE SHOWN. 15 PSI CONTROL AIR SHALL ALSO BE SUPPLIED TO P.E. CHILLER WHICH WILL ENERGIZE THE BOILER CONTROL CIRCUIT TO MAINTAIN 190°F BOILER WATER TEMPERATURE.

AIR HANDLER AND TERMINAL UNIT CHANGEOVER CONTROL.
TERMINAL UNIT HEATING/COOLING CHANGEOVER SHALL BE ACCOMPLISHED BY THE SAME "SUPERINTENDER" SWITCH SPECIFIED UNDER "CENTRAL SYSTEM CHANGEOVER CONTROL". WHEN THE CHANGEOVER SWITCH IS IN THE "SUMMER" POSITION, 20 PSI MAIN CONTROL AIR SHALL BE DELIVERED TO THE BUILDING AIR HANDLERS AND TERMINAL UNITS. INDEXING THEIR CONTROLS FOR HEATING OPERATION. WHEN THE CHANGEOVER SWITCH IS IN THE "WINTER" POSITION, 15 PSI MAIN CONTROL AIR SHALL BE DELIVERED TO THE AIR HANDLERS AND TERMINAL UNITS. INDEXING THEIR CONTROLS FOR COOLING OPERATION.

CHILLER (C-1) CONTROL.
THE AIR-COOLED WATER CHILLER, C-1, SHALL HAVE SELF CONTAINED CONTROLS WHICH SHALL START THE UNIT ON A DEMAND FOR COOLING. INTEGRAL CAPACITY CONTROLS SHALL OPERATE SYSTEM UNLOADERS TO MAINTAIN THE INDICATED CHILLED WATER TEMPERATURE. A FLOW SWITCH SHALL PREVENT THE CHILLER FROM STARTING UNLESS THERE IS A FLOW IN THE CHILLED WATER LINE. FOR SYSTEM CHANGEOVER FROM "HEAT" TO "COOL", SEE "CENTRAL SYSTEM CHANGEOVER CONTROL".

BOILER (B-1) CONTROL.
THE BOILER B-1 SHALL BE CONTROLLED BY A "HAND-OFF-AUTO" SWITCH. IN THE "HAND" POSITION THE PACKAGED BOILER CONTROLS SHALL BE ENERGIZED TO MAINTAIN A 190°F BOILER TEMPERATURE. IN THE "AUTO" POSITION THE PACKAGED BOILER CONTROLS SHALL BE ENERGIZED BY P.E. CHILLER SWITCH FROM THE "SUPERINTENDER" CHANGEOVER SWITCH. "CENTRAL SYSTEM CHANGEOVER CONTROL". PUMP P-3 SHALL BE ENERGIZED WITH THE PACKAGED BOILER CONTROLS.

CHILLED WATER PUMP (P-1) CONTROL.
PUMP P-1 SHALL BE CONTROLLED BY A "HAND-OFF-AUTO" SWITCH. IN THE "HAND" POSITION, PUMP P-1 SHALL BE ENERGIZED THROUGH RELAY ACTION EITHER WHEN THE CHILLER IS STARTED MANUALLY OR AUTOMATICALLY BY A PE SWITCH ACTIVATED BY THE SUPERINTENDER CHANGEOVER SWITCH. IN THE "AUTO" POSITION, PUMP P-1 SHALL RUN CONTINUOUSLY. FLOW SHALL BE SENSED BY A FLOW SWITCH AND VERIFIED BY A PANEL MOUNTED PILOT LIGHT.

DUAL TEMPERATURE PUMP (P-2) CONTROL.
PUMP P-2 SHALL BE CONTROLLED BY AN "ON-OFF" SWITCH. IN THE "ON" POSITION, PUMP P-2 SHALL RUN CONTINUOUSLY. FLOW SHALL BE VERIFIED BY A PANEL MOUNTED PILOT LIGHT.

DOMESTIC HOT WATER RECIRCULATING PUMP (P-3) CONTROL.
PUMP P-3 SHALL BE CONTROLLED BY AN "ON-OFF" SWITCH IN THE "ON" POSITION, PUMP P-3 SHALL RUN CONTINUOUSLY. FLOW SHALL BE VERIFIED BY A PANEL MOUNTED PILOT LIGHT.

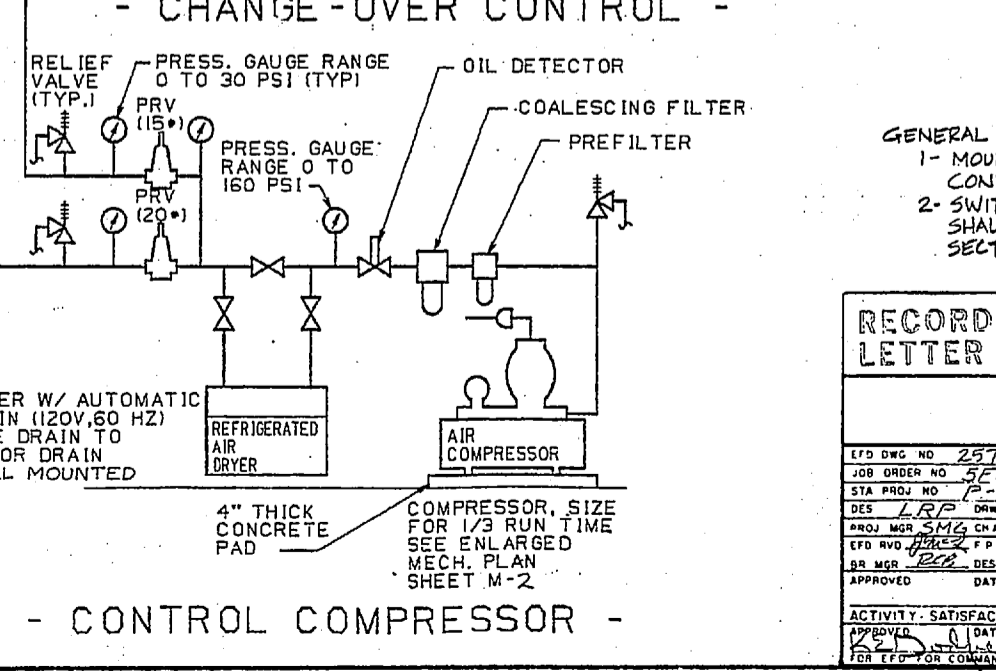
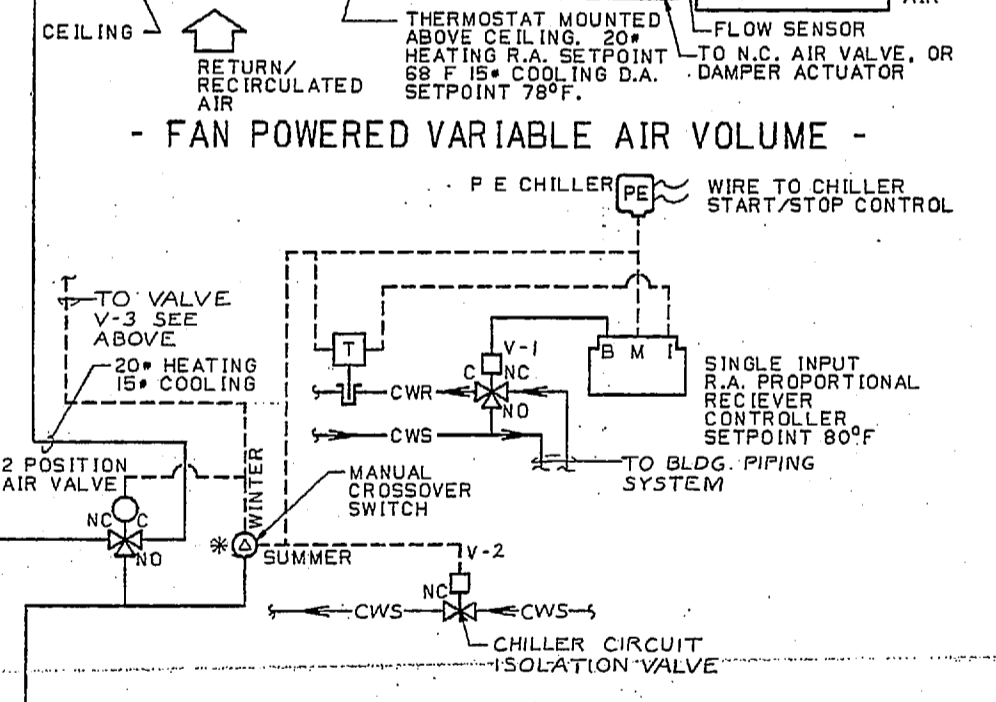
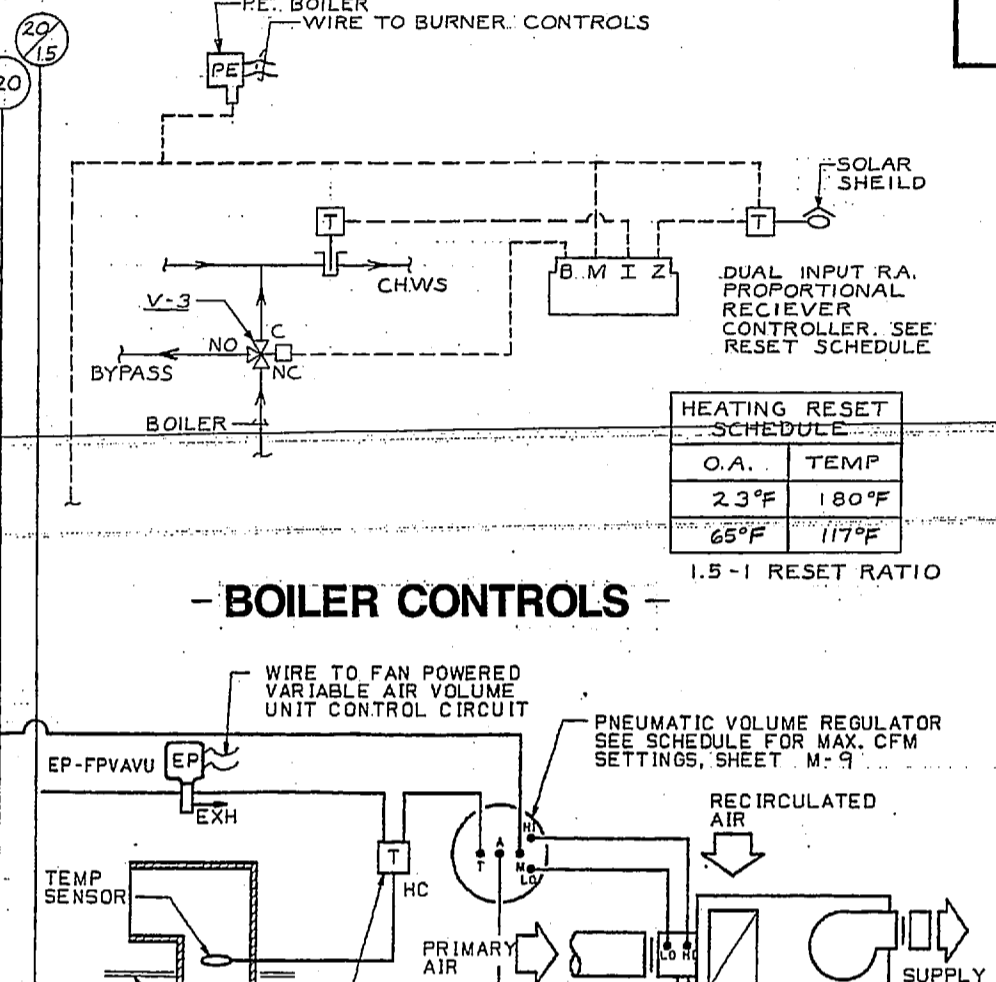
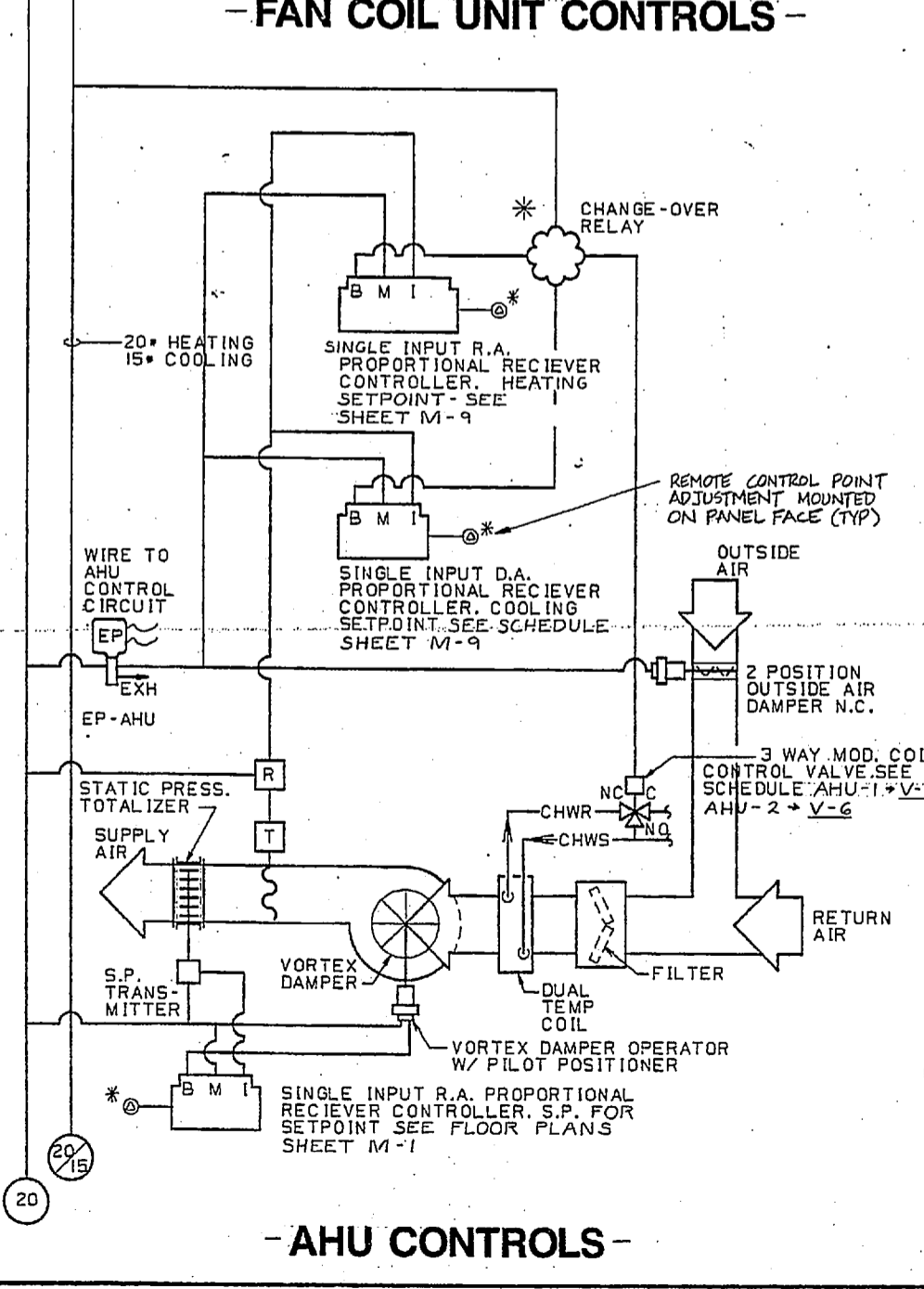
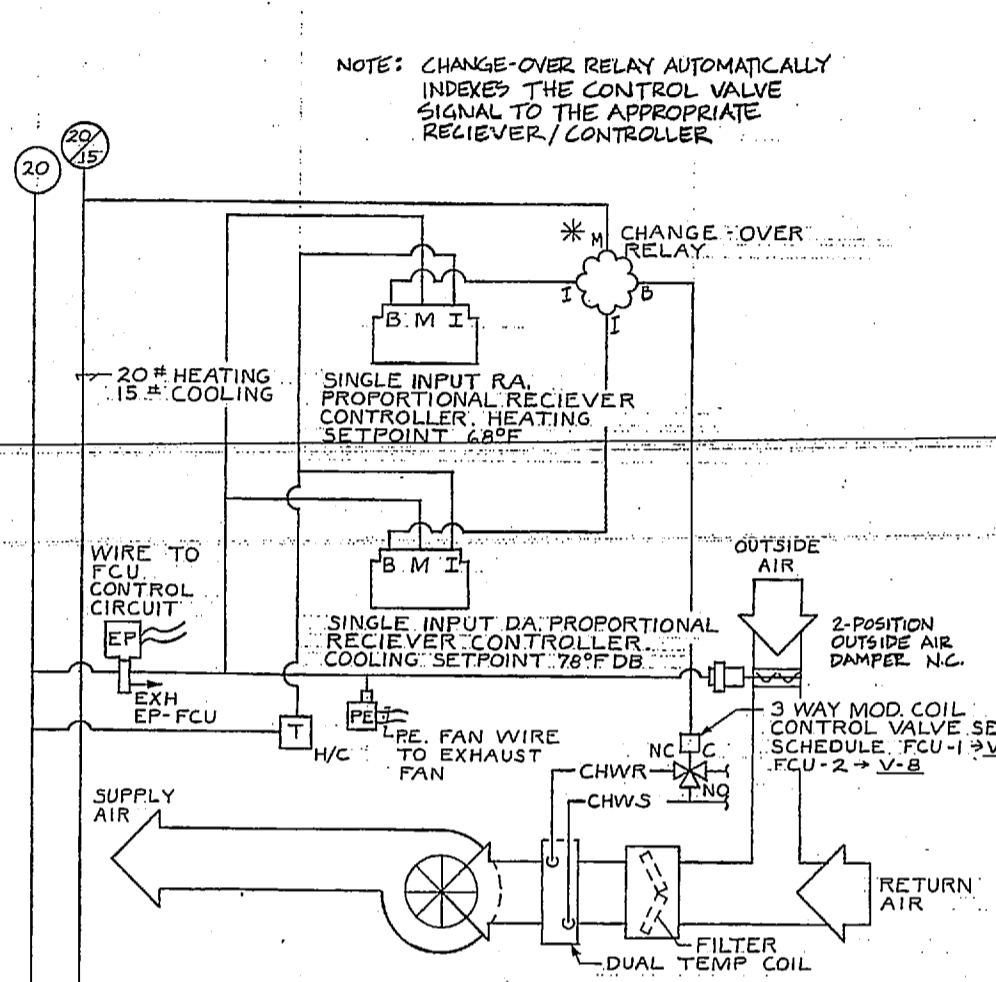
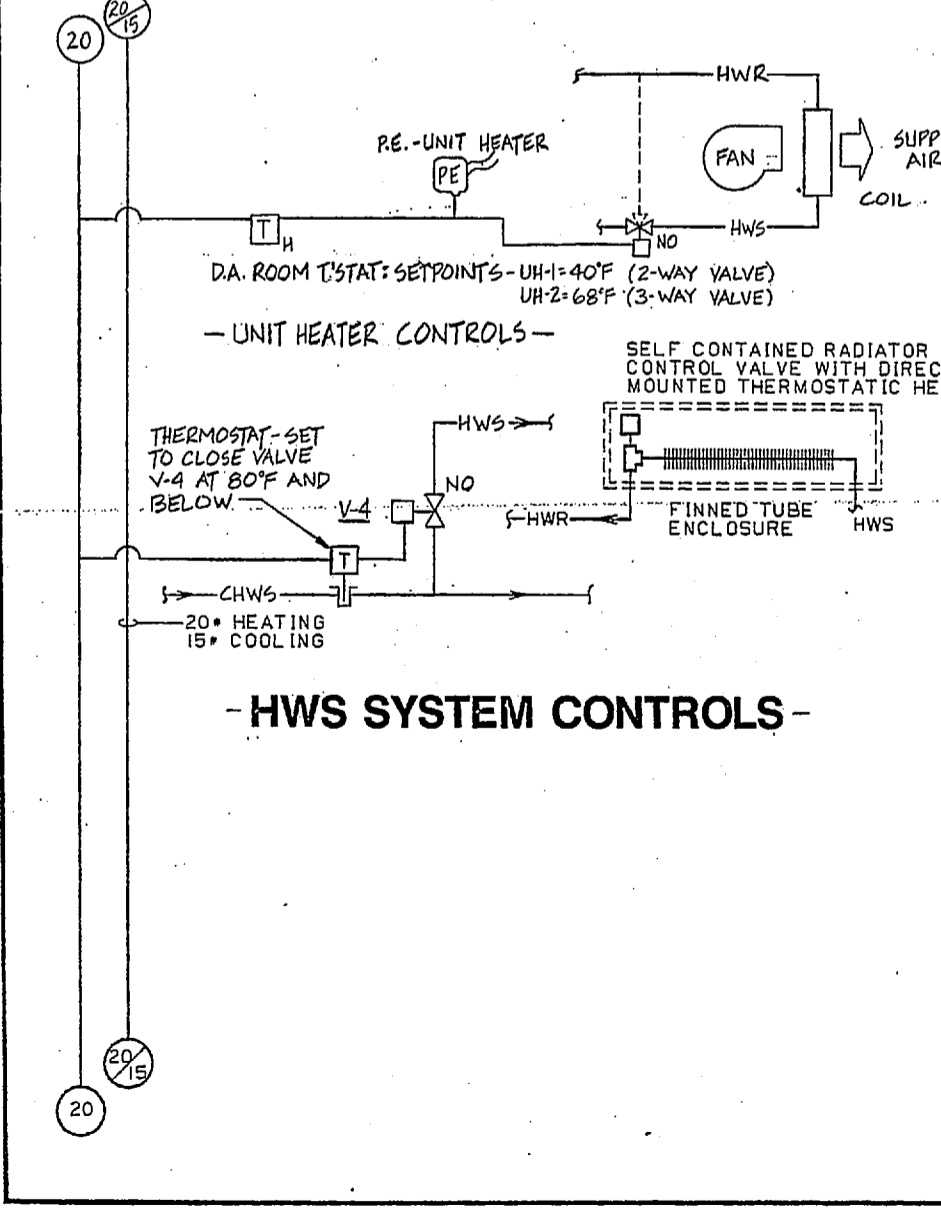
SUMP PUMP (P-4) CONTROL.
PUMP P-4 SHALL BE CONTROLLED BY AN "ON-OFF" SWITCH IN THE "ON" POSITION PUMP P-4 SHALL BE ENERGIZED BY A FLOAT SWITCH SET TO CLOSE AT A PREDETERMINED WATER LEVEL.

AIR HANDLING UNIT (AHU) CONTROL.
EACH AHU SHALL BE INDIVIDUALLY ENERGIZED BY AN "ON OFF" SWITCH LOCATED IN THE TEMPERATURE CONTROL PANEL. WITH THE SWITCH IN THE "ON" POSITION, THE AHU FAN SHALL ENERGIZE AND RUN CONTINUOUSLY. THROUGH EP-AHU, CONTROL AIR SHALL BE DELIVERED TO THE AHU PNEUMATIC CONTROL COMPONENTS AND TO THE OUTSIDE AIR DAMPER ACTIVATOR. THIS ACTIVATING THE AHU CONTROLS AND OPENING THE OUTSIDE AIR DAMPER. AN AHU'S ASSOCIATED FAN POWERED VARIABLE AIR VOLUME UNITS (FPVAVU) SHALL BE INTERLOCKED BY RELAY ACTION (SEE "FPVAVU CONTROL" SEQUENCE). THE AHU SUPPLY AIR TEMPERATURE SHALL BE CONTROLLED BY A SINGLE INPUT RECEIVER CONTROLLER IN THE "HEAT" MODE AND BY A SINGLE INPUT CONTROLLER IN THE "COOL" MODE. IN THE "HEAT" MODE, THE HEATING CONTROLLER SHALL MODULATE THE DUAL TEMPERATURE COIL CONTROL VALVE FULL OPEN TO MAINTAIN A SUPPLY AIR TEMPERATURE. IN THE "COOL" MODE THE COOLING CONTROLLER SHALL MODULATE THE DUAL TEMPERATURE COIL CONTROL VALVE OPEN TO MAINTAIN THE SUPPLY AIR TEMPERATURE. A COMMON SUPPLY AIR TEMPERATURE SENSOR SHALL BE USED FOR BOTH CONTROLLERS ON A GIVEN AHU. EACH AHU SHALL BE PROVIDED WITH A FREEZE/STAT. LOCATED IN THE RETURN HEATED AIR, WITH A SETPOINT OF 38 DEGREES FAHRENHEIT. SHOULD THE RETURN AIR TEMPERATURE FALL BELOW ITS SETPOINT, THE AHU FAN, THE ASSOCIATED CONTROL AIR SUPPLY, AND THE FPVAVU SHALL SHUT DOWN BY ACTION OF APPROPRIATE EP SWITCHES AND RELAYS. SHOULD THE FIRE ALARM CONTROLLER PANEL GO INTO ALARM CONDITION, A NORMALLY OPEN (N.O.) CONTACT IN THE FIRE-ALARM SHALL CLOSE, ACTIVATING A RELAY(S) TO DE-ENERGIZE AHU AND FPVAVU FANS AND OUTSIDE AIR DAMPERS.

AIR SUPPLY STATIC PRESSURE CONTROL.
A STATIC PRESSURE (S.P.) CONTROLLER SHALL BE PROVIDED FOR EACH AHU SUPPLY AIR DUCT WITH A DUCT S.P. SENSOR LOCATED AS INDICATED. ON A RISE IN SUPPLY AIR S.P. ABOVE THE SETPOINT OF THE S.P. CONTROLLER THE CONTROLLER SHALL GRADUALLY CLOSE THE AHU INLET WIRETAP DAMPER TO MAINTAIN ITS SETTING. THE REVERSE SHALL OCCUR ON A FALL IN SUPPLY AIR S.P.

AHU FAN SYSTEM CONTROLS.
ON A DROP IN TEMPERATURE BELOW 80°F IN THE CHWS LINE VALVE V-4 SHALL CLOSE STOPPING FLOW TO THE RADIATION LINES. ON A RISE IN TEMPERATURE THE REVERSE SHALL OCCUR.

FOR CONTINUATION - SEE SHEET M-9



CONTROL LEGEND

[Symbol]	HEATING THERMOSTAT
[Symbol]	VENTILATION THERMOSTAT
[Symbol]	HEATING/COOLING THERMOSTAT
[Symbol]	RESTRICTOR
[Symbol]	THERMOSTAT
[Symbol]	2-WAY CONTROL VALVE
[Symbol]	3-WAY CONTROL VALVE
[Symbol]	AIR VALVE
[Symbol]	EP SWITCH
[Symbol]	PE SWITCH
[Symbol]	EMCS MONITORING
[Symbol]	SENSOR WELL
[Symbol]	REVERSE ACTING
[Symbol]	DIRECT ACTING
[Symbol]	NORMALLY OPEN
[Symbol]	NORMALLY CLOSED
[Symbol]	COMMON
[Symbol]	OUTSIDE AIR
[Symbol]	CHILLED/HOT WATER RETURN
[Symbol]	CHILLED/HOT WATER SUPPLY
[Symbol]	HOT WATER RETURN
[Symbol]	HOT WATER SUPPLY
[Symbol]	CHILLED WATER RETURN
[Symbol]	CHILLED WATER SUPPLY
[Symbol]	DATA TERMINAL CABINET
[Symbol]	EXHAUST
[Symbol]	OVERLOAD
[Symbol]	HAND-OFF-AUTOMATIC
[Symbol]	MOTOR CONTACT
[Symbol]	MOTOR
[Symbol]	ELECTRIC-PNEUMATIC
[Symbol]	PNEUMATIC-ELECTRIC
[Symbol]	SPEED CONTROLLER
[Symbol]	CONTROL AIR (PSI)
[Symbol]	START/STOP INTERFACE
[Symbol]	MOTOR STARTER
[Symbol]	PRESSURE REDUCING VALVE
[Symbol]	MODULATING
[Symbol]	TWO POSITION
[Symbol]	COOLING
[Symbol]	HEATING
[Symbol]	FREEZE/STAT
[Symbol]	N.O. CONTACT
[Symbol]	N.C. CONTACT
[Symbol]	PILOT LIGHT
[Symbol]	RELAY
[Symbol]	DAMPER-ACTUATOR
[Symbol]	PANEL MOUNTED
[Symbol]	DIRECTION OF FLOW
[Symbol]	PRESSURE GAUGE

GENERAL NOTES
1- MOUNT ALL THE RECEIVER CONTROLLER IN THE CONTROL PANEL
2- SWITCHES AND PILOT LIGHTS ON CONTROL PANEL SHALL BE PROVIDED WITH LABELS PER SPEC SECTION 15901.

RECORD DRAWING
LETTER DATED JAN 31 1991

M-7

DEPARTMENT OF THE NAVY - NAVAL FACILITIES ENGINEERING COMMAND

NAVAL STATION: ATLANTIC DIVISION

NAVAL HOSPITAL: CAMP LEJEUNE, N.C.

BACHELOR ENLISTED QUARTERS

CONTROLS

LDW DWS NO 257770
JOB ORDER NO 555306
STA PROJ NO P-724
DESIGNER: J. D. DAV
PROJ MGR: S. M. C. ARCHER
EPO: J. P. C. C. C.
DESIGN DATE: 12/1/88
DATE: 1/31/91

ACTIVITY: SATISFACTORY TO

APPROVED: [Signature]

SEC CODE: 80091

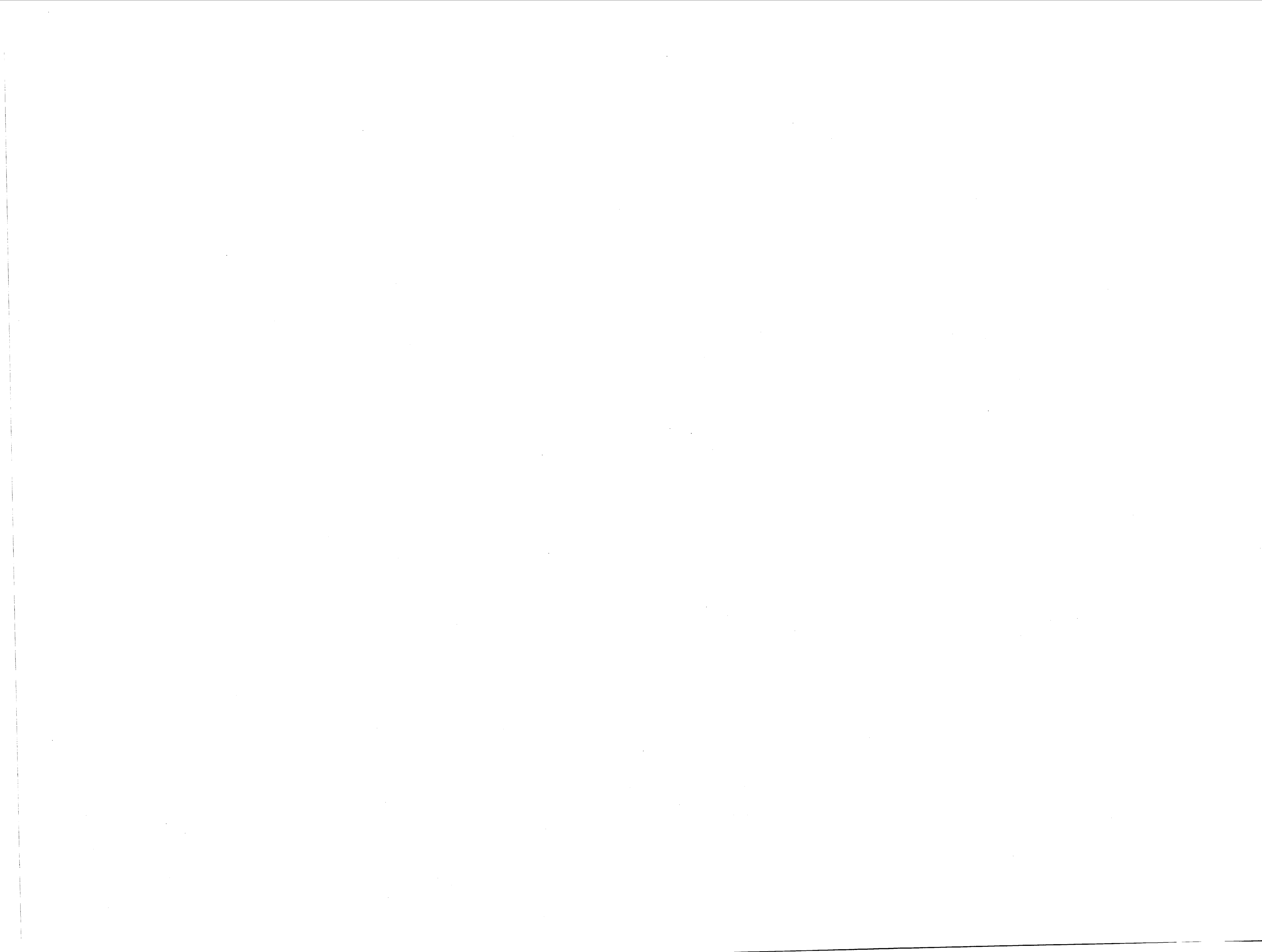
DATE: 4/5/770

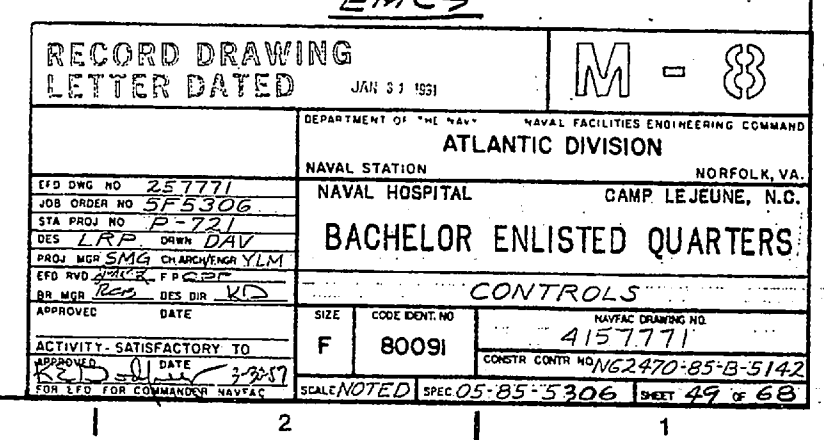
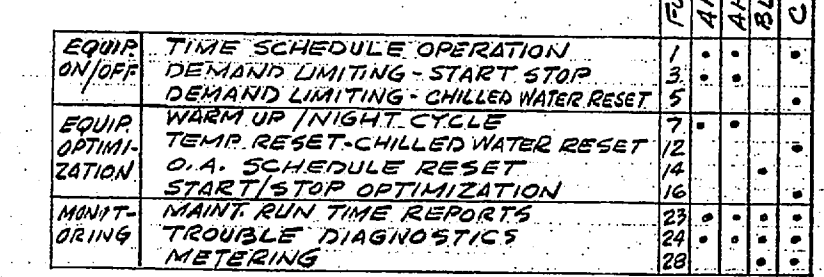
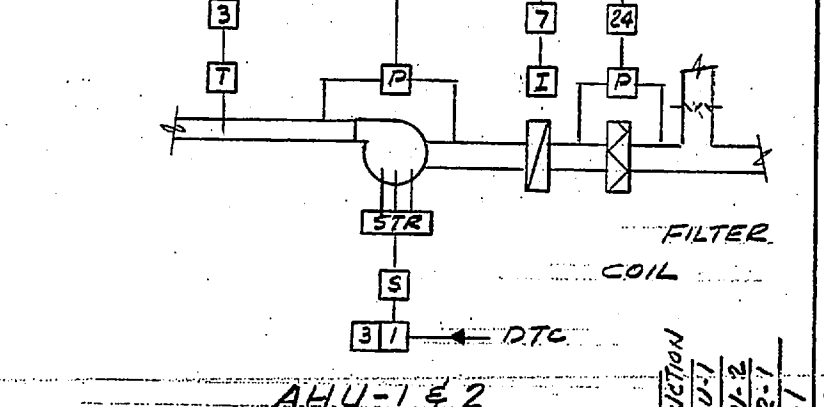
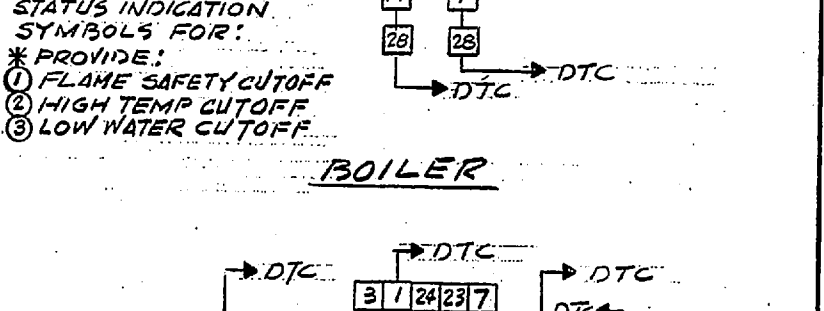
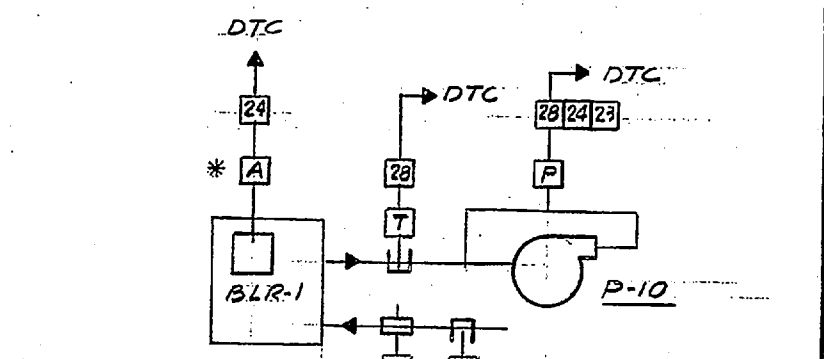
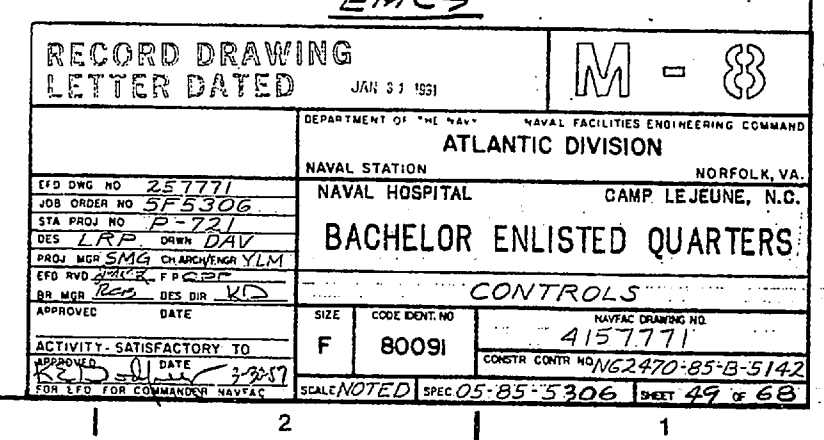
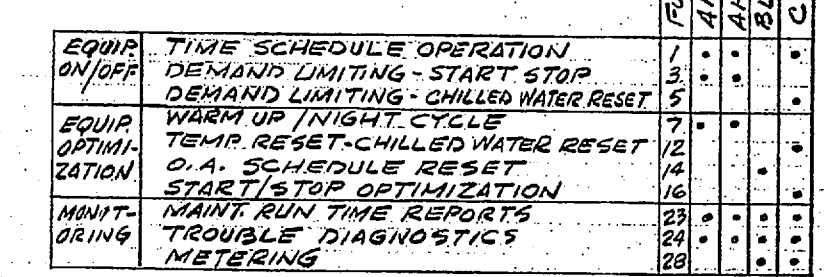
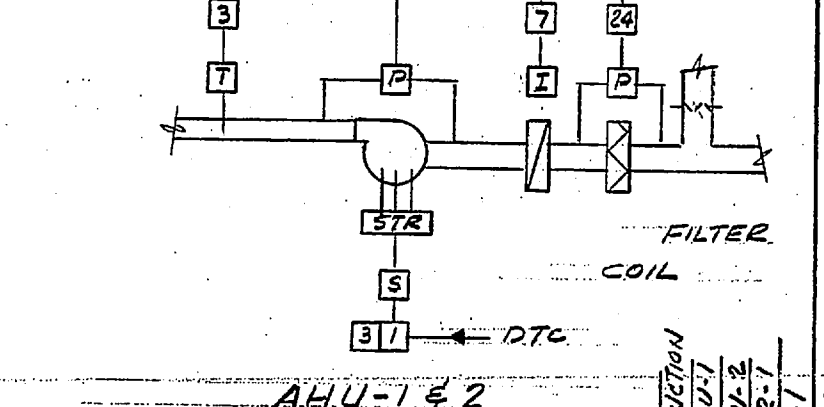
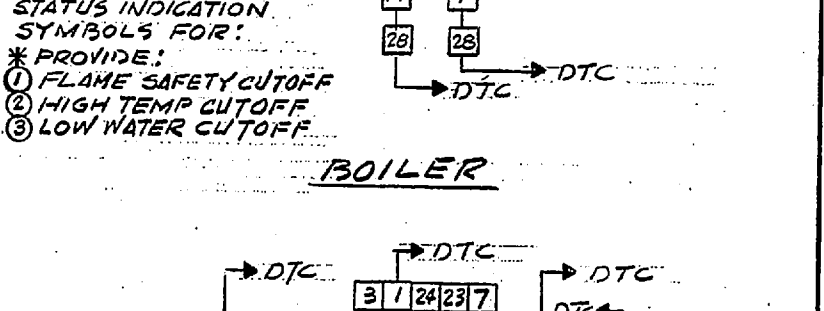
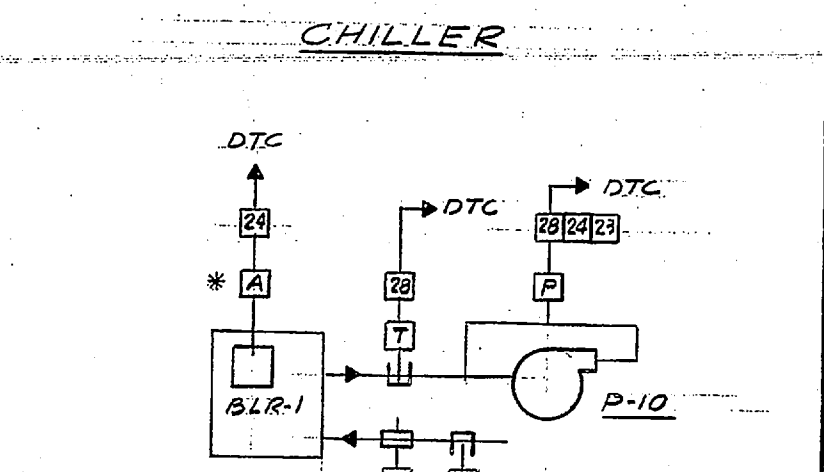
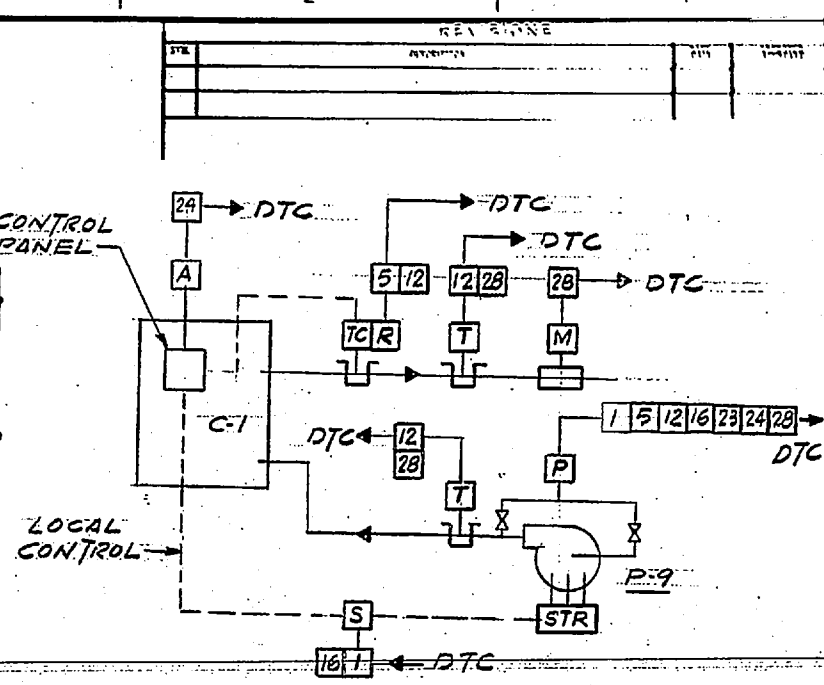
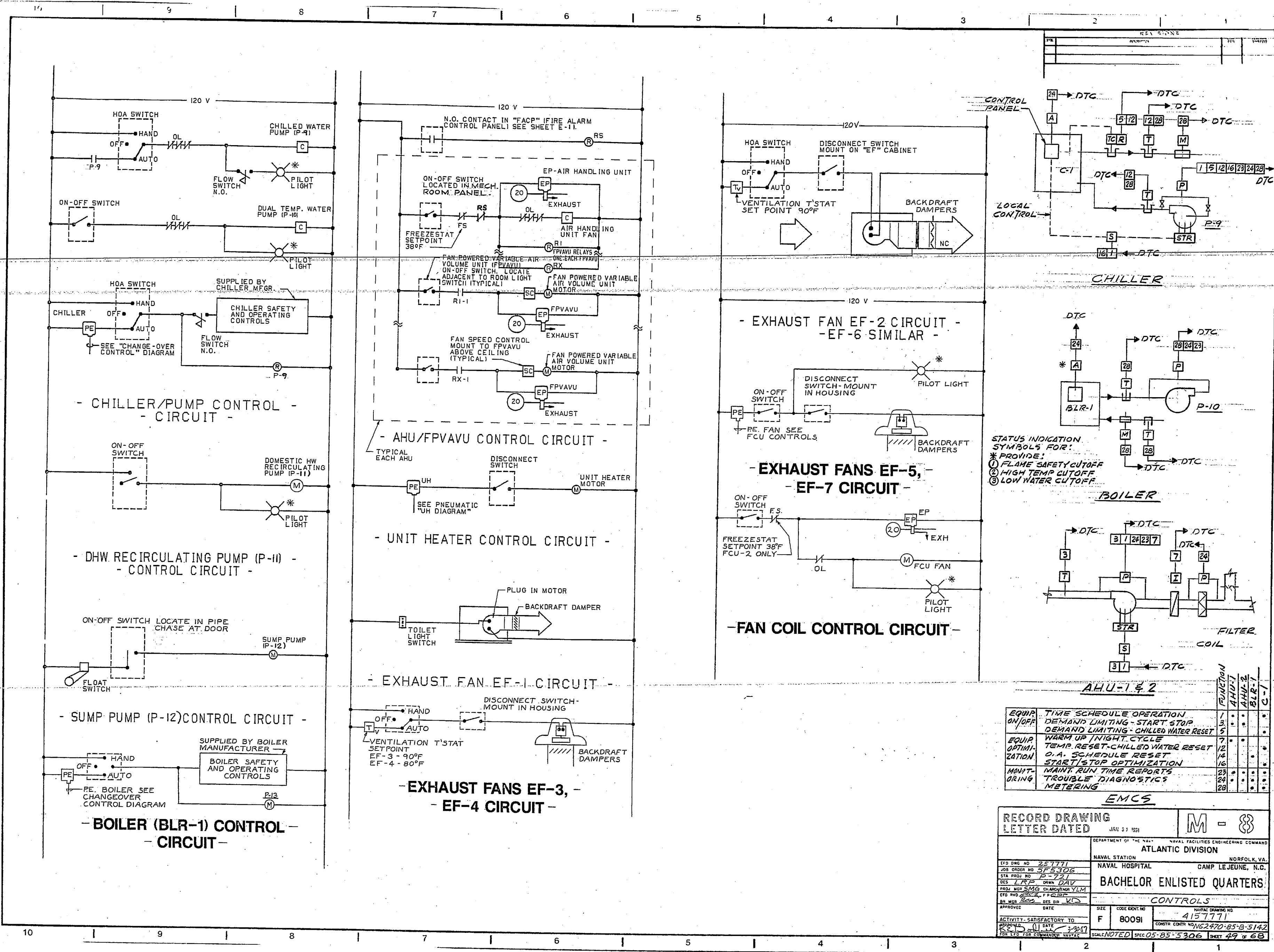
COGNIT. CONTR. NO: 762470-B5-B-5142

SCALE: UNNOTED

SPEC: 05-85-5306

SHEET: 48 of 68





STATUS INDICATION SYMBOLS FOR:
 * PROVIDE:
 ① FLAME SAFETY CUTOFF
 ② HIGH TEMP CUTOFF
 ③ LOW WATER CUTOFF

EQUIP.	FUNCTION	AAU-1	AAU-2	BLR-1	BLR-2
ON/OFF	TIME SCHEDULE OPERATION	1	1	1	1
ON/OFF	DEMAND LIMITING - START STOP	3	3	3	3
ON/OFF	DEMAND LIMITING - CHILLED WATER RESET	5	5	5	5
ON/OFF	WARM UP / NIGHT CYCLE	7	7	7	7
ON/OFF	TEMP. RESET - CHILLED WATER RESET	12	12	12	12
ON/OFF	O.A. SCHEDULE RESET	14	14	14	14
ON/OFF	START/STOP OPTIMIZATION	16	16	16	16
ON/OFF	MAINT. RUN TIME REPORTS	21	21	21	21
ON/OFF	TROUBLE DIAGNOSTICS	22	22	22	22
ON/OFF	METERING	23	23	23	23

RECORD DRAWING LETTER DATED JAN 23 1951

DEPARTMENT OF THE NAVY NAVAL FACILITIES ENGINEERING COMMAND
 ATLANTIC DIVISION

NAVAL STATION NORFOLK, VA.
 NAVAL HOSPITAL CAMP LEJEUNE, N.C.

BACHELOR ENLISTED QUARTERS

CONTROLS

APPROVED DATE NAVYAC DENTY NO. 415771
 ACTIVITY - SATISFACTORY TO F 80091

CONTR. CTR. NO. 162470-85-B-5142
 SCALE NOTED SPEC 05-85-5306 SHEET 49 OF 68



AIR HANDLING UNIT SCHEDULE
MARK CFM ESP MAX. H.P. VOLTS/PH. NEW STARTER TOTAL (BTUH) SENS. (BTUH) EAT (°FDB) EAT (°FWS) LAT (°FDB) LAT (°FWS) GPM APD (IN. H2O) WPD (FT. H2O) HEATING PERFORMANCE BTUH EAT (°FDB) LAT (°FDB) GPM PD (FT. H2O) VALVE LOCATION ROOM REMARKS

* E.S.P. DOES NOT INCLUDE COIL APD
* E.V.T. FOR BOTH UNITS IS 45°F

FAN COIL UNIT SCHEDULE
MARK TOTAL BTUH SENS. BTUH GPM EWT EAT WPD MBH EAT EWT CFM APD MOTOR

1 REOB/REWB
2 PT H2O
3 WET COIL CFM

FIN TUBE RADIATION SCHEDULE
MARK LOAD BTUH/LF LENGTH GPM EWT EAT

BOILER SCHEDULE
MARK LOAD BTUH EWT LWT GPM GPH MIN EFF

AIR COOLED CHILLER SCHEDULE
MARK LOAD (BTUH) EWT LWT GPM WPD MAX POWER VOLTS/PH. NEMA STARTER STEPS UNLOADING (%)

UNIT HEATER SCHEDULE
MARK LOAD (BTUH) CFM EAT EWT LWT GPM WPD HP RPM VOLTS/PH. LOCATION

1. UH-2 IS CEILING MOUNTED CABINET TYPE UNIT HEATER

FAN SCHEDULE
MARK CFM ESP MAX. HP. MAX. RPM VOLTS/PH. TYPE APPLICATION NEMA STARTER LOCATION REMARKS

NOTE: ALL FANS TO BE PROVIDED WITH BACKDRAFT DAMPERS

PUMP SCHEDULE
MARK GPM HEAD (FT. H2O) MAX. HP. VOLTS/PH. RPM SERVICE NEW STARTER TYPE REMARKS

FPFAV SCHEDULE
ROOM # PRIMARY AIR INLET ROOM # PRIMARY AIR INLET

NOTES: (1) ALL FPFAV BOXES SHALL BE PROVIDED WITH FACTORY MOUNTED THRU AIR FILTERS.
(2) PROVIDE INTEGRAL DISCONNECT SWITCH ON ALL UNITS.
(3) ALL FPFAV FANS SHALL BE 120V/1Ø/60HZ, MAXIMUM 1/10 HP, AND CAPABLE OF 2Ø/208V AT 0.1" E.S.P.

CONTROL VALVE SCHEDULE
MARK UNIT SERVED SERVICE TYPE ACTION CAPACITY GPM LOCATION MIN CV MAX ΔP NOM SIZE REMARKS

EXHAUST FANS EF-2, EF-3, EF-4, EF-5 CONTROL
EXHAUST FANS EF-2, EF-3, EF-4, & EF-5 SHALL BE CONTROLLED BY A "MIX-OFF/AUTO" SWITCH. IN THE "MIX-OFF" POSITION THE FANS SHALL RUN CONTINUOUSLY. IN THE "AUTO" POSITION, ON A RISE IN TEMPERATURE ABOVE THE SET POINT THE FAN SHALL ENGULGE. ON A FALL IN TEMPERATURE THE REVERSE SHALL OCCUR.

REGISTER & GRILLE SCHEDULE
MARK CFM NECK SIZE MAX. SP. IN WG APPLICATION OPPOSED BLADE REMARKS

RECORD DRAWING LETTER DATED
DEPARTMENT OF THE NAVY NAVAL FACILITIES ENGINEERING COMMAND
NAVAL STATION NORFOLK, VA
NAVAL HOSPITAL CAMP LEJEUNE, N.C.
BACHELOR ENLISTED QUARTERS
MECHANICAL SCHEDULES
DATE 4/5/77
CODE 80091
DRAWN BY 2/20/77
CHECKED BY 2/20/77
SCALE 1/8" = 1'-0"

REVISIONS		
NO.	DESCRIPTION	DATE

LEGEND

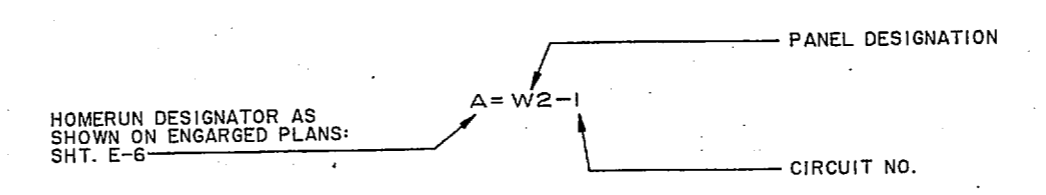
SYMBOL	DESCRIPTION
	FLUORESCENT LIGHTING FIXTURE
	FLUORESCENT LIGHTING FIXTURE W/EMERGENCY LIGHTING BATTERY PACK
	INCANDESCENT OR HIGH INTENSITY DISCHARGE LIGHTING FIXTURE-CEILING MOUNTED
	INCANDESCENT OR HIGH INTENSITY DISCHARGE LIGHTING FIXTURE-WALL MOUNTED
	EXIT LIGHTING FIXTURE CEILING MOUNTED
	DIRECTIONAL ARROW WHEN USED
	LIGHTING FIXTURE TYPE SYMBOL. SEE LIGHTING FIXTURE SCHEDULE ON THIS SHEET
	DUPLEX CONVENIENCE RECEPTACLE, 125 VAC., 20 A. MOUNT 18" A.F.F. U.O.N.
	GROUND FAULT INTERRUPTER FEED THRU TYPE RECEPTACLE, 125 VAC., 20 A. MOUNT 48" A.F.F. U.O.N.
	CLOCK OUTLET, 125 VAC., 15 A. MOUNT 7'-0" A.F.F.
	DRYER RECEPTACLE-NEMA 14-30, 240 VAC., 30 A. MOUNT 36" A.F.F.
	SINGLE POLE TOGGLE SWITCH, 120/277 VAC. 20A. MOUNT 48" A.F.F. LOWER CASE SUBSCRIPT WHEN USED. INDICATES FIXTURE CONTROLLED.
	THREE-WAY TOGGLE SWITCH, 120/277 VAC., 20 A. MOUNT 46" A.F.F.
	ELECTRICAL EQUIPMENT CONNECTION.
	ELECTRICAL PANELBOARD-SURFACE MOUNTED
	ELECTRICAL PANELBOARD-FLUSH MOUNTED
	BRANCH CIRCUIT IN CONDUIT, LOCATED IN WALL, CEILING, FLOOR OR ABOVE DROP CEILING. TICK MARKS INDICATE NUMBER OF CONDUCTORS IF OTHER THAN 2 #12 & 1 #12 GROUND. (N) INDICATES GROUND
	HOMERUNS TO PANEL. PANEL CIRCUIT DESIGNATIONS INDICATED
	JUNCTION BOX
	MOTOR CONNECTION-HP INDICATED
	MAGNETIC MOTOR CONTROLLER
	DISCONNECT SWITCH, 240 VAC., 30 A., 3-P., IN A NEMA 1 ENCLOSURE U.O.N.
	TELEPHONE OUTLET W/BLANK COVER PLATE (IN SLEEPING ROOMS). 1/2" C. WITH BUSHING STUBBED INTO PIPE CHASE. MT. OUTLET 18" A.F.F.
	WALL TELEPHONE OUTLET W/BLANK COVER PLATE. MT. 60" A.F.F.
	TELEPHONE OUTLET (ADMIN OR OFFICE AREAS) MT. 18" A.F.F. U.O.N.
	HIGH INTENSITY DISCHARGE LIGHTING FIXTURE RECESSED CEILING MOUNTED
	FIRE ALARM CONTROL PANEL- MTG. 4'-0" A.F.F.
	SINGLE-STATION, RESIDENTIAL-TYPE SMOKE DETECTOR HARD-WIRED TO UNSWITCHED LEG OF ADJACENT 120 VAC. LIGHTING CIRCUIT
	FIRE ALARM HORN- MOUNT 6" BELOW CEILING
	RADIO FIRE ALARM TRANSMITTER- MOUNT BELOW FACP
	FIRE ALARM MANUAL STATION-MOUNT 46" A.F.F.
	CATV SYSTEM OUTLET-MOUNT 18" A.F.F.
	INTERCOM SYSTEM REMOTE STATION FLUSH MT. IN WALL 7'-0" A.F.F.
	PHOTOCELL SWITCH
	FIXED TEMP./ RATE-OF-RISE HEAT DETECTOR- CEILING MTG.
	FIXED TEMP. HEAT DETECTOR- CEILING MTG.
	DUCT MOUNTED SMOKE DETECTOR
	MANUAL MOTOR STARTER WITH OVERLOAD
	DUCT SMOKE DETECTOR

ABBREVIATIONS

C.	-----	CONDUIT
EWC	-----	ELECTRIC WATER COOLER
EXIST	-----	EXISTING
GND.	-----	GROUND
GFI	-----	GROUND FAULT INTERRUPTER
MHT.	-----	MOUNTING HEIGHT
MT.	-----	MOUNT
PNL	-----	PANEL
U.O.N.	-----	UNLESS OTHERWISE NOTED
WP	-----	WEATHERPROOF
A.F.F.	-----	ABOVE FINISHED FLOOR
A.F.G.	-----	ABOVE FINISHED GRADE
CATV	-----	COMMUNITY ANTENNA TELEVISION (CABLE TV)
REQ'D	-----	REQUIRED
FPVAV	-----	FAN POWERED VARIABLE AIR VOLUME
LWRS	-----	LITE WHITE, RAPID START

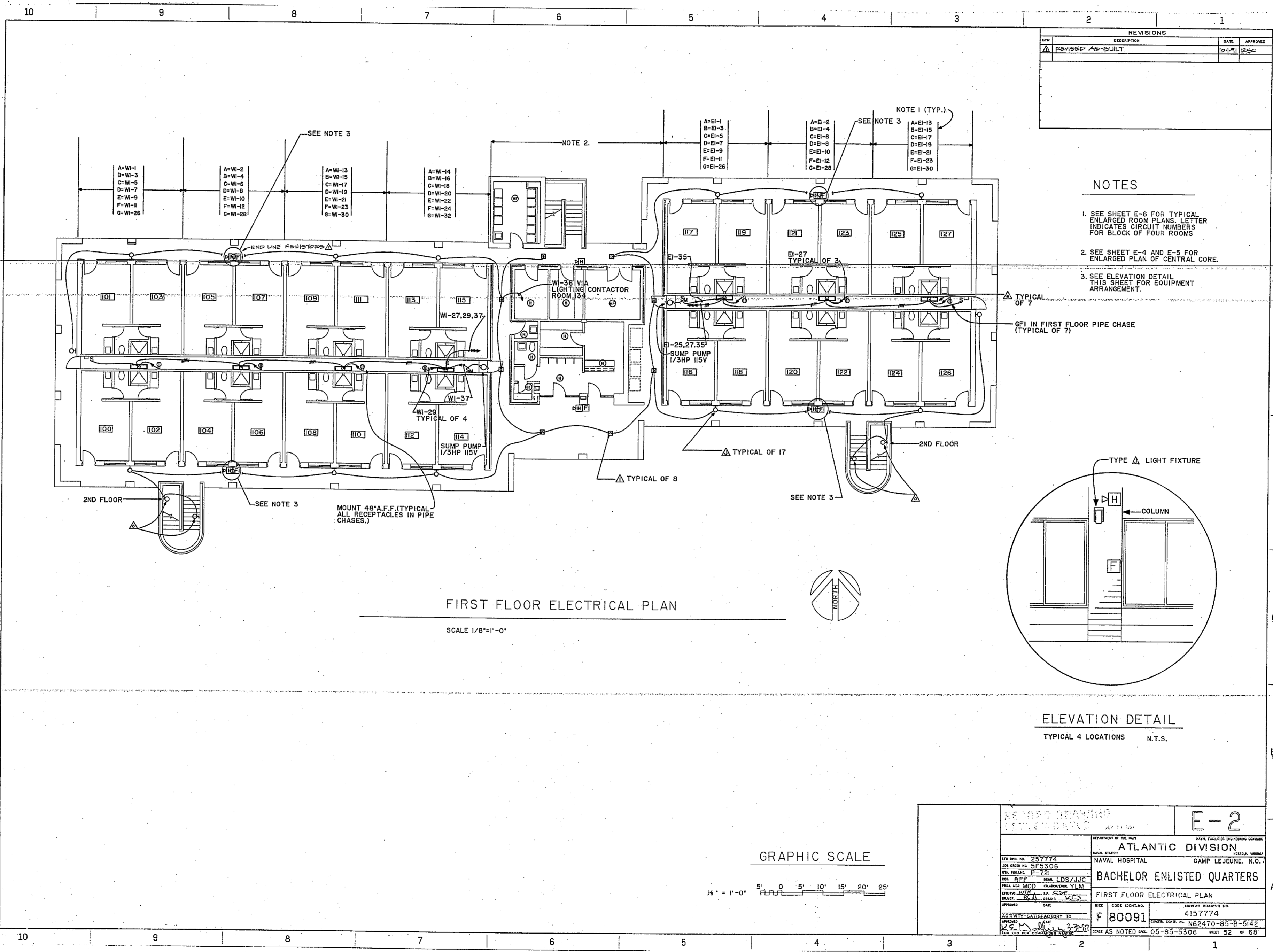
NOTES AND CIRCUIT DESIGNATOR INFORMATION

1. --- CIRCUITS FOR INDIVIDUAL UNITS ARE LISTED ON THE FLOOR PLANS (SHEETS E-2 AND E-3) AS FOLLOWS:



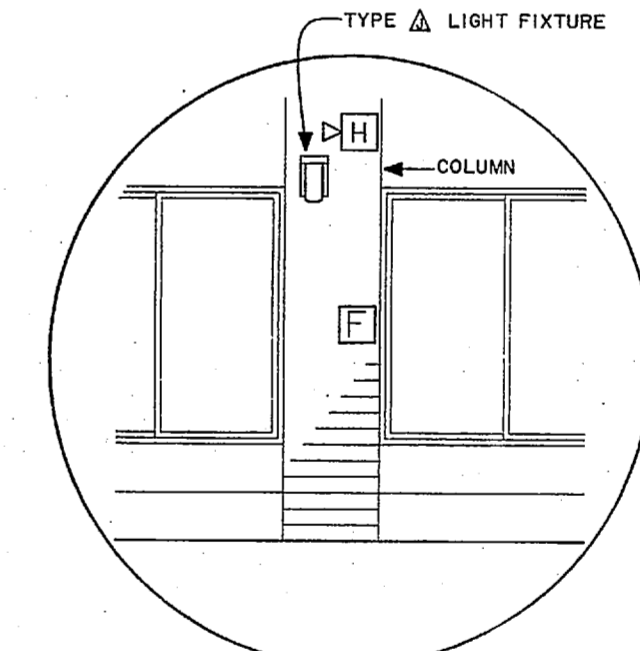
LIGHTING FIXTURE SCHEDULE					
FIXTURE SYMBOL	LAMP DIV PLATE NO. & TYPE SEE DETAIL ON SHEETS E-13 & E-14.	NUMBER AND TYPE OF LAMPS	VOLT	MOUNTING	REMARKS
△ NL-14		2-F34T12 LWRS	120	SURFACE CEILING	PROVIDE 2 LAMP FIXTURE
△ NL-1 TYPE A		2-F34T12 LWRS	120	SURFACE CEILING	
△ NL-7 TYPE A		1-F34T12 LWRS	120	SURFACE CEILING	
△ NL-4 TYPE B		2-F30T12 LWRS	120	WALL MT. CENTER OVER MIRROR	
△ NL-6 TYPE A		2-F34T12 LWRS	120	SURFACE CEILING	
△ NL-46 TYPE C		1-22W CIRCLINE	120	SURFACE CEILING	POLYCARBONATE LENS
△ PORCELAIN SOCKET		1-60 W INC	120	SURFACE CEILING U.O.N.	
△ NL-8		2-F34T12 LWRS	120	SURFACE CEILING	
△	SEE DETAIL SHEET E-14	1-70 WATT HPS	120	RECESSED CEILING	
△ NL-26 TYPE B		1-18 WATT LPS	120	WALL MT 7" A.F.F.	
△	SEE DETAIL SHEET E-13	1-75W INC	120	RECESSED CEILING	SUITABLE FOR DAMP LOCATIONS
△ XL-1, XL-23D, XL-31C		1-150W HPS	208	POLE 30' AFG	IES TYPE III CUTOFF
△ NL-7 TYPE B		2-F34T12 LWRS	120	WALL MT 7" AFF	
△ NL-48 TYPE B		2-20 T6 1/2	120	SURFACE CEILING	SELF POWERED BATTERY TYPE
△	SEE DETAIL SHEET E-14	70W HPS	120	RECESSED WALL 2" ABOVE STAIRS	
△ XL-10, XL-22A		1-150W HPS	208	POLE 10' AFG	BUFF. NATURAL POLISHED, AGGREGATE FINISH POLE
△ NL-25 D		1-70W HPS	120	WALL MT 16" AFG U.O.N.	

		<h2 style="margin: 0;">E-1</h2>	
DEPARTMENT OF THE NAVY NAVAL DIVISION		NAVAL HOSPITAL CAMP LEJEUNE, N.C.	
TITLE: LEGEND & FIXTURE SCHEDULE DRAWING NO.: 4157773 SHEET NO.: 51 OF 68		DATE: 05-85-5306	



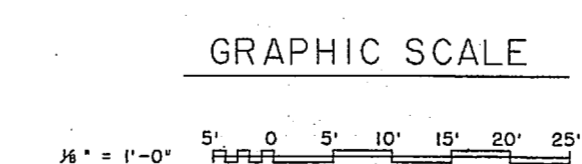
REVISIONS			
NO.	DESCRIPTION	DATE	APPROVED
1	REVISED AS-BUILT	10-1-74	ESC

- NOTES**
1. SEE SHEET E-6 FOR TYPICAL ENLARGED ROOM PLANS. LETTER INDICATES CIRCUIT NUMBERS FOR BLOCK OF FOUR ROOMS.
 2. SEE SHEET E-4 AND E-5 FOR ENLARGED PLAN OF CENTRAL CORE.
 3. SEE ELEVATION DETAIL THIS SHEET FOR EQUIPMENT ARRANGEMENT.



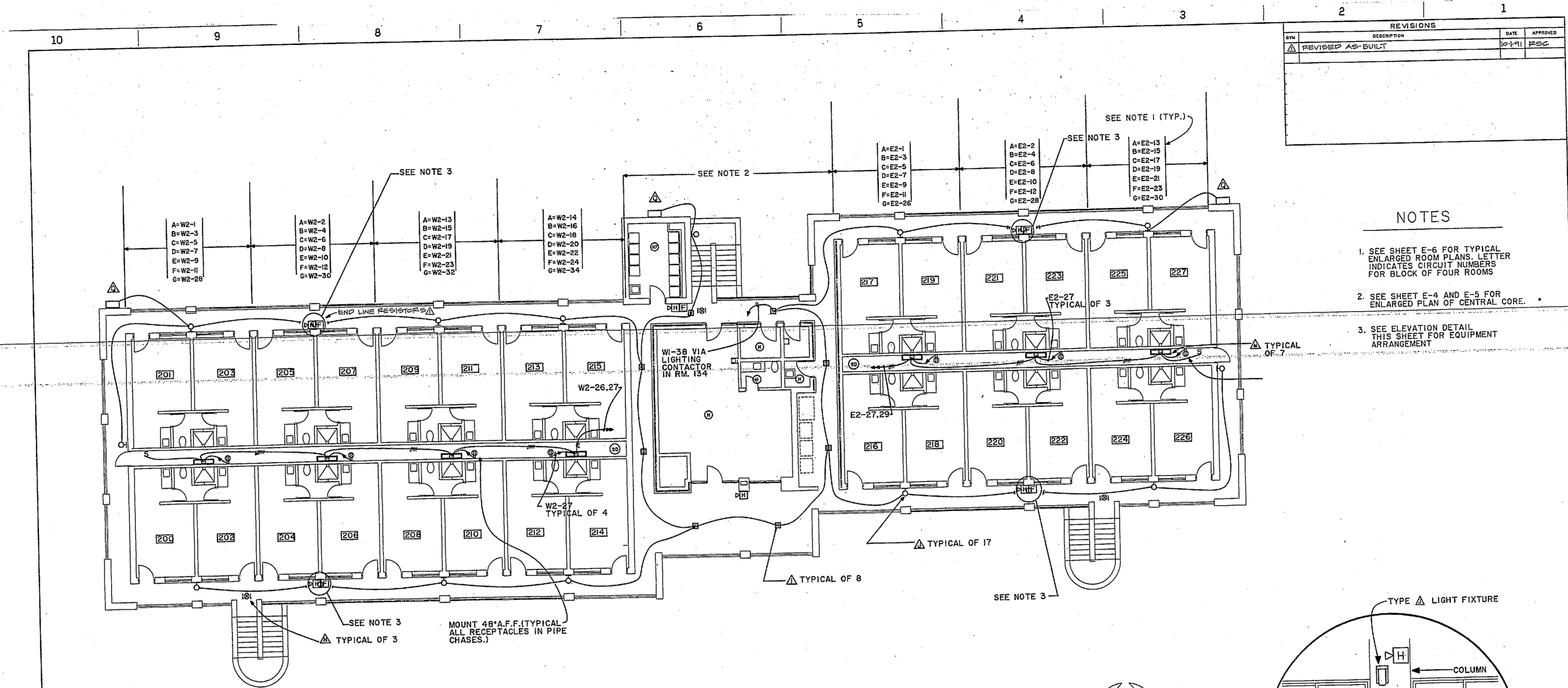
ELEVATION DETAIL
TYPICAL 4 LOCATIONS N.T.S.

FIRST FLOOR ELECTRICAL PLAN
SCALE 1/8"=1'-0"



DEPARTMENT OF THE NAVY NAVAL FACILITIES ENGINEERING DIVISION ATLANTIC DIVISION NAVAL HOSPITAL CAMP LEJEUNE, N.C.		E-2	
BACHELOR ENLISTED QUARTERS FIRST FLOOR ELECTRICAL PLAN		HANFAC DRAWING NO. 4157774 SHEET NO. NG2470-85-B-5142 SHEET 52 OF 68	
LTR NO. 257774 JOB ORDER NO. 5F5306 DTL. REV. E-22 DES. REF. LBS/JJC FILE NO. MCD DRAWN BY: [Signature] APPROVED: [Signature]	SIZE: F CODE IDENT. NO.: 80091	SHEET AS NOTED ON: 05-65-5306	





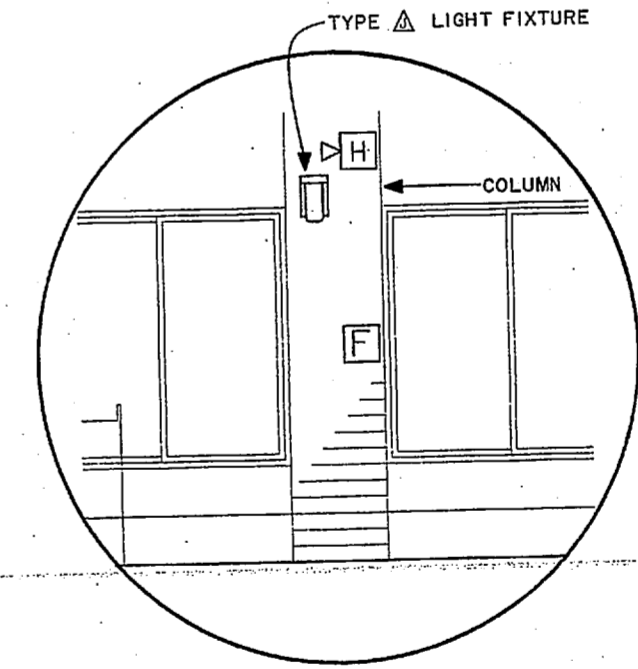
REVISIONS			
NO.	DESCRIPTION	DATE	APPROVED
1	REVISED AS-BUILT	10-1-61	RSC

NOTES

- SEE SHEET E-6 FOR TYPICAL ENLARGED ROOM PLANS. LETTER INDICATES CIRCUIT NUMBERS FOR BLOCK OF FOUR ROOMS
- SEE SHEET E-4 AND E-5 FOR ENLARGED PLAN OF CENTRAL CORE.
- SEE ELEVATION DETAIL THIS SHEET FOR EQUIPMENT ARRANGEMENT

SECOND FLOOR ELECTRICAL PLAN

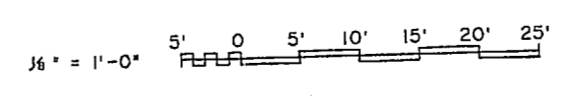
SCALE 1/8"=1'-0"



ELEVATION DETAIL

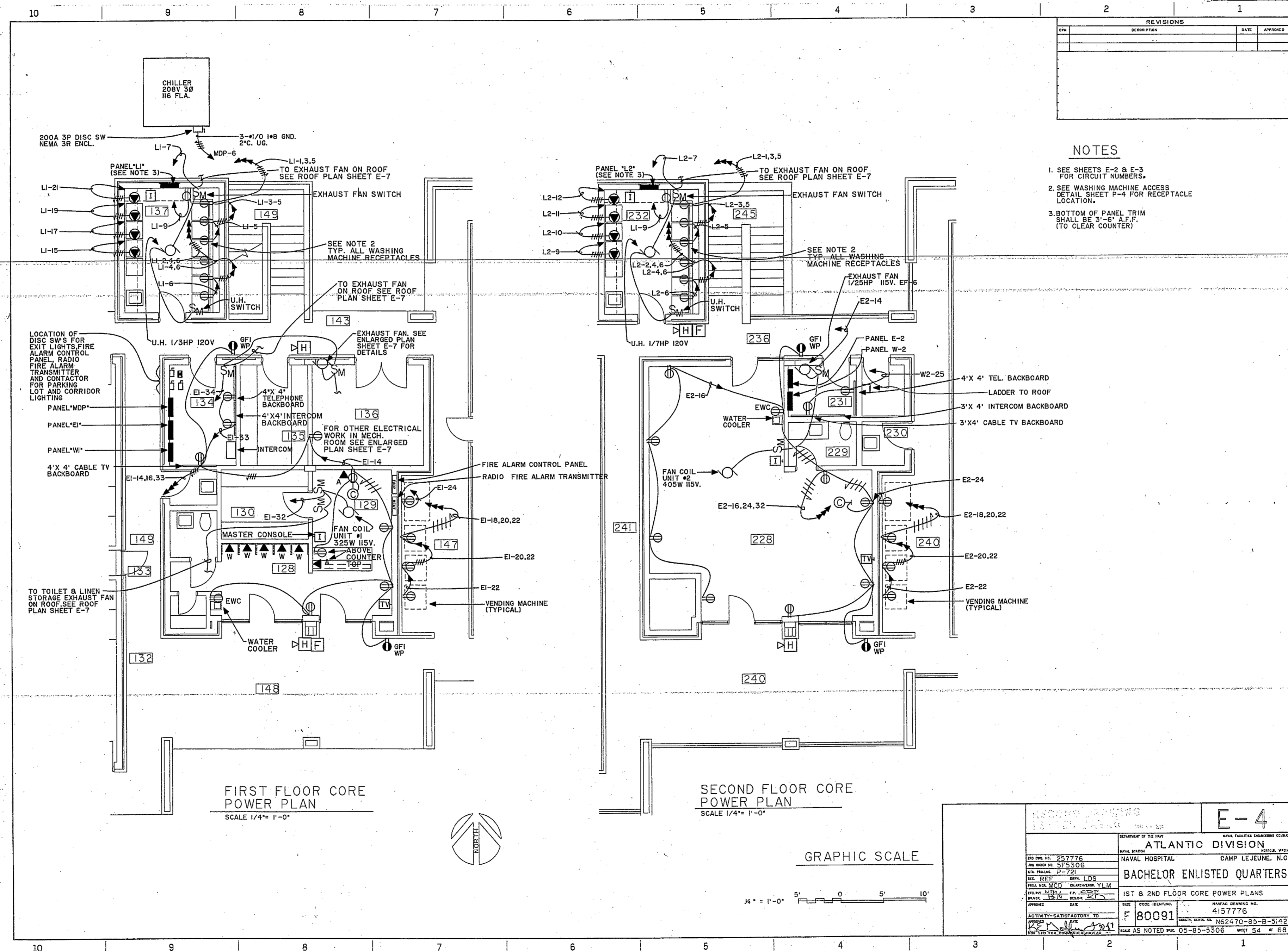
TYPICAL 4 LOCATIONS N.T.S.

GRAPHIC SCALE



DRAWN BY: [Signature]		E-3	
DEPARTMENT OF THE NAVY			
NAVAL DIVISION			
NAVAL HOSPITAL CAMP LEJEUNE, N.C.			
BACHELOR ENLISTED QUARTERS			
SECOND FLOOR PLAN ELECTRICAL			
DATE: 3-30-61	CODE IDENTIFY: F 80091	NAVY DRAWING NO.: 415775	
ACTIVITY: BATHFACTORY TO	DATE: 3-30-61	ENGINEER: N62470-B5-B-5142	
SCALE AS NOTED		NO. 05-85-5306	SHEET 53 OF 68



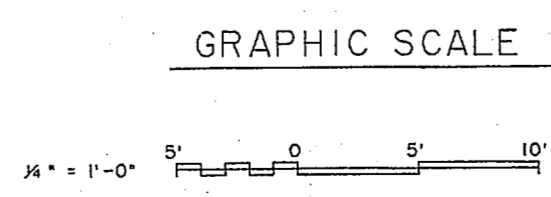


REVISIONS		
NO.	DESCRIPTION	DATE

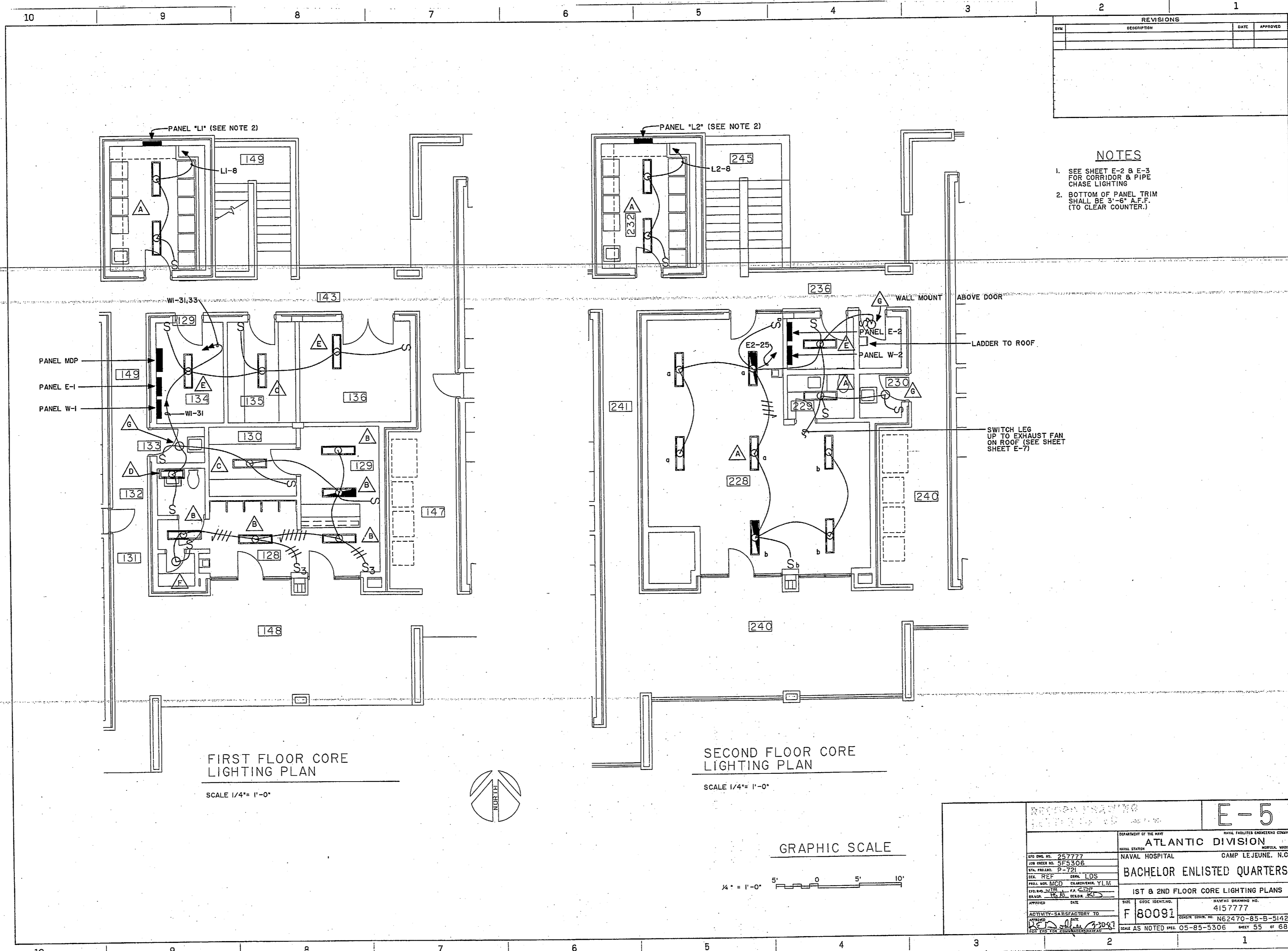
- NOTES**
- SEE SHEETS E-2 & E-3 FOR CIRCUIT NUMBERS.
 - SEE WASHING MACHINE ACCESS DETAIL SHEET P-4 FOR RECEPTACLE LOCATION.
 - BOTTOM OF PANEL TRIM SHALL BE 3'-6" A.F.F. (TO CLEAR COUNTER)

FIRST FLOOR CORE POWER PLAN
SCALE 1/4" = 1'-0"

SECOND FLOOR CORE POWER PLAN
SCALE 1/4" = 1'-0"



NAVAL FACILITIES ENGINEERING COMMAND ATLANTIC DIVISION NAVAL HOSPITAL CAMP LEJEUNE, N.C.	
BACHELOR ENLISTED QUARTERS 1ST & 2ND FLOOR CORE POWER PLANS	
DTD DWG. NO. 257776 JOB ORDER NO. 545306 EST. NUMBER 2-72 SEC. REF. CHN. L.D.S. PROJ. MGR. MCD. CHARLESTON, Y.L.M. DRAWN BY: [Signature] CHECKED BY: [Signature]	DATE: 4/5/77 SIZE: F CODE IDENTIFICATION: 80091 NAVY DRAWING NO.: 4157776 PROJECT SYMBOL NO.: NS247C-85-B-5142 MAKE AS NOTED UNLESS OTHERWISE SPECIFIED 05-85-5306 SHEET 54 OF 68



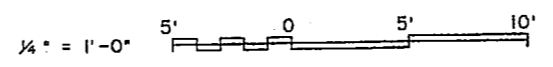
REVISIONS			
NO.	DESCRIPTION	DATE	APPROVED

- NOTES**
- SEE SHEET E-2 & E-3 FOR CORRIDOR & PIPE CHASE LIGHTING
 - BOTTOM OF PANEL TRIM SHALL BE 3'-6" A.F.F. (TO CLEAR COUNTER.)

FIRST FLOOR CORE LIGHTING PLAN
SCALE 1/4" = 1'-0"

SECOND FLOOR CORE LIGHTING PLAN
SCALE 1/4" = 1'-0"

GRAPHIC SCALE

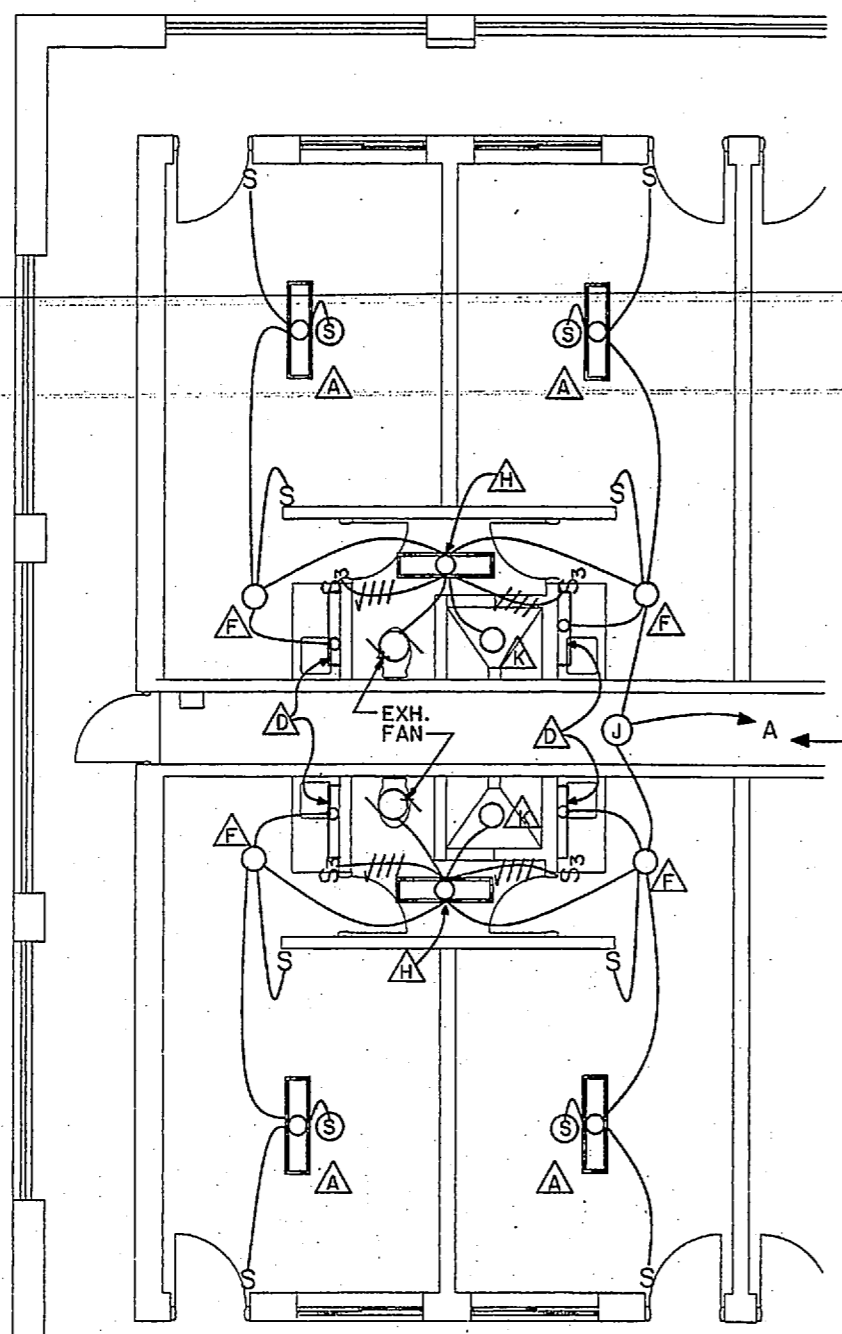


REVISION NUMBER		E-5	
DEPARTMENT OF THE NAVY			
NAVAL FACILITIES ENGINEERING COMMAND			
ATLANTIC DIVISION			
NAVAL HOSPITAL		CAMP LEJEUNE, N.C.	
BACHELOR ENLISTED QUARTERS			
1ST & 2ND FLOOR CORE LIGHTING PLANS			
DATE	4/15/77	NAVFAC DRAWING NO.	4157777
SCALE	F 80091	CONTRACT NO.	N62470-85-B-5142
SCALE AS NOTED	05-85-5306	SHEET	55 OF 68



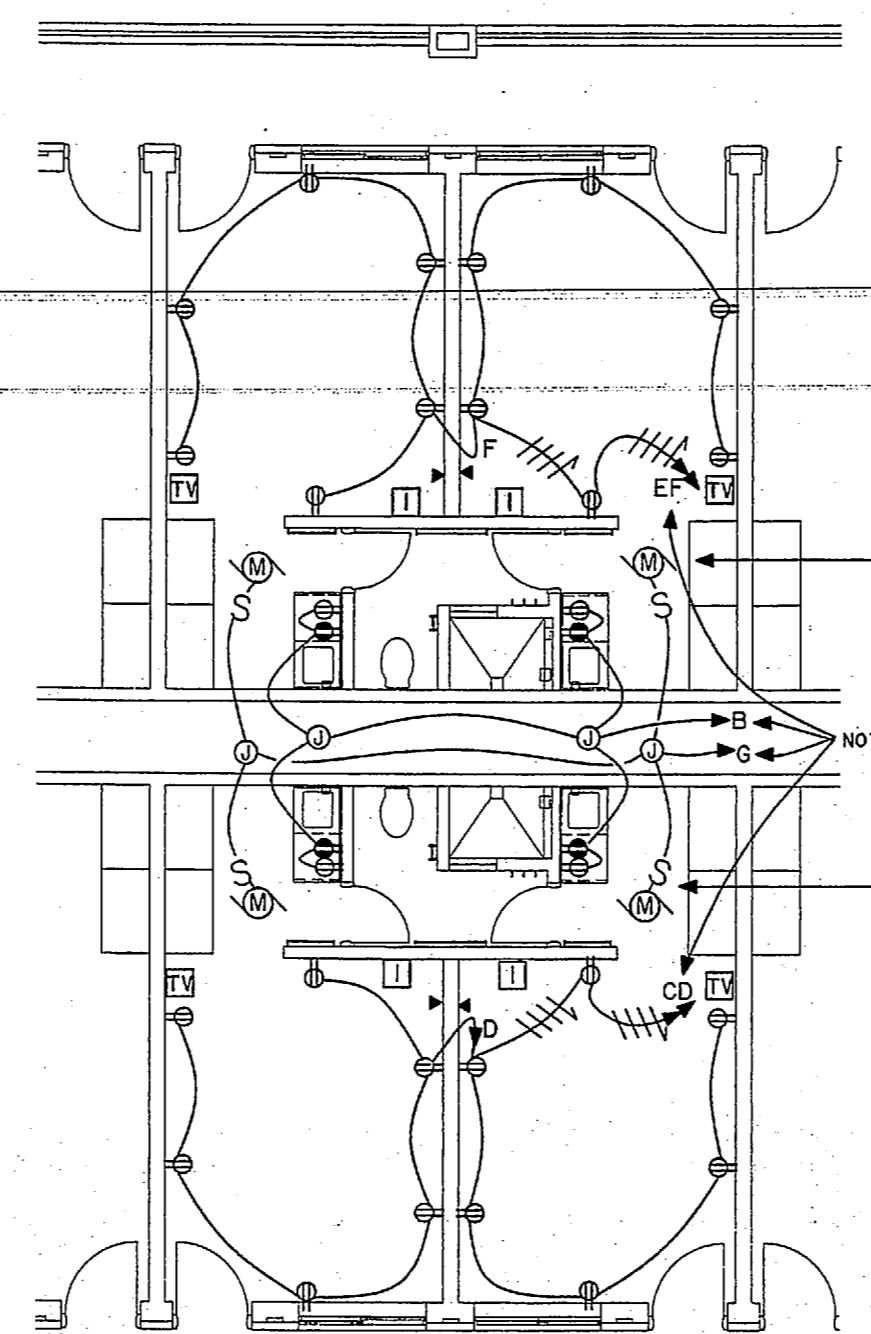
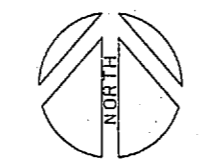
10 9 8 7 6 5 4 3 2 1

REVISIONS		
SYM	DESCRIPTION	DATE APPROVED



TYPICAL ROOM UNIT LIGHTING PLAN

SCALE 1/4"=1'-0"



TYPICAL ROOM UNIT POWER PLAN

SCALE 1/4"=1'-0"

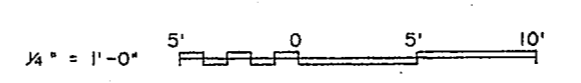
NOTES

1. SEE SHEETS E-2 & E-3 FOR CIRCUIT NUMBERS.

FPVAV UNIT (TYPICAL)
1/15 HP 120V

TOGGLE DISC. SW. MOUNTED BESIDE UNIT. ACCESSIBLE WHEN FPVAV UNIT ACCESS PANEL IS REMOVED (TYPICAL)

GRAPHIC SCALE



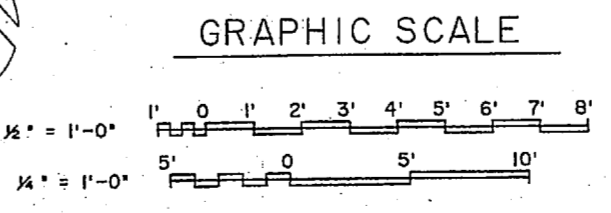
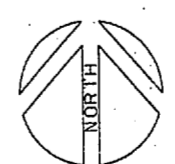
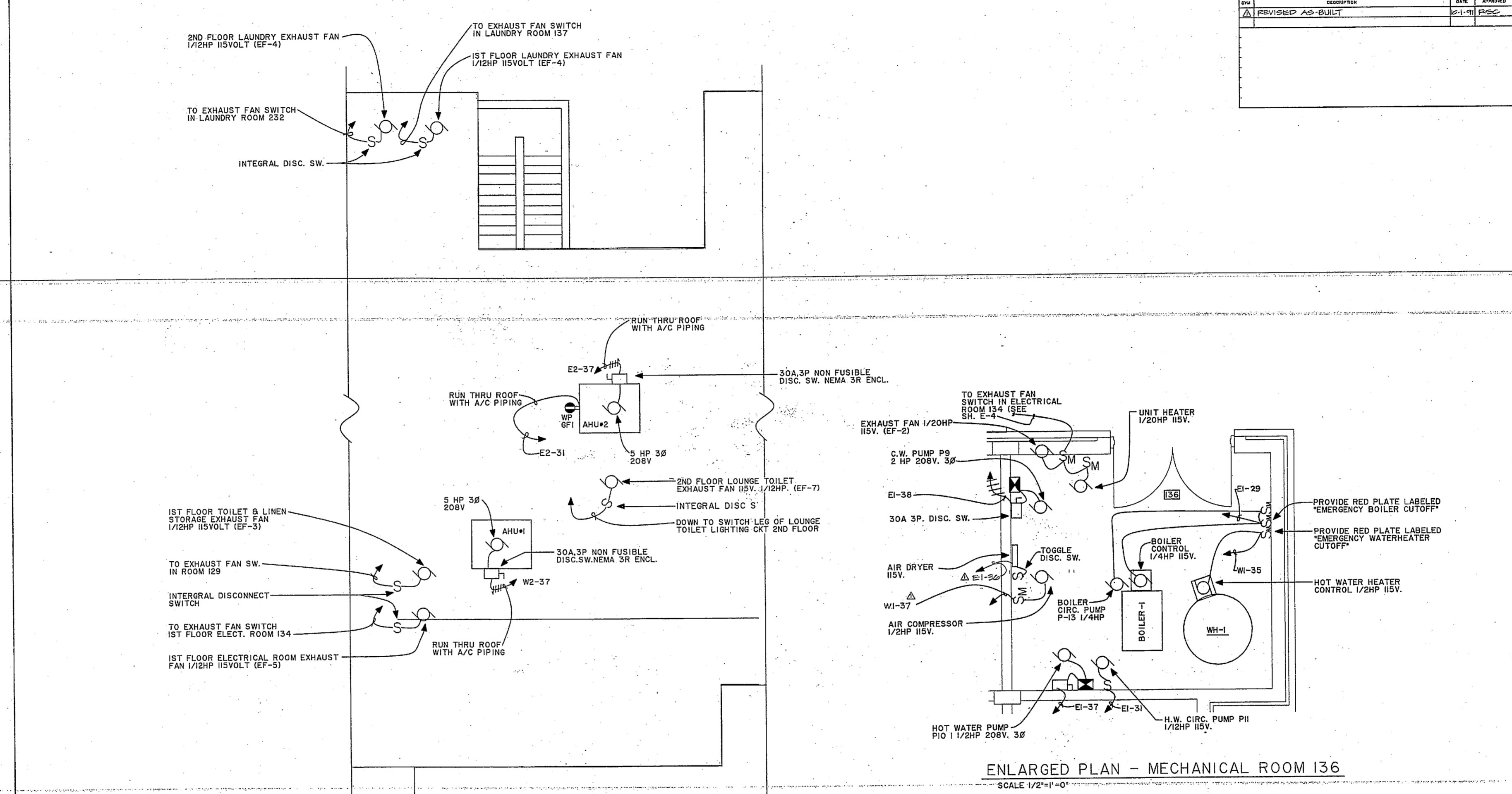
E-6	
DEPARTMENT OF THE NAVY NAVAL FACILITIES ENGINEERING COMMAND	
ATLANTIC DIVISION	
NAVAL HOSPITAL CAMP LEJEUNE, N.C.	
BACHELOR ENLISTED QUARTERS	
TYPICAL ROOM ELECTRICAL PLANS	
DESIGNED BY: J.M. GIBSON CHECKED BY: J.M. GIBSON DATE: 11/20/68 APPROVED: [Signature] ACTIVITY: BATHFACTORY TO DRAWN BY: J.M. GIBSON DATE: 11/20/68	SIZE: F CODE IDENTIFICATION: 80091 NAVFAC DRAWING NO.: 415778 DESIGN DATA: NS2470-85-B-5142 SCALE AS NOTED: 05-85-5142 SHEET: 56 OF 68

10 9 8 7 6 5 4 3 2 1



10 9 8 7 6 5 4 3 2 1

REVISIONS		
NO.	DESCRIPTION	DATE
1	REVISED AS-BUILT	12-1-51 RSC



RECORD DRAWING		E-7	
DEPARTMENT OF THE NAVY			
NAVAL HOSPITAL			
CAMP LEJEUNE, N.C.			
BACHELOR ENLISTED QUARTERS			
CORE ROOF & ENLARGED MECH. RM. PLANS			
DESIGN NO. 257779	DATE	SIZE	CODE IDENT. NO.
ISS. NO. 52306		F	80091
DES. BY P-771	DATE	REVISED	NO. OF SHEETS
CHK. BY MCD			415779
APP. BY MCD			
DATE			
APPROVED		DATE	
ACTIVITY-SATISFACTORY TO		DATE	
OFFICER		DATE	
REVISIONS		DATE	
NO.		DATE	
1		12-1-51	
BY RSC		BY RSC	
CHECKED BY		DATE	
DATE		DATE	
SCALE AS NOTED		SCALE AS NOTED	
NO. 05-65-5306		NO. 05-65-5306	
PAGE 57		OF 68	

10 9 8 7 6 5 4 3 2 1



10 9 8 7 6 5 4 3 2 1

REVISED AS-BUILT		DATE	APPROVED
		10-1-71	PSC

PANELBOARD W1 SCHEDULE																	
225 A., M.L.O., 120/208 V., 3 PHASE, 4 WIRE, SURFACE MOUNT																	
LOAD SERVED	LOAD (AMPS.)			WIRE SIZE	CIRCUIT NO.	PHASE			WIRE SIZE	CIRCUIT NO.	LOAD (AMPS.)						
	A	B	C			A	B	C			A	B	C				
LIGHTING RM 100-103	12.1			10	20	12	1			2	12	10	20	12.1			LIGHTING RM 104-107
GFI RECEPT RM 100-103		15.0		10	20	12	3			4	12	10	20	15.0			GFI RECEPT RM 104-107
RECEPT RM 102			9.0	10	20	12	5			6	12	10	20	9.0			RECEPT RM 106
RECEPT RM 100		9.0		10	20	12	7			8	12	10	20	9.0			RECEPT RM 104
RECEPT RM 103		9.0		10	20	12	9			10	12	10	20	9.0			RECEPT RM 107
RECEPT RM 101			9.0	10	20	12	11			12	12	10	20	9.0			RECEPT RM 105
LIGHTING RM 108-111	12.1			10	20	12	13			14	12	10	20	12.1			LIGHTING RM 112-115
GFI RECEPT RM 108-111		15.0		10	20	12	15			16	12	10	20	15.0			GFI RECEPT RM 112-115
RECEPT RM 108		9.0		10	20	12	17			18	12	10	20	9.0			RECEPT RM 114
RECEPT RM 109		9.0		10	20	12	19			20	12	10	20	9.0			RECEPT RM 112
RECEPT RM 111		9.0		10	20	12	21			22	12	10	20	9.0			RECEPT RM 115
RECEPT RM 105		9.0		10	20	12	23			24	12	10	20	9.0			RECEPT RM 113
SUMP PUMP RM 109			10	20			25			26	12	10	20	4.4			FCU RM 100-103
LIGHTING PIPE CHASE 139	7.2			10	20	12	27			28	12	10	20	4.4			FCU RM 104-107
RECEPT PIPE CHASE 139		9.0		10	20	12	29			30	12	10	20	4.4			FCU RM 108-111
LIGHTING RM 128-133	10			10	20	12	31			32	12	10	20	4.4			FCU RM 112-115
LIGHTING RM 134-136	6			10	20	12	33			34		10	20				CONTROL CIRCUIT
WATER HEATER		9.8		10	20	12	35			36	10	10	25	13.6			CORRIDOR LGT'S 1ST FL
	7.2			10	20	12	37			38	10	25	16.4				CORRIDOR LGT'S 2ND FL
AIR COMPRESSOR				10	20		39			40	10	10	20	9			PARKING & STREET LGT'S

PANELBOARD W2 SCHEDULE																	
225 A., MAIN LUGS ONLY, 120/208 V., 3 PHASE, 4 WIRE, SURFACE MOUNT																	
LOAD SERVED	LOAD (AMPS.)			WIRE SIZE	CIRCUIT NO.	PHASE			WIRE SIZE	CIRCUIT NO.	LOAD (AMPS.)						
	A	B	C			A	B	C			A	B	C				
LIGHTING RM 200-203	12.1			10	20	12	1			2	12	10	20	12.1			LIGHTING RM 204-207
GFI RECEPT RM 200-203		15.0		10	20	12	3			4	12	10	20	15.0			GFI RECEPT RM 204-207
RECEPT RM 202			9.0	10	20	12	5			6	12	10	20	9.0			RECEPT RM 206
RECEPT RM 200		9.0		10	20	12	7			8	12	10	20	9.0			RECEPT RM 204
RECEPT RM 203		9.0		10	20	12	9			10	12	10	20	9.0			RECEPT RM 207
RECEPT RM 201			9.0	10	20	12	11			12	12	10	20	9.0			RECEPT RM 205
LIGHTING RM 208-211	12.1			10	20	12	13			14	12	10	20	12.1			LIGHTING RM 212-215
GFI RECEPT RM 208-211		15.0		10	20	12	15			16	12	10	20	15.0			GFI RECEPT RM 212-215
RECEPT RM 210		9.0		10	20	12	17			18	12	10	20	9.0			RECEPT RM 214
RECEPT RM 208		9.0		10	20	12	19			20	12	10	20	9.0			RECEPT RM 212
RECEPT RM 211		9.0		10	20	12	21			22	12	10	20	9.0			RECEPT RM 215
RECEPT RM 205		9.0		10	20	12	23			24	12	10	20	9.0			RECEPT RM 213
RECEPT ELECT RM 231	4.5			10	20	12	25			26	12	10	20	7.2			LIGHTING PIPE CHASE 233
RECEPT PIPE CHASE 233		9.0		10	20	12	27			28	12	10	20	4.4			FCU RM 200-203
SPARE				10	20		29			30	12	10	20	4.4			FCU RM 204-207
SPARE				10	20		31			32	12	10	20	4.4			FCU RM 208-211
SPARE				10	20		33			34	12	10	20	4.4			FCU RM 212-215
SPARE				10	20		35			36		10	20				SPARE
AHU#1 (ROOF)				17			10	35		10	37						SPARE

PANELBOARD E1 SCHEDULE																	
225 A., MAIN LUGS ONLY 120/208 V., 3 PHASE, 4 WIRE SURFACE MOUNT																	
LOAD SERVED	LOAD (AMPS.)			WIRE SIZE	CIRCUIT NO.	PHASE			WIRE SIZE	CIRCUIT NO.	LOAD (AMPS.)						
	A	B	C			A	B	C			A	B	C				
LIGHTING RM 116-119	12.1			10	20	12	1			2	12	10	20	12.1			LIGHTING RM 120-123
GFI RECEPT RM 116-119		12.0		10	20	12	3			4	12	10	20	12.0			GFI RECEPT RM 120-123
RECEPT RM 118		9.0		10	20	12	5			6	12	10	20	9.0			RECEPT RM 122
RECEPT RM 116		9.0		10	20	12	7			8	12	10	20	9.0			RECEPT RM 120
RECEPT RM 119		9.0		10	20	12	9			10	12	10	20	9.0			RECEPT RM 123
RECEPT RM 117		9.0		10	20	12	11			12	12	10	20	9.0			RECEPT RM 121
LIGHTING RM 124-127	12.1			10	20	12	13			14	12	10	20	9.0			RECEPT RM 128, 129
GFI RECEPT RM 124-127		12.0		10	20	12	15			16	12	10	20	7.5			RECEPT RM 134, 135
RECEPT RM 126		9.0		10	20	12	17			18	12	10	20	12			RECEPT VEND MACH RM 147
RECEPT RM 124		9.0		10	20	12	19			20	12	10	20	12			RECEPT VEND MACH RM 147
RECEPT RM 127		9.0		10	20	12	21			22	12	10	20	12			RECEPT VEND MACH RM 147
RECEPT RM 125		9.0		10	20	12	23			24	12	10	20	12			RECEPT VEND MACH RM 147
LTG PIPE CHASE 138	9.8			10	20	12	25			26	12	10	20	4.4			FCU ROOMS 116-119
RECEPT PIPE CHASE 138		9.0		10	20	12	27			28	12	10	20	4.4			FCU ROOMS 120-123
BOILER-CONTROL		5.8		10	20	12	29			30	12	10	20	4.4			FCU ROOMS 124-127
HW CIRC. PUMP RM 136	2			10	20	12	31			32	12	10	20	6			F.C.U. & EX. FAN RM 128, 129, 132
RECEPT RM 134 (TEL)		9		10	20	12	33			34	12	10	20	10			EX. FAN & U.H. RM 124, 135
SUMP PUMP RM 139		7.2		10	20	12	35			36	12	10	20	12			AIR COMP. & DRYER RM 136
H.W. PUMP RM 136		5.7		10	20	12	37			38	12	10	20	7.5			CW PUMP RM 136

PANELBOARD E2 SCHEDULE																	
225 A., MAIN LUGS ONLY, 120/208 V., 3 PHASE, 4 WIRE, SURFACE MOUNT																	
LOAD SERVED	LOAD (AMPS.)			WIRE SIZE	CIRCUIT NO.	PHASE			WIRE SIZE	CIRCUIT NO.	LOAD (AMPS.)						
	A	B	C			A	B	C			A	B	C				
LIGHTING RM 216-219	12.1			10	20	12	1			2	12	10	20	12.1			LIGHTING RM 220-223
GFI RECEPT RM 216-219		15.0		10	20	12	3			4	12	10	20	15.0			GFI RECEPT RM 220-223
RECEPT RM 218			9.0	10	20	12	5			6	12	10	20	9.0			RECEPT RM 222
RECEPT RM 216		9.0		10	20	12	7			8	12	10	20	9.0			RECEPT RM 220
RECEPT RM 219		9.0		10	20	12	9			10	12	10	20	9.0			RECEPT RM 223
RECEPT RM 217		9.0		10	20	12	11			12	12	10	20	9.0			RECEPT RM 221
LIGHTING RM 224-227	12.1			10	20	12	13			14	12	10	20	9.0			F.C.U. & EX. FAN RM 228 & 231
GFI RECEPT RM 224-227		15.0		10	20	12	15			16	12	10	20	10.5			RECEPT LOUNGE RM 228
RECEPT RM 226		9.0		10	20	12	17			18	12	10	20	12.0			RECEPT VEND MACH RM 240
RECEPT RM 224		9.0		10	20	12	19			20	12	10	20	12.0			RECEPT VEND MACH RM 240
RECEPT RM 227		9.0		10	20	12	21			22	12	10	20	12.0			RECEPT VEND MACH RM 240
RECEPT RM 225		9.0		10	20	12	23			24	12	10	20	12.0			RECEPT VEND MACH RM 240
LTG RM 228, 229, 230, 231	15.4			10	20	12	25			26	12	10	20	4.4			FCU RM 216-219
RECEPT PIPE CHASE 234		9.0		10	20	12	27			28	12	10	20	4.4			FCU RM 220-223
LTG PIPE CHASE 234		5.4		10	20	12	29			30	12	10	20	4.4			FCU RM 224-227
RECEPTACLE ROOF				10	20	12	31			32	12	10	20	9.0			RECEPT RM 128, 231
SPARE				10	20		33			34							



REVISIONS		
NO.	DESCRIPTION	DATE

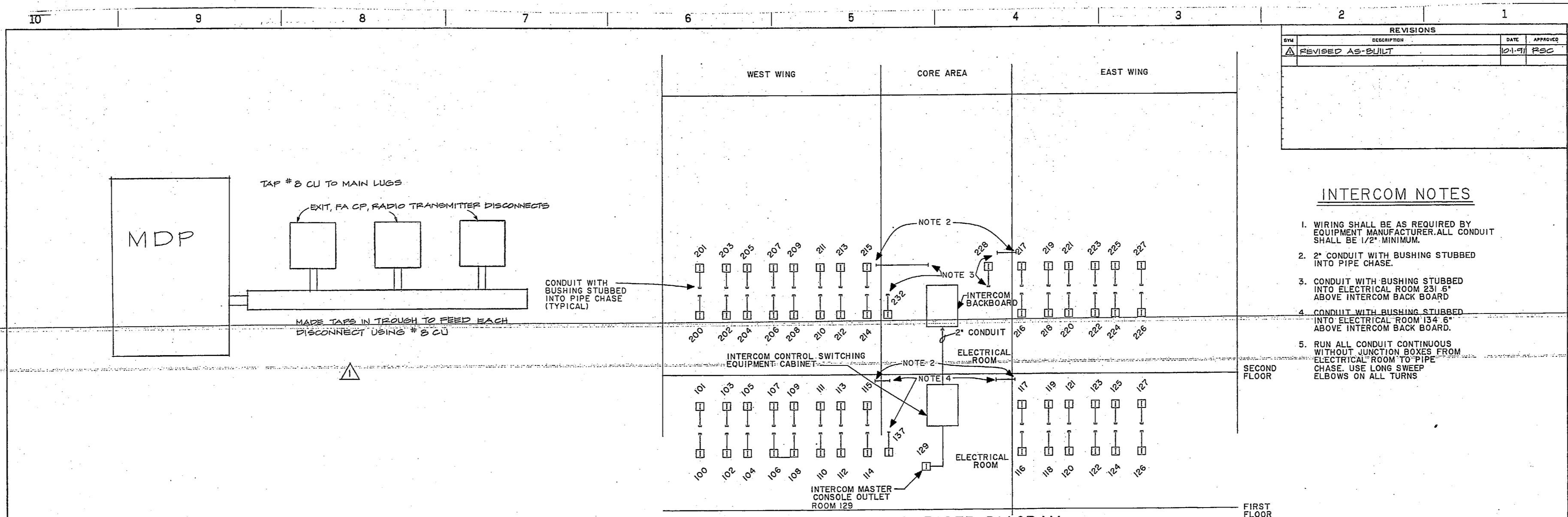
PANELBOARD MDP SCHEDULE													
600A., 600A MCB, 120/208V., 3 PHASE 4 WIRE SURFACE MOUNTED													
LOAD SERVED	LOAD (AMPS.)			WIRE SIZE	BKR	WIRE NO.	PHASE			WIRE SIZE	BKR	WIRE NO.	LOAD (AMPS.)
	A	B	C				A	B	C				
PNL W1	114	25	225	4/0	1	124	2	4/0	25	225	120	PNL E1	
		86										122	
PNL W2	131	25	225	4/0	3		4	4/0	25	225	125	PNL E2	
		94										105	
PNL L1 & L2	174	25	225	4/0	5		6	1/0	25	225	116	CHILLER	
		194										116	
SEWAGE PUMP STA.	33.2	18	60	6	7		8	—	18	100		SPACE	
		33.2											
SPACE		25	225	9			10	—	25	225		SPACE	
				31			32						
				33			34						
				35			36						
				37			38						
				39			40						
				41			42						

* PANELBOARD L1 SCHEDULE																
225 A., MAIN LUGS ONLY, 120/208 V., 3 PHASE, 4 WIRE, FLUSH MOUNT																
LOAD SERVED	LOAD (AMPS.)			WIRE SIZE	BKR	WIRE NO.	PHASE			WIRE SIZE	BKR	WIRE NO.	LOAD (AMPS.)			
	A	B	C				A	B	C					A	B	C
RECEPT WASH RM 137	12.5			10	20	12	1				2	12	10	20	12.5	RECEPT WASH RM 137
RECEPT WASH RM 137	12.5			10	20	12	3				4	12	10	20	12.5	RECEPT WASH RM 137
RECEPT WASH RM 137		12.5		10	20	12	5				6	12	10	20	12.5	RECEPT WASH RM 137
U.H.A. EX. FAN RM 137	11.6			10	20	12	7				8	12	10	20	2.3	LIGHTING RM 137
RECEPTACLE RM 137	9			10	20	12	9				10	10	10	20		SPARE
SPARE				10	20	12	11				12	10	20			SPARE
SPARE				10	20	12	13				14	10	20			SPARE
RECEPT DRYER RM 137	24.0	24.0		10	30	10	15				16	—	10			SPACE
RECEPT DRYER RM 137	24.0	24.0		10	30	10	17				18	—	10			SPACE
RECEPT DRYER RM 137	24.0	24.0		10	30	10	19				20	—	10			SPACE
RECEPT DRYER RM 137	24.0	24.0		10	30	10	21				22	—	10			SPACE

* PROVIDE 6 INCH MINIMUM SIDE GUTTERS. FOR THRU FEED TO PANEL "L2"

PANELBOARD L2 SCHEDULE													
225 A., M JNLY, 120/208 V., 3 PHASE, 4 WIRE, FLUSH MOUNT													
LOAD SERVED	LOAD (AMPS.)			WIRE SIZE	BKR	WIRE NO.	PHASE			WIRE SIZE	BKR	WIRE NO.	LOAD (AMPS.)
	A	B	C				A	B	C				
RECEPT WASH RM 232	12.5			12	1		2	12	10	20	12.5	RECEPT WASH RM 232	
RECEPT WASH RM 232	12.5			12	3		4	12	10	20	12.5	RECEPT WASH RM 232	
RECEPT WASH RM 232		12.5		12	5		6	12	10	20	12.5	RECEPT WASH RM 232	
U.H.A. EX. FAN RM 232	11.6			12	7		8	12	10	20	2.3	LIGHTING RM 232	
RECEPTACLE RM 232	9			12	9		10	—	10	20		SPARE	
SPARE				—	11		12	—	10	20		SPARE	
SPARE				—	13		14	—	10	20		SPARE	
RECEPT DRYER RM 232	24.0	24.0		10	15		16	—	10			SPACE	
RECEPT DRYER RM 232	24.0	24.0		10	17		18	—	10			SPACE	
RECEPT DRYER RM 232	24.0	24.0		10	19		20	—	10			SPACE	
RECEPT DRYER RM 232	24.0	24.0		10	21		22	—	10			SPACE	

E-9	
DEPARTMENT OF THE NAVY	
NAVAL HOSPITAL CAMP LEJEUNE, N.C.	
BACHELOR ENLISTED QUARTERS	
PANEL SCHEDULES	
DATE: 12/11/68	BY: [Signature]
APPROVED: [Signature]	DATE: 12/11/68
ACTIVITY: BATHFACTORY TO OFFICE	CODE IDENTIFICATION: F 80091
NAVY DRAWING NO. 6157761	NAVY DRAWING NO. 6157761
NAVY AS NOTED DATE: 05-85-5306	NAVY AS NOTED DATE: 05-85-5306

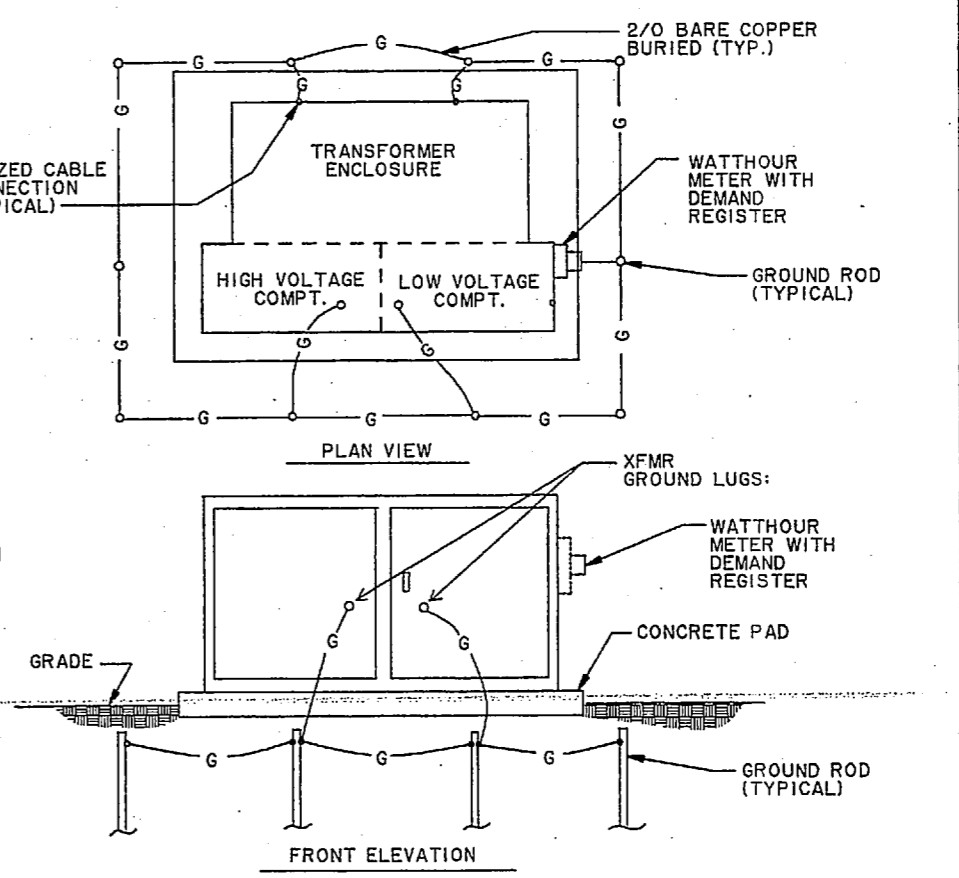
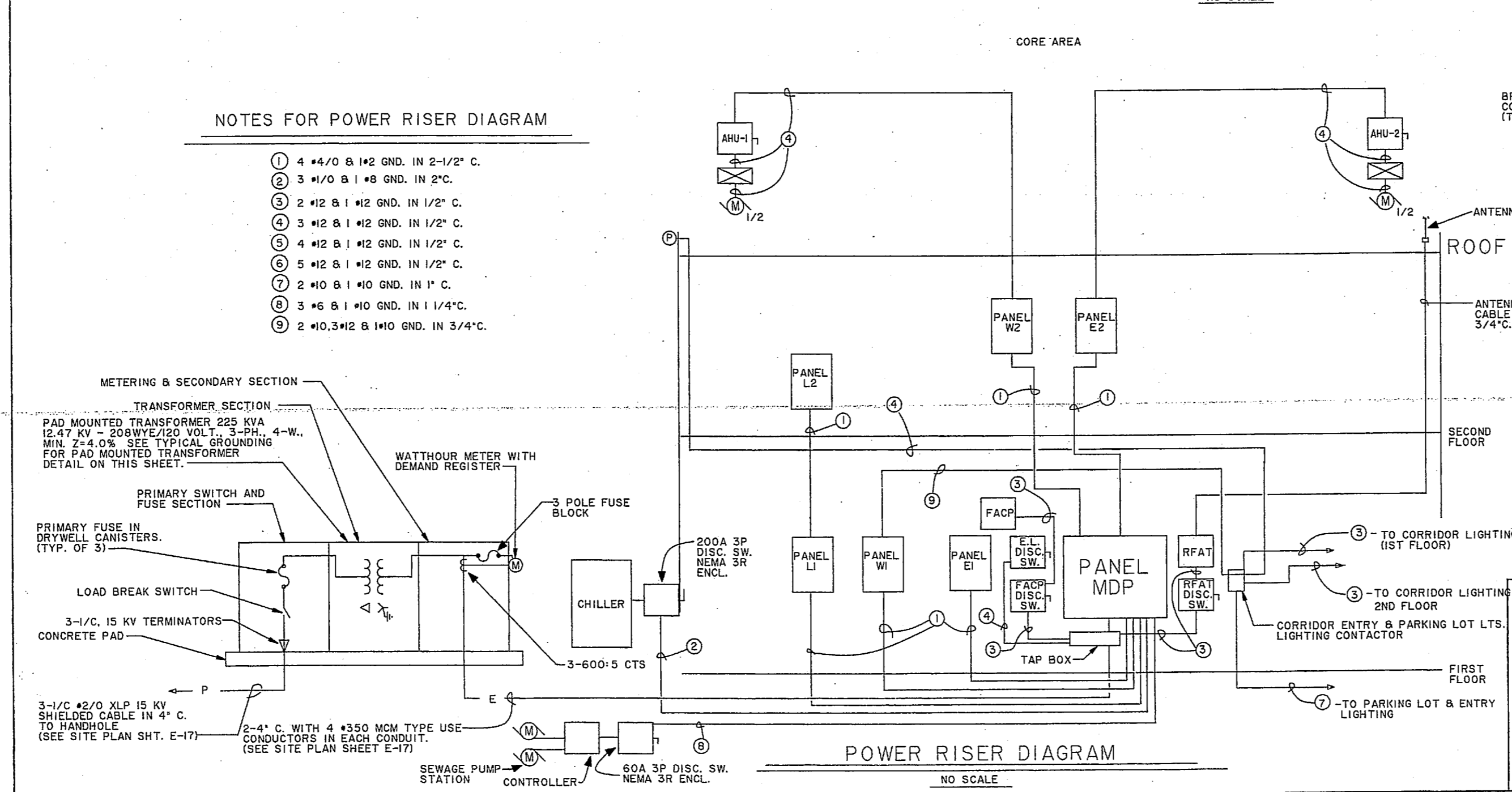


REVISIONS		
SYM	DESCRIPTION	DATE APPROVED
Δ	REVISED AS-BUILT	10-1-81 RSC

- INTERCOM NOTES**
1. WIRING SHALL BE AS REQUIRED BY EQUIPMENT MANUFACTURER. ALL CONDUIT SHALL BE 1/2" MINIMUM.
 2. 2" CONDUIT WITH BUSHING STUBBED INTO PIPE CHASE.
 3. CONDUIT WITH BUSHING STUBBED INTO ELECTRICAL ROOM 231 6" ABOVE INTERCOM BACK BOARD.
 4. CONDUIT WITH BUSHING STUBBED INTO ELECTRICAL ROOM 134 6" ABOVE INTERCOM BACK BOARD.
 5. RUN ALL CONDUIT CONTINUOUS WITHOUT JUNCTION BOXES FROM ELECTRICAL ROOM TO PIPE CHASE. USE LONG SWEEP ELBOWS ON ALL TURNS.

NOTES FOR POWER RISER DIAGRAM

- ① 4 #4/0 & 1#2 GND. IN 2-1/2" C.
- ② 3 #1/0 & 1 #8 GND. IN 2" C.
- ③ 2 #12 & 1 #12 GND. IN 1/2" C.
- ④ 3 #12 & 1 #12 GND. IN 1/2" C.
- ⑤ 4 #12 & 1 #12 GND. IN 1/2" C.
- ⑥ 5 #12 & 1 #12 GND. IN 1/2" C.
- ⑦ 2 #10 & 1 #10 GND. IN 1" C.
- ⑧ 3 #6 & 1 #10 GND. IN 1 1/4" C.
- ⑨ 2 #10, 3#12 & 1#10 GND. IN 3/4" C.



E-10

DEPARTMENT OF THE NAVY
ATLANTIC DIVISION
 NAVAL HOSPITAL CAMP LEJEUNE, N.C.
BACHELOR ENLISTED QUARTERS

POWER & INTERCOM RISER DIAGRAMS

ACTIVITY - SATISFACTORY TO

DATE: 3-20-81

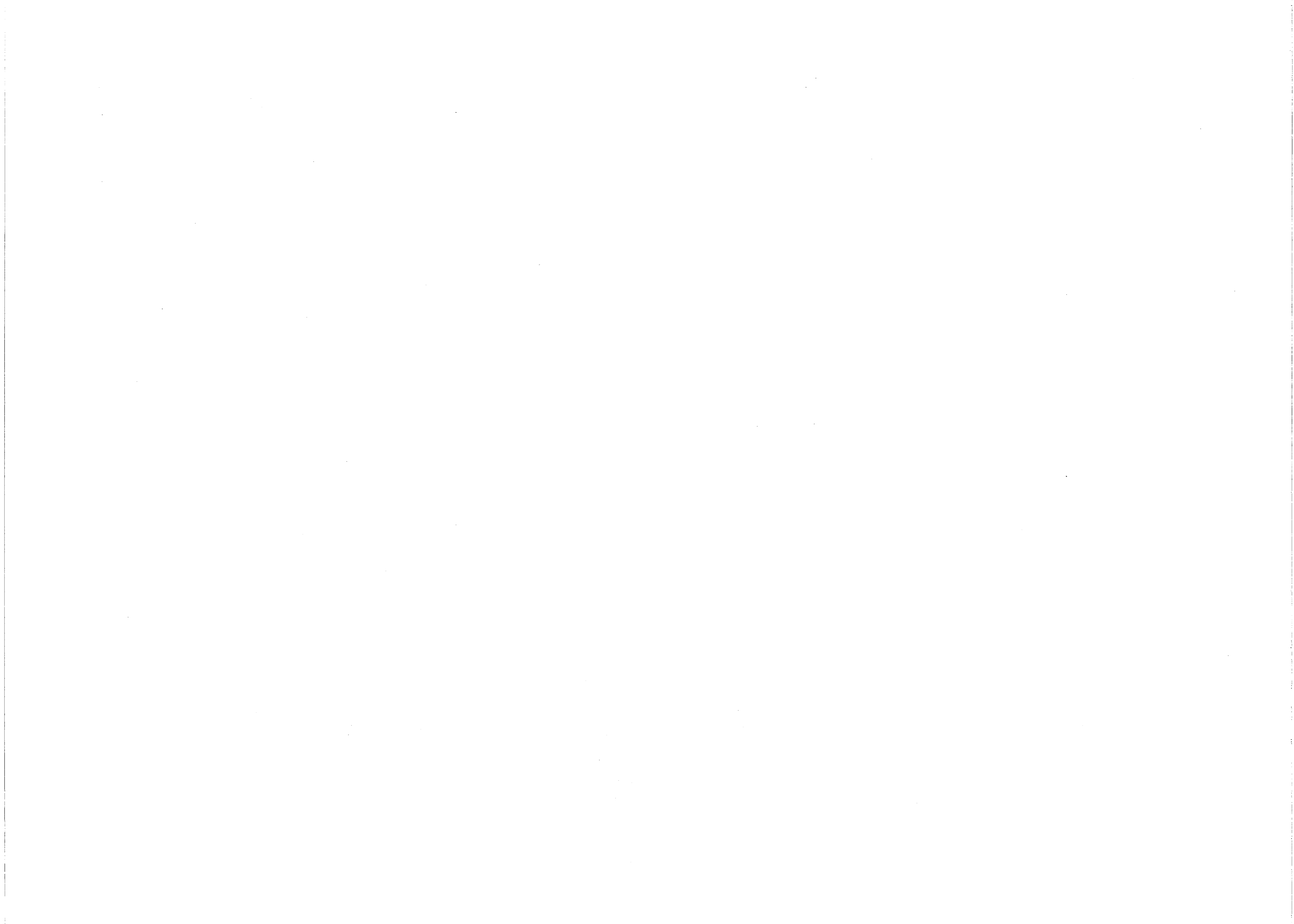
NO. 80091

DATE: 3-20-81

NO. 4157782

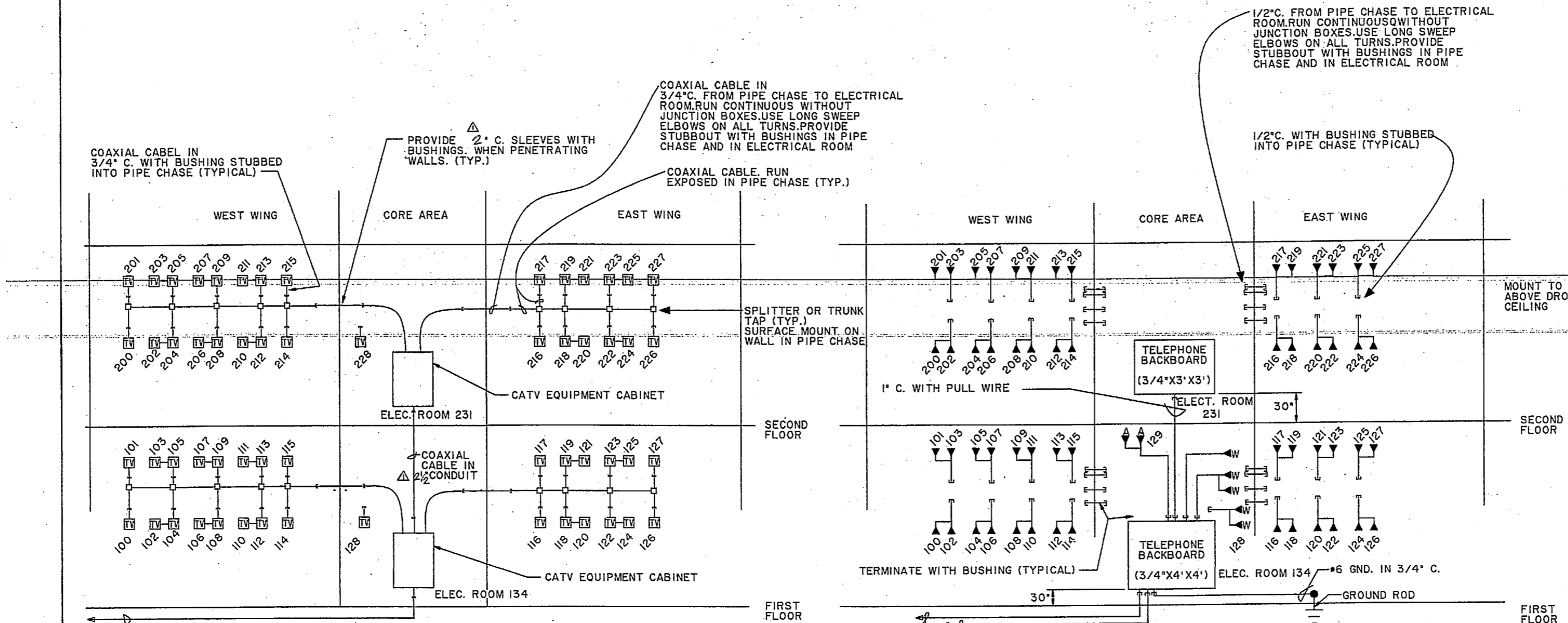
NO. N62470-83-B-5142

NO. 05-85-5306 SHEET 60 OF 66



10 9 8 7 6 5 4 3 2 1

REVISIONS			
NO.	DESCRIPTION	DATE	APPROVED
1	REVISED AS-BUILT	10-1-81	PEC

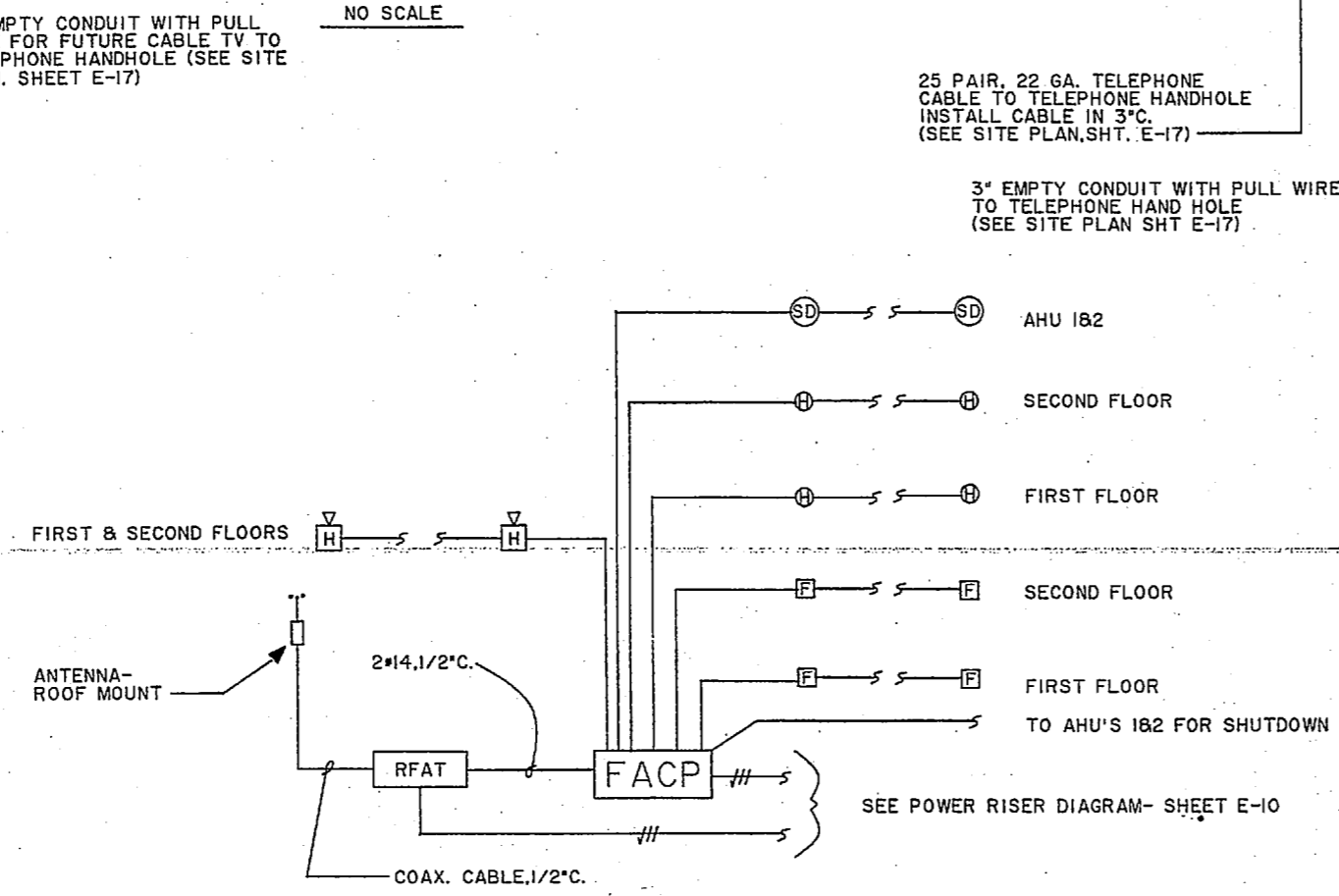


NOTES FOR TELEPHONE SYSTEM

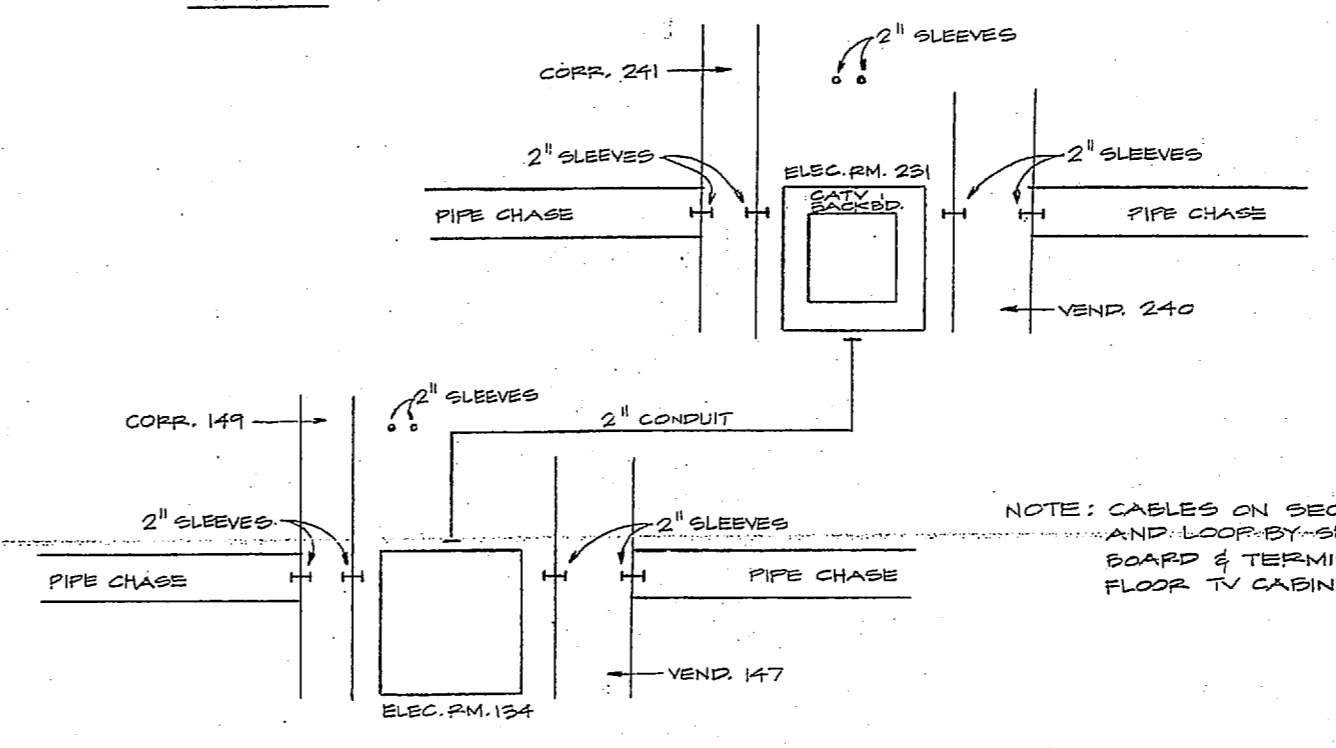
1. ALL EXTERIOR CABLE SHALL BE A MINIMUM SIZE OF 22 AWG. COPPER AND SHALL BE FILLED.
2. ALL EXTERIOR CABLES SHALL BE TERMINATED ON A 4 CLIP 66 SERIES CONNECTING BLOCK. HOUSE BLOCKS SHALL BE MARKED WITH THE JACK NUMBER. FEEDER BLOCKS SHALL BE MARKED WITH THE PAIR NUMBER.
3. EXTERIOR CABLE SHALL BE SPLICED TO THE MAIN DISTRIBUTION SYSTEM BY THE GOVERNMENT. COORDINATE WITH STATION TELEPHONE OFFICER. CONTRACTOR SHALL PROVIDE ALL REQUIRED SPLICE KITS.
4. INSTALL EXTERIOR CABLE ON CONNECTING BLOCKS IN ORDER OF STANDARD TELEPHONE CABLE COLOR CODE.
5. ALL TELEPHONE OUTLETS SHALL BE IN A 4" SQ. JUNCTION BOX WITH A SINGLE GANG PLASTER RING & BLANK COVER.
6. ALL CONDUITS SHALL BE 1/2" MINIMUM U.O.N. WITH PULL WIRE.

CATV RISER DIAGRAM NO SCALE

TELEPHONE RISER DIAGRAM NO SCALE



FIRE ALARM RISER DIAGRAM NO SCALE



NOTE: CABLES ON SECOND FLOOR RUN AND LOOP BY SECOND FLOOR BACK BOARD & TERMINATE IN FIRST FLOOR TV CABINET

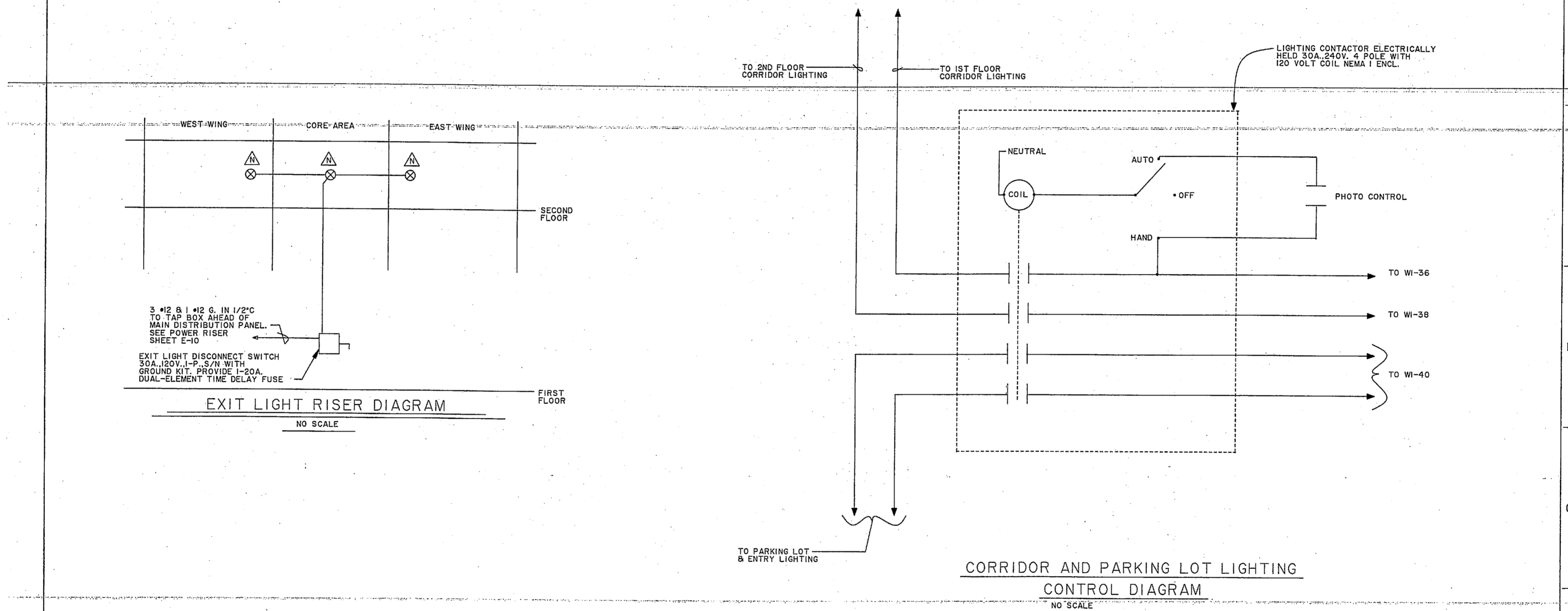
CHANGE FOR CATV

10 9 8 7 6 5 4 3 2 1

RECORD DRAWING LETTER DATE		E-11	
DEPARTMENT OF THE NAVY NAVAL FACILITIES ENGINEERING COMMAND			
ATLANTIC DIVISION			
NAVAL HOSPITAL		CAMP LEJEUNE, N.C.	
BACHELOR ENLISTED QUARTERS			
CATV, TEL., & F.A. RISER DIAGRAMS			
F 80091		4157783	
NS2470-85-B-5142		05-85-3306	

10 9 8 7 6 5 4 3 2 1

REVISIONS		
NO.	DESCRIPTION	DATE



10 9 8 7 6 5 4 3 2 1

RECORDS OFFICE		E-12	
DEPARTMENT OF THE NAVY			
NAVAL SYSTEMS		ATLANTIC DIVISION	
NAVAL HOSPITAL		CAMP LEJEUNE, N.C.	
BACHELOR ENLISTED QUARTERS			
EXIT LIGHT RISER & LIGHTING CONTROL DIAGRAM		NAVFAC DRAWING NO. 4157784	
F 80091		N62470-85-E-5142	
SCALE AS NOTED SPEC. 05-65-5306		SHEET 62 OF 67	



REVISIONS		
NO.	DESCRIPTION	DATE

LUMINAIRE REQUIREMENTS

- 0.032" MIN. THICKNESS FORMED STEEL HOUSING. CHEMICAL TREATMENT FOR RUST PREVENTION. BAKED WHITE ENAMEL FINISH. 85% MIN. REFLECTANCE (INTERIOR). ENTIRE HOUSING SHALL BE PAINTED WHITE, AFTER FABRICATION. HOUSING SHALL NOT PERMANENTLY DEFORM NOR SHALL IT DEFLECT MORE THAN ONE INCH (TWO INCHES FOR TYPE B) WHEN LIFTED BY ONE CORNER.
- SECURE HOUSING ENDS BY RIVETS OR SCREWS. PROVIDE A KNOCKOUT IN EACH END AND TWO IN TOP OF HOUSING. HOUSING SHALL HAVE INTERNAL PROVISIONS FOR GROUNDING.
- OVERALL LUMINAIRE LENGTH SHALL BE 48 INCHES NOMINAL. OVERALL WIDTH SHALL BE 12 INCHES MINIMUM FOR 2 LAMP, 15-1/2 INCHES MINIMUM FOR 4 LAMP. OVERALL HEIGHT SHALL BE 3-1/2 INCHES MAXIMUM.
- LENS SHALL BE CLEAR 100% ACRYLIC HAVING A MINIMUM OVERALL (BOTTOM OF LENS) THICKNESS OF 0.140 INCH WITH A MAXIMUM PENETRATION DEPTH OF 0.07 INCHES (0.09 INCH MIN. OVERALL SIDE THICKNESS).
- LENS SHALL BE PRISMATIC TYPE. INJECTION MOLDED INTO A SINGLE SIDED UNIT WITH 1/2 INCH MINIMUM RE-ENTRANT FLANGE ON EACH LONG SIDE FOR ADDITIONAL STRENGTH.
- LENS SHALL BE CAPABLE OF HINGING AND LATCHING FROM EITHER SIDE OF FIXTURE.
- LUMINAIRE SHALL HAVE LUMINOUS ENDS.
- BALLAST: HIGH POWER FACTOR (≥ .9) ETL, CEN APPROVED RAPID START CLASS P ENERGY SAVING BALLAST WITH SOUND RATING OF "A". SECURE BALLASTS TO HOUSING WITH AT LEAST ONE SCREW AND SLIP-ON BRACKET OR TWO SCREWS - ONE AT EACH END.
- PHOTOMETRICS: MINIMUM COEFFICIENT OF UTILIZATION (CU) FOR THE FOLLOWING CAVITY REFLECTANCES: CEILING = 80% WALL = 50% FLOOR = 20% LUMINANCE USING 3100 LAMP WITH AVG. MAX. RATIO NOT TO EXCEED 1:5.

TYPE A	TYPE B	AVG. LUMINANCE (FL)
RCR = 1	CU = 0.71	95 = 1350
2	0.67	95 = 1250
3	0.64	95 = 1125
4	0.61	75 = 750
5	0.58	85 = 450

MIN. EFFICIENCY 85% (80% FOR TYPE B)

10. MINIMUM SPACING TO MOUNTING HEIGHT RATIO: 1.35 (TYPE A), 1.3 (TYPE B).

TYPE A - 2 LAMP
TYPE B - 4 LAMP

SURFACE MOUNTED WRAP-AROUND LUMINAIRE FOR OFFICE/CLASSROOM TYPE SPACES STYLE NL-1

MIN. 0.5" ONE PIECE STEEL BACKPLATE WITH WHITE BAKED ENAMEL FINISH.

SECURE LENS TO BACKPLATE WITH MINIMUM 4 STAINLESS STEEL TAP-PROOF SCREWS.

1 - 3/4" T-12, RS-CM ENERGY SAVING LAMP

MOUNT BACKPLATE WITH MINIMUM OF 6 SCREWS OR ANCHORS FOR FIXTURE TO WALL OR CEILING AS INDICATED. SEE SPECS FOR TYPES.

MIN. 0.125" VANDAL-PROOF MIN. 1/2" THICK CLEAR PRISMATIC INJECTION MOLDED W/AROUND LENS.

PROVIDE INTERNAL GROUNDING SCREW

BALLAST SHALL BE HIGH POWER FACTOR (≥ .9) ETL, CEN APPROVED RAPID START CLASS P WITH SOUND RATING OF "A".

SURFACE MOUNTED 1-LAMP NONBREAKABLE LUMINAIRE STYLE NL-4

LUMINAIRE REQUIREMENTS

- 0.032" MINIMUM THICKNESS STEEL BACK PLATE AND REFLECTOR. CHEMICAL TREATMENT FOR RUST PREVENTION. BAKED WHITE ENAMEL FINISH. PROVIDE KNOCKOUTS THRU BACK PLATE. HOUSING SHALL HAVE INTERNAL PROVISIONS FOR GROUNDING.
- 0.032" MINIMUM THICKNESS DIE FORMED STEEL OR EXTRUDED ALUMINUM HOUSING. BAKED BLACK ENAMEL OR BRUSHED ALUMINUM FINISH OR WOOD GRAIN VINYL ON ALUMINUM HOUSING UNLESS INDICATED OTHERWISE. STEEL HOUSINGS SHALL HAVE ALL JOINTS WELDED AND GROUND SMOOTH.
- MAXIMUM OVERALL LUMINAIRE HEIGHT SHALL BE 5-1/2 INCHES. MAXIMUM LUMINAIRE DEPTH SHALL BE 8 INCHES. MAXIMUM LUMINAIRE LENGTH SHALL BE 24 INCHES - TYPE A
36 INCHES - TYPE B
54 INCHES - TYPE C
- LOWER LENS SHALL BE CLEAR SINGLE PIECE 100% ACRYLIC HAVING AN OVERALL NOMINAL THICKNESS OF 0.110 INCHES PLUS OR MINUS 10%. UP LIGHT LENS SHALL BE 100% ACRYLIC WITH A MINIMUM OF 0.09 INCHES OVERALL THICKNESS.
- LENS SHALL BE PRISMATIC TO REDIRECT LIGHT. PREVENTING DIRECT GLARE AT HIGH VIEWING ANGLES OR LUMINAIRE SHALL HAVE OPAQUE FRONT.
- LENS SHALL HAVE SPRING STEEL LATCHES FOR RETAINING LENS, OR POSITIVE MEANS OF HOLDING LENS IN PLACE.
- LUMINAIRE SHALL PROVIDE UP AND DOWN LIGHT. UP LIGHT SHALL BE SEPARATELY SWITCHED WHERE INDICATED. LAMPS SHALL BE ENCLOSED ON TOP AND BOTTOM.
- BALLAST SHALL BE HIGH POWER FACTOR (≥ .9) ETL CEN APPROVED CLASS P WITH SOUND RATING OF "A". BALLASTS FOR 30 AND 40 WATT LAMPS SHALL BE RAPID START. BALLASTS FOR 40 WATT LAMPS SHALL BE ENERGY SAVING TYPE. SECURE BALLASTS TO HOUSING WITH AT LEAST ONE SCREW AND SLIP-ON BRACKET OR 2 SCREWS - ONE AT EACH END.
- WHERE LUMINAIRE REQUIRES SEPARATELY SWITCHED UP LIGHT, LUMINAIRE SHALL HAVE 2 BALLASTS AND METAL Baffle BETWEEN LAMPS.

TYPE A	TYPE B	TYPE C
2 - 20 W LAMPS	2 - 30 W LAMPS	2 - 40 W LAMPS

WALL MOUNTED FLUORESCENT STYLE NL-4

LUMINAIRE REQUIREMENTS

- HOUSING SHALL BE 0.032" MINIMUM THICKNESS DIE FORMED COLD ROLLED STEEL. CHEMICALLY TREATED FOR RUST PREVENTION AND FINISHED WITH BAKED ENAMEL OR POLYESTER FINISH. PROVIDE TOP AND END KNOCKOUTS.
- HOUSING WELDED OR SECURED BY SCREWS OR RIVETS INTO A SINGLE ASSEMBLY. PROVIDE INTERNAL PROVISIONS FOR GROUNDING.
- REFLECTOR SHALL BE 0.032" MINIMUM THICKNESS STEEL (GOLD WHEN LUMINAIRE IS MOUNTED BELOW CATWALKS, ETC.). 10-20% APERTURED WHEN PROTECTED FROM FALLING OBJECTS. PROVIDE 30° SHIELDING CENTER HUE. CHEMICALLY TREAT FOR RUST PREVENTION AND FINISH WITH WHITE BAKED ENAMEL, PORCELAIN ENAMEL, OR POLYESTER FINISH. MINIMUM REFLECTANCE SHALL BE 85%.
- THE LUMINAIRE SHALL NOT PERMANENTLY DISTORT WHEN LIFTED BY ONE CORNER.
- SPACING TO MOUNTING HEIGHT RATIO = 1.3.
- LUMINAIRE SHALL BE CAPABLE OF CONTINUOUS ROW AND SINGLE UNIT PLACEMENT WITH PENDANT OR SURFACE MOUNTING.
- PROVIDE SPRING LOADED PLUNGER TYPE LAMP SOCKETS.
- BALLAST SHALL BE HIGH POWER FACTOR (≥ .9) ETL, CEN APPROVED CLASS P ENERGY SAVING BALLAST WITH A SOUND RATING OF B (RAPID START OR SLIMLINE).
- MINIMUM COEFFICIENT OF UTILIZATION (CU) WITH THE FOLLOWING CAVITY REFLECTANCE OF: CEILING = 80% WALL = 50% FLOOR = 20% LUMINANCE USING 3100 LAMP WITH AVG. MAX. RATIO NOT TO EXCEED 1:5.

ROOM CAVITY RATIO	CU	AVG. LUMINANCE (FL)
1	0.85	95 = 1350
2	0.73	95 = 1250
3	0.68	95 = 1125
4	0.60	75 = 750
5	0.50	85 = 450

TYPE A - 48" 2 LAMP 430 MA.
TYPE B - 96" 2 LAMP 430 MA.

INDUSTRIAL FLUORESCENT STYLE NL-6

LUMINAIRE REQUIREMENTS

- 0.024" MINIMUM THICKNESS STEEL CHANNEL. WELD RIVET OR SCREW END PLATES IN PLACE.
- CHEMICALLY TREAT STEEL FOR RUST PREVENTION AND FINISH WITH BAKED WHITE ENAMEL.
- PROVIDE SPRING LOADED PLUNGER TYPE LAMP SOCKETS.
- BALLAST SHALL BE HIGH POWER FACTOR (≥ .9) ETL, CEN APPROVED, ENERGY SAVING CLASS P BALLAST WITH A SOUND RATING OF C.

5. HOUSING SHALL HAVE INTERNAL PROVISIONS FOR GROUNDING.

6. PROVIDE 0.02" MINIMUM THICKNESS STEEL REFLECTOR (SYMMETRIC OR ASYMMETRIC AS INDICATED) WHEN INDICATED.

TYPE A	TYPE B	TYPE C	TYPE D	TYPE E	TYPE F
1 LAMP 48" LONG 430 MA.	2 LAMPS 48" LONG 430 MA.	1 LAMP 96" LONG 430 MA.	2 LAMPS 96" LONG 430 MA.	2 LAMPS F40 (1 IN TANDER) 96" LONG 430 MA.	4 LAMPS F40 (1 IN TANDER) 96" LONG 430 MA.

STRIP FLUORESCENT STYLE NL-7

LUMINAIRE REQUIREMENTS

- HOLDED 100% ACRYLIC DIFFUSE LENS (NOT CLEAR) FULLY GASKETED WITH FIBERGLASS OR PLASTIC HOUSING.
- PROVIDE A MINIMUM OF 6 PLASTIC LATCHES TO SECURE LENS.
- BALLAST SHALL BE HIGH POWER FACTOR (≥ .9) ETL, CEN APPROVED RAPID START CLASS P ENERGY SAVING BALLAST WITH A SOUND RATING OF "A". SECURE BALLAST TO HOUSING WITH AT LEAST ONE SCREW AND SLIP-ON BRACKET OR 2 SCREWS - ONE AT EACH END.
- UL LISTED FOR DAMP LOCATION. PROVIDE UL "WET" LABEL WHEN INDICATED.
- OVERALL LUMINAIRE LENGTH SHALL BE 48" NOMINAL.
- MINIMUM COEFFICIENT OF UTILIZATION (CU) WITH CAVITY REFLECTANCES OF: BOX CEILING, 50% WALLS AND 20% FLOOR SHALL BE:

CU	AVG. LUMINANCE (FL)
1	0.87
2	0.73
3	0.59
4	0.45

7. MINIMUM SPACING TO MOUNTING HEIGHT RATIO SHALL BE 1.3.

8. HOUSING SHALL HAVE INTERNAL PROVISIONS FOR GROUNDING.

TYPE A - UP TO 2-100W A-19 INCANDESCENT LAMPS
MAX. DIMENSIONS 12"x12"x6" D

TYPE B - 35W, 50W OR 70W HIGH PRESSURE SODIUM LAMP AS INDICATED
MAX. DIMENSIONS 12-1/2"x12-1/2"x6-1/2" D

TYPE C - 20 OR 22W FLUORESCENT CIRCLINE
MAX. DIMENSIONS = 12"x12"x6" D

WET/DAMP LOCATION LUMINAIRE STYLE NL-8

LUMINAIRE REQUIREMENTS

- 0.024" INCH MINIMUM THICK STEEL OR ALUMINUM BACK PLATE.
- POLYCARBONATE PRISMATIC OR OPAL LENS HELD IN PLACE WITH 4 STAINLESS STEEL SCREWS.
- FULLY GASKETED AROUND LENS AND BETWEEN LUMINAIRE AND CEILING WITH DOUBLE BAKED NEOPRENE GASKETS.
- UL LISTED FOR DAMP LOCATIONS.
- MOUNT BACKPLATE TO CEILING WITH 4-7/8" 3 SCREWS OR ANCHORS.
- PROVIDE WIRING COMPARTMENT SUITABLE FOR USE WITH 60 C WIRE INSULATION.
- PROVIDE INTERNAL PROVISIONS FOR GROUNDING.

TYPE A: CEILING MOUNT
TYPE B: WALL MOUNT

CEILING MOUNTED VANDAL-RESISTANT LUMINAIRE STYLE NL-46

LUMINAIRE REQUIREMENTS

- PROVIDE WITH ALUMINUM OR POLYCARBONATE BACKPLATE.
- PROVIDE ACRYLIC OR POLYCARBONATE PRISMATIC (NON-CLEAR) LENS.
- MAXIMUM DIMENSIONS SHALL BE 8" W X 20" H X 6-1/2" D (TYPE A), 7" W X 12" H X 9" D (TYPE B).
- PROVIDE SOCKET AND 120 VOLT BALLAST SUITABLE TO SERVE A 18W LOW PRESSURE SODIUM LAMP.
- PROVIDE HIGH POWER FACTOR (≥ .8) BALLAST.
- PROVIDE INTERNAL GROUNDING LUG.

LOW PRESSURE SODIUM FIXTURE STYLE NL-26

LUMINAIRE REQUIREMENTS

- PROVIDE WITH TORSION SPRINGS FOR EASY RELAMPING.
- UL LISTED FOR DAMP LOCATION
- PROVIDE WITH THERMAL PROTECTION.
- PROVIDE SUITABLE MOUNTING FRAME FOR CEILING CONSTRUCTION AT FIXTURE LOCATION.

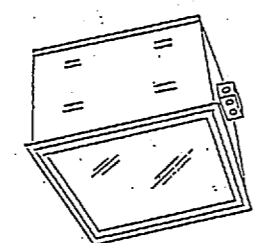
FIXTURE DETAIL
NOT TO SCALE

10 9 8 7 6 5 4 3 2 1

<p>RECORDED DRAWING</p> <p>DATE: 1-30-61</p> <p>BY: [Signature]</p>		<p>E-13</p>
<p>DEPARTMENT OF THE NAVY</p> <p>NAVAL FACILITIES ENGINEERING DIVISION</p> <p>NAVAL HOSPITAL CAMP LEJEUNE, N.C.</p> <p>BACHELOR ENLISTED QUARTERS</p>		
<p>PROJECT NO. 257785</p> <p>JOB ORDER NO. 85506</p> <p>STA. PROJ. P-721</p> <p>DR. REF. DWG. LBS</p> <p>FILE NO. 1000 CHANGES Y.L.M.</p> <p>APPROVED BY: [Signature]</p> <p>DATE: 1-30-61</p> <p>ACTIVITY-BA/FACTORY ID: [Signature]</p> <p>DATE: 1-30-61</p>		<p>LIGHTING FIXTURE PLATES AND DETAILS</p> <p>NAVAFAC DRAWING NO. 4157785</p> <p>SIZE: F 80091</p> <p>REVISION CONTROL NO. N62470-85-B-5142</p> <p>DATE AS NOTED WED. 05-85-3306</p> <p>SHEET 63 OF 68</p>

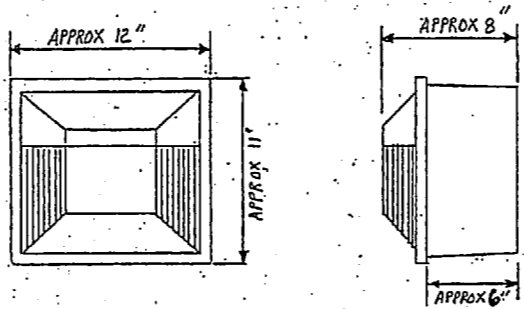
REVISIONS		
NO.	DESCRIPTION	DATE

NPS-16510 (DECEMBER 1981)
SKETCH DATE: MARCH 1983



- 10" X 10" (NOMINAL) SQUARE, 8" MAXIMUM HEIGHT. PROVIDE HARDWARE SUITABLE FOR CEILING MATERIALS USED.
- STEEL OR ALUMINUM HOUSING WITH CORROSION RESISTANT FINISH.
- ALUMINUM REFLECTOR.
- PRISMATIC (OR CLEAR WHEN INDICATED) TEMPERED GLASS LENS SECURED BY CAPTIVE SCREWS OR CAM LATCHES.
- HIGH POWER FACTOR (. 9) INSULATED BALLAST AND AS INDICATED IN THE SPECIFICATIONS.
- ANODIZED ALUMINUM FACE PLATE
- FULLY ENCLOSED & GASKETED, WEATHER PROOF
- U.L. APPROVED FOR WET LOCATIONS.
- PROVIDE LAMP AS INDICATED.
- LAMP AND BALLAST SHALL BE SERVICEABLE FROM THE BOTTOM OF THE FIXTURE UNLESS OTHERWISE NOTED. PROVIDE INTERNAL GROUNDING PROVISIONS.
- SPACING TO MOUNTING HEIGHT RATIO SHALL NOT BE LESS THAN 1:2.

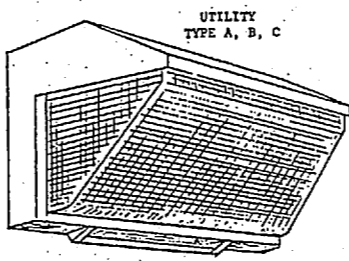
FIXTURE DETAIL
NTS



1. CAST ALUMINUM HOUSING AND COVER PLATE.
- ONE PIECE INJECTION-MOLDED POLYCARBONATE LENS.
- ALZAK FINISH REFLECTOR.
- FULLY ENCLOSED AND GASKETED.
- STAINLESS STEEL HARDWARE.
- U.L. APPROVED FOR WET LOCATIONS.
- HIGH POWER FACTOR BALLAST
- PROVIDE LAMP AS INDICATED.

FIXTURE DETAIL
NTS

NPS-16510 (DECEMBER 1981)
SKETCH DATE: MARCH 1983



UTILITY TYPE A, B, C

MINIMUM REQUIREMENTS

1. CAST ALUMINUM OR 1/8" MIN. THICKNESS EXTRUDED ALUMINUM HOUSING FOR HIGH PRESSURE SODIUM (HPS) AND METAL HALIDE (M.H.) LUMINAIRES.
2. CAST ALUMINUM, 1/8" MIN. THICKNESS EXTRUDED ALUMINUM, AND PLASTIC OR POLYCARBONATE HOUSING FOR LOW PRESSURE SODIUM (LPS) AND 35/50/70W HPS LUMINAIRES.
3. HINGED, U.V. STABILIZED POLYCARBONATE LENS OR HINGED TEMPERED GLASS WITH POLYCARBONATE SHIELD.
4. LAMP SIZE AS INDICATED IN FIXTURE SCHEDULE.

ARCHITECTURAL TYPE D, E

5. PROVIDE ALUMINUM REFLECTOR.
- BALLAST SHALL BE HIGH POWER FACTOR TYPE (. 9) WITH CHARACTERISTICS AS INDICATED.
7. PROVIDE PHOTO ELECTRIC CONTROL WHEN INDICATED.
8. PROVIDE INTERNAL GROUNDING PROVISIONS.

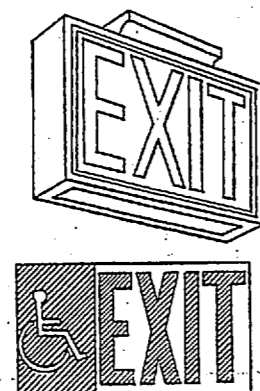
TYPE A, D 35-150W HPS
TYPE B, E 175W H.R.
TYPE C 35, 50W LPS

NOTE: TYPES D AND E MAY BE SUBSTITUTED FOR TYPES A AND B RESPECTIVELY BUT NOT VICE VERSA.

N.L.D. WALL MOUNTED LUMINAIRE

STYLE NL-25

NPS-16510 (DECEMBER 1981)
SKETCH DATE: MARCH 1983



MINIMUM REQUIREMENTS

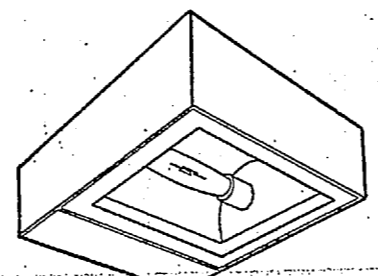
1. LETTERS SHALL BE 8" TALL WITH 3/4" STROKES FORMED BY A STENCIL FACE.
- PROVIDE RED FIBERGLASS PANEL BEHIND STENCIL FACE.
- PROVIDE 2 LONG LIFE INCANDESCENT LAMPS.
- PROVIDE DOWN LIGHT PANEL IN FIXTURE.
- PROVIDE ILLUMINATED AREAS AS INDICATED.
- PROVIDE SINGLE OR DOUBLE FACE AS INDICATED.
- FIXTURE CEILING, END WALL, BACK WALL OR REAR WALL, HUNG BY AS INDICATED.
- UNITS MOUNTED EXPOSED TO THE ENVIRONMENT SHALL HAVE A DAMP OR WET B.L. LAMP AS APPROPRIATE AND SHALL NOT BE CONSTRUCTED OF STEEL.
- PROVIDE INTERNAL PROVISIONS FOR GROUNDING.
- PROVIDE INTERNATIONAL SYMBOL OF ACCESS OR EVER WHEN INDICATED.

TYPE A - ALUMINUM OR PAINTED STEEL HOUSING AND STENCIL FACE. (SEE NOTE 8.)
TYPE B - PLASTIC HOUSING ENCLOSED IN POLYCARBONATE WITH STENCIL ON INSIDE OF POLYCARBONATE HOUSING. (SEE NOTE 8.)

EXIT SIGN

STYLE NL-48

NPS-16510 (MARCH 1983)
SKETCH DATE: MARCH 1983



NOTE: DISTRIBUTION SHALL BE AS SPECIFIED AND SHALL BE IN ACCORDANCE WITH I.E.S. DEFINITIONS.

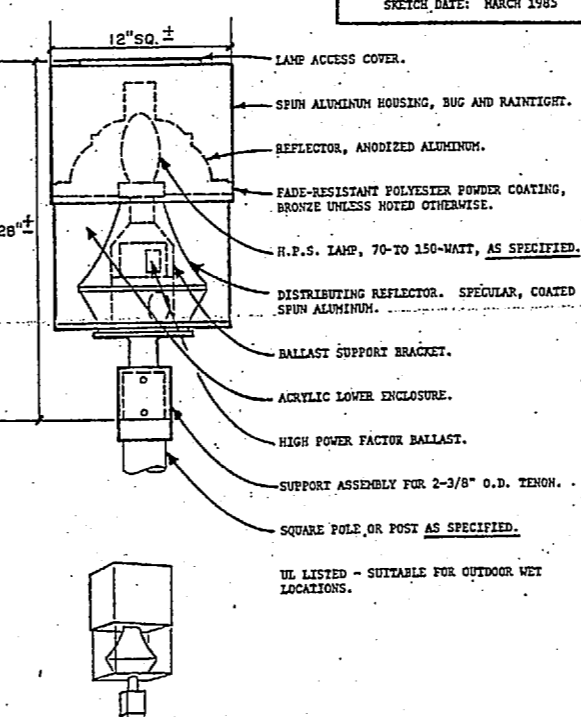
MINIMUM REQUIREMENTS

1. HOUSING - ALUMINUM - EXTRUDED OR FORMED WITH SEALED AND WELDED SEAMS.
- REFLECTOR - FORMED ANODIZED ALUMINUM.
- LENS - TEMPERED, IMPACT-RESISTANT CLEAR GLASS.
- LENS DOOR - HINGED ALUMINUM WITH GASKET, CAPTIVE SCREW OR LATCHES.
- INTERNAL MULTI-TAP BALLAST.
- CONCEALED MOUNTING HARDWARE (ALL HARDWARE CORROSION RESISTANT).
- PORCELAIN SOCKET WITH VIBRATION-PROOF LAMP GRIP SHELL.
- FINISH - DARK BRONZE, BAKED ENAMEL, EXCEPT AS INDICATED.
- SLIPFITTER - 2-3/8" TO 3" O.D. OR BONDING ARM.
- LAMP - 70-TO 100W-WATT, HIGH-PRESSURE SODIUM, VOLTAGE AS SPECIFIED.
- LAMP STABILIZER, 1000-WATT ONLY.
- UL LISTED - SUITABLE FOR OUTDOOR WET LOCATION.
- "MORSE SIDE OR REAR SPELL" LIGHT SHALL BE LIMITED TO 50%, WHEN SO SPECIFIED.

MAX. E.P.A. 3.0 SQ.FT. ROADWAY AND AREA LIGHT

STYLE XL-1

NPS-16530 (MARCH 1983)
SKETCH DATE: MARCH 1983



MINIMUM REQUIREMENTS

- 12" SQ. ± LAMP ACCESS COVER.
- SPIN ALUMINUM HOUSING, SIG AND PAINTPROOF.
- REFLECTOR, ANODIZED ALUMINUM.
- FADE-RESISTANT POLYESTER POWDER COATING, BRONZE UNLESS NOTED OTHERWISE.
- H.P.S. LAMP, 70-TO 150-WATT, AS SPECIFIED.
- DISTRIBUTING REFLECTOR, SPHERICAL, COATED SPIN ALUMINUM.
- BALLAST SUPPORT BRACKET.
- ACRYLIC LENS ENCLOSURE.
- HIGH POWER FACTOR BALLAST.
- SUPPORT ASSEMBLY FOR 2-3/8" O.D. TENDON.
- SQUARE POLE OR POST AS SPECIFIED.
- UL LISTED - SUITABLE FOR OUTDOOR WET LOCATIONS.

PICTORIAL

SQUARE ARCHITECTURAL POST TOP AREA LIGHT

MAX. E.P.A. 3.1 SQ.FT.

STYLE XL-10

RECORD DRAWING
LETTER DATED JAN 21 1991

E-14

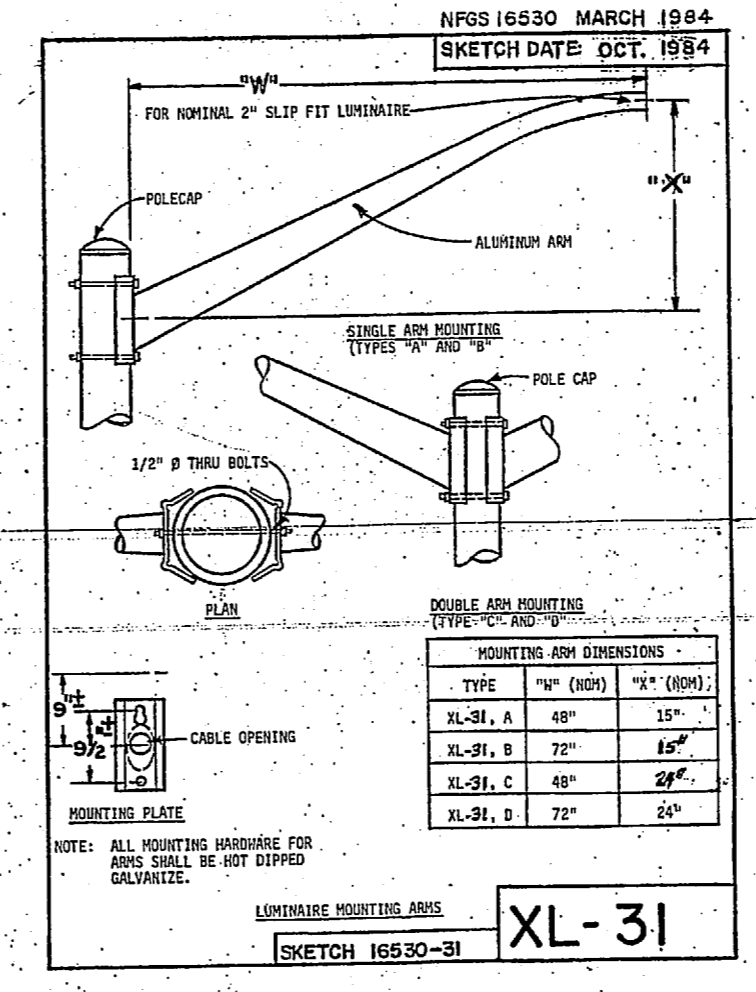
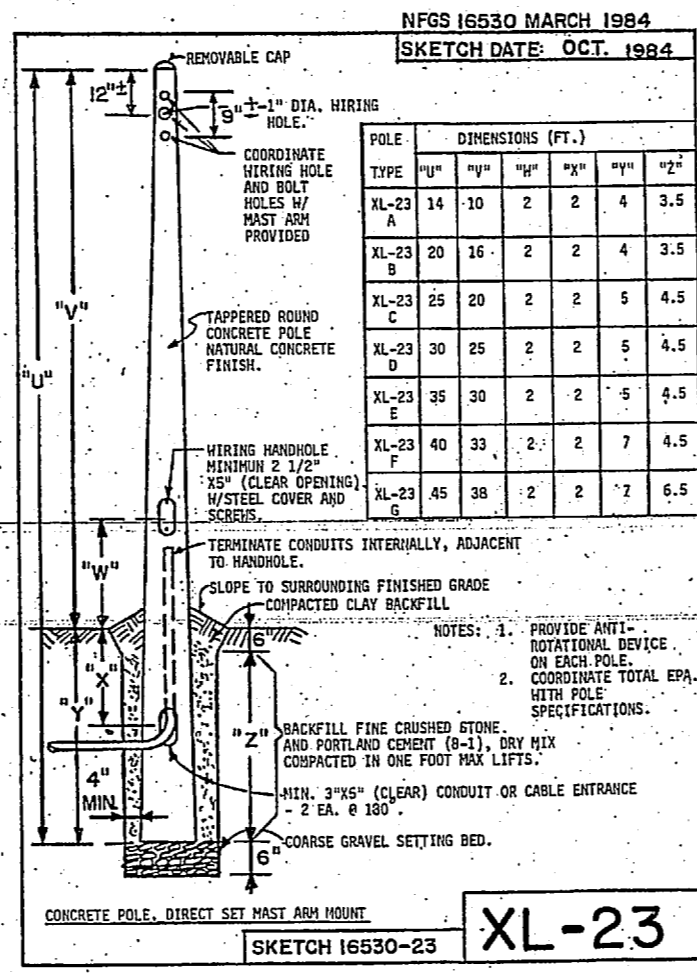
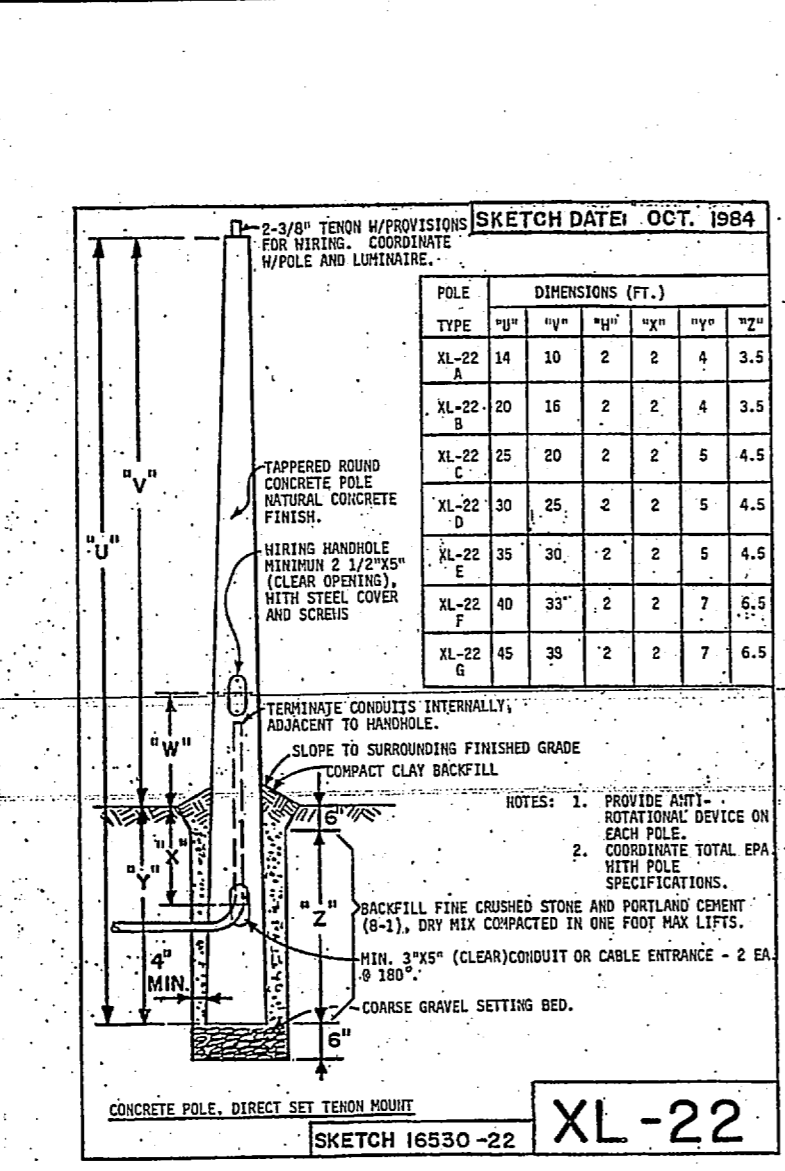
DEPARTMENT OF THE NAVY NAVAL FACILITIES ENGINEERING COMMAND
ATLANTIC DIVISION NORFOLK, VA.

NAVAL STATION CAMP LEJEUNE, N.C.
NAVAL HOSPITAL
BACHELOR ENLISTED QUARTERS

LIGHTING FIXTURE PLATES & DETAILS

NO. 80091 4157786

ACTIVITY - SATISFACTORY TO SUPERVISOR
DATE 11/1/81
SCALE NONE SPEC. 05-85-5306 SHEET 64 OF 68



REVISIONS

NO.	DESCRIPTION	DATE	BY

TS-16302L (SEPTEMBER 1980)

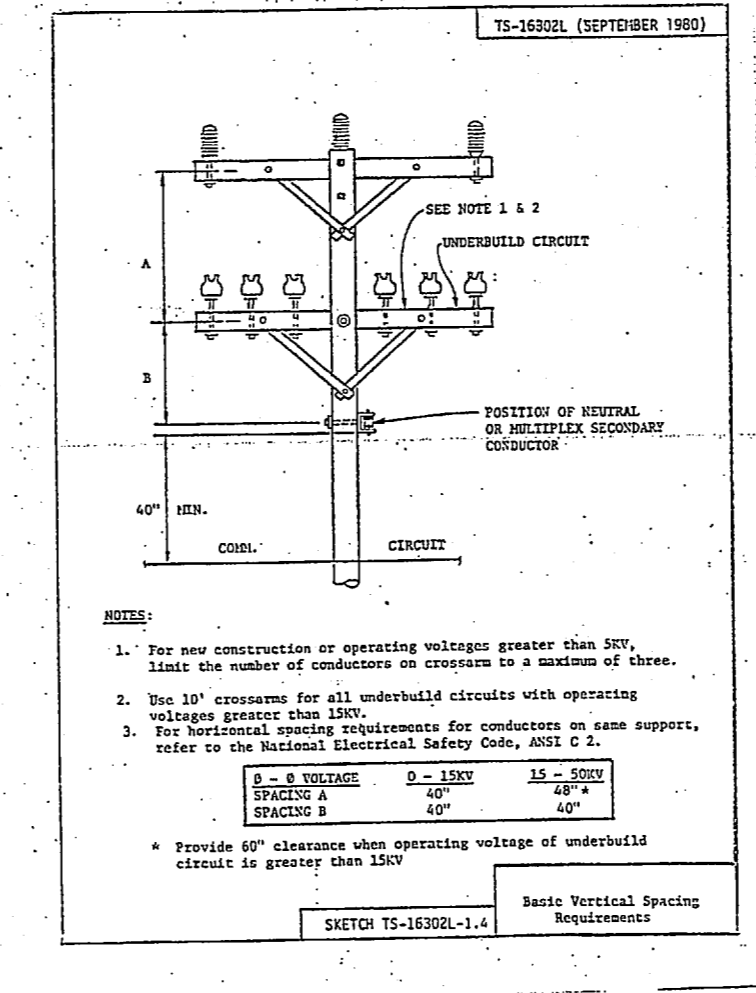
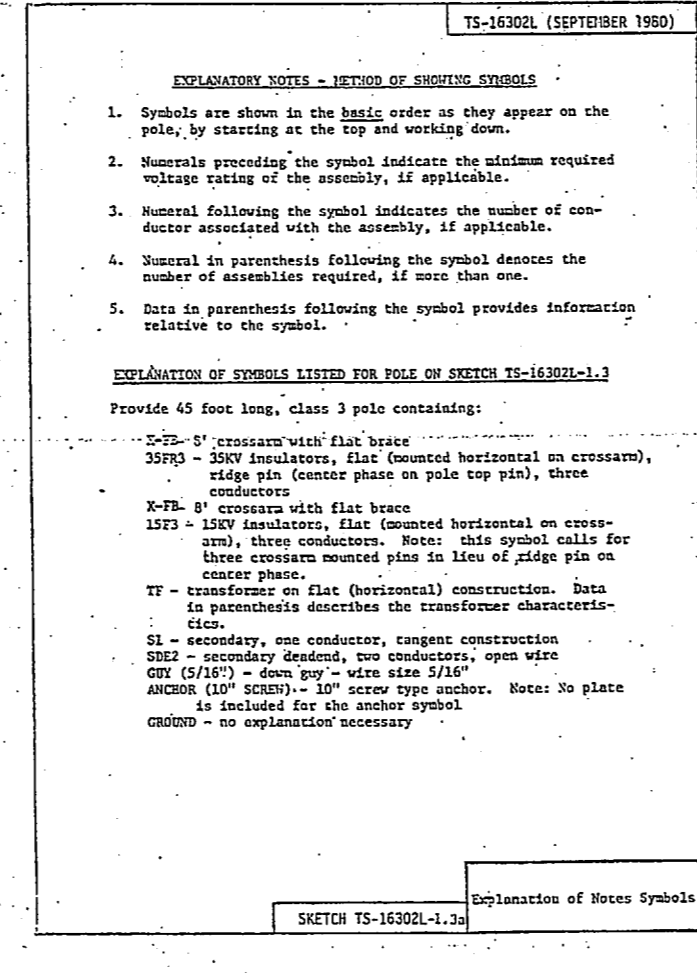
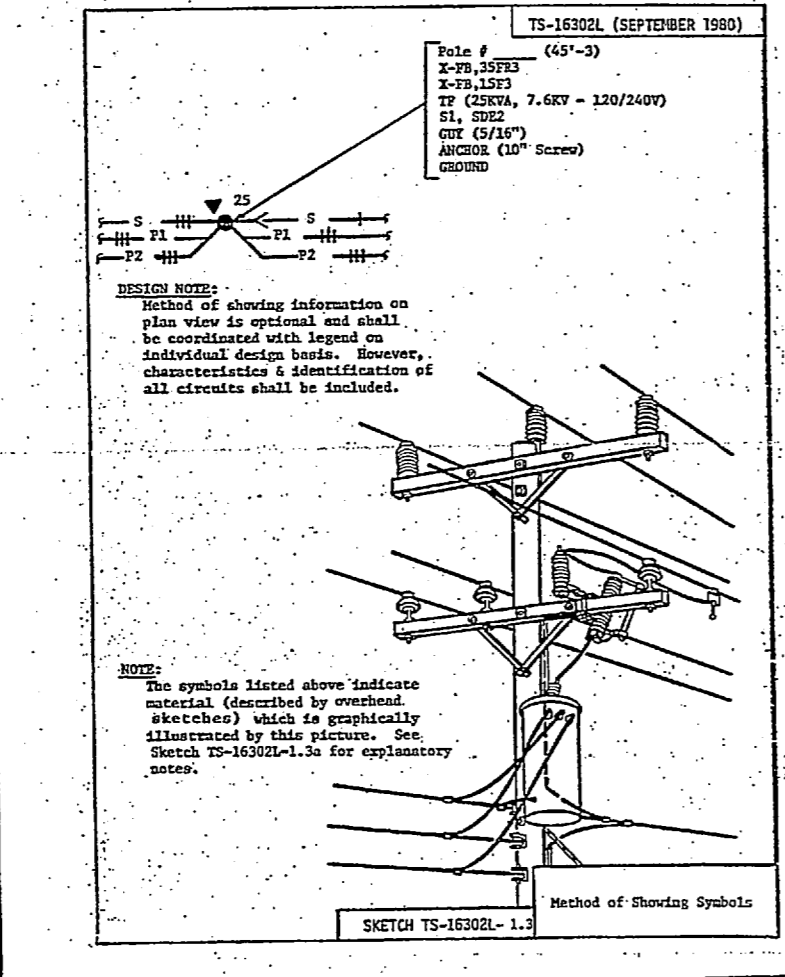
SYMBOL LEGEND

A	ANGLE
AB	ANGLE BRACE
D	DOUBLE
DC	DEADEND
F	FLAT (HORIZONTAL)
FB	FLAT BRACE
LP	LIVE POST
N	NEUTRAL
R	RIDGE OR POLE TOP PIN
S	SECONDARY, OPEN WIRE
Sc	SECONDARY, TRIPLEX
SQ	SECONDARY, QUADRUPLEX
T	TRANSFORMER
TRN	TERMINAL
WB	UNDERBUILT
V	VERTICAL
X	CROSSARM, 10'
X10	CROSSARM, 10'

GENERAL NOTES:

1. Symbols comprising the overhead sketches are not intended to be "all inclusive" for use on every distribution pole line configuration. Only sketches which reflect typical circumstances are included. For other desired arrangements, sketches should be modified or separate details drawn to reflect the specific conditions.
2. Each sketch contains material items which comprise a part of each individual symbol referenced by that sketch. These items are indicated by circled numerals which are identified by Sketch TS-16302L-1.3 and TS-16302L-1.4.
3. Spacing requirements related to individual components of a symbol are indicated on the appropriate sketch. Vertical spacing requirements between circuits and/or systems are indicated on Sketch TS-16302L-1.4. All other separations between circuits, equipment, etc., shall conform to the National Electrical Safety Code - ANSI C1.

Symbol Legend & General Notes
SKETCH TS-16302L-1.1



TS-16302L (SEPTEMBER 1980)

POLE LINE MATERIAL LIST

- 1 Flat steel brace (two pieces)
- 2 8" wood crossarm
- 3 Machine bolt, 3/8" x length needed with washer, nut and lockwasher
- 4 Timber connector
- 5 Lag screw, 1/2" x 4"
- 6 Angle steel brace (two pieces)
- 7 Machine bolt, 1/2" x length needed, with washer, nut & lockwasher
- 8 Insulated box
- 9 Steel pin
- 10 Pin insulator
- 11 Grid gate, used only when there is no pole gate.
- 12 Angle steel brace (one piece)
- 13 10" wood crossarm
- 14 5/8" eye nut
- 15 3/8" eye bolt, length as needed, with washer, nut & lockwasher
- 16 Extension link
- 17 Bell type suspension insulator with connecting hardware
- 18 Deadend clamp
- 19 Steel angle pin
- 20 Cluster mounting bracket, steel
- 21 Transformer grounding connection
- 22 Scirrup
- 23 Secondary lead support bracket
- 24 Adapter plate for cluster mounting
- 25 Clevis bracket for spool insulator
- 26 Spool insulator
- 27 U bolt clamp
- 28 Insulated guy grip
- 29 Guy hook
- 30 Guy anchor insulator
- 31 Guy wire, size as specified
- 32 3/4" MP Cu. soft drawn ground wire
- 33 Ground clamp
- 34 Conductor coupling
- 35 Conduit bend
- 36 Insulated bushing
- 37 Perforated strapping, 1 1/2" wide
- 38 Wire line clamp
- 39 Fused cutout, as specified
- 40 Surge arrester, as specified
- 41 Pole top pin
- 42 Crossarm angle pin
- 43 Angle pole top pin
- 44 Wire, 3/4" MP Cu., (unless otherwise specified) soft drawn
- 45 Tie-mount bracket
- 46 Transformer, porcelain housed
- 47 Mounting bracket
- 48 Cable pin hanger
- 49 Hose clamp

Pole Line Material List
SKETCH TS-16302L-1.3

RECORD DRAWING
LETTER DATED JAN 31 1991

E-15

DEPARTMENT OF THE NAVY
NAVAL FACILITIES ENGINEERING COMMAND
ATLANTIC DIVISION

NAVAL STATION NORFOLK, VA.
NAVAL HOSPITAL CAMP LEJEUNE, N.C.

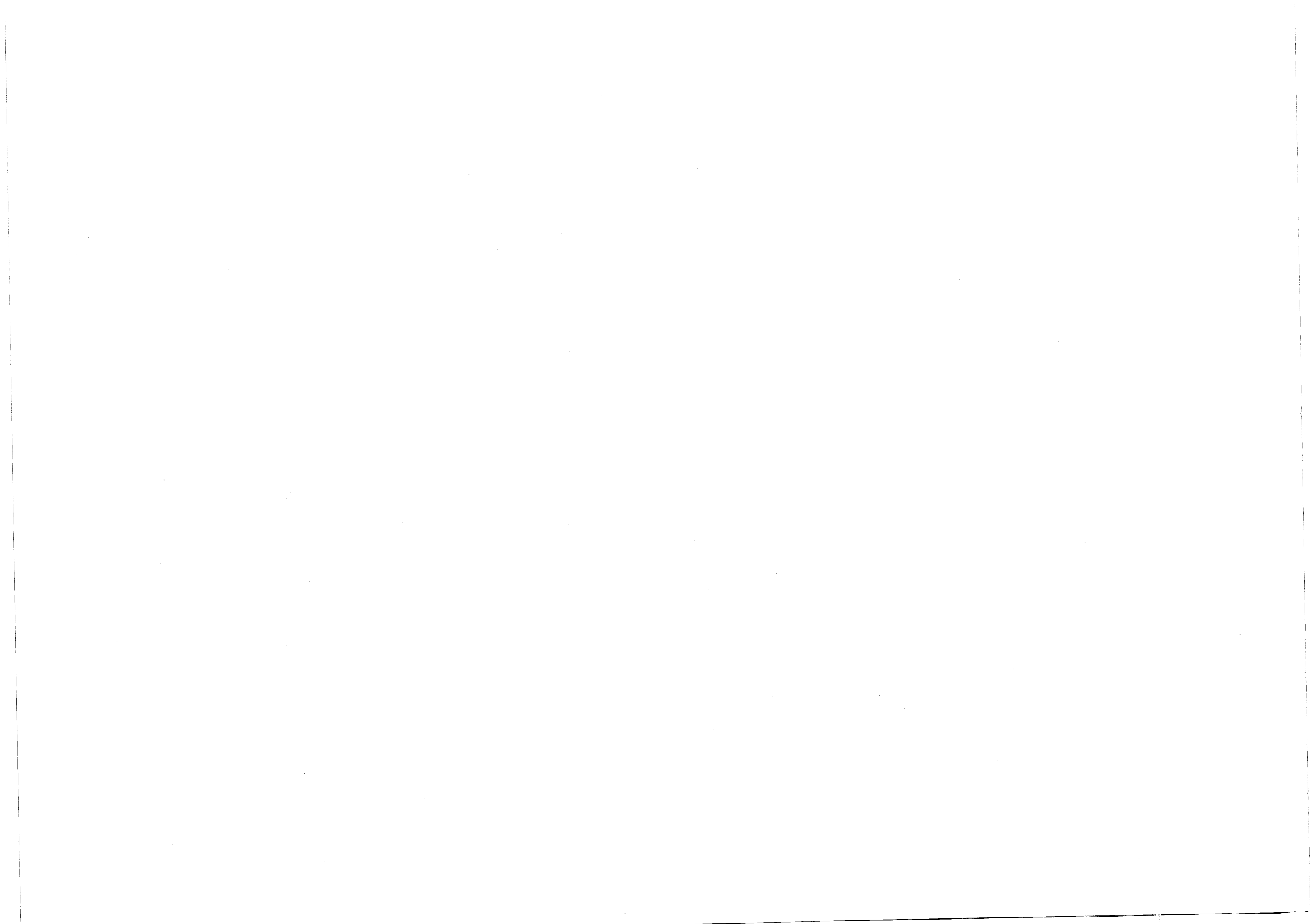
BACHELOR ENLISTED QUARTERS

POLE PLATES

ACTIVITY - SATISFACTORY TO DATE

APPROVED: [Signature] DATE: 1/31/91

FOR INFO FOR COMMANDER: [Signature]



REVISIONS			
NO.	REVISION	DATE	APPROVED

TS-16302L (SEPTEMBER 1980)

POLE LINE MATERIAL LIST

- 1 Stud, 3/4" x 1 3/4"
- 2 Line post insulator
- 3 Triple insulator bracket
- 4 Angle clamp
- 5 Insulator, line post clamp
- 6 1" crossarm
- 7 Crossarm gain bracket
- 8 Halcy bracket
- 9 Wedge clamp
- 10 Midspan service clamp
- 11 Stud, 7"
- 12 Saddle, angle
- 13 Saddle, crossarm
- 14 Fitting, pole top
- 15 Connector
- 16 Suspension clamp
- 17 2in. service cable
- 18 Fiberglass strain insulator

SKETCH TS-16302L-1-1 Pole Line Material List

TS-16302L (SEPTEMBER 1980)

NOTE: DRAWING INDICATES X-FB. SUBSTITUTE 7 FOR 1 AND 10 FOR 4 ON X-AB.

SKETCH TS-16302L-2 X-FB, X-AB

TS-16302L (SEPTEMBER 1980)

NOTES:

- DRAWING REPRESENTS TR3-N. ELIMINATE 1, 2, AND 3 FOR NEUTRAL POSITION ON P.O.L.
- ON CIRCUIT VOLTAGE OPERATING LEVELS GREATER THAN 15 KV, SUBSTITUTE 2 FOR 1, 3 FOR 2 AND 4 FOR 3.
- REFER TO SPECIFICATIONS FOR REQUIRED CLASS OF INSULATORS.

SKETCH TS-16302L-12 TR3-N, TR3 (0-50KV)

NOTES:

- Position of terminal on deadends is for terminal to be under the conductors and the curves on the backside of crossarms. Pole riser must be offset to clear neutral clavin brackets.
- Surge arrester lead shall be connected on line side of fused cutouts. Bottom lead of arrester should be connected directly to pole ground.
- This plate should be used only for radial feeds to individual transformers at other selective applications.

SKETCH TS-16302L-13 (0-50KV)

TS-16302L (SEPTEMBER 1980)

CONDUIT LOCATION

NOTES:

- On conduit riser for primary circuits, eliminate service cap and provide grounding type insulating bushing.
- Connect to grounded neutral or provide ground per specifications.
- Space straps at maximum of 4' intervals.

SKETCH TS-16302L-37 CONDUIT RISER (SIZE AS INDICATED)

TS-16302L (SEPTEMBER 1980)

NOTES:

- Use additional ground rods, when required, to obtain resistance values, as specified.
- Make grounding connections to all equipment on pole as specified.

SKETCH TS-16302L-43 GROUND

TS-16301L (JANUARY 1981)

NOTES:

- FOR DETAILS OF CABLE RACKS, DUCT ENTRANCE, AND PULLING-IN IRONS SEE SKETCH NFCS-16301L-4

SKETCH NFCS-16301L-3 STANDARD ELECTRICAL HANDHOLE - (NON-TRAFFIC) TYPE 1 & 2

NFCS-16301L (JANUARY 1981)

SKETCH NFCS-16301L-4 (PULLING-IN IRONS, CABLE RACK & DUCT ENTRANCE)

RECORD DRAWING
LETTER DATED JAN 31 1981

E-16

DEPARTMENT OF THE NAVY NAVAL FACILITIES ENGINEERING COMMAND
ATLANTIC DIVISION

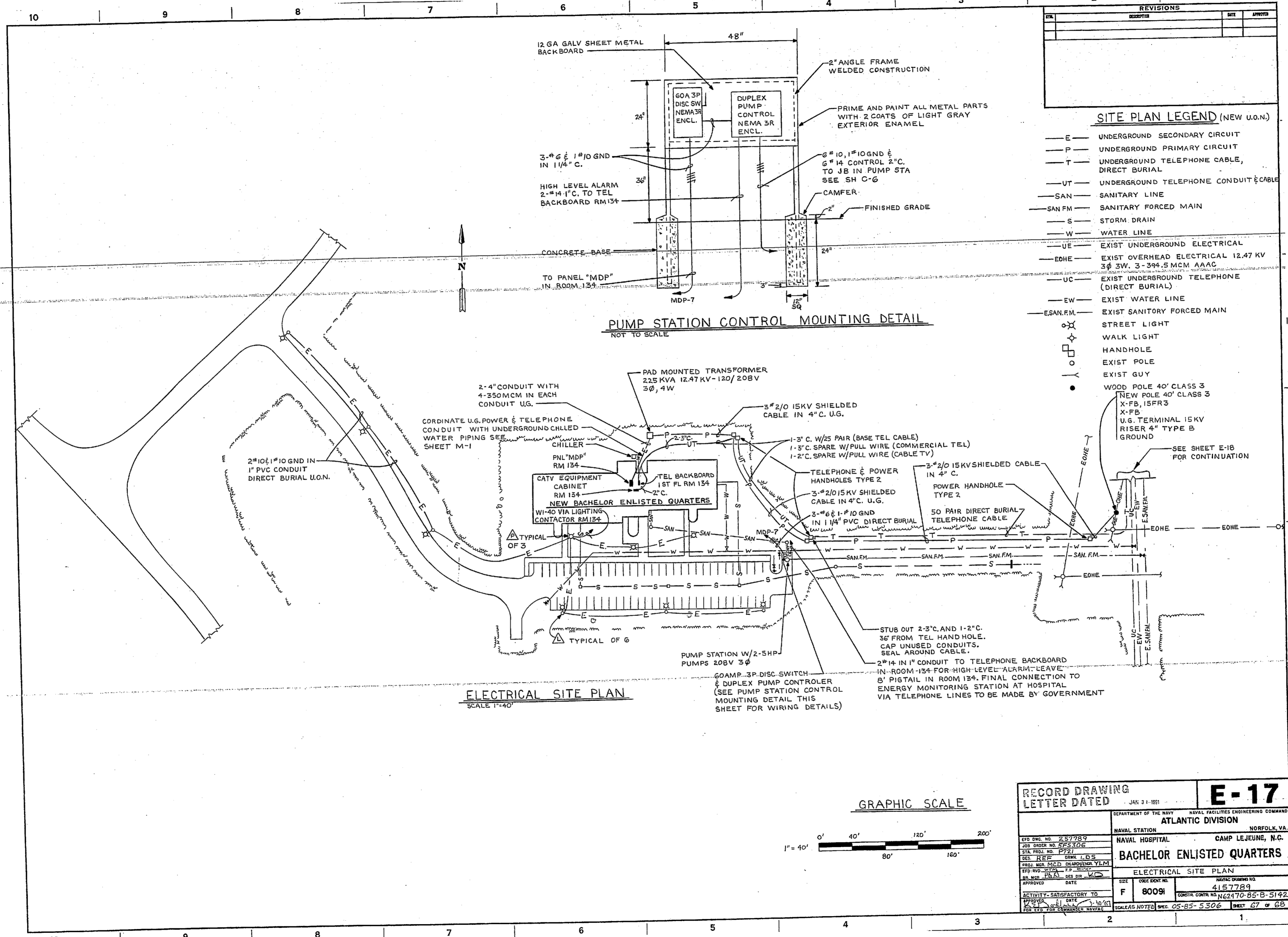
NAVAL STATION NORFOLK, VA.
NAVAL HOSPITAL CAMP LE JEUNE, N.C.

BACHELOR ENLISTED QUARTERS

POLE & HANDHOLE PLATES

NO. 257788
JOB ORDER NO. 87-5306
DESIGNER: K.E.P. OVER L.D.S.
DRAWN: M.C.D. CHECKED: V.L.M.
APP. NO. 2078
DATE: 12/80
ACTIVITY: SATISFACTORY TO: [Signature]
FOR USE FOR COMMAND NAVYAC

SCALE: NONE SPEC: 05-85-5306 SHEET 66 OF 68



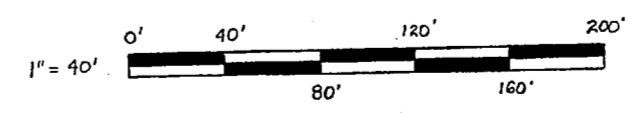
REVISIONS		
NO.	DESCRIPTION	DATE

- SITE PLAN LEGEND (NEW U.O.N.)**
- E— UNDERGROUND SECONDARY CIRCUIT
 - P— UNDERGROUND PRIMARY CIRCUIT
 - T— UNDERGROUND TELEPHONE CABLE, DIRECT BURIAL
 - UT— UNDERGROUND TELEPHONE CONDUIT & CABLE
 - SAN— SANITARY LINE
 - SAN FM— SANITARY FORCED MAIN
 - S— STORM DRAIN
 - W— WATER LINE
 - UE— EXIST UNDERGROUND ELECTRICAL
 - EOHE— EXIST OVERHEAD ELECTRICAL 12.47 KV 3Ø 3W, 3-394.5 MCM AAC
 - UC— EXIST UNDERGROUND TELEPHONE (DIRECT BURIAL)
 - EW— EXIST WATER LINE
 - ESAN FM— EXIST SANITARY FORCED MAIN
 - STREET LIGHT
 - ◇ WALK LIGHT
 - HANDHOLE
 - EXIST POLE
 - EXIST GUY
 - WOOD POLE 40' CLASS 3
 - NEW POLE 40' CLASS 3
 - X-FB, 15FR3
 - X-FB
 - U.G. TERMINAL 15KV RISER 4" TYPE B GROUND

PUMP STATION CONTROL MOUNTING DETAIL
NOT TO SCALE

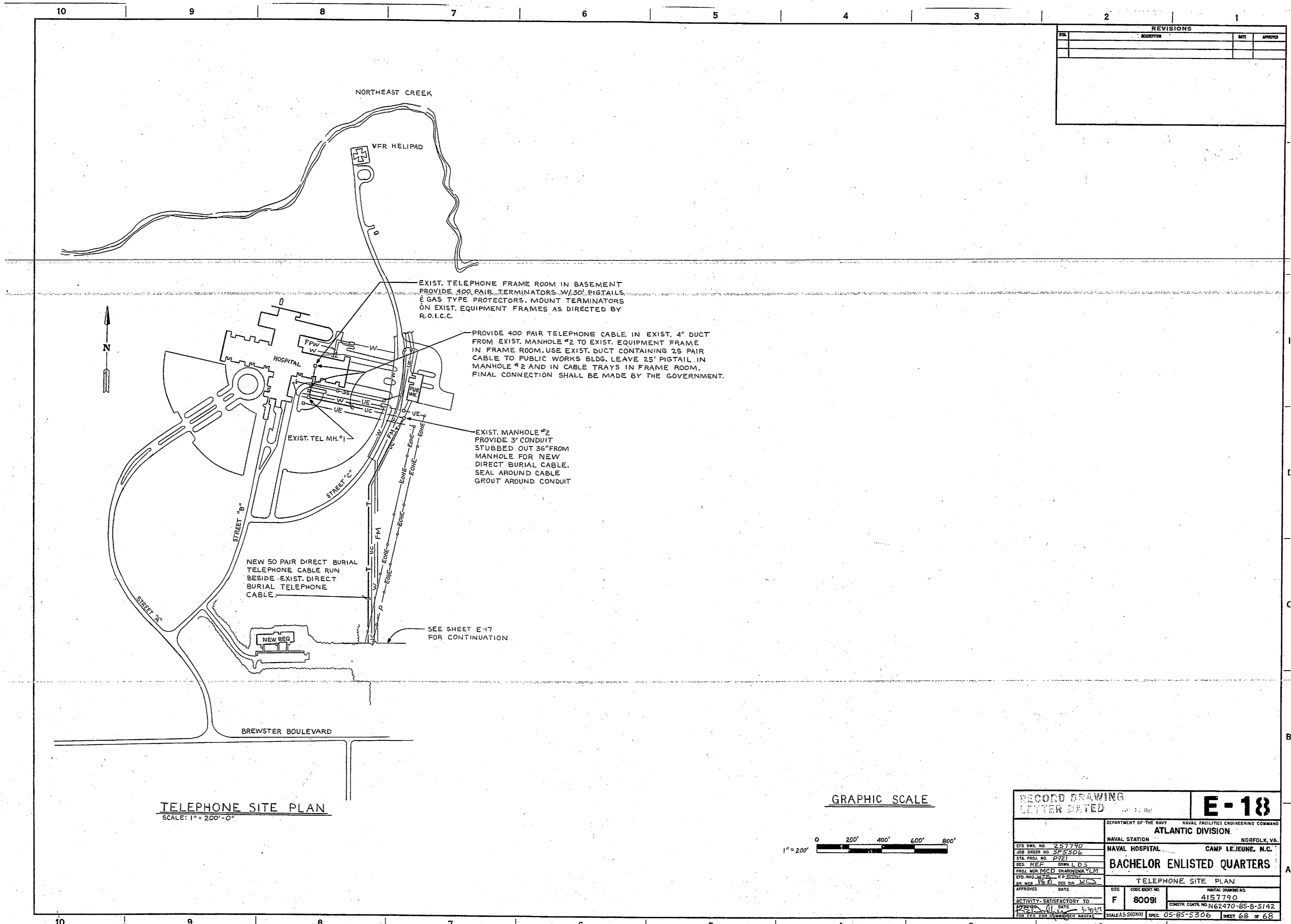
ELECTRICAL SITE PLAN
SCALE 1"=40'

GRAPHIC SCALE



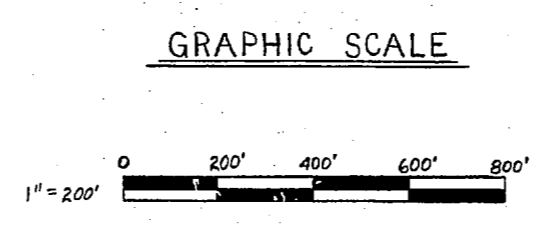
RECORD DRAWING		E-17
LETTER DATED JAN 21 1951		
DEPARTMENT OF THE NAVY NAVAL FACILITIES ENGINEERING COMMAND		
ATLANTIC DIVISION NORFOLK, VA.		
NAVAL STATION		
NAVAL HOSPITAL		CAMP LEJEUNE, N.C.
BACHELOR ENLISTED QUARTERS		
ELECTRICAL SITE PLAN		
SIZE	CODE EXPT. NO.	NAVFAC DRAWING NO.
F	80091	4157784
ACTIVITY: SATISFACTORY TO		CONTRACT CONTROL NO. N27470-85-B-5142
APPROVED: [Signature]		DATE: 1/21/51
DESIGNED: [Signature]		SCALE: NOTED SPEC. 05-85-5306
DRAWN: [Signature]		SHEET 67 OF 68





REVISIONS		
NO.	DESCRIPTION	DATE

TELEPHONE SITE PLAN
SCALE: 1" = 200'-0"



RECORD DRAWING LETTER DATED		E-18	
DEPARTMENT OF THE NAVY NAVAL FACILITIES ENGINEERING COMMAND		ATLANTIC DIVISION NORFOLK, VA.	
NAVAL STATION NAVAL HOSPITAL		CAMP LEJEUNE, N.C.	
BACHELOR ENLISTED QUARTERS		TELEPHONE SITE PLAN	
APPROVED	DATE	SIZE	COORDINATE NO.
		F	80091
ACTIVITY-SATISFACTORY TO	DATE	NAVIC DRAWING NO.	415779-0
		CONTR. CONTR. NO.	N62470-85-B-5142
SCALE(S) SHOWN		SPEC.	05-65-5306
			SHEET 68 of 68

