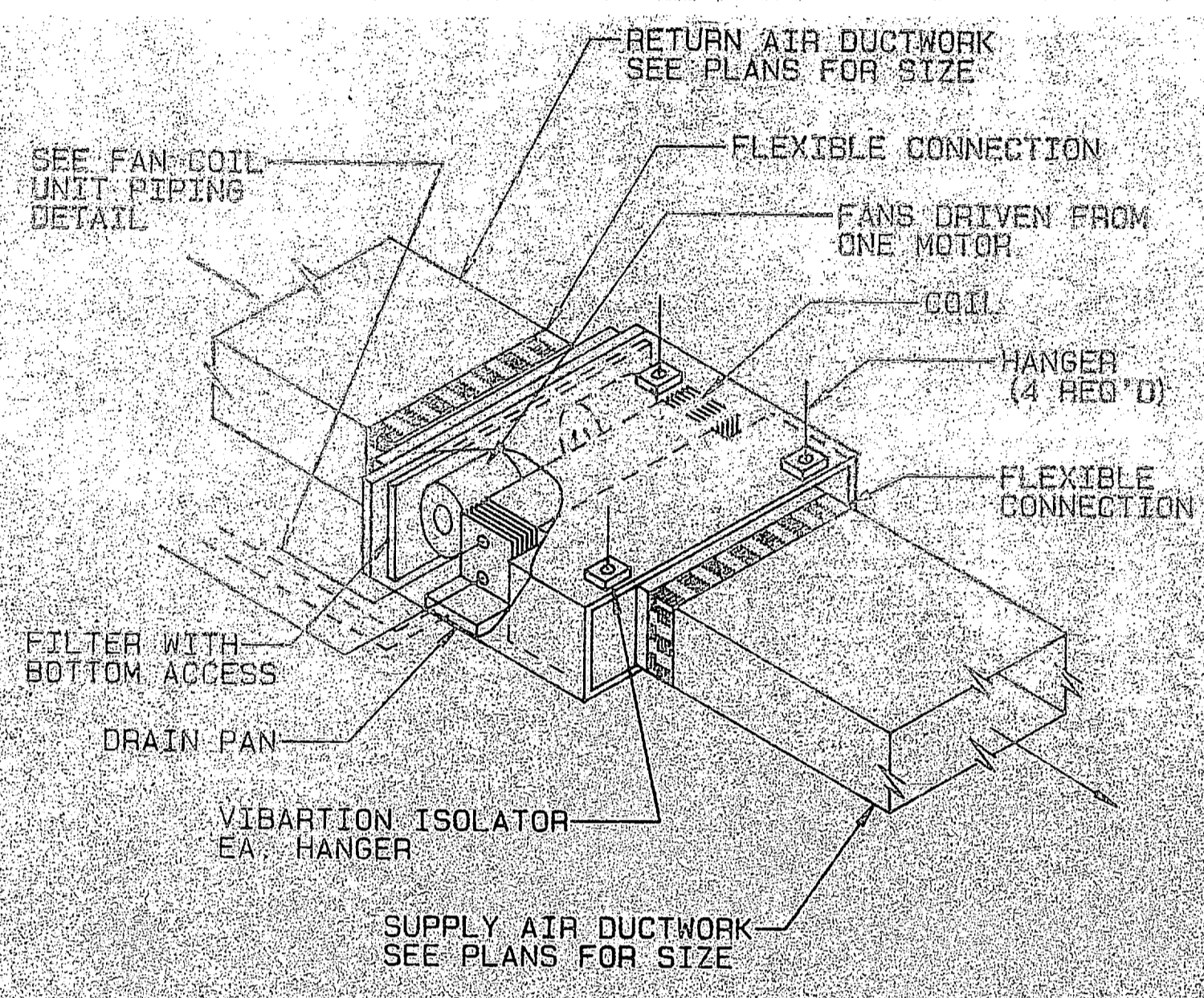
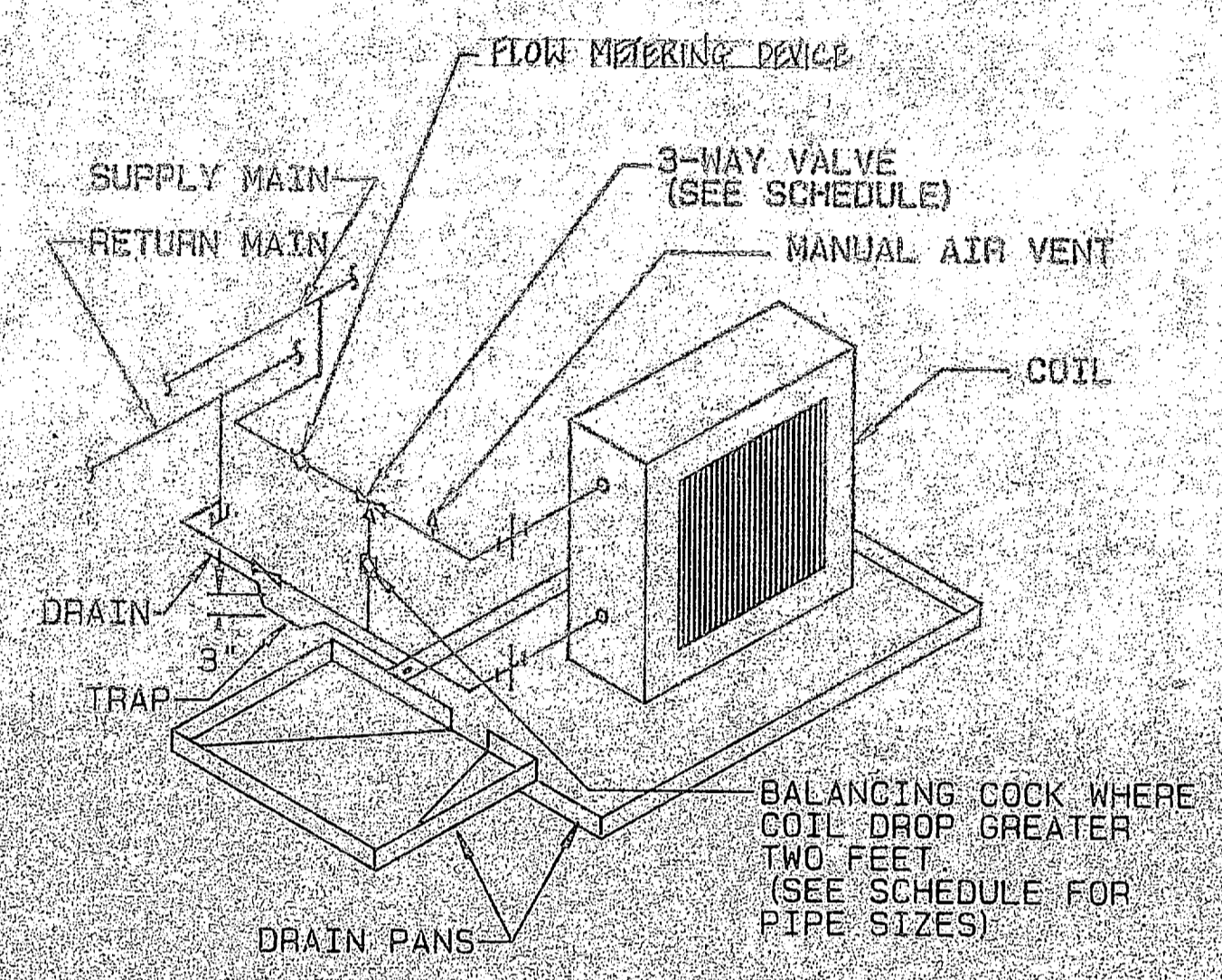


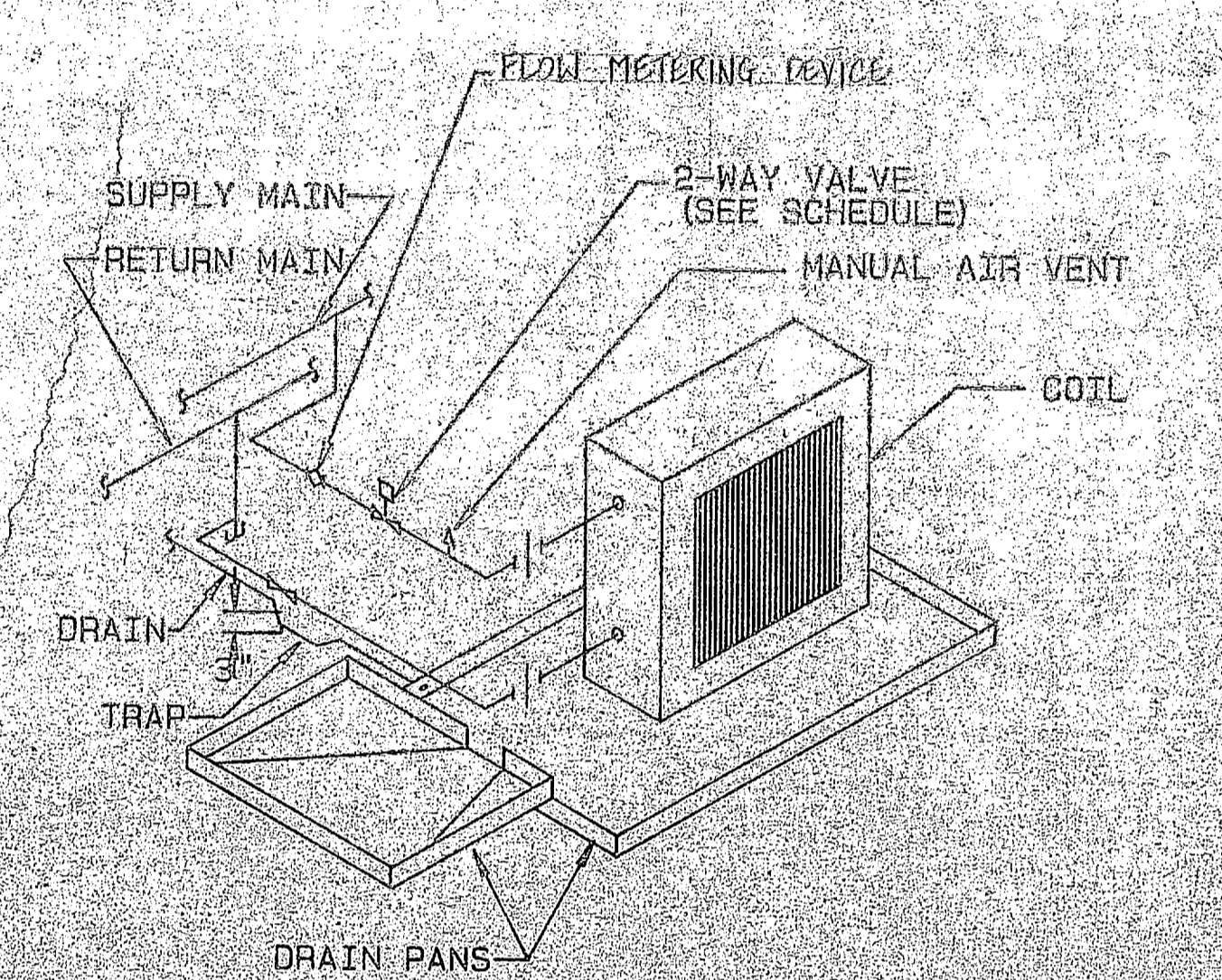
REVISIONS				
SYM	DESCRIPTION	PREP'D BY	DATE	APPROVED
1	GENERAL REVISION	GHS	2/15/30	CF



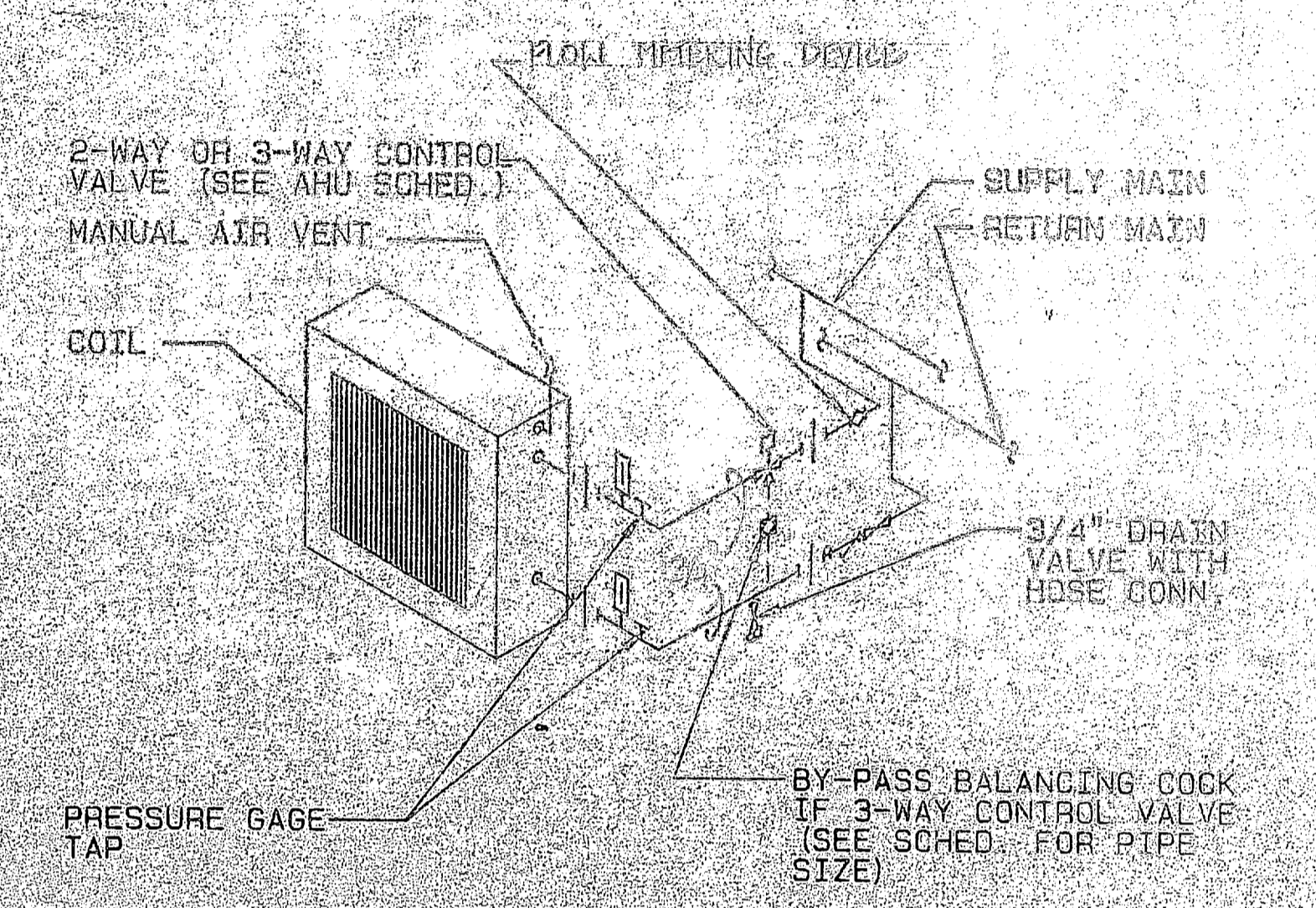
**A** HORIZONTAL CONCEALED FAN COIL UNIT  
NO SCALE



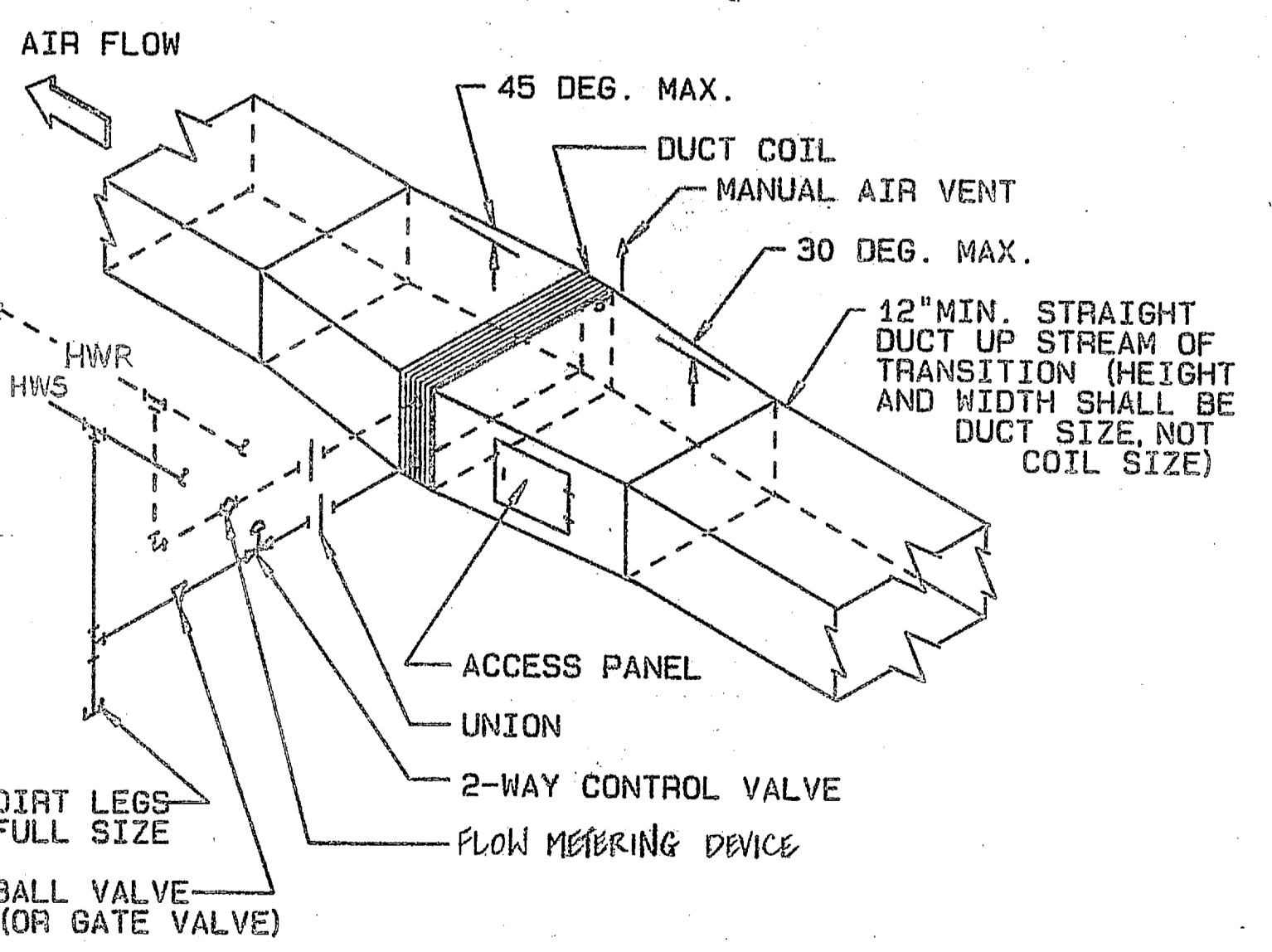
**B** FAN COIL UNIT PIPING  
NO SCALE



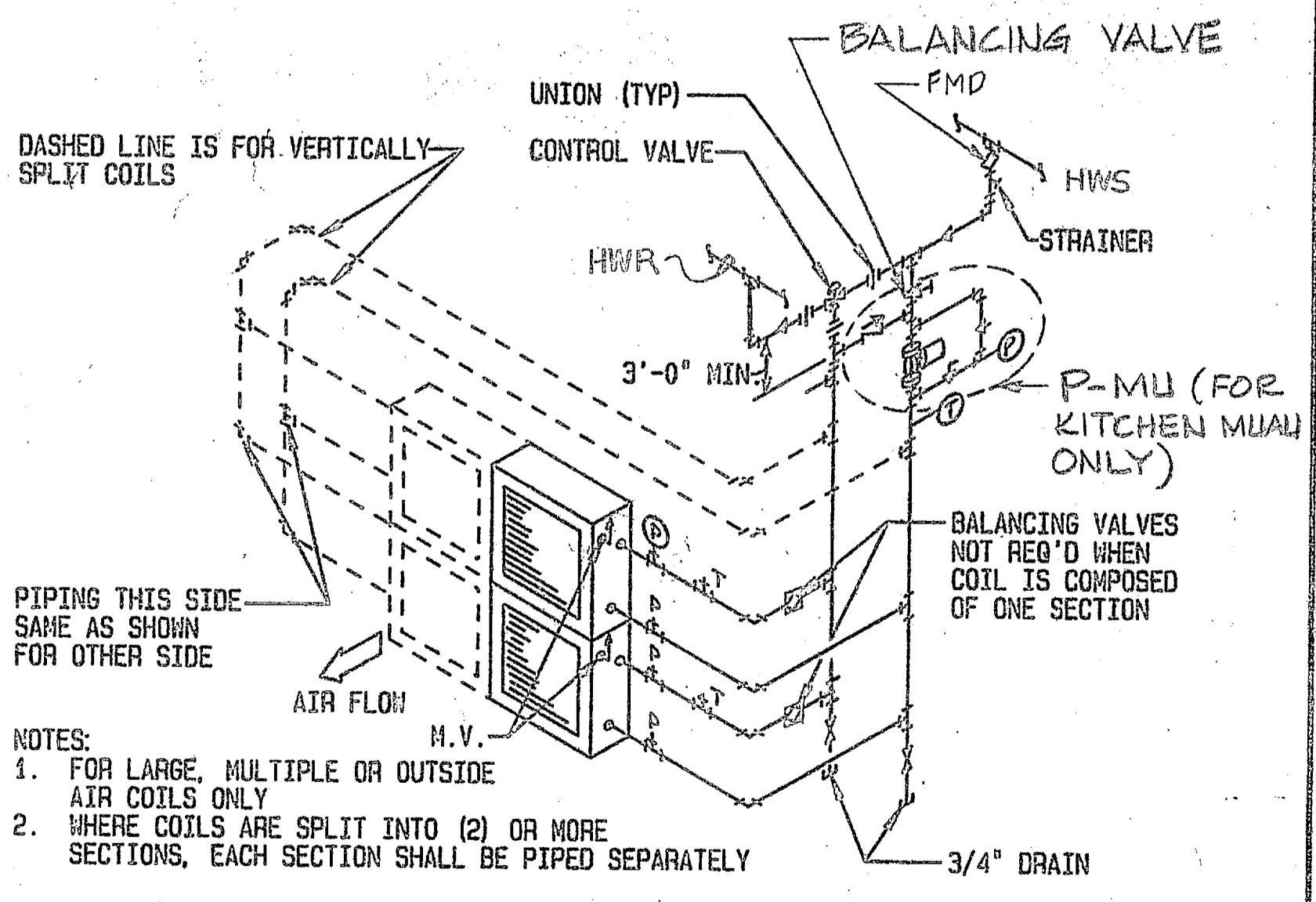
**C** FAN COIL UNIT PIPING  
NO SCALE



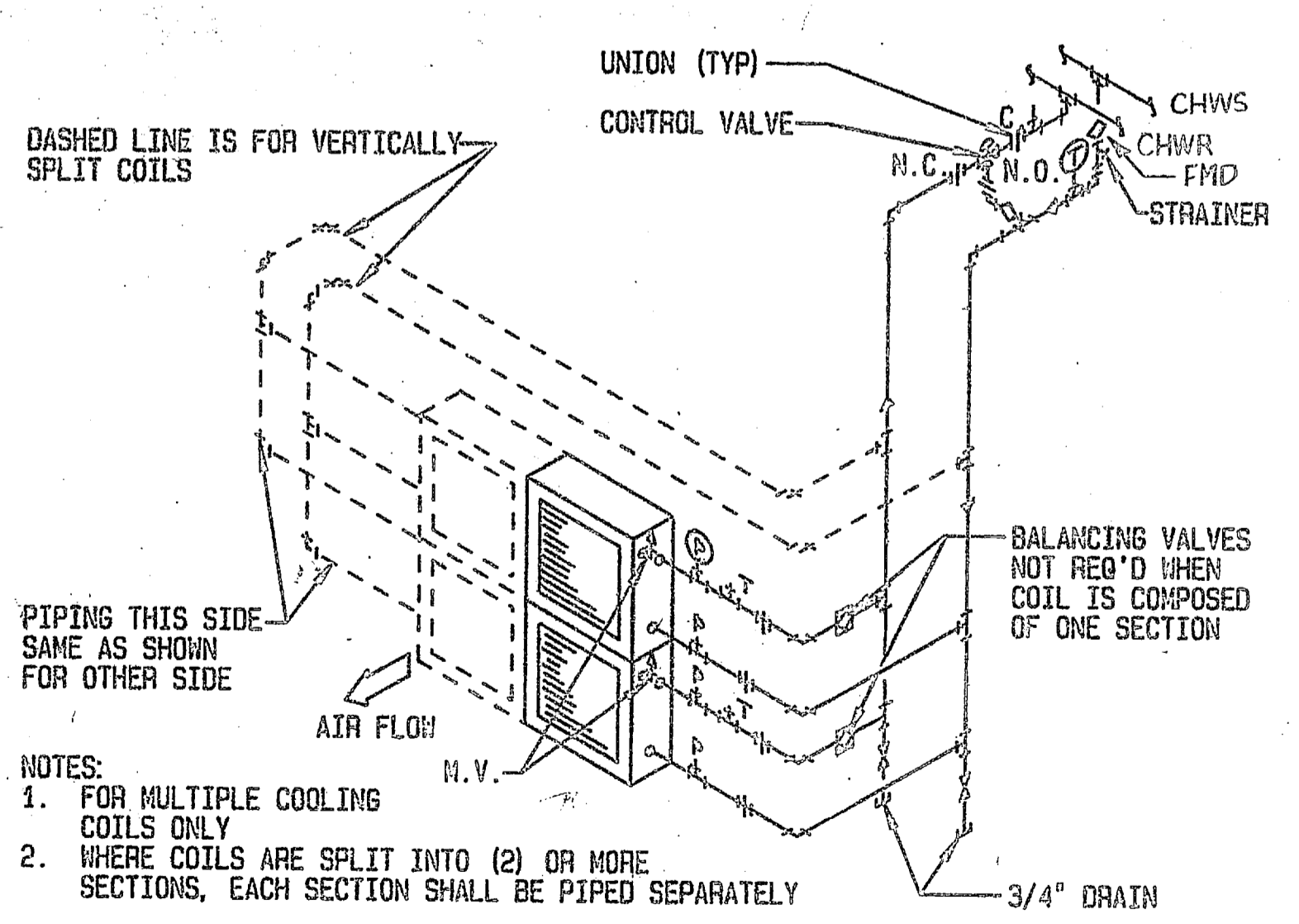
**D** FAN COIL PIPING  
NO SCALE



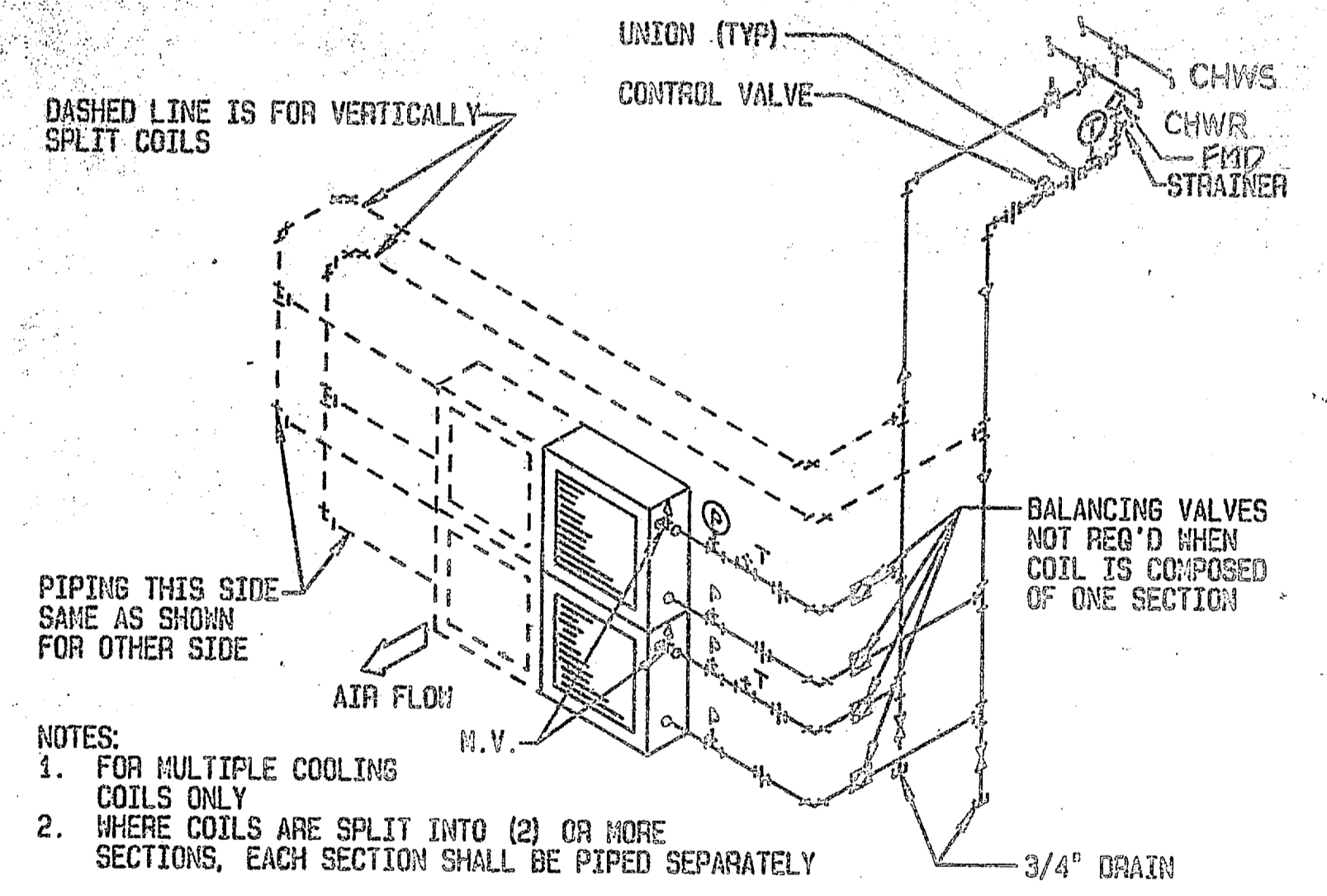
**E** HOT WATER DUCT COIL  
NO SCALE



**F** HOT WATER HEATING COIL PIPING  
NO SCALE

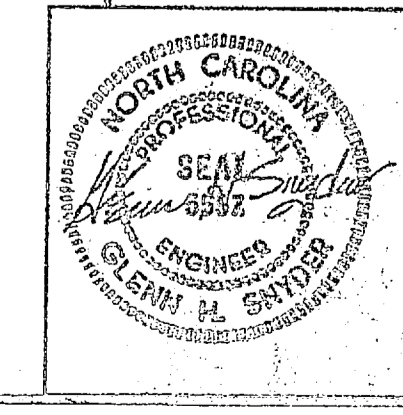


**G** COOLING COIL PIPING DIAGRAM  
NO SCALE (3-WAY VALVE)



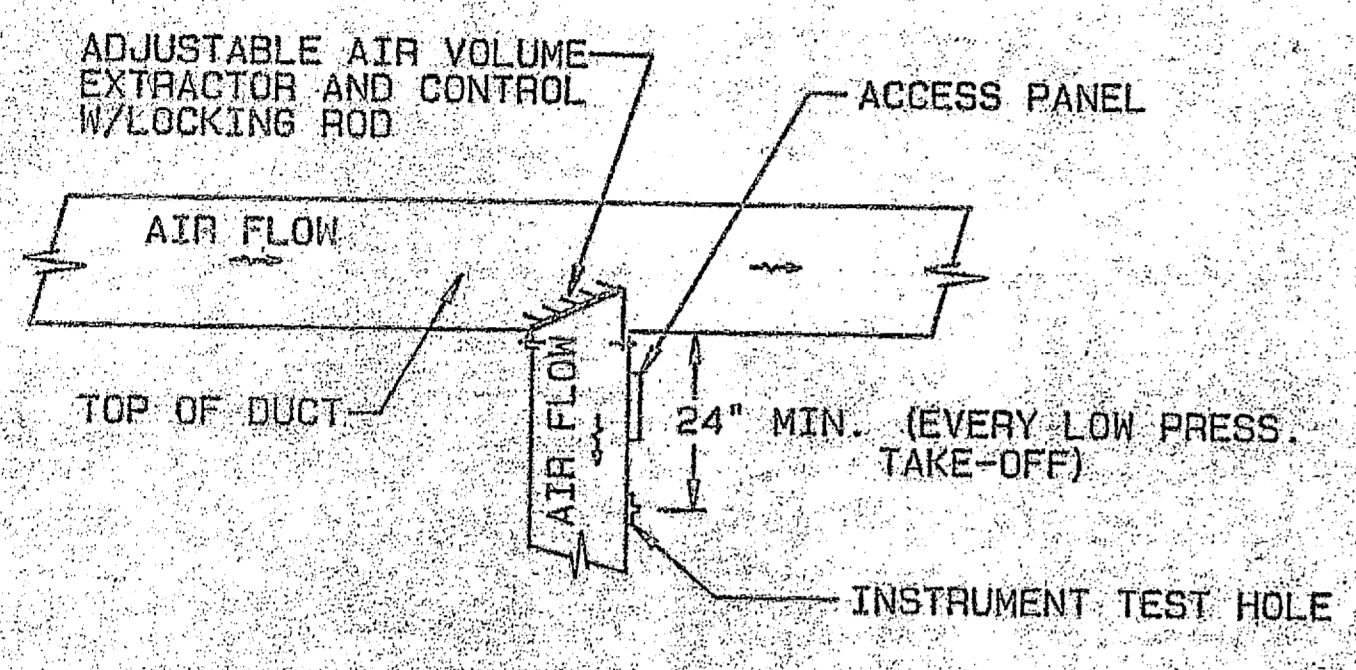
**H** COOLING COIL PIPING DIAGRAM  
NO SCALE (2-WAY VALVE)

<b>PEREGRINE, WALTERS &amp; ASSOCIATES</b> ARCHITECTURE PLANNING INTERIOR DESIGN CHARLOTTE NORTH CAROLINA		DEPARTMENT OF THE NAVY NAVAL FACILITIES ENGINEERING COMMAND NAVAL STATION ATLANTIC DIVISION MARINE CORPS BASE, CAMP LEJEUNE, NORTH CAROLINA NOLFOLK, VIRGINIA	
PROJ. NO. 4124315 DATE 6/27/30 SUBMITTED BY: <i>Charles A. ...</i> TITLE: MECHANICAL NO. 17	DRAWING NO. 4124315 SHEET 160 OF 243	<b>CONVERT HOSPITAL TO DIVISION HEADQUARTERS</b> MECHANICAL DETAILS NAVAC DRAWING NO. 4124315 CONSTR. CONTR. NO. 1336770-02-B-2243 SCALE NO SCALE SPEC. OS-82-2243 (REV.)	

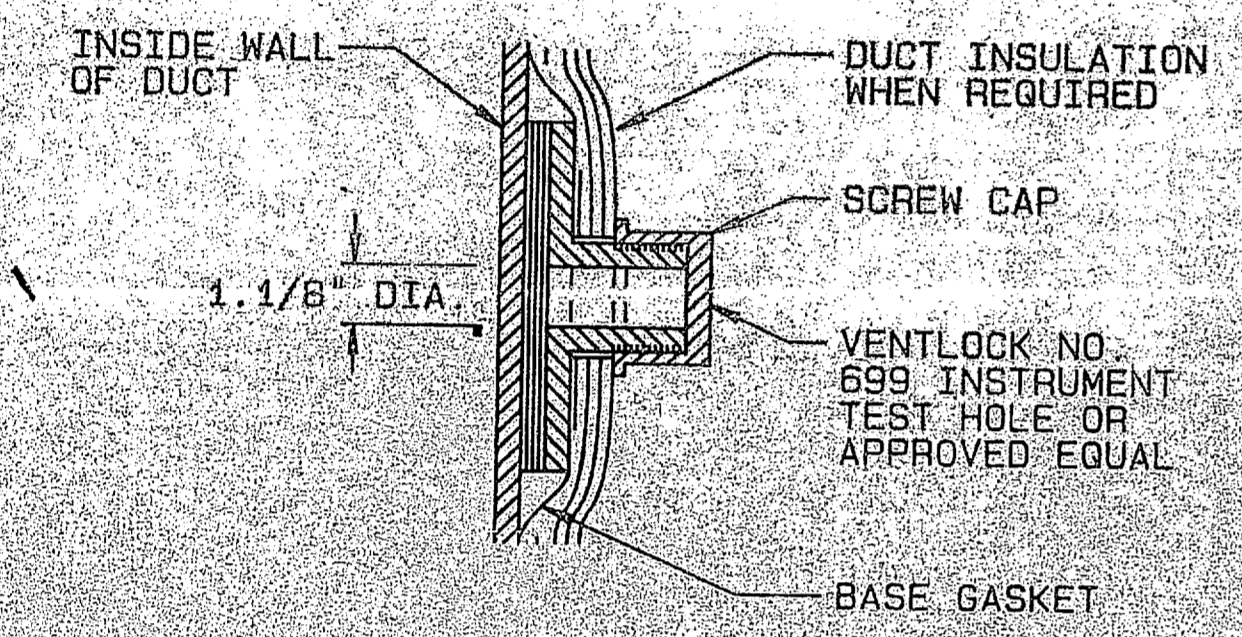




REVISIONS				
SYM	DESCRIPTION	PREP BY	DATE	APPROVED
1	GENERAL REVISION	5135	1/15/65	CP

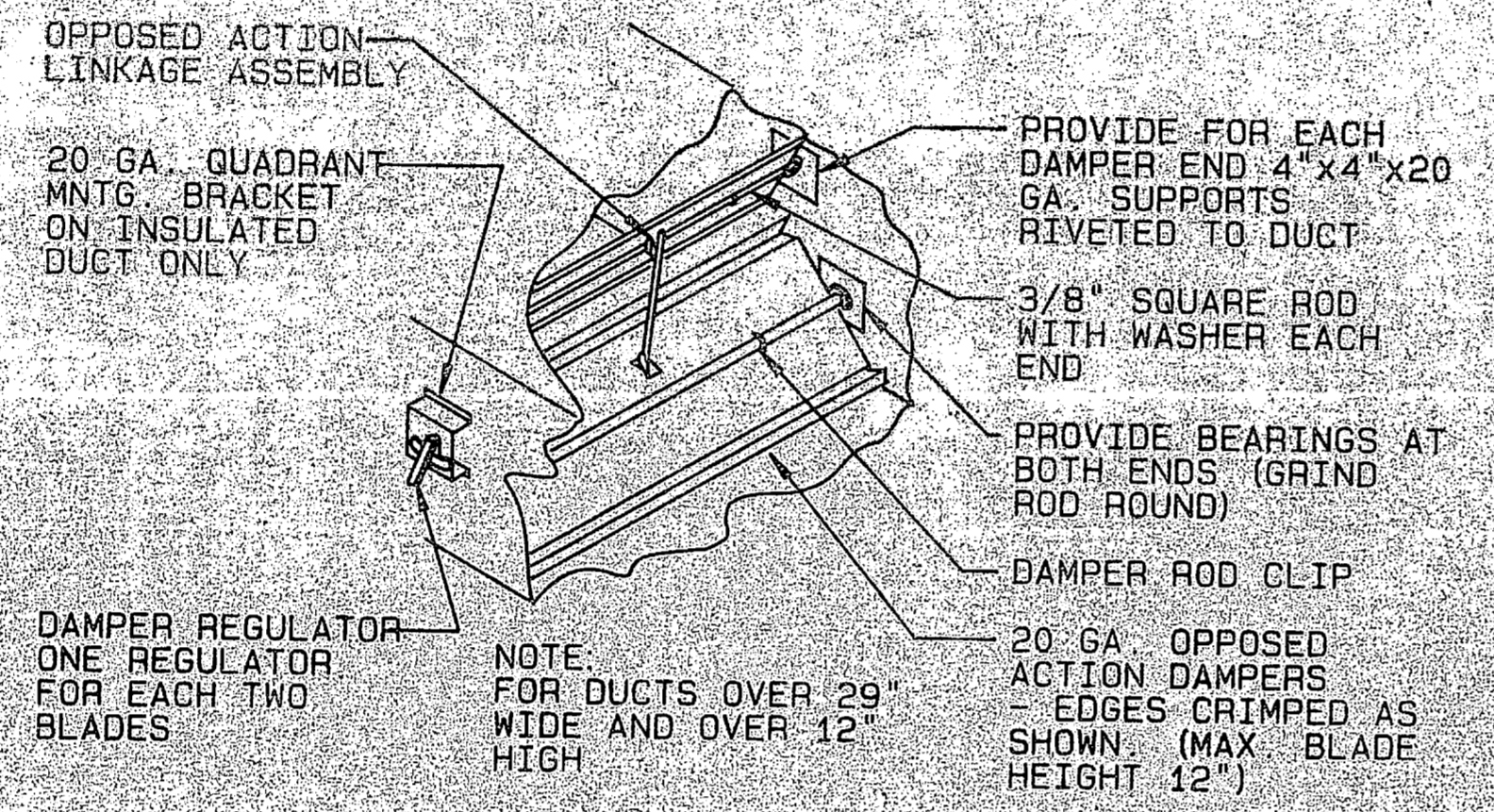
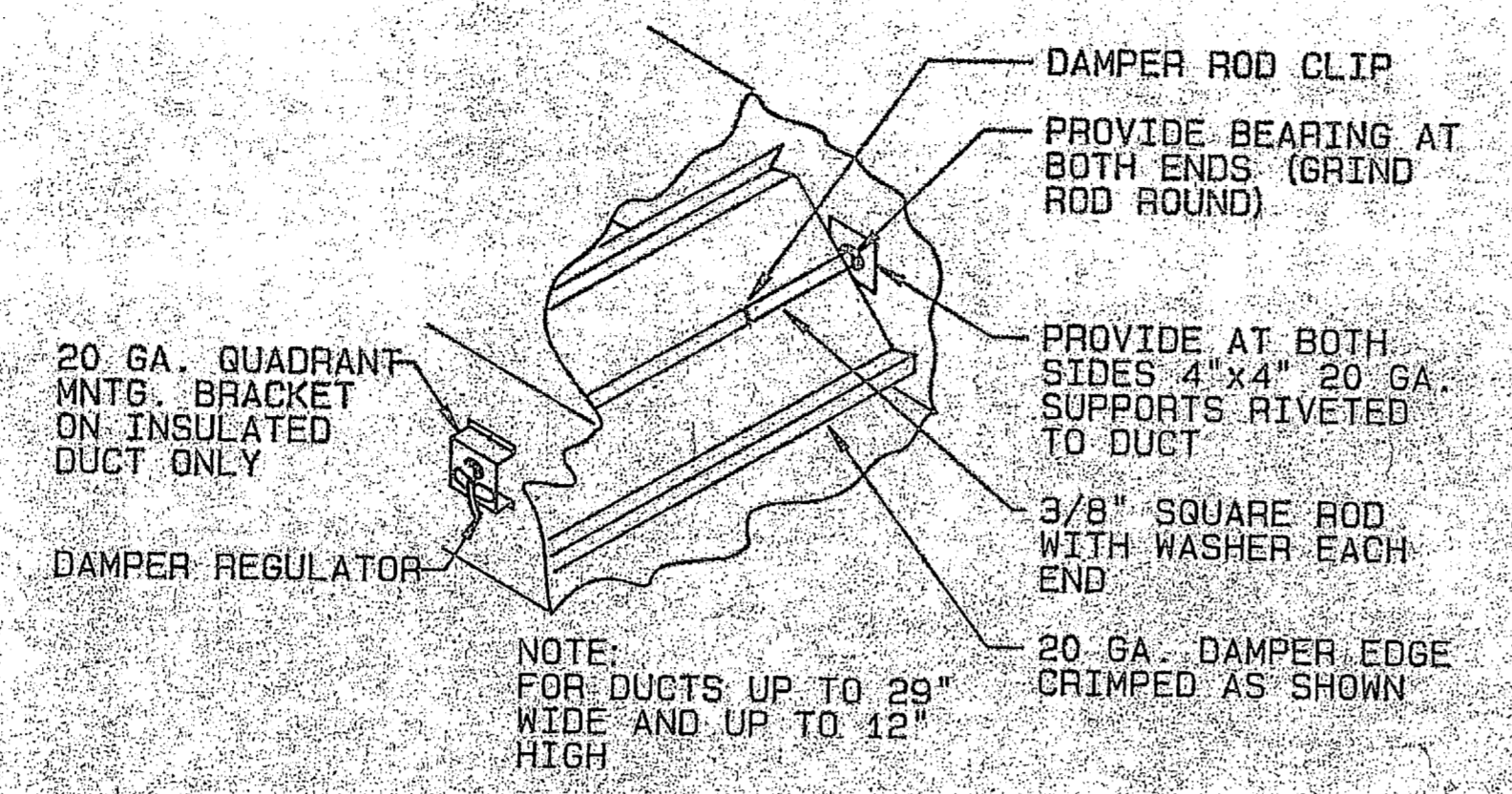


**BRANCH TAKE-OFF**  
(WHERE BRANCH CFM IS LESS THAN 25% OF MAIN CFM)

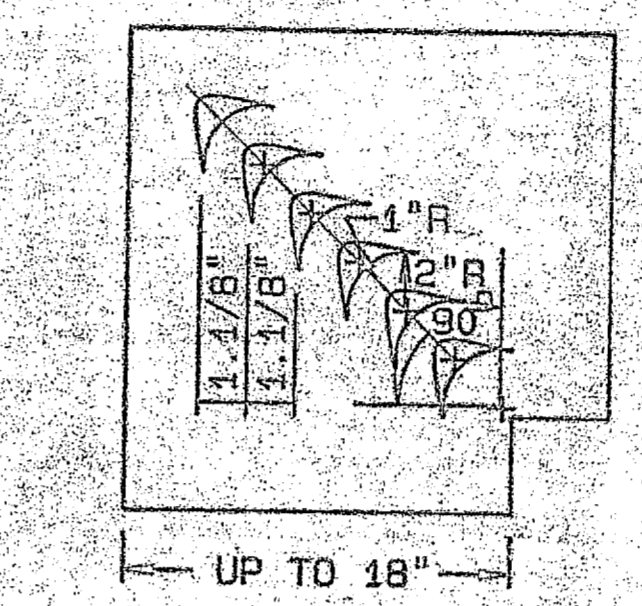


**INSTRUMENT TEST HOLE**

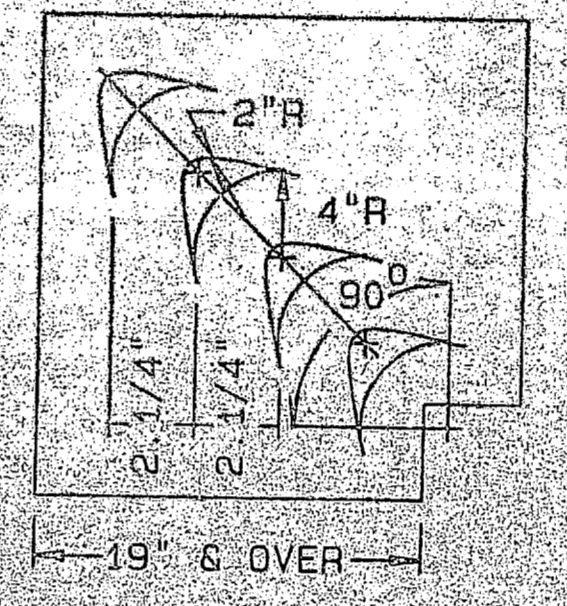
**LOW PRESSURE DUCTWORK FITTINGS**  
NO SCALE



**LOW PRESSURE BALANCING DAMPER**  
NO SCALE

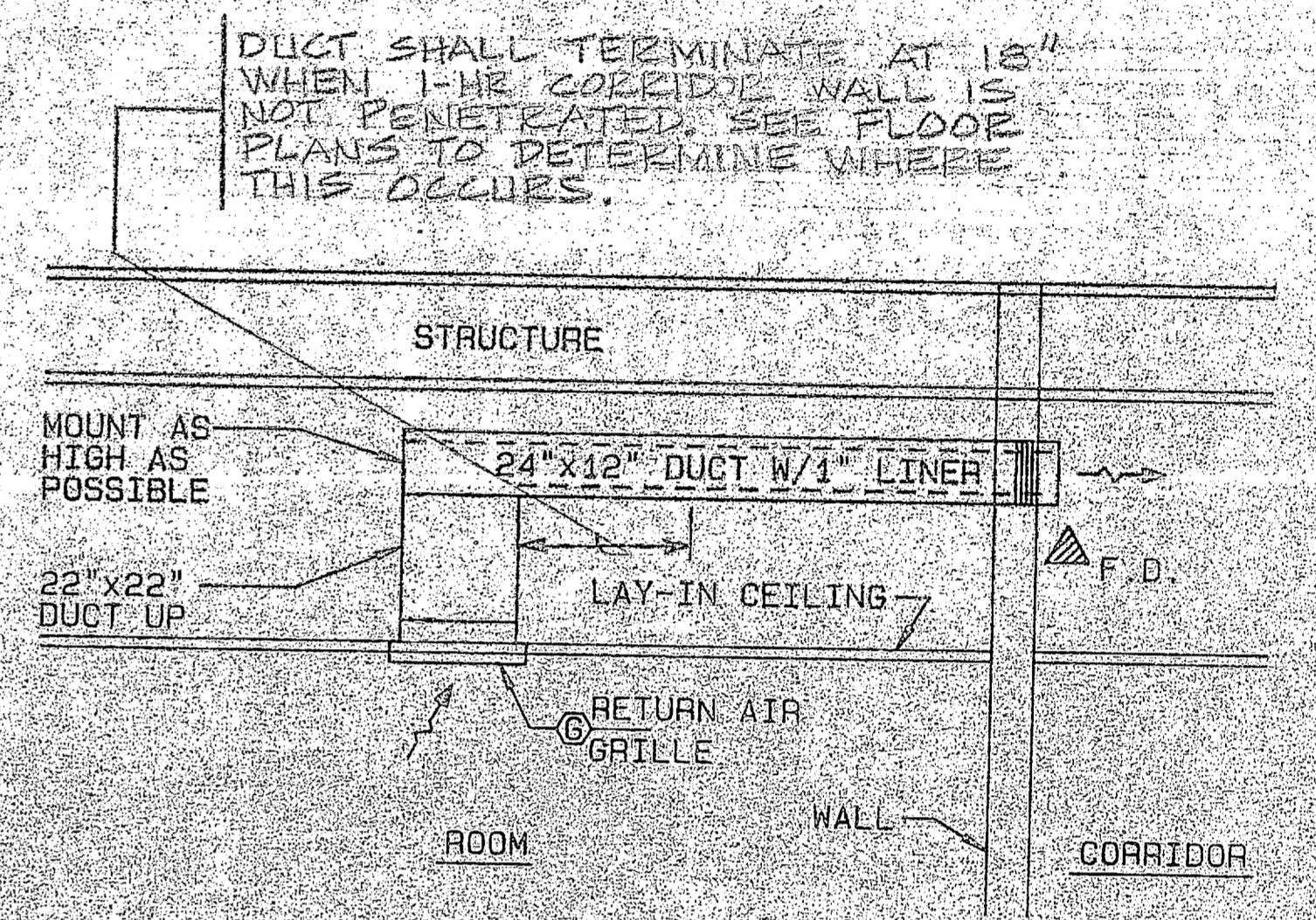


**SMALL DOUBLE VANE SQUARE ELBOW**

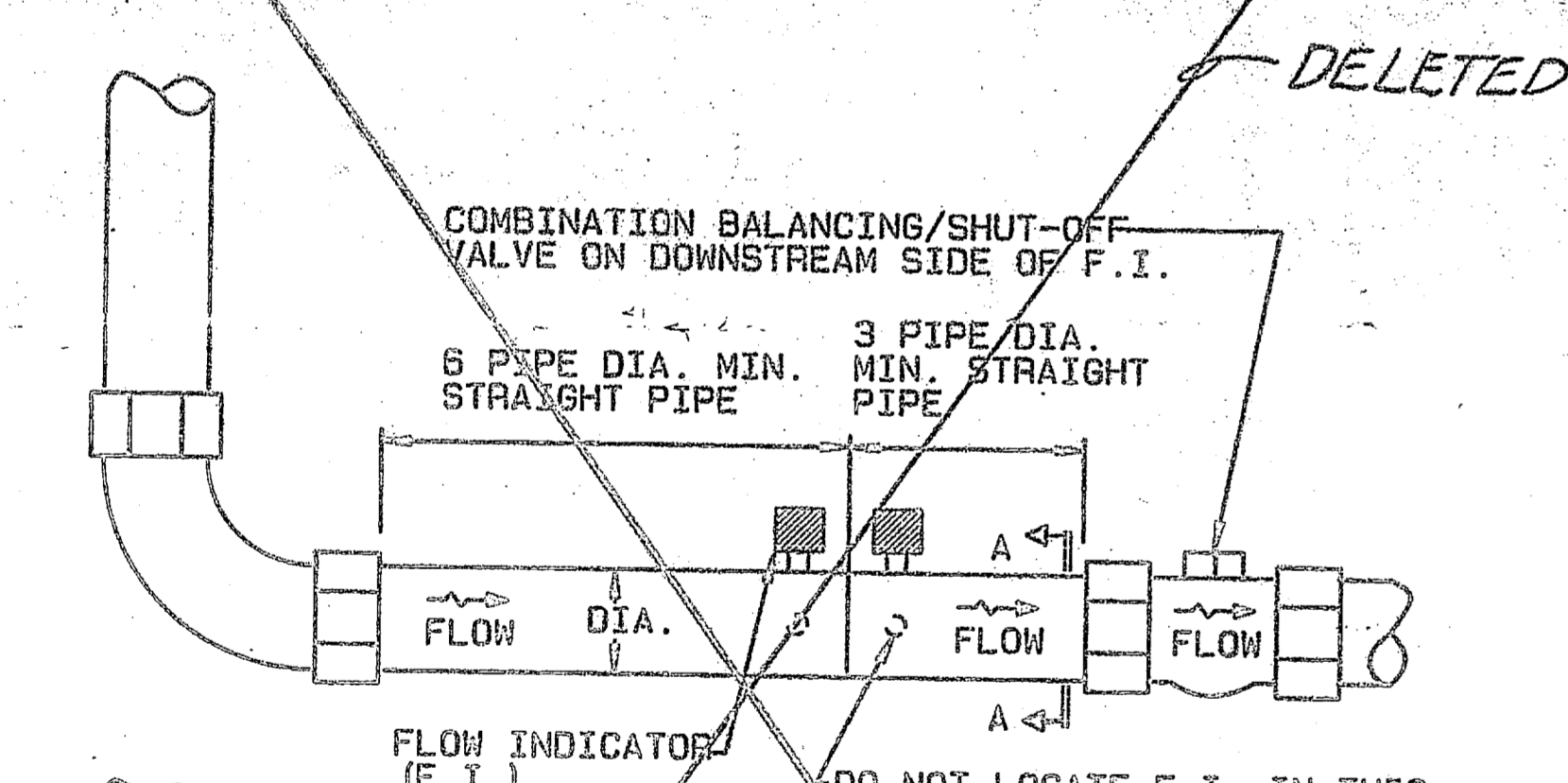


**LARGE DOUBLE VANE SQUARE ELBOW**

**LOW VELOCITY VANED ELBOWS**  
NO SCALE



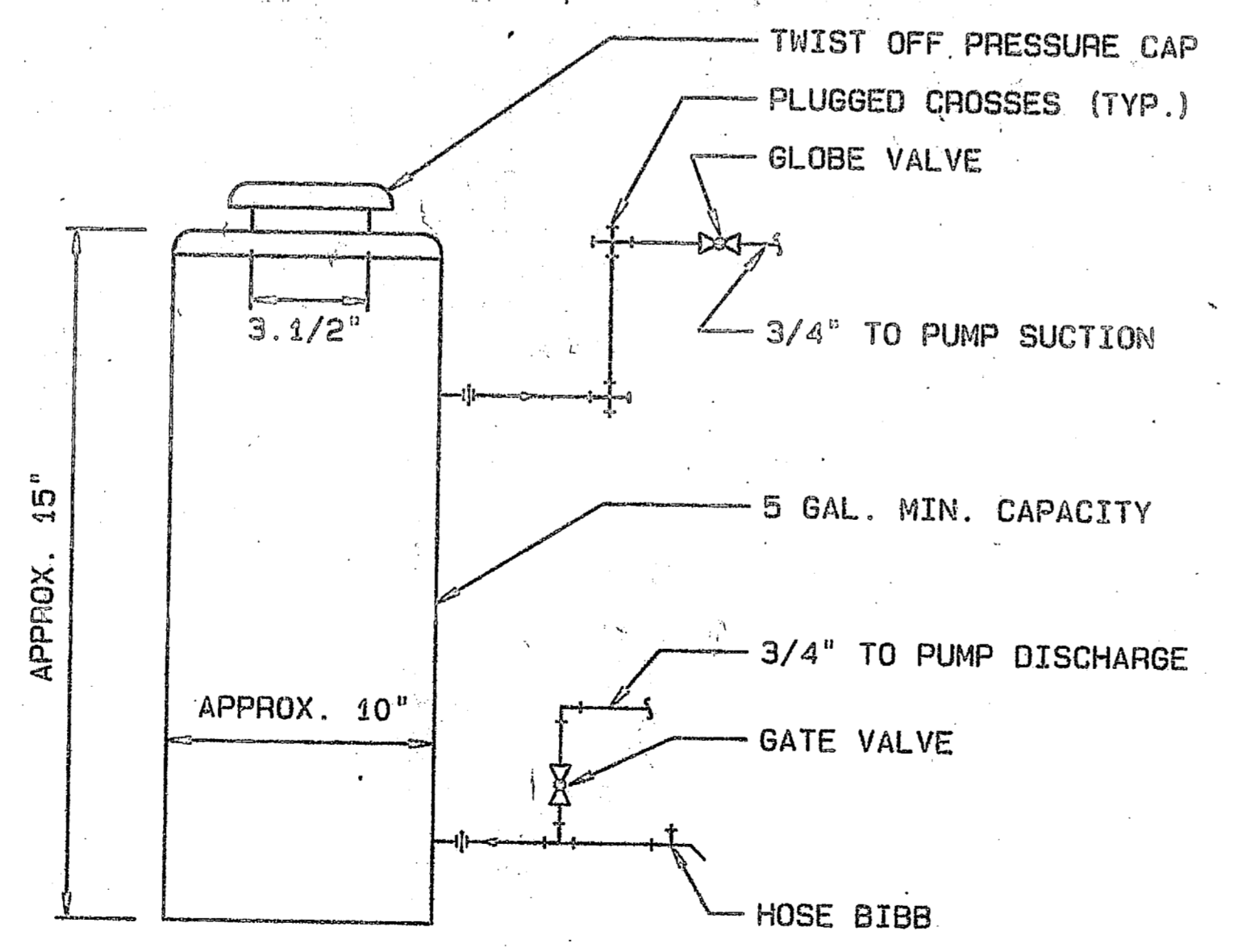
**RETURN GRILLE & DUCT DETAIL**  
NO SCALE



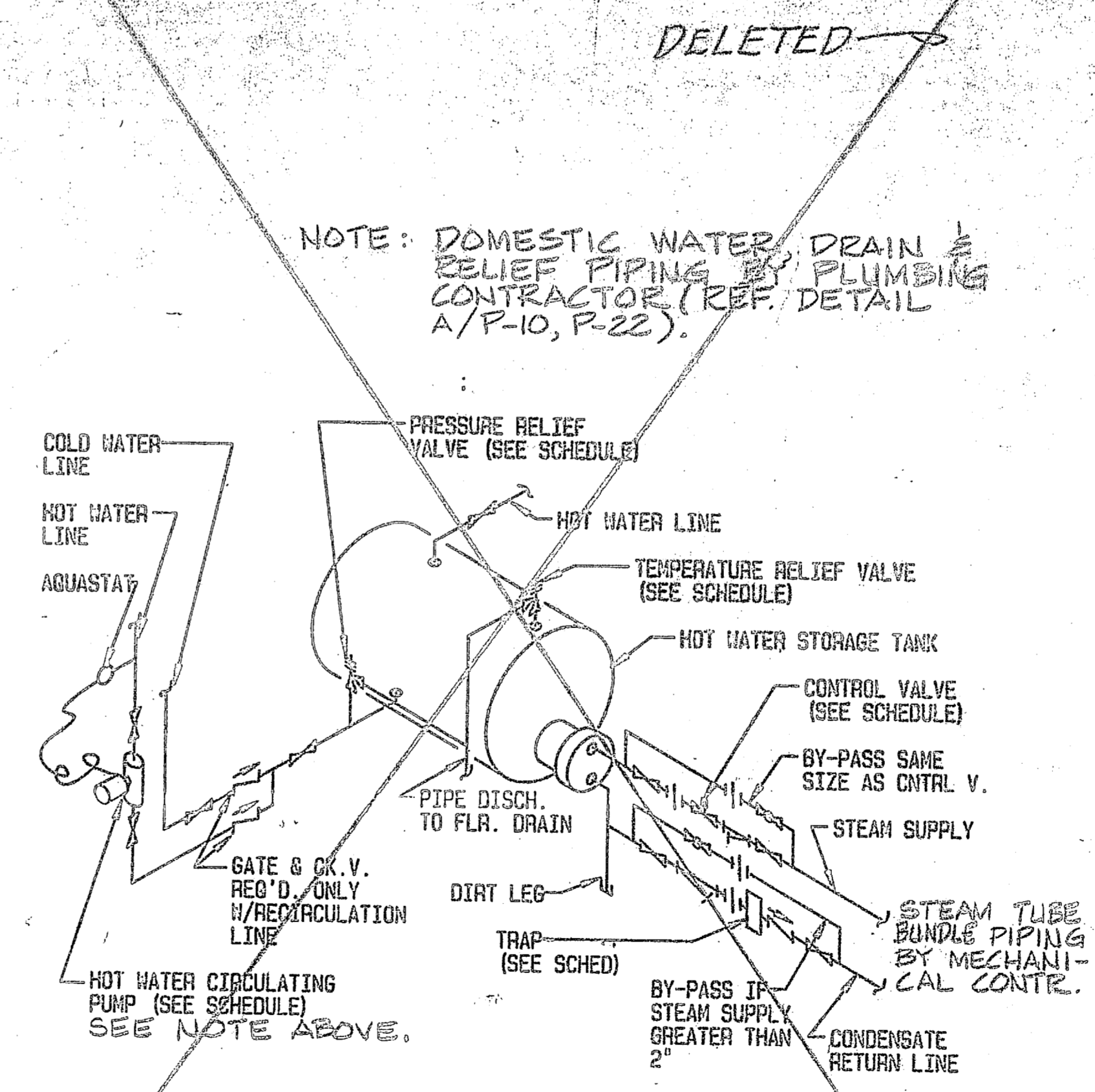
**SECTION A-A**  
SHOWING RELATIONSHIP OF FLOW INDICATOR TO UPSTREAM ELBOW

NOTES:  
1. ONLY STRAIGHT PIPE IS TO BE WITHIN MINIMUM UPSTREAM & DOWNSTREAM DIM., NO FITTINGS OR VALVES ALLOWED.  
2. F.I. & VALVES SHALL BE ORIENTED FOR EASY ACCESS. IF TOP OF PIPE IS CLOSE TO STRUCTURE OR OBSTRUCTIONS, ARRANGE PIPING TO LOCATE VALVE OPERATOR & F.I. CONNECTIONS ON SIDE OF PIPE. NO VALVE SHALL BE INSTALLED WITH THE OPERATOR BELOW THE HORIZONTAL.

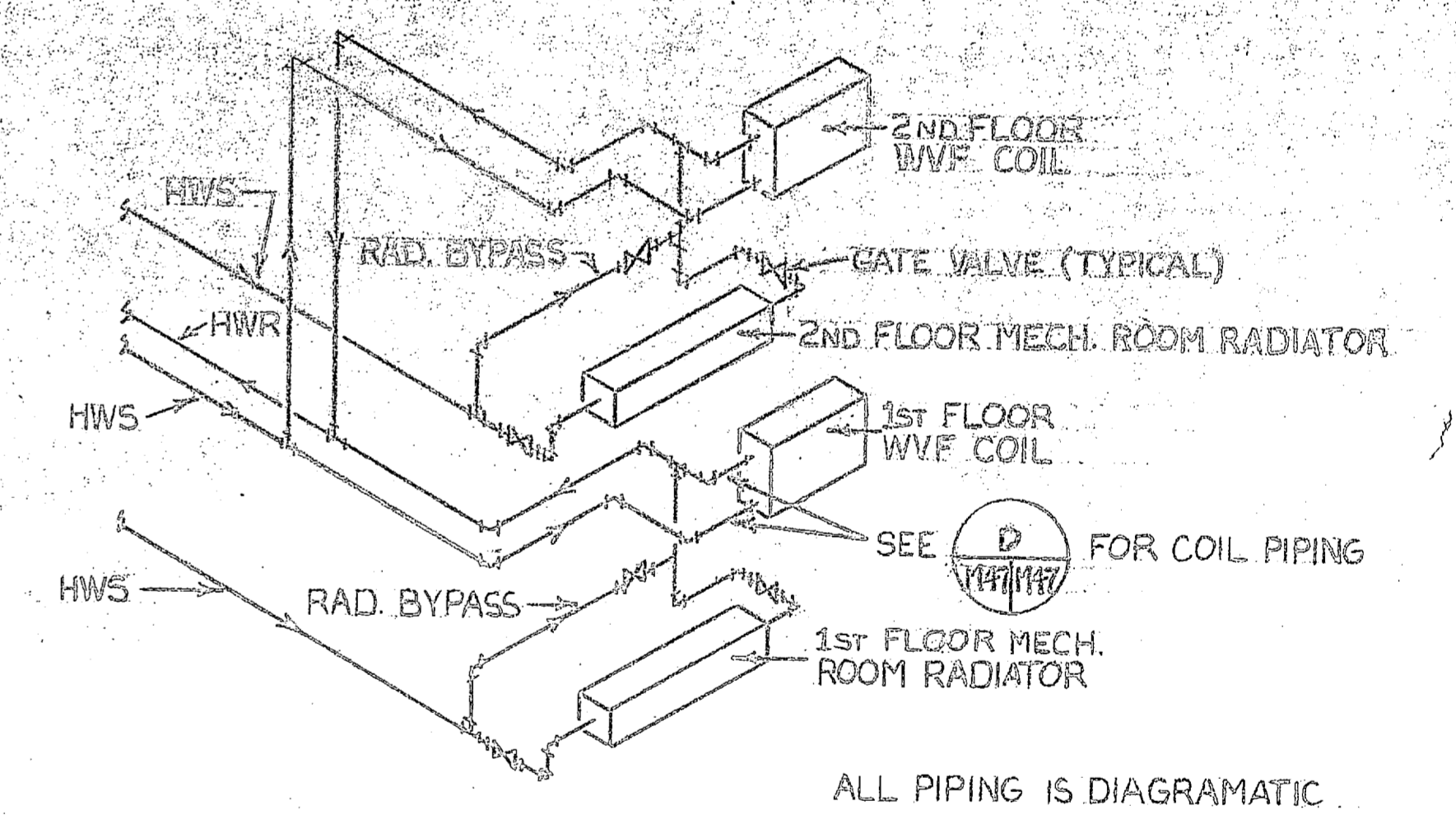
**FLOW INDICATOR (F.I.) DETAIL**  
NO SCALE



**SHOT FEEDER**  
NO SCALE



**STEAM DOMESTIC H.W. HEATER PIPING**  
NO SCALE

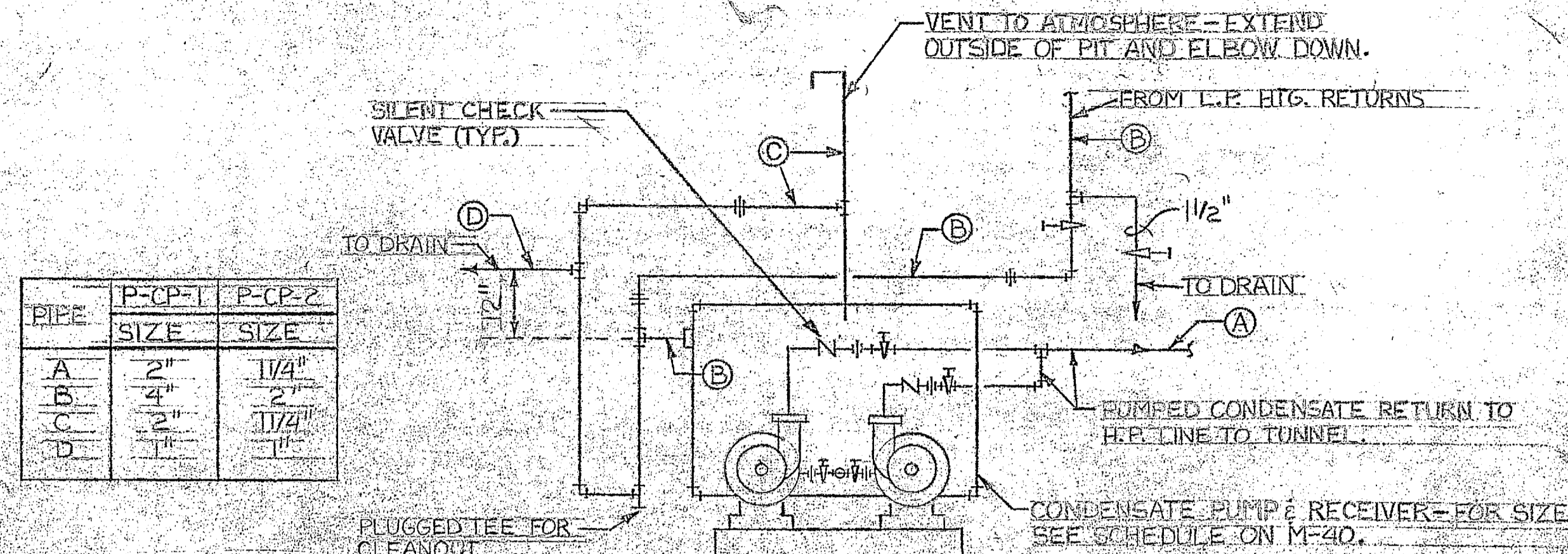


**MECH. ROOM HOT WATER PIPING SCHEMATIC**  
NO SCALE

<b>PEREBEE, WALTERS &amp; ASSOCIATES</b> ARCHITECTURE PLANNING CHARLOTTE, NORTH CAROLINA		DEPARTMENT OF THE NAVY NAVAL FACILITIES ENGINEERING COMMAND ATLANTIC DIVISION MARINE CORPS BASE, CAMP LEJEUNE, NORTH CAROLINA	
DESIGNED BY: [Signature] DRAWN BY: [Signature] CHECKED BY: [Signature]		PROJECT NO. 604 DATE: 1/15/65 DRAWING NO. M-46	
APPROVED BY: [Signature] DATE: 1/15/65		NAVFAC DRAWING NO. 4124314 CODE IDENT. NO. 80091 CONST. CONTR. NO. 148270-62-B-2243	

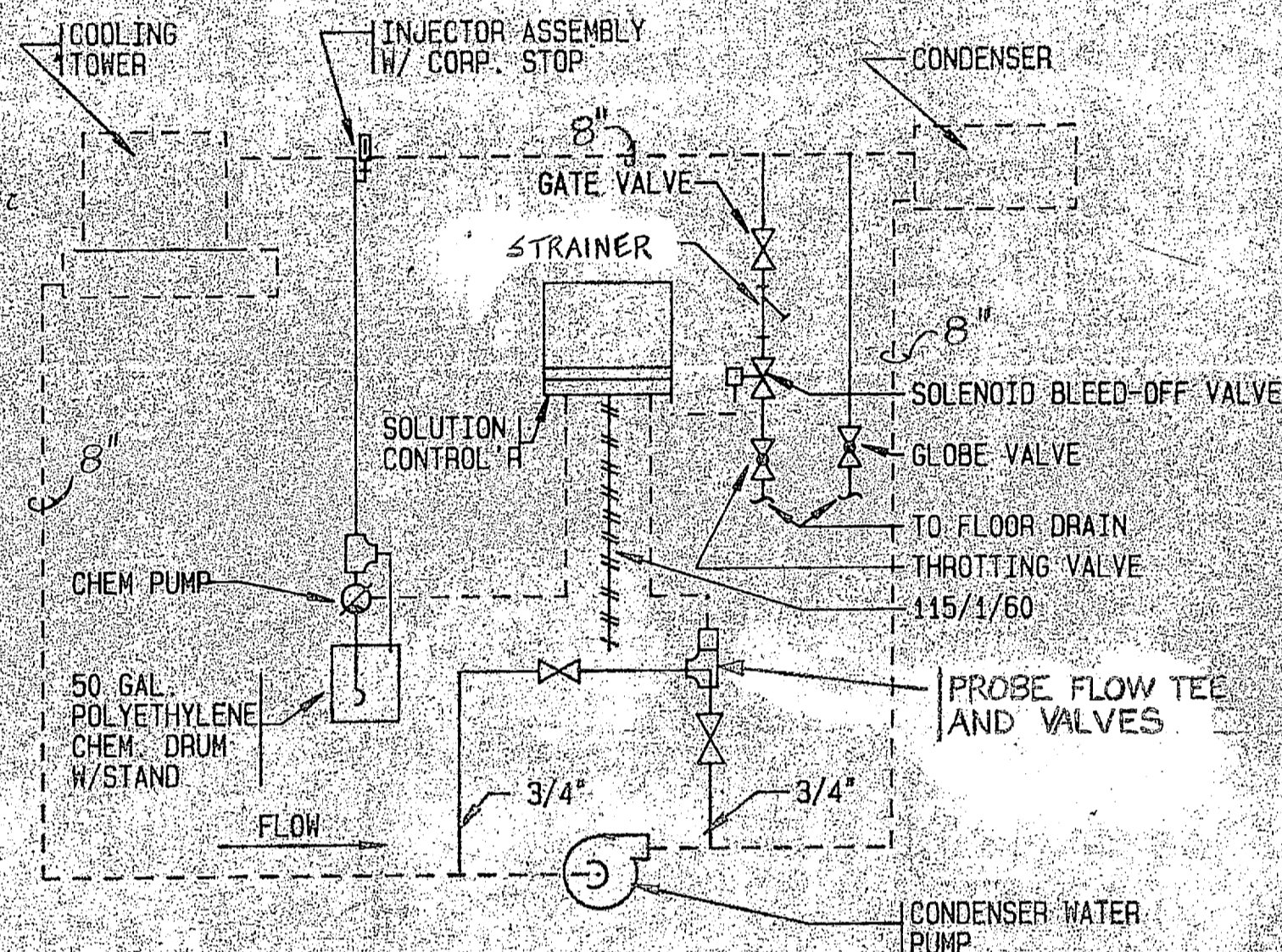


SYM	DESCRIPTION	PREP BY	DATE	APPROV
J	GENERAL REVISION	GHS	2/15/86	CR

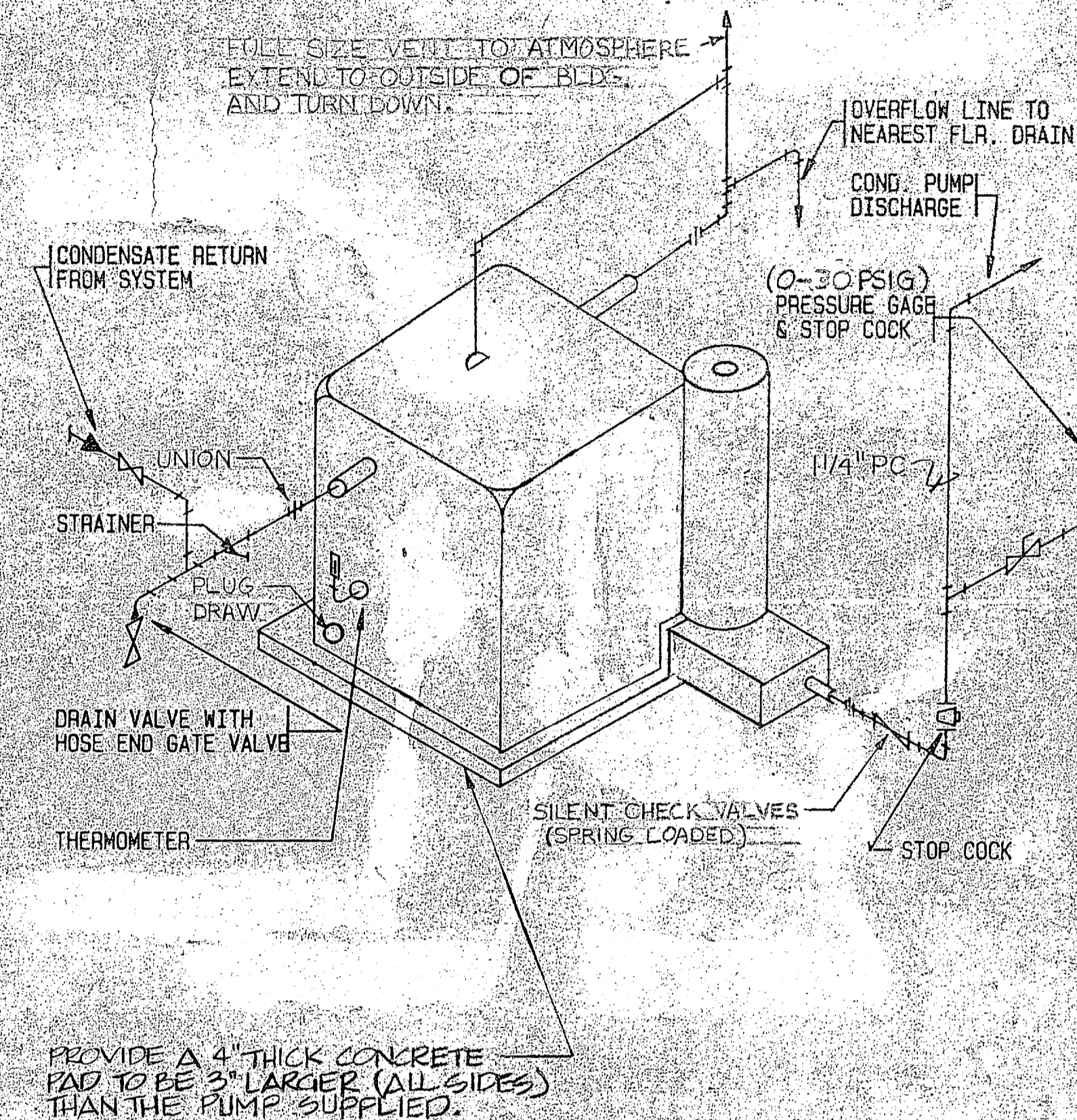


PIPE SIZE	P-CP-1	P-CP-2
A	2"	1 1/4"
B	4"	2"
C	3"	1 1/2"
D	1"	1"

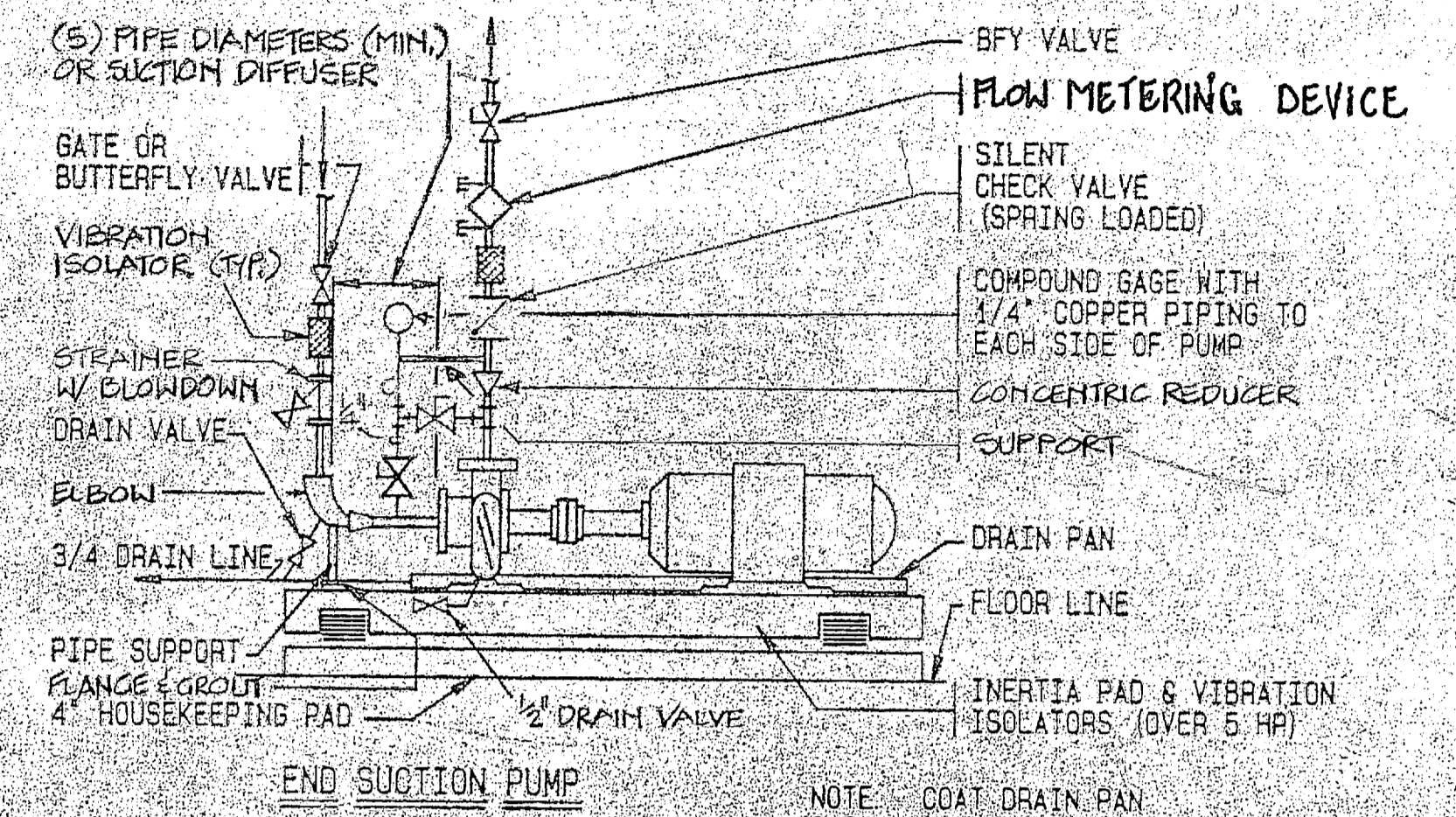
**J** TURBINE CONDENSATE PUMPS  
NO SCALE



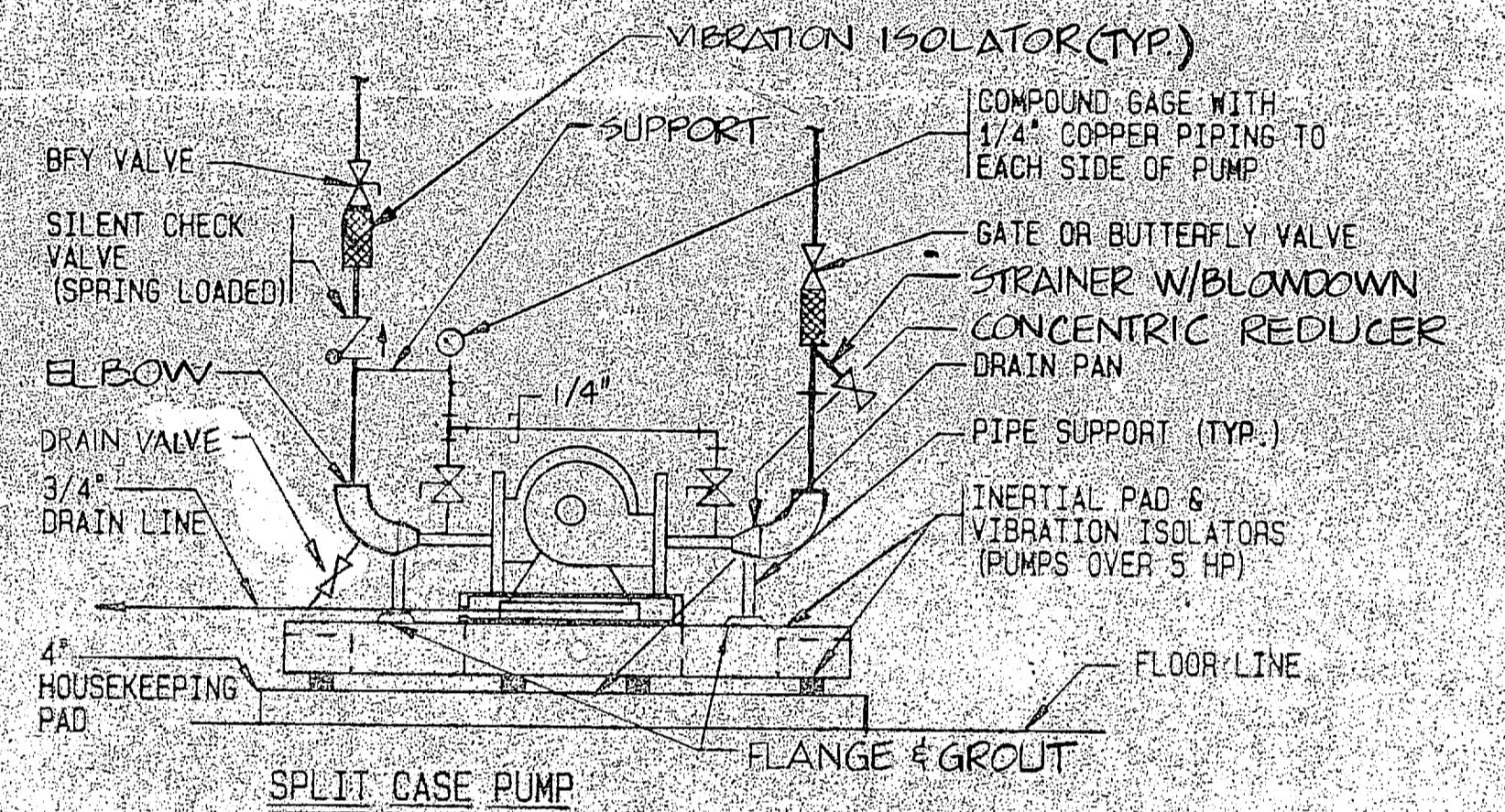
**B** COOLING TOWER WATER TREATMENT SCHEMATIC  
NO SCALE



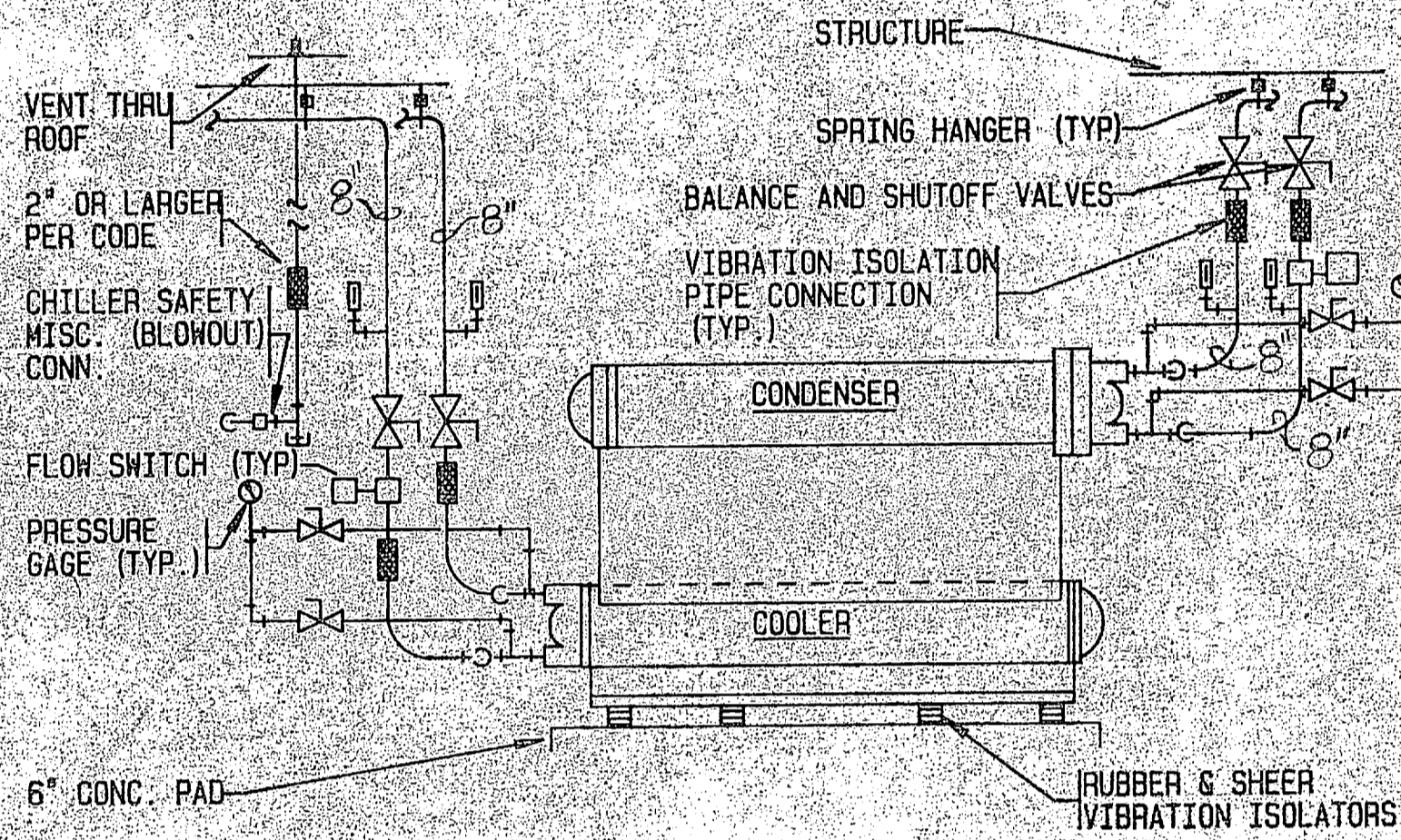
**C** SIMPLEX CONDENSATE PUMP PIPING  
NO SCALE



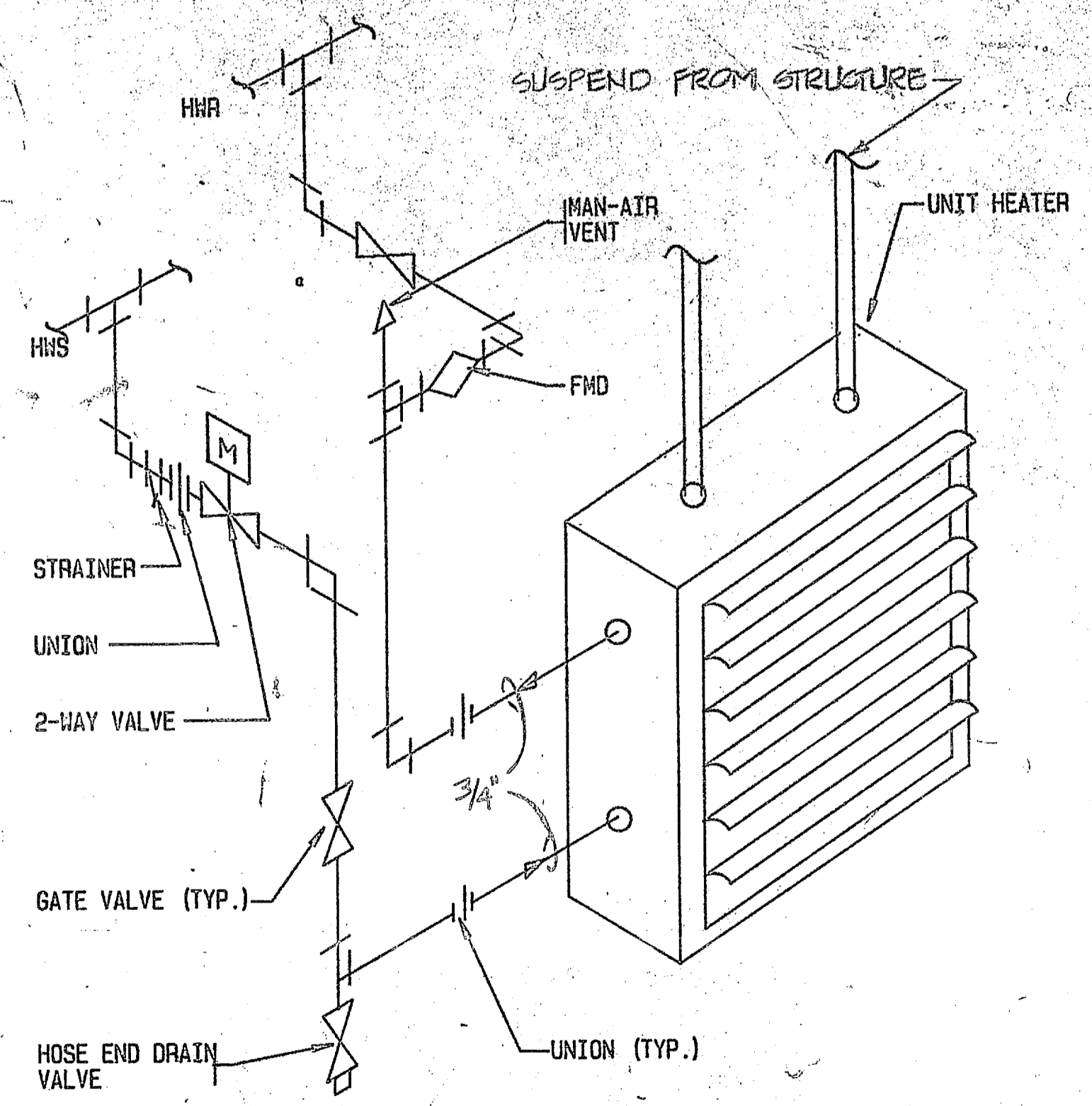
**D** BASE MOUNTED PUMP  
NO SCALE



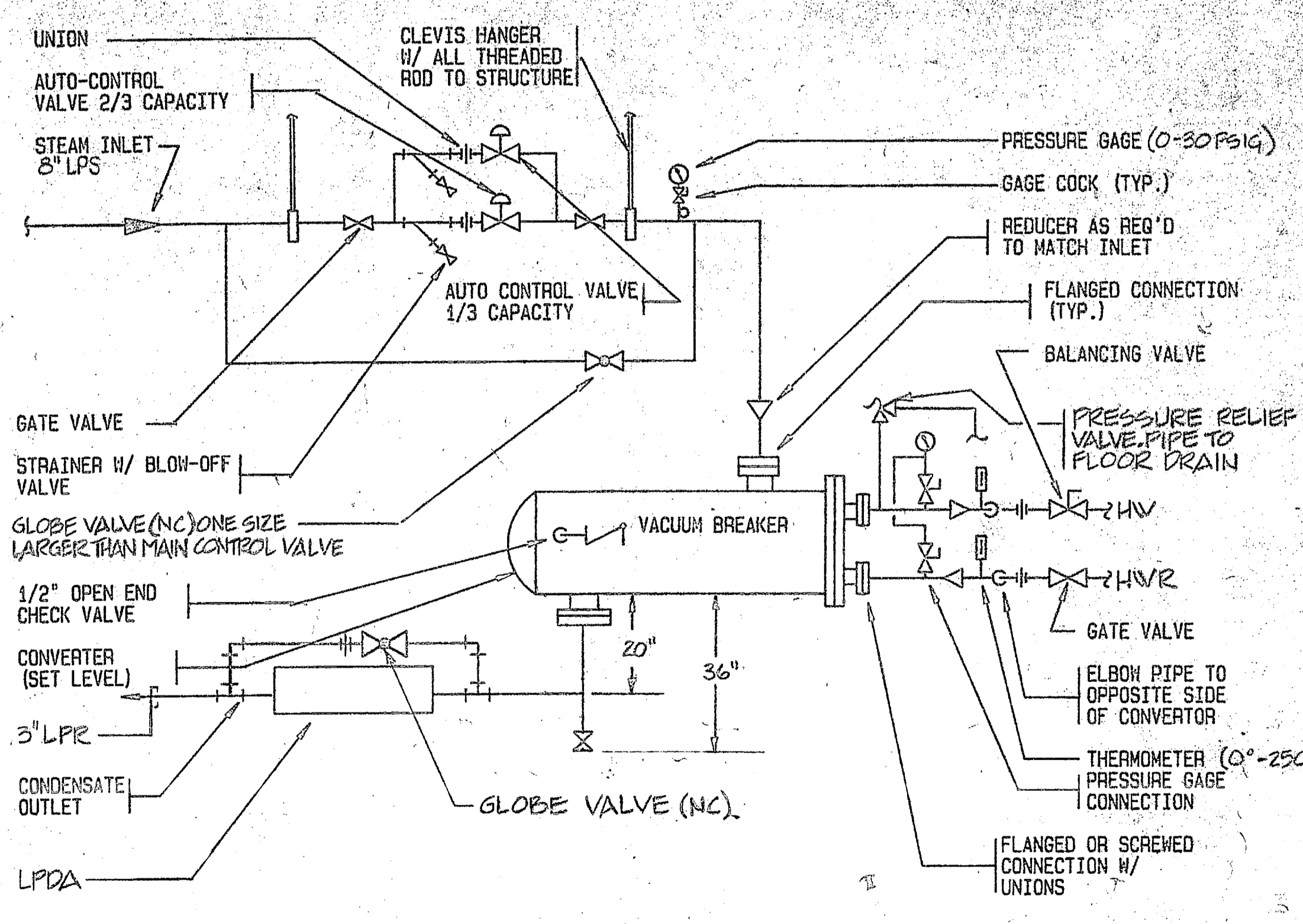
**E** BASE MOUNTED PUMP  
NO SCALE



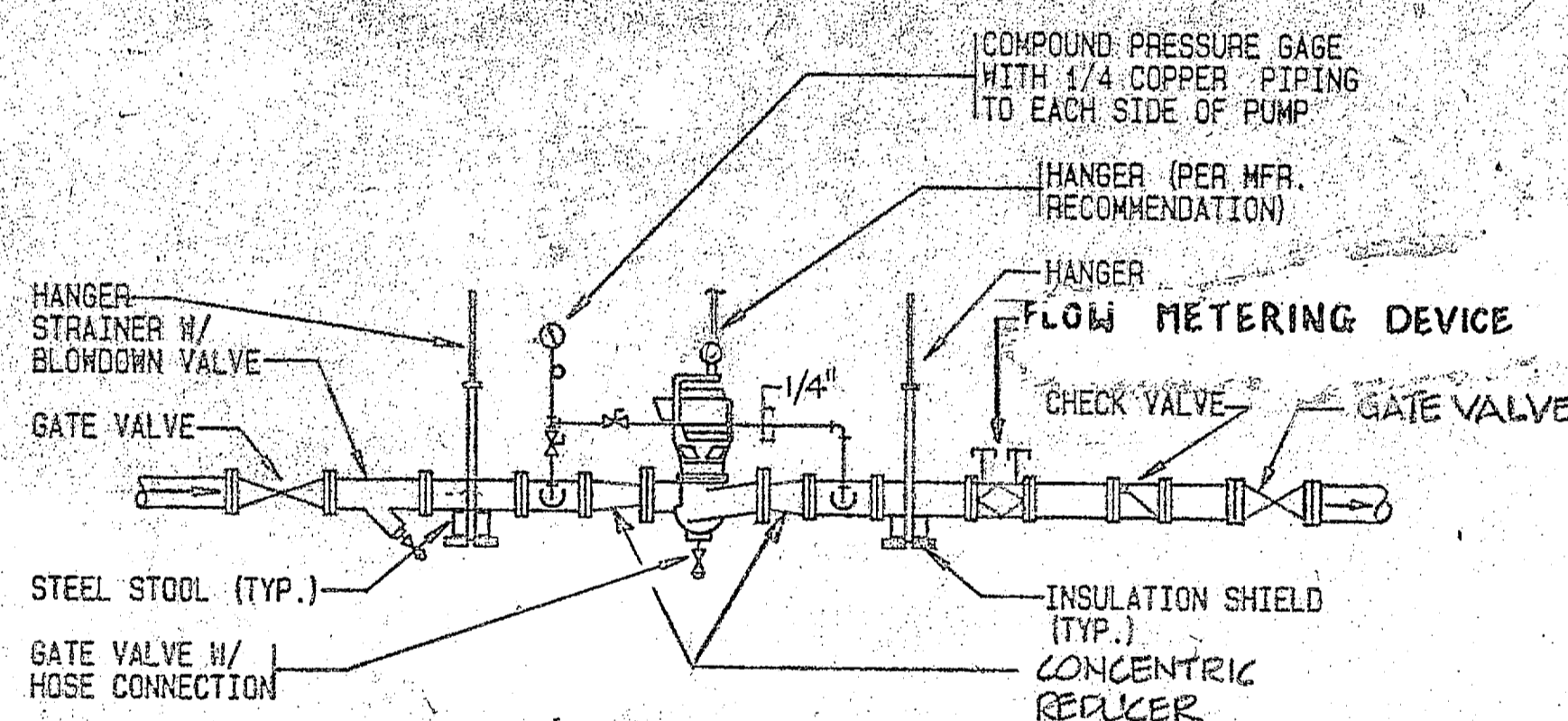
**A** CHILLER PIPING DETAIL  
NO SCALE



**F** HOT WATER UNIT HEATER PIPING DETAIL  
NO SCALE



**G** STEAM TO HOT WATER CONVERTOR  
NO SCALE



**H** INLINE PUMP DETAIL  
NO SCALE

<b>FEREBEE, WALTERS &amp; ASSOCIATES</b> ARCHITECTURE PLANNING CHARLOTTE, NORTH CAROLINA		DEPARTMENT OF THE NAVY NAVAL FACILITIES ENGINEERING COMMAND	
		ATLANTIC DIVISION NAVAL STATION NORFOLK, VIRGINIA	
DESIGNED BY: <i>H. S. DeWitt</i> DRAWN BY: <i>John B. DeWitt</i> CHECKED BY: <i>John B. DeWitt</i> DATE: <i>1/27/85</i>		PROJECT: MARINE CORPS BASE, CAMP LEJEUNE, NORTH CAROLINA DRAWING NO.: <b>80091</b> SHEET: <b>147</b> OF <b>243</b>	
TITLE: <b>CONVERT HOSPITAL TO DIVISION HEADQUARTERS</b> MECHANICAL DETAILS		NAVFAC DRAWING NO.: 4124302 CONSTR. CONTR. NO. N62470-82-B-2243 SCALE: AS NOTED SPEC. 05-82-2243 (REV.)	

**M-34**

224302

