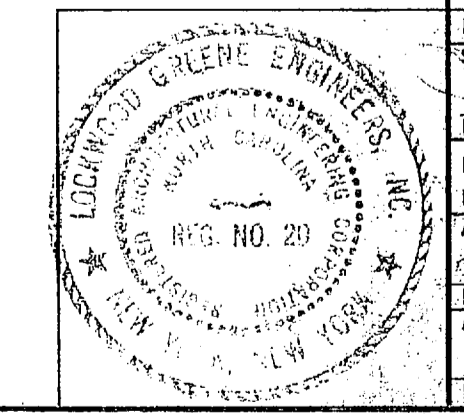
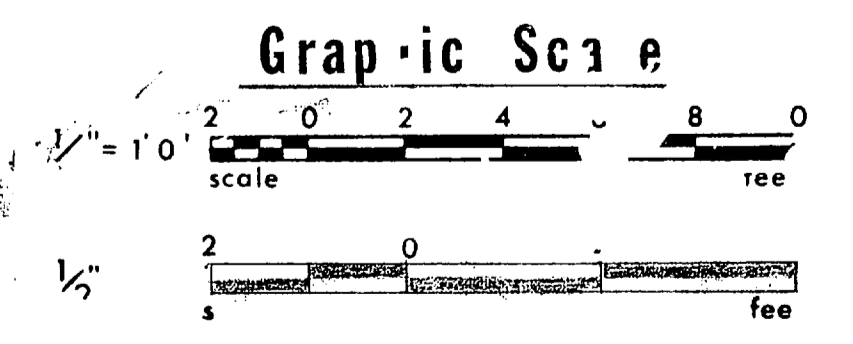
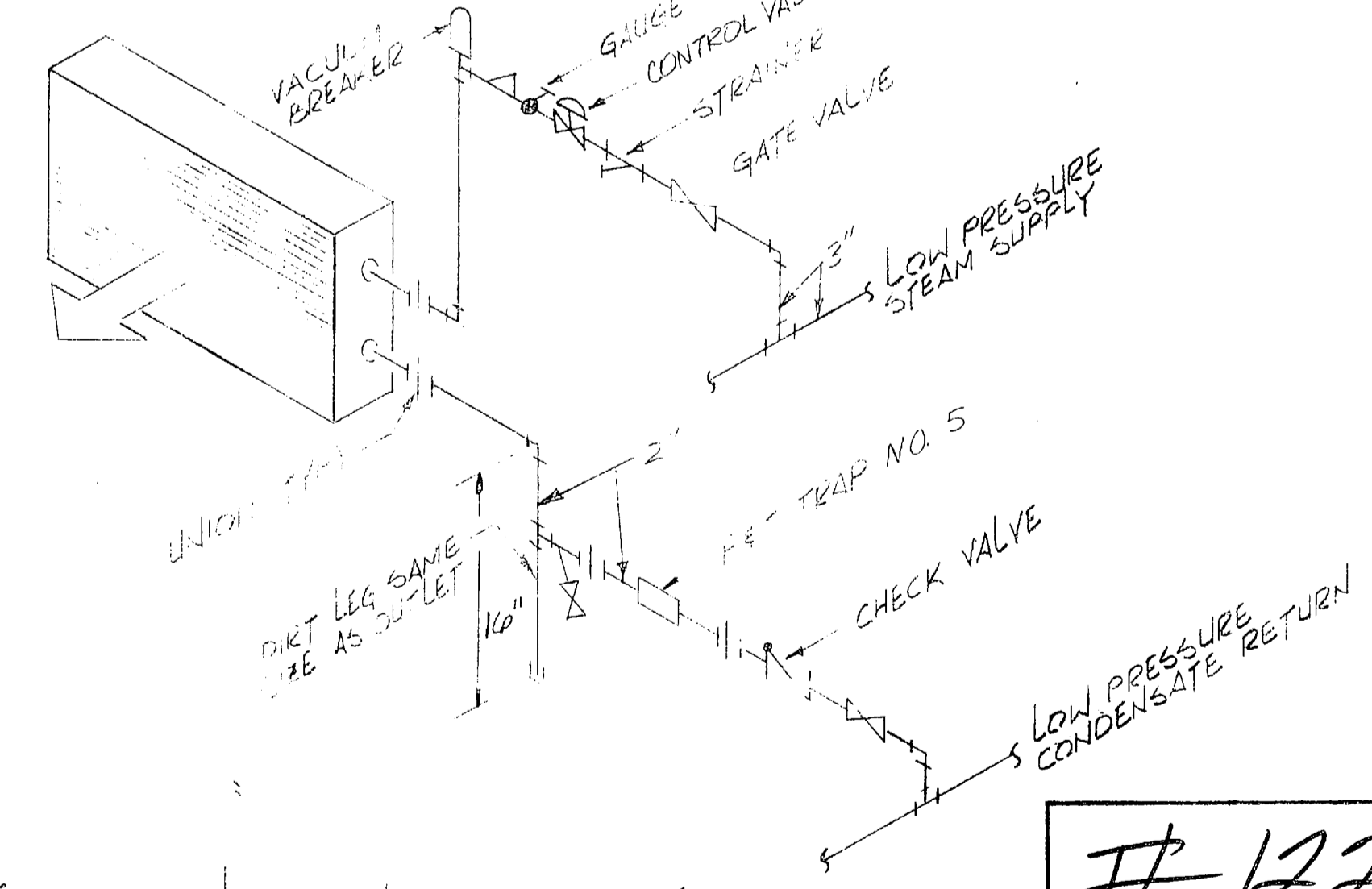
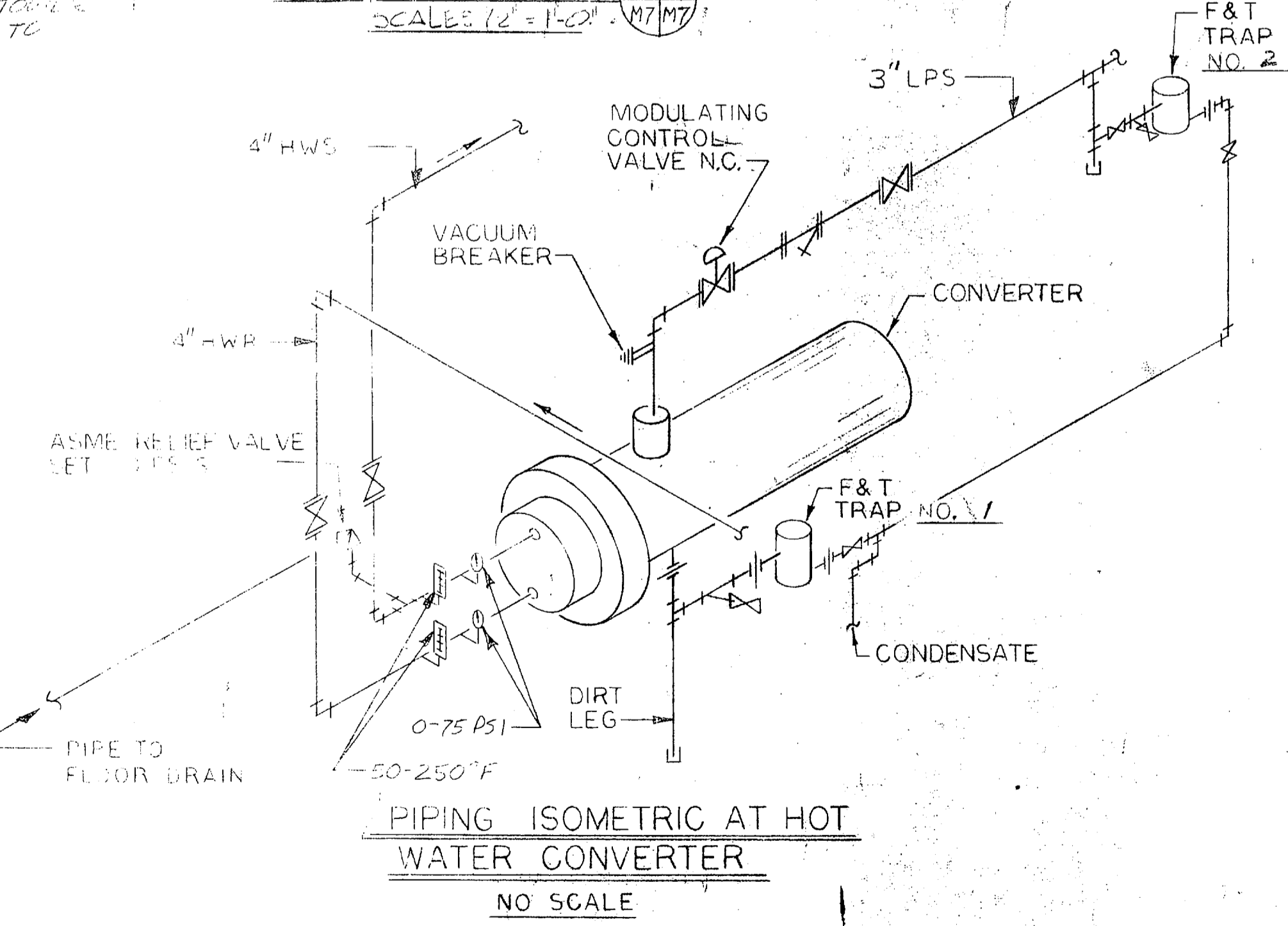
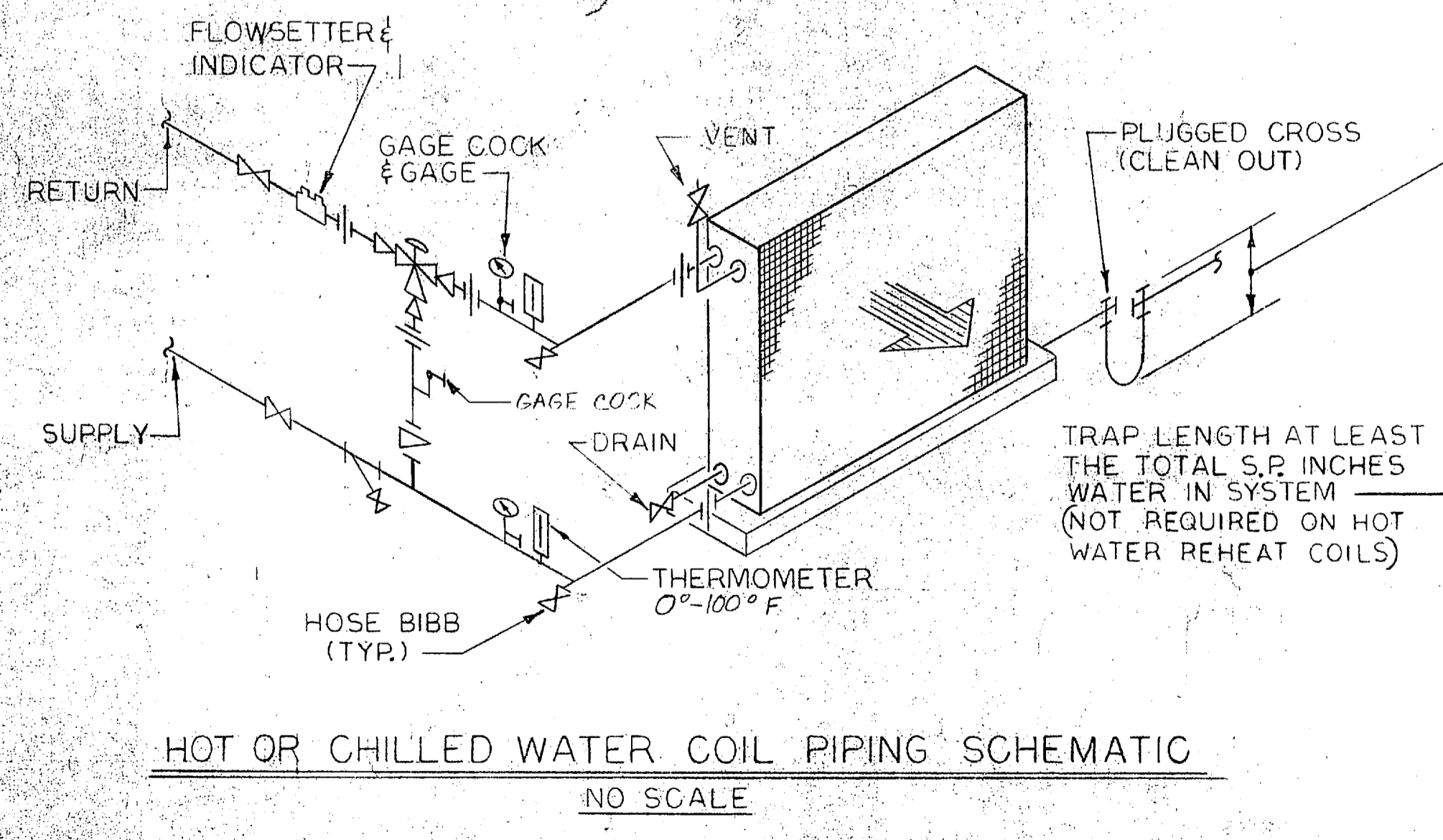
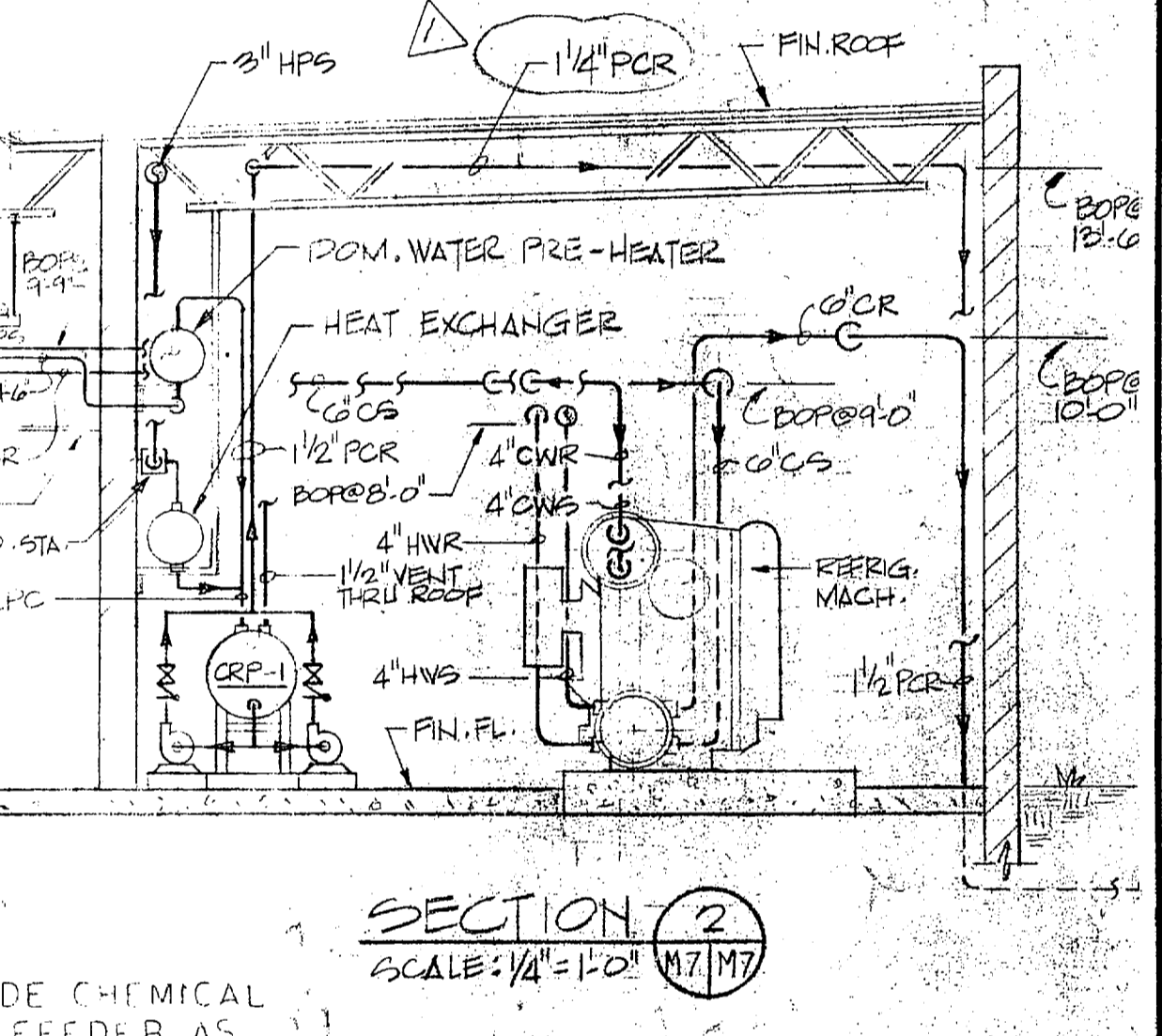
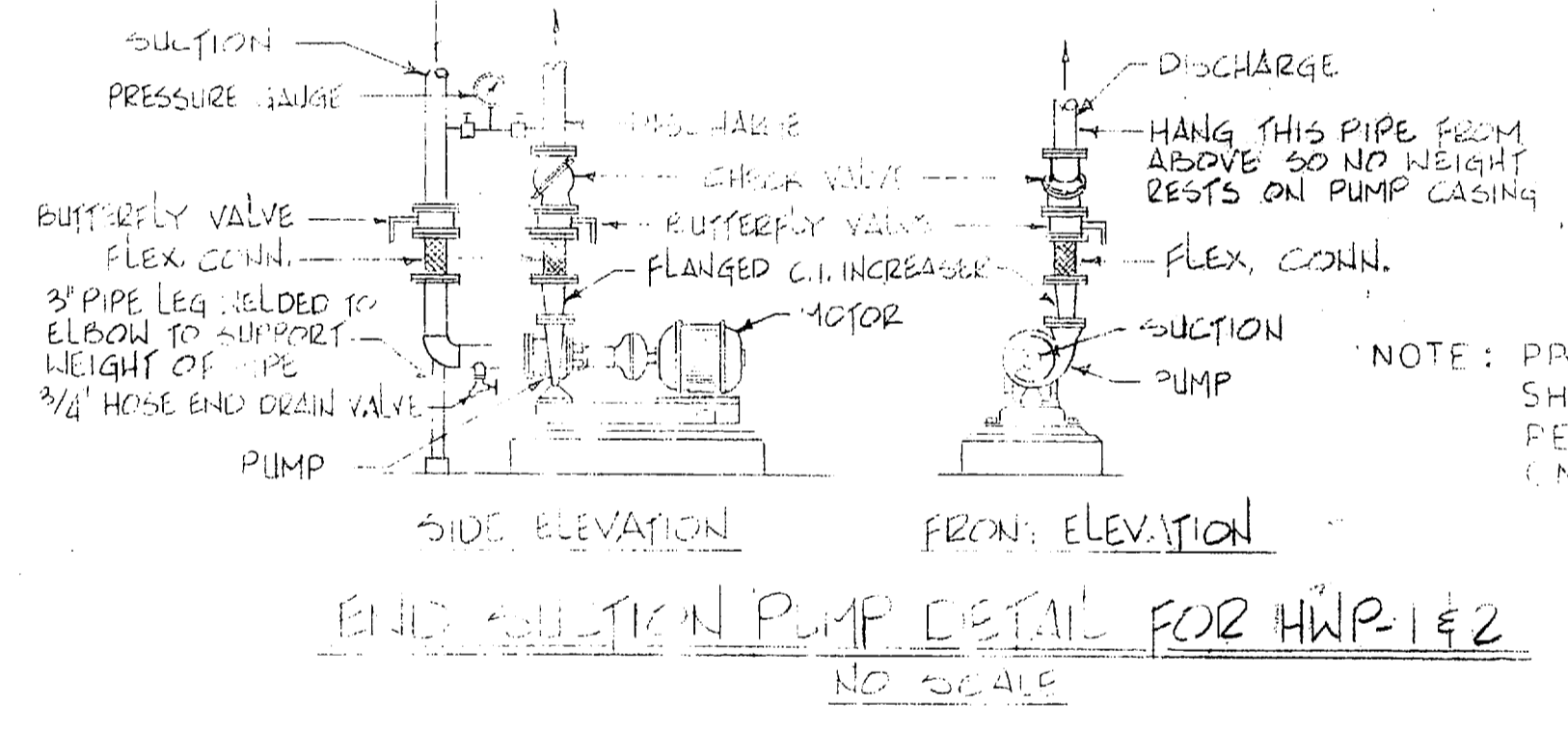
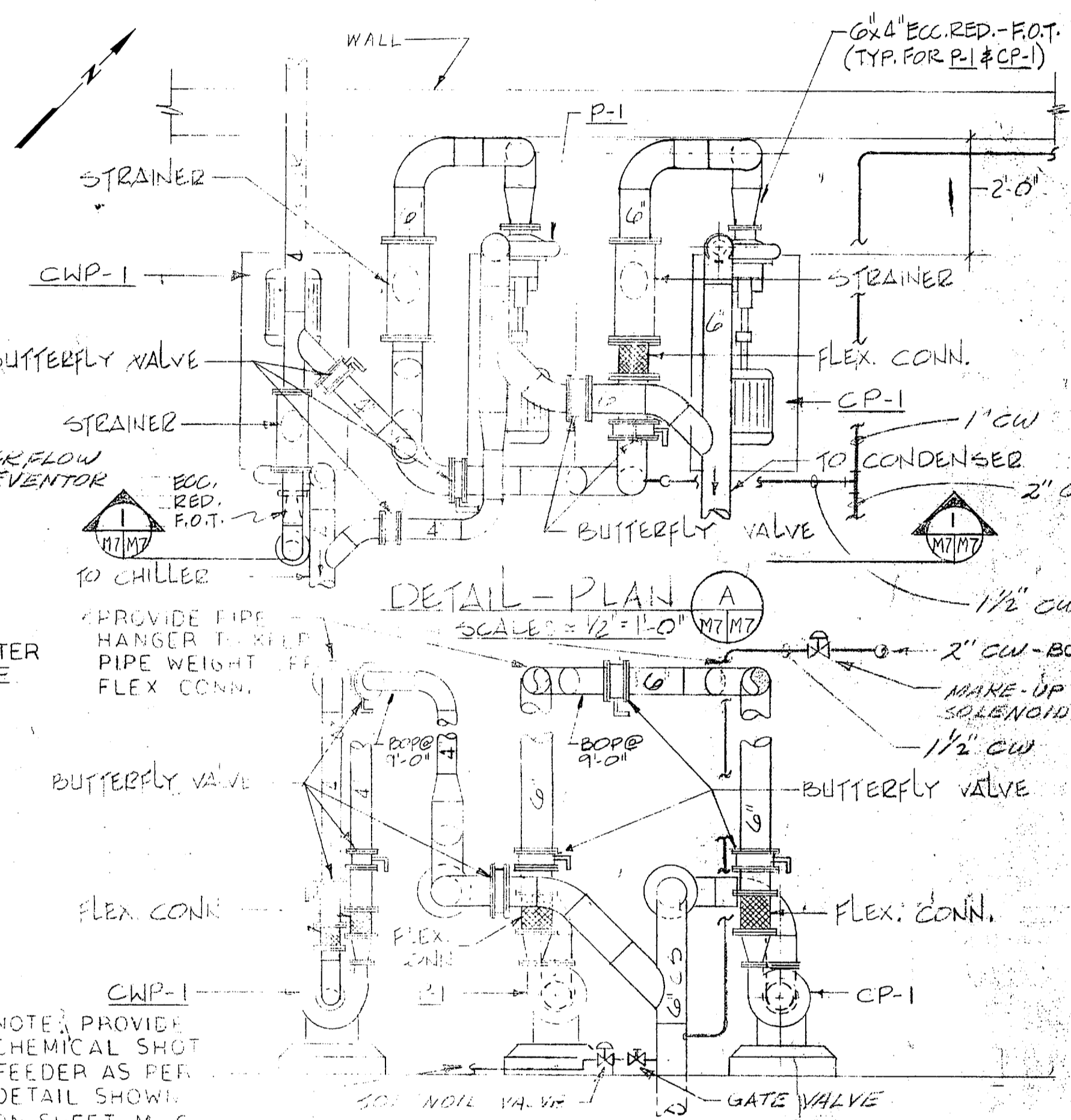
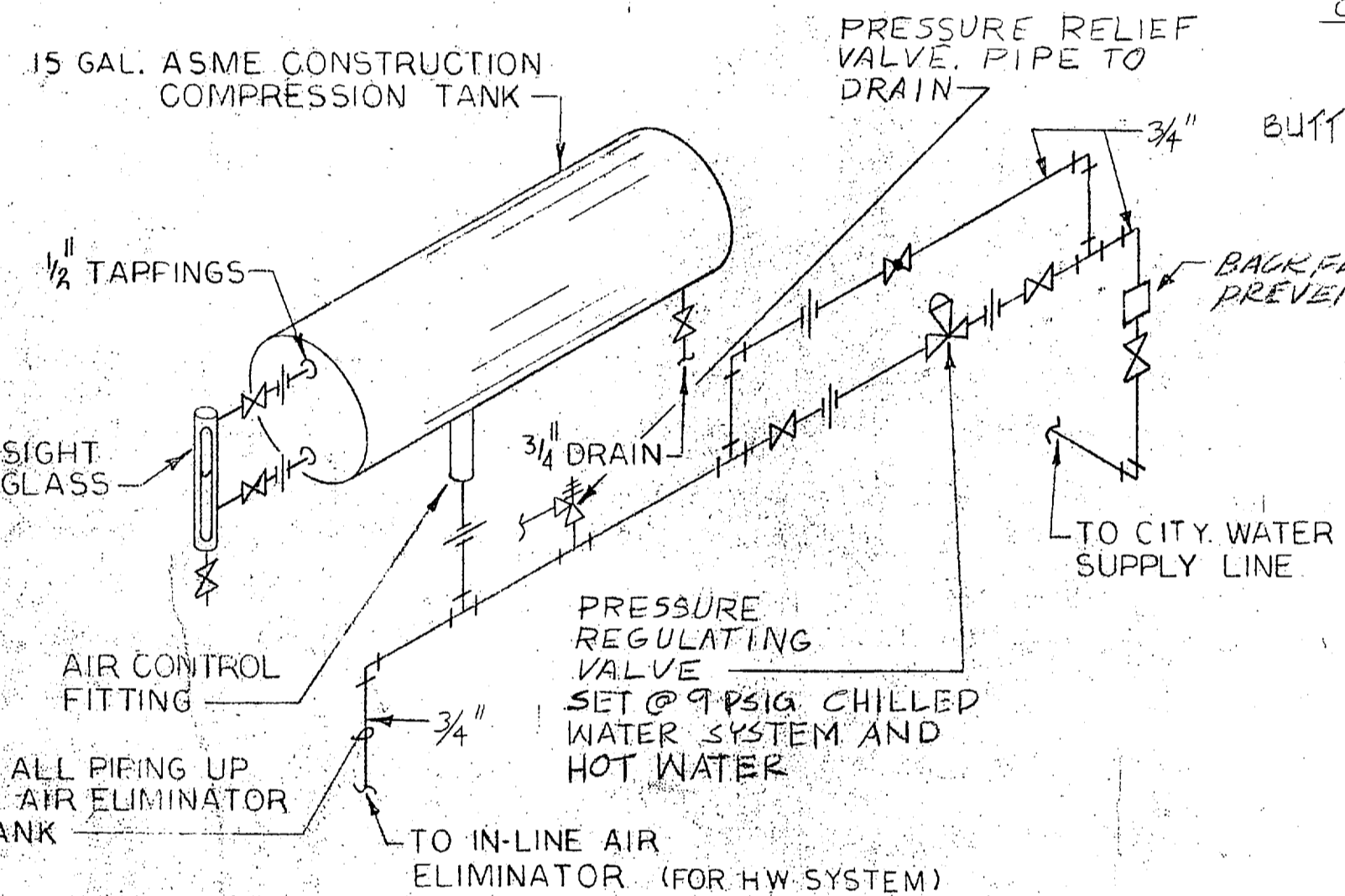
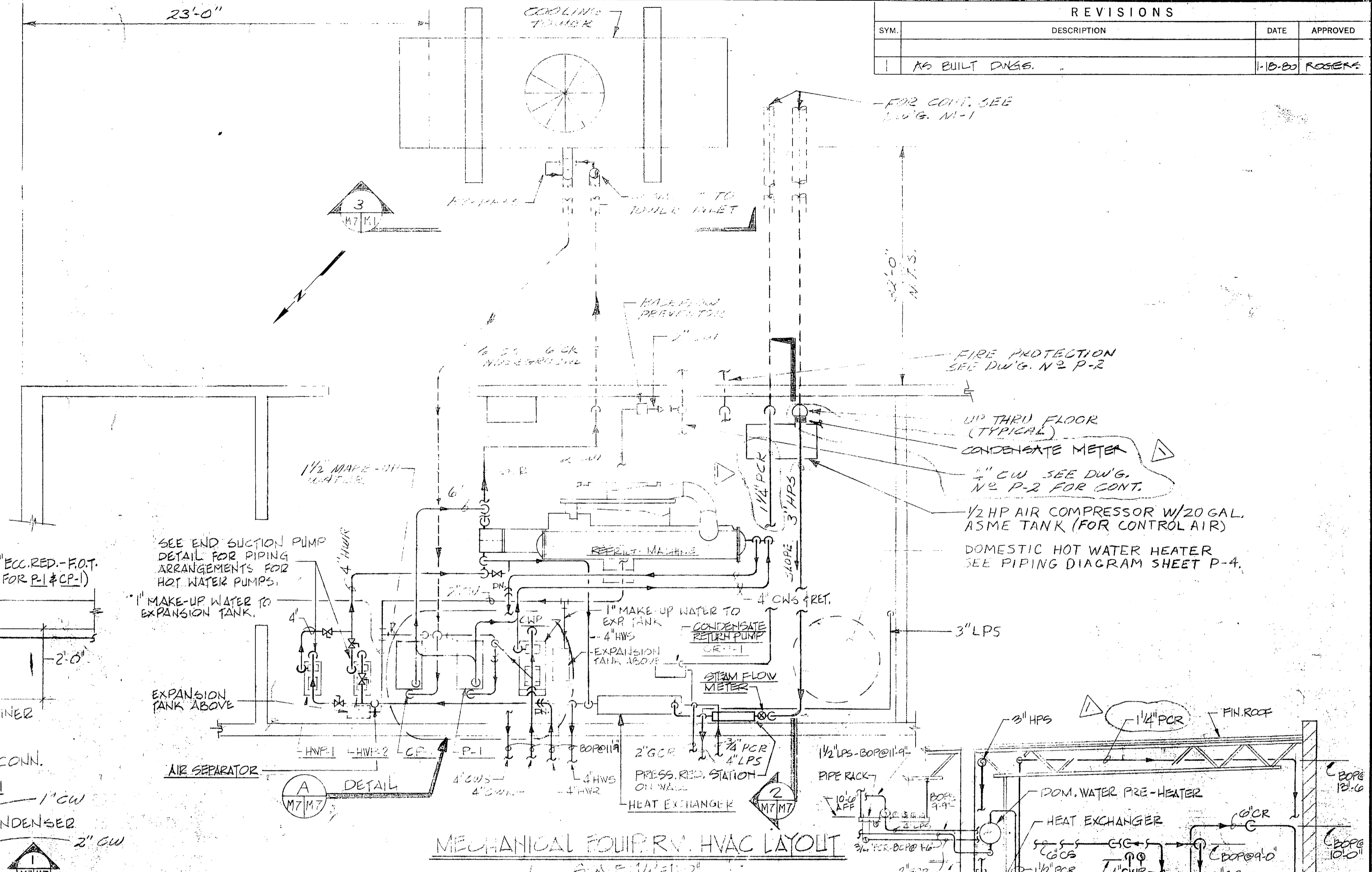
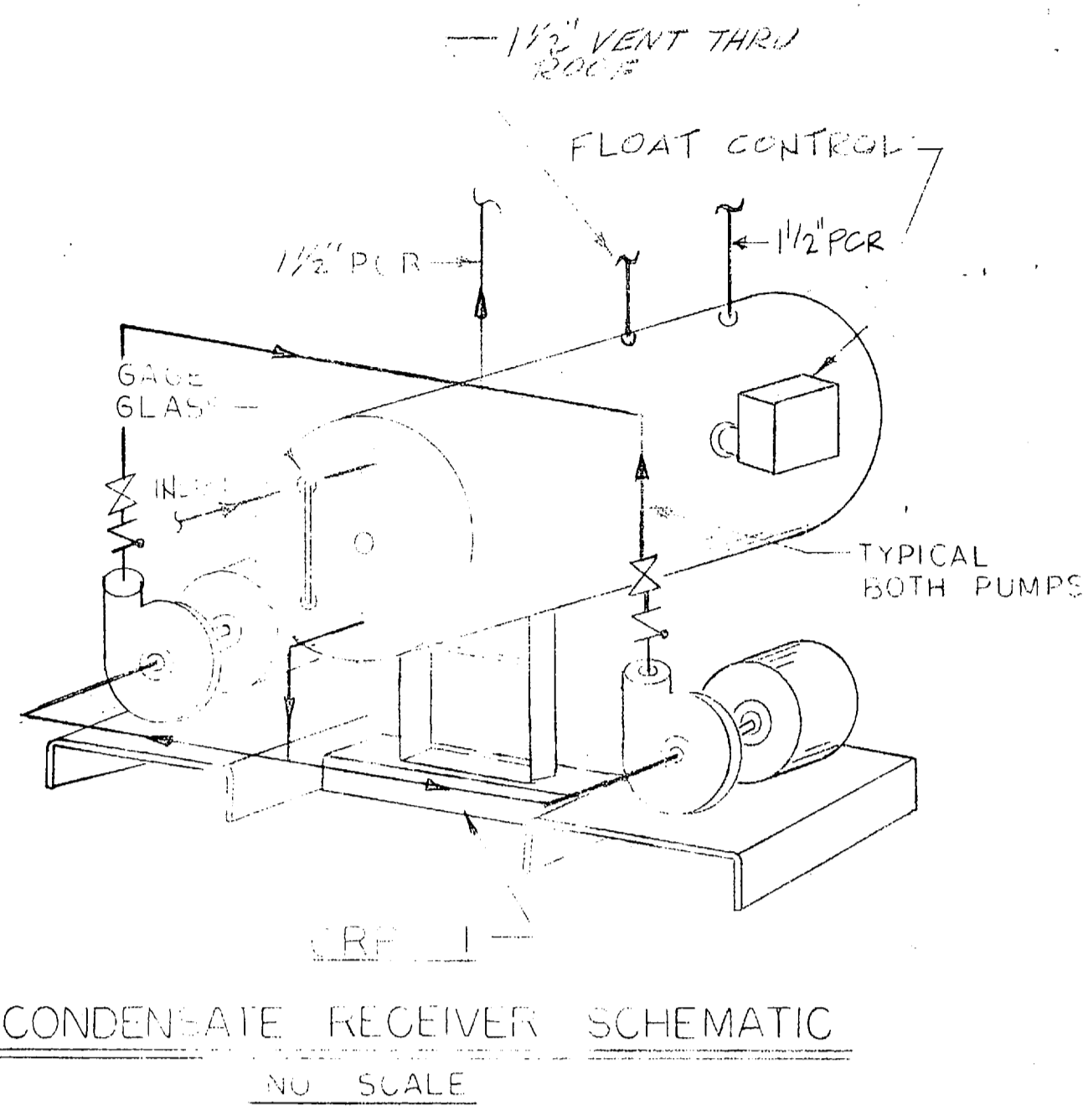
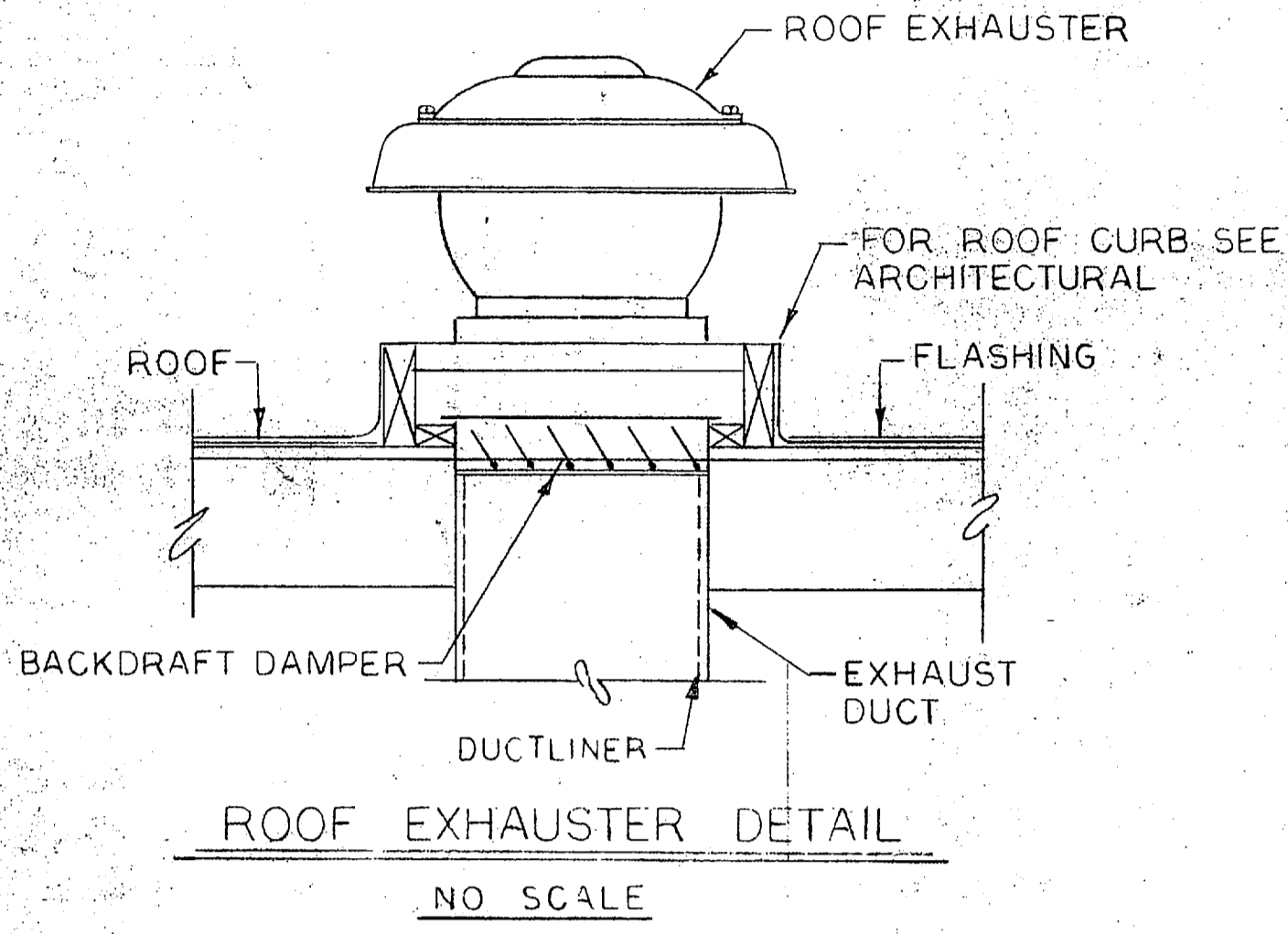


REVISIONS			
SYL	DESCRIPTION	DATE	APPROVED
1	AS BUILT DNSE.	1-18-80	ROBERT



#1220

LOCKWOOD GREENE ENG., INC.
ARCHITECTS & ENGINEERS

DEPARTMENT OF THE NAVY
NAVAL FACILITIES ENGINEERING COMMAND
ATLANTIC DIVISION
NAVAL STATION
NOFOLK, VIRGINIA

MARINE CORPS BASE, CAMP LEJEUNE, N. C.
EXCHANGE CAFETERIA & RESTAURANT
PARTIAL PIPING PLAN & DETAILS
H. V. A. C.

SIZE: 80091
CODE IDENT. NO.: 4032612
CONSTR. CONTR. NO.: 102470-75-B-5028
SHEET 47 OF 60

DATE: 05-75-5328

