

**SCHEMATIC DIAGRAM
PRESSURE REDUCING VALVE ASSEMBLY**
No Scale

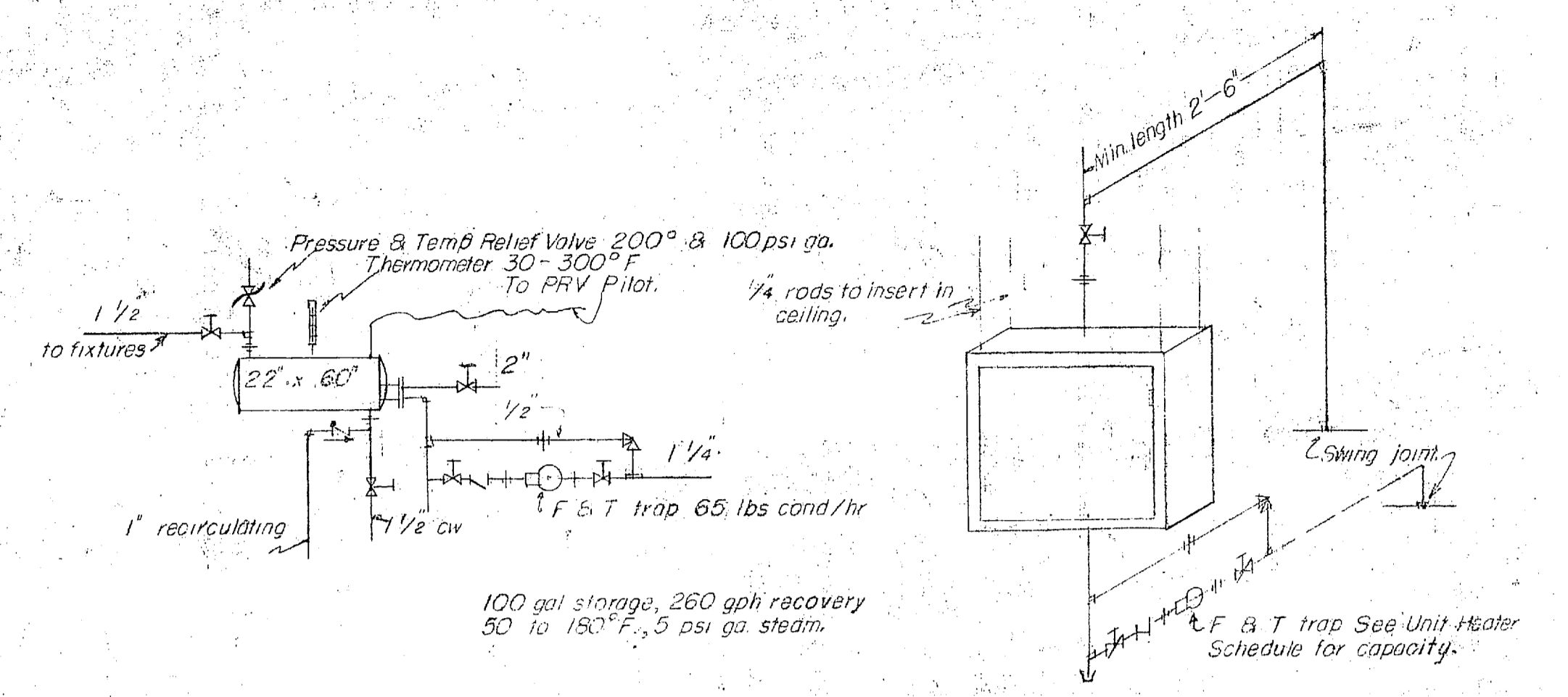
UNIT HEATER SCHEDULE

Unit Htr.	No. Rqd.	Room	Load Btu/hr.	Type	Pressure psi ga.	Ent. air F.	Min. CFM	App. HP.	Trap lbs cond/hr.
A	1	Toilet	11,200	Horiz.	5	70	370	1/30'	36
B	3	Repair & Test	49,500	Horiz.	5	55	790	1/20'	155
C	1	Paint Shop	52,600	Horiz.	5	55	630	1/20'	165
D	1	Carpenter Shop	23,300	Horiz.	5	55	440	1/30'	75
E	1	Tool & Test Instruments	38,000	Horiz.	5	55	550	1/20'	180
F	3	Radio & Telephone	51,300	Horiz.	5	55	850	1/20'	180
G	1	Office	47,400	Horiz.	5	70	790	1/20'	155

Note: Trap sizes are minimum capacities.

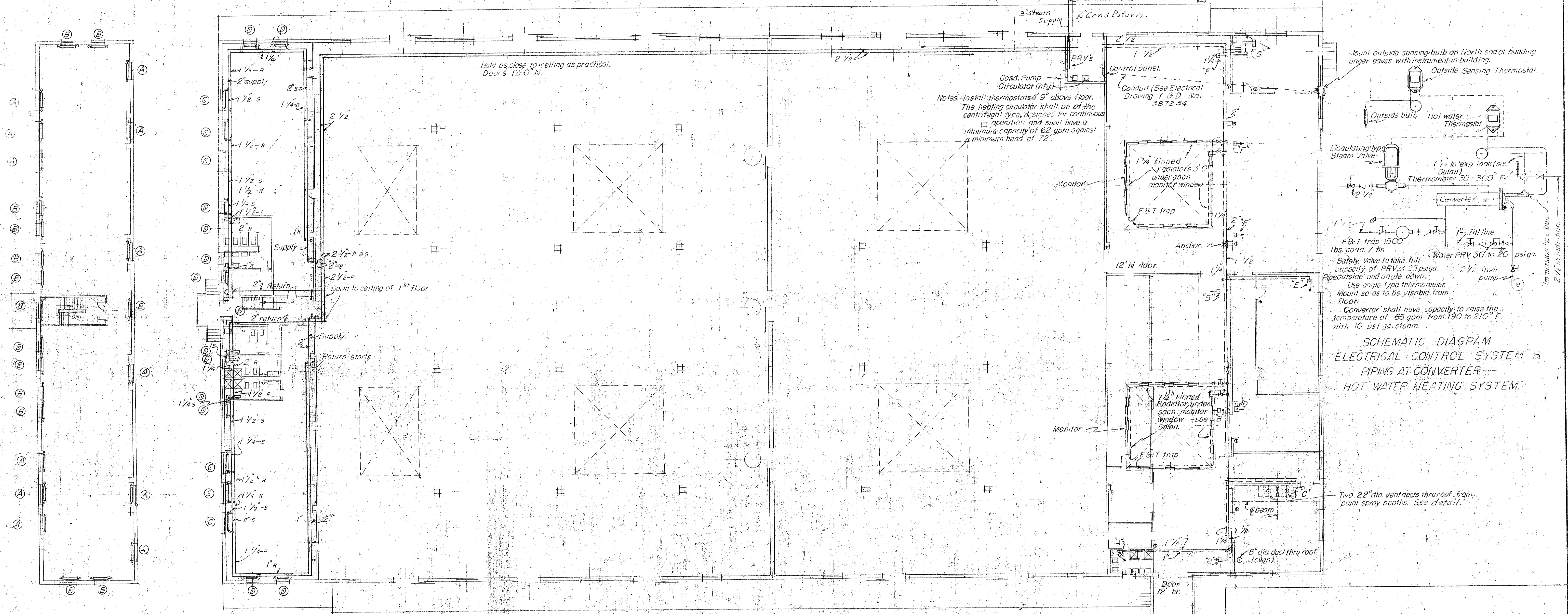
RADIATOR SCHEDULE

Radiator	No. Required	No. of Sections	Total Sct. ft.	Runouts to Rad.
A	12	40	60	3/4 on each
B	14	20	40	
C	6	5	7 1/2	
D	13	24	45	

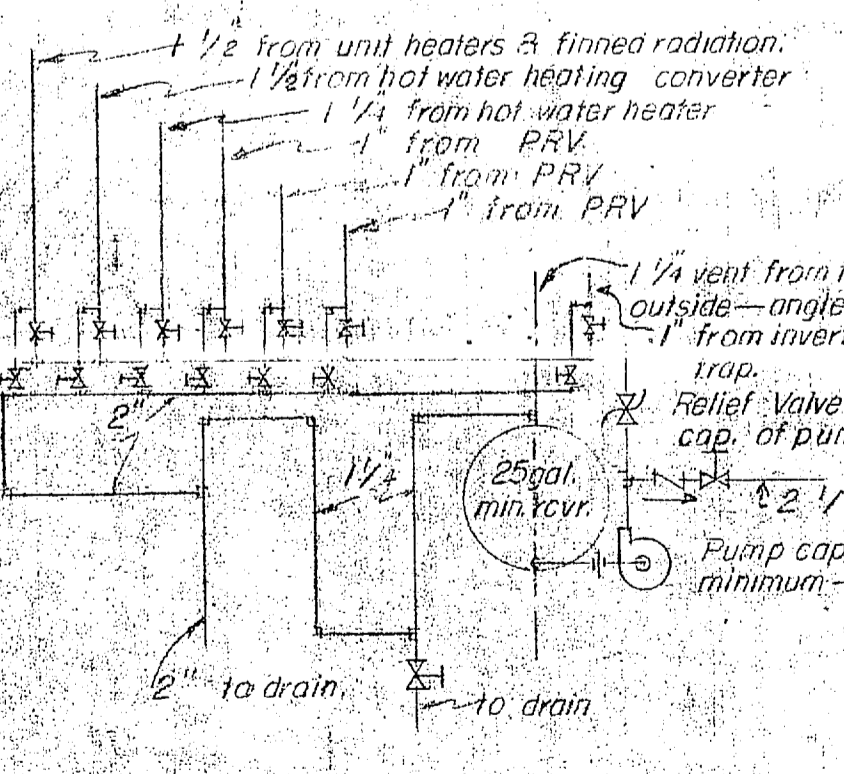


**SCHEMATIC DIAGRAM
PIPING AT WATER HEATER**
No Scale

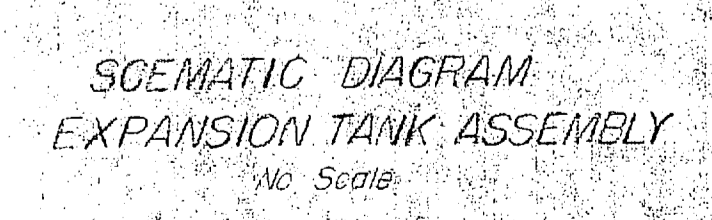
**SCHEMATIC DIAGRAM
PIPING AT UNIT HEATERS**
No Scale



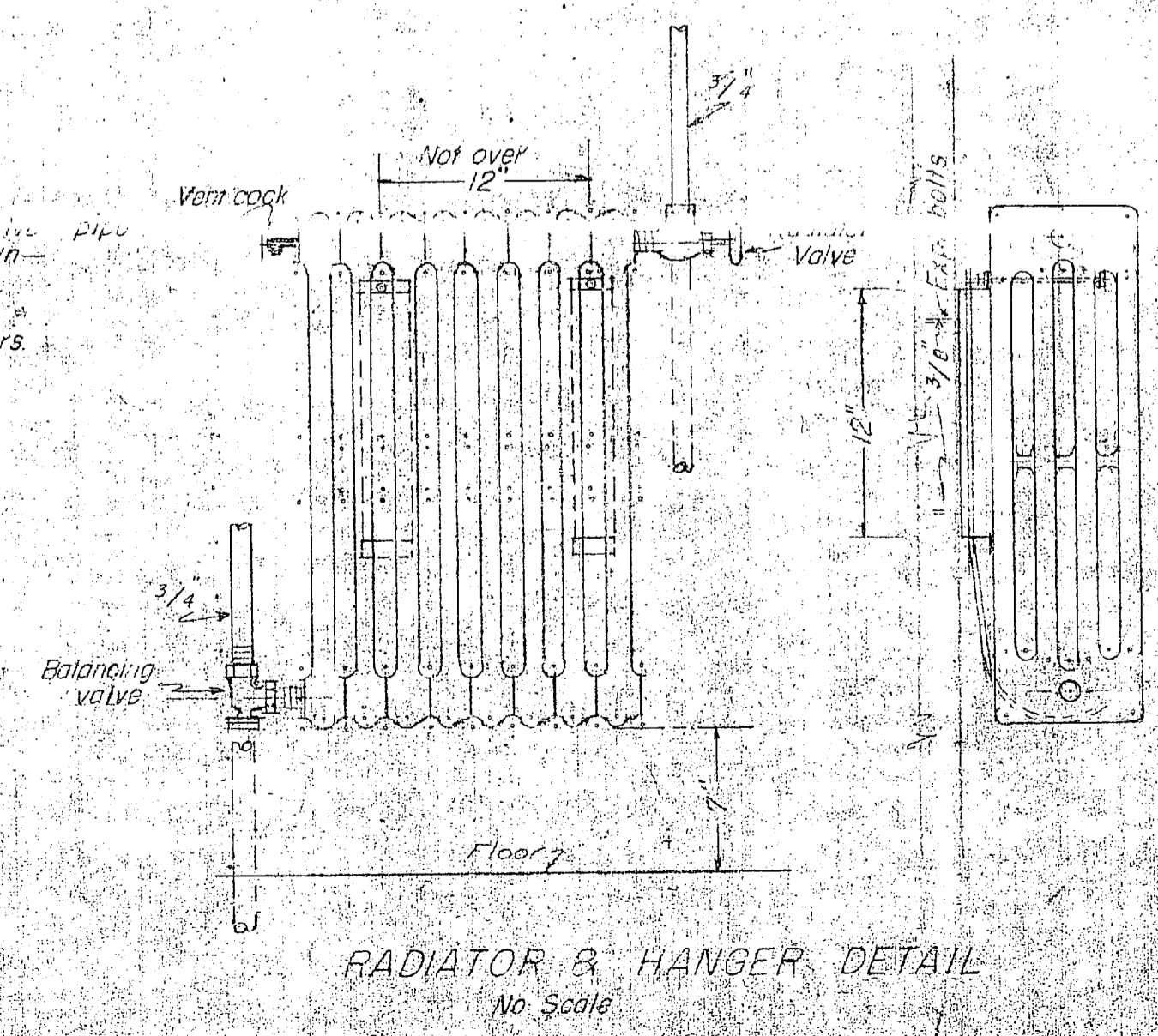
PLAN
1/16" = 1'-0"



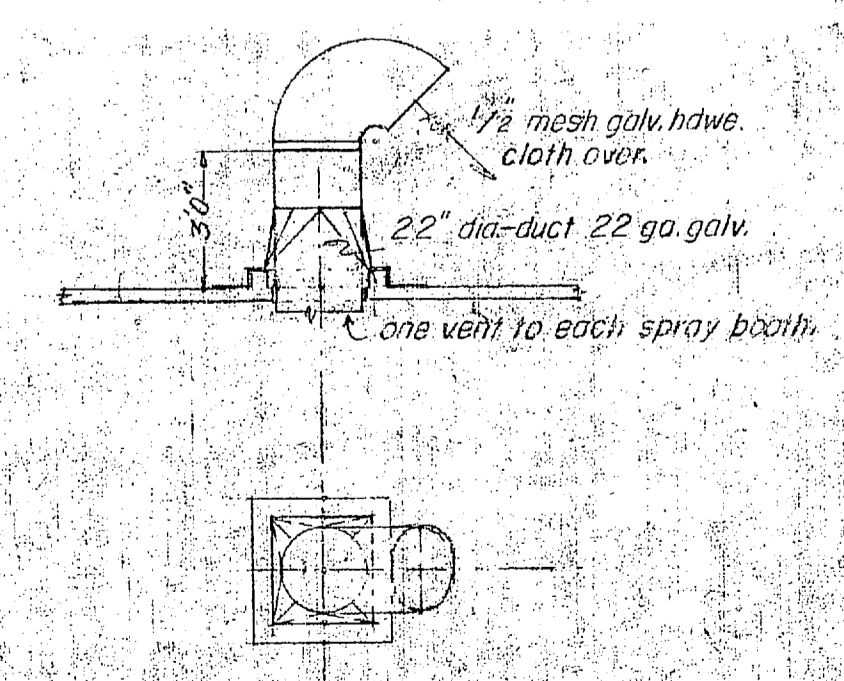
**SCHEMATIC DIAGRAM
PIPING TO CONDENSATE PUMP**
No Scale



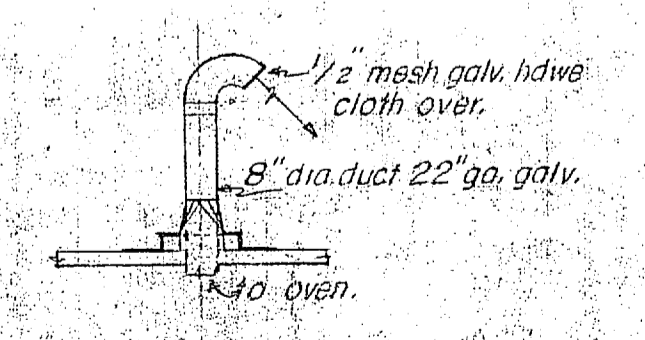
**SCHEMATIC DIAGRAM
EXPANSION TANK ASSEMBLY**
No Scale



RADIATOR & HANGER DETAIL
No Scale



**PLAN & ELEVATION
VENT DUCT FOR SPRAY BOOTHS**
1/4" = 1'-0"



**PLAN & ELEVATION
VENT DUCT FOR OVEN**
1/4" = 1'-0"

REV.	BY	DATE	DESCRIPTION	P.W.O.
A	Deman	4/17/46	Misc. Corrections. Ref. No. Added	617
APPROVED				
THE QUARTERMASTER GENERAL OF THE U.S. MARINE CORPS				
19				
DRAWN BY: F.A. Sullivan		PUBLIC WORKS DEPARTMENT		
CHECKED BY: W. W. W.		CAMP LEJEUNE — NORTH CAROLINA		
IN CHARGE: E. C. Corbett		EXPANSION OF INDUSTRIAL AREA		
SCALE: As Noted		SIGNAL SUPPLY WAREHOUSE		
V. & S. DRAWING NO. 387251		9.05 HEATING		
P.W. DRAWING NO. 1378		SUBMITTED		
PROJECT NO. P-1325		SPECIFICATION NO. 17522		CONTRACT NO. NOY 13363

