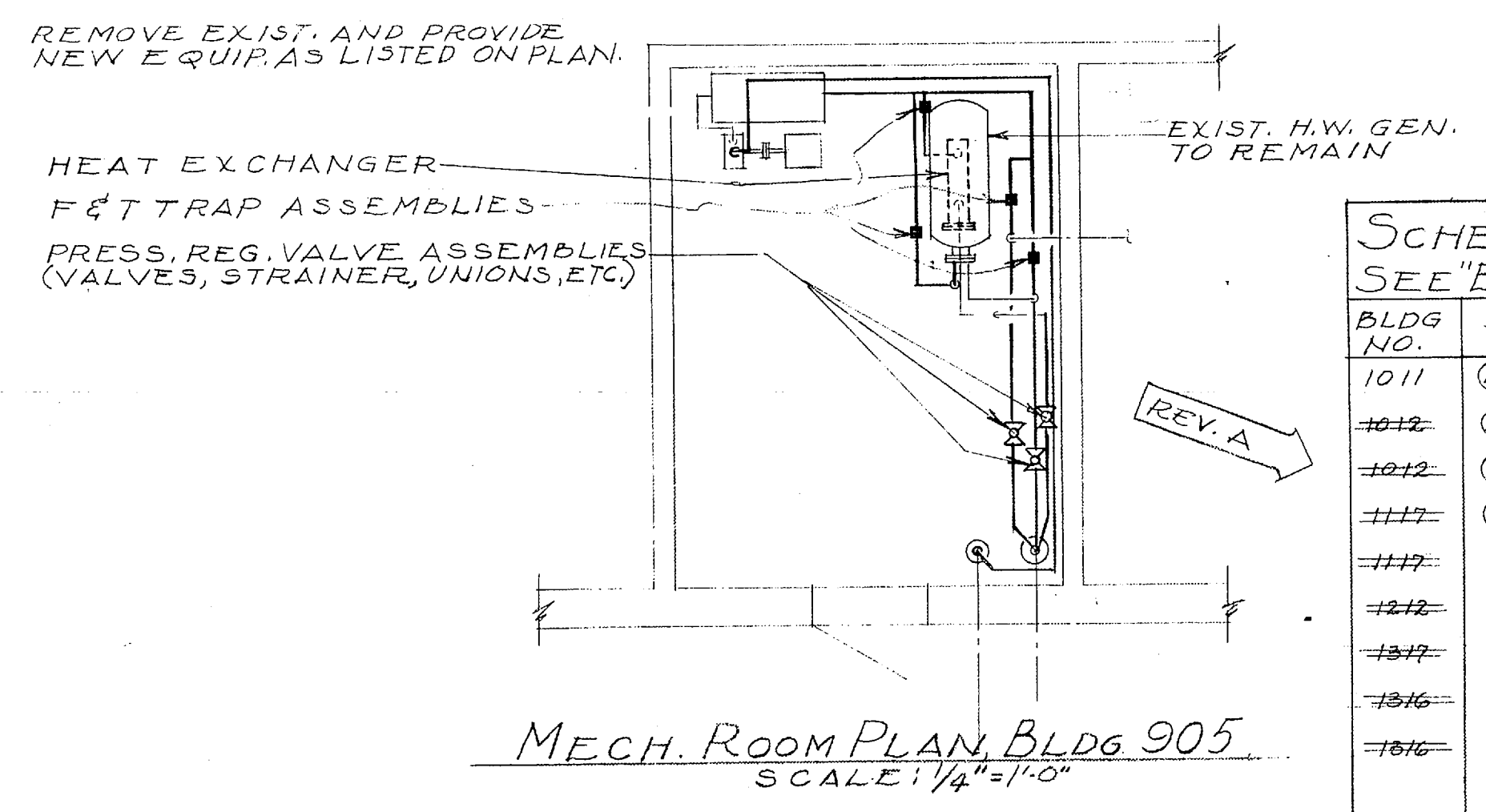
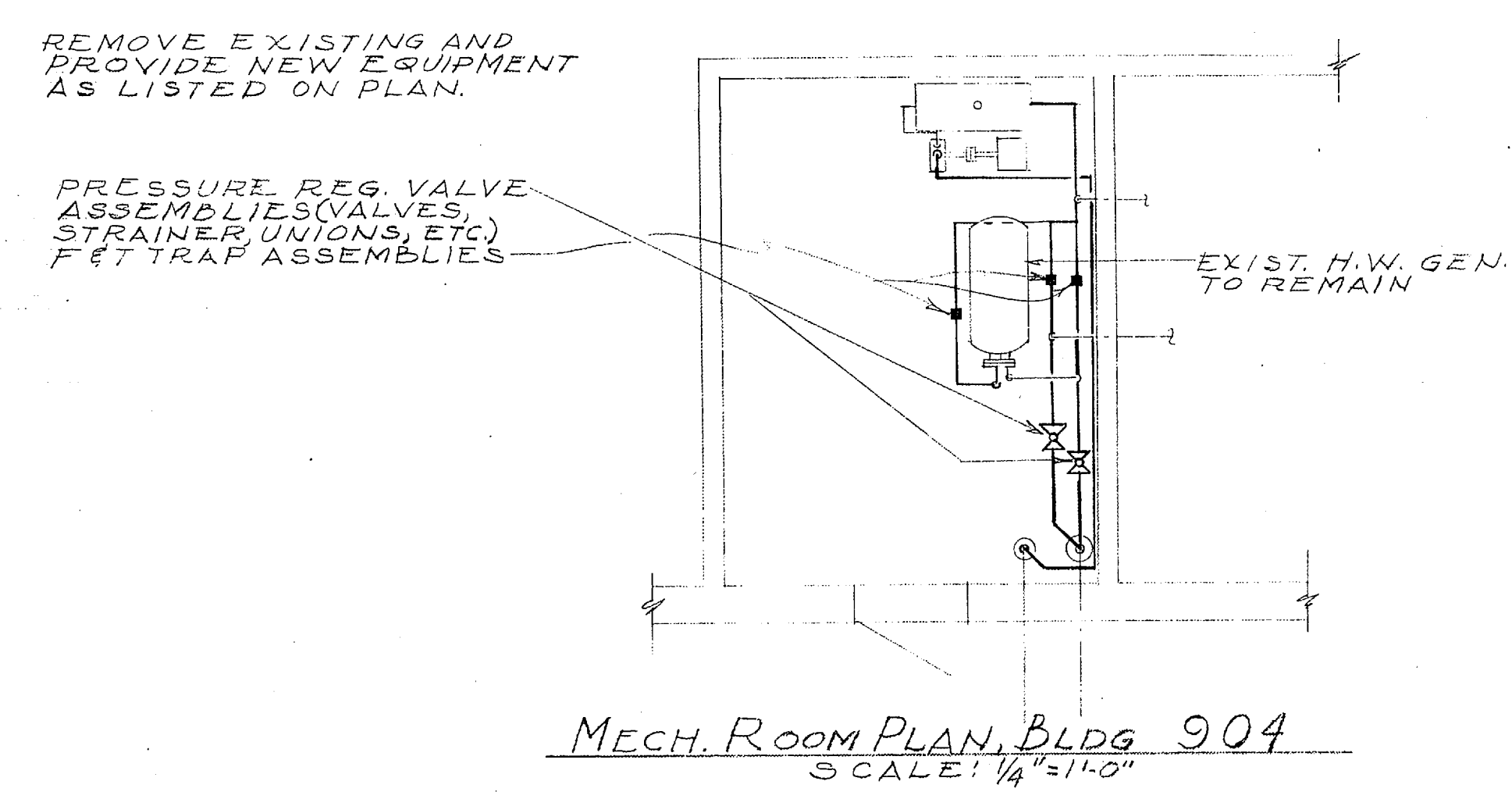
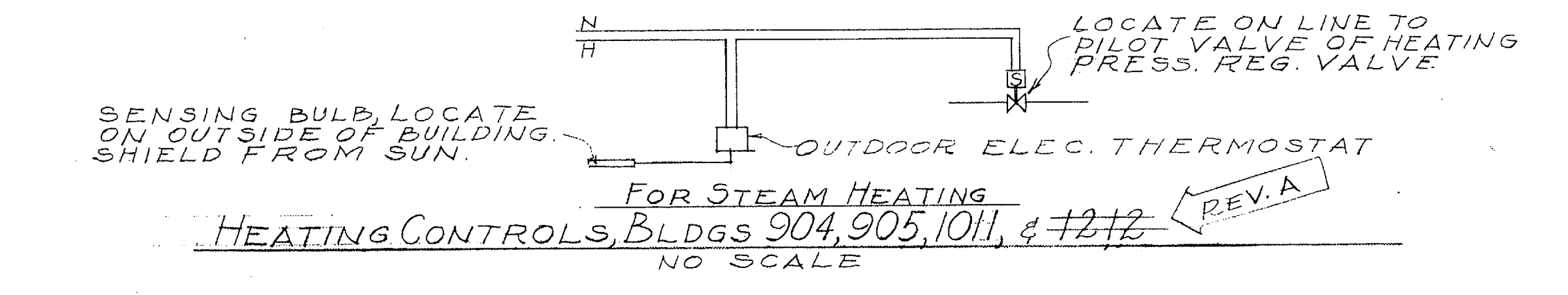
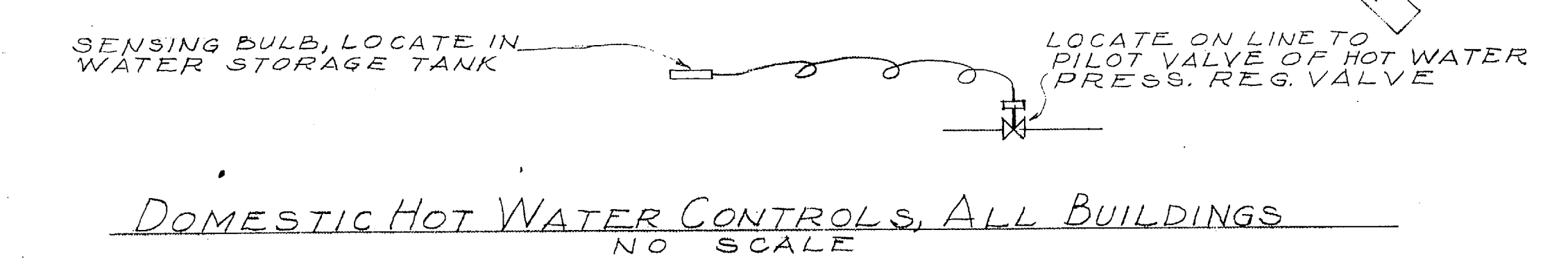
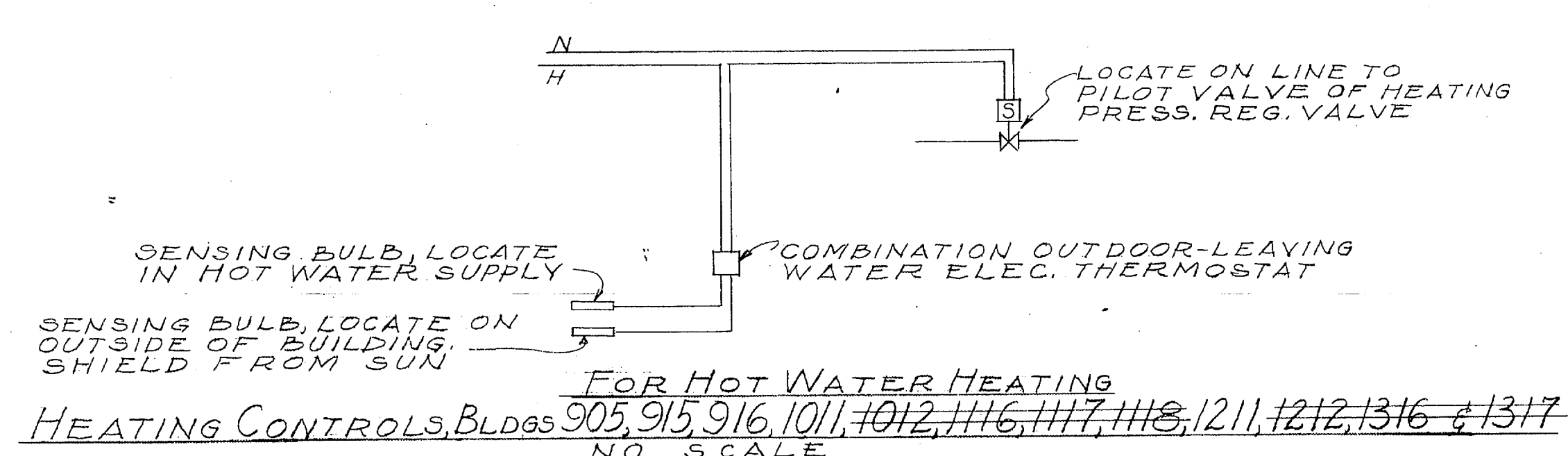


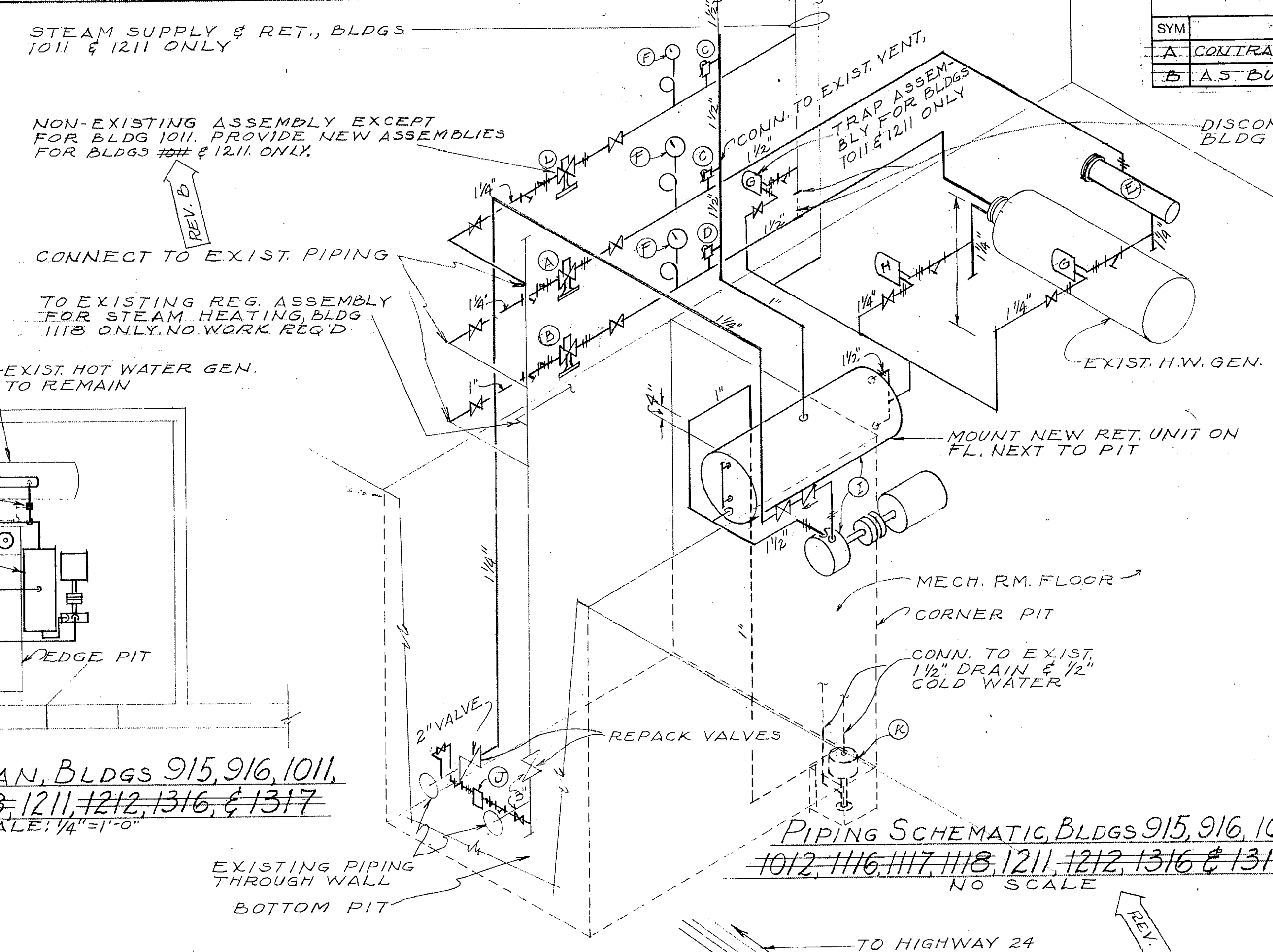
REVISIONS		
SYM	DESCRIPTION	DATE
A	CONTRACT FOR BLDGS IN DATE BID ONLY	9/25/70
B	A.S. BUILT REV.	7/27/71



NOTE: PLAN & SCHEMATIC REVERSE FROM THAT SHOWN FOR SOME BUILDINGS

REMOVE EXISTING AND PROVIDE NEW EQUIPMENT AS LISTED ON PLAN. (SEE SCHEDULE) HEAT EXCHANGER, F&T TRAP ASSEMBLIES, SUMP PUMP, CONDENSATE RET. UNIT, EXIST. UNIT IN PIT, PRESSURE REGULATING ASSEMBLIES (VALVES, STRAINER, UNIONS, ETC.), INVERTED BUCKET TRAP.

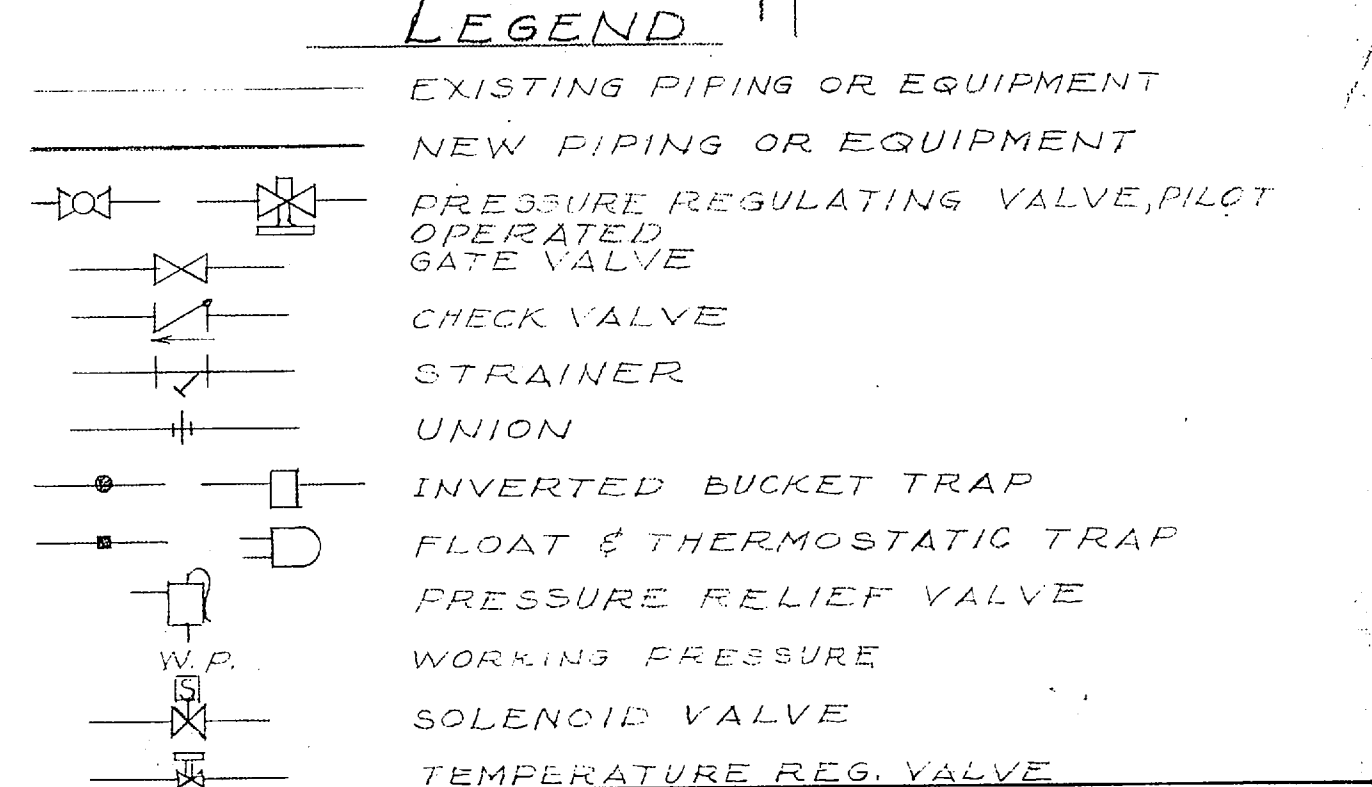
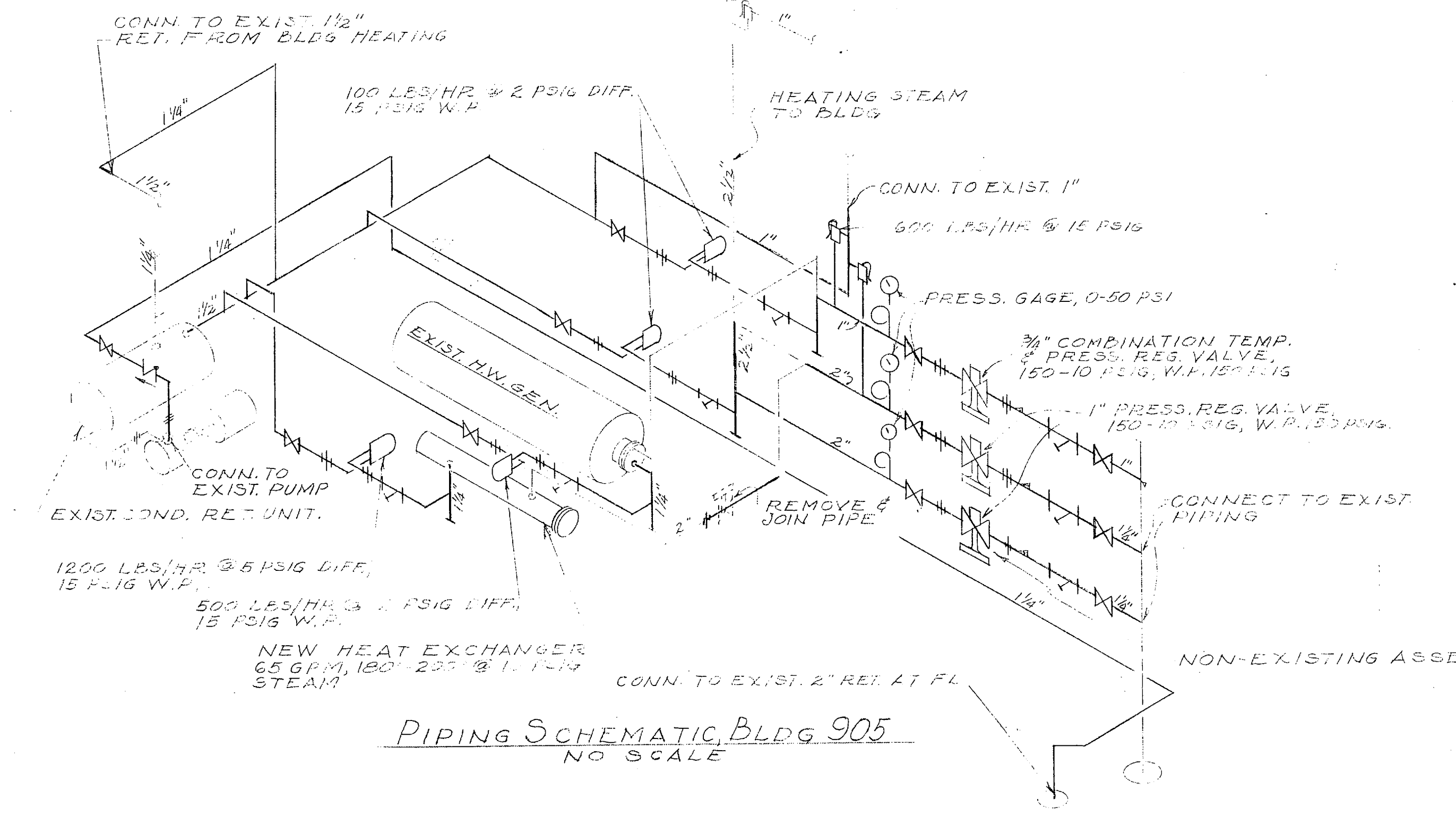
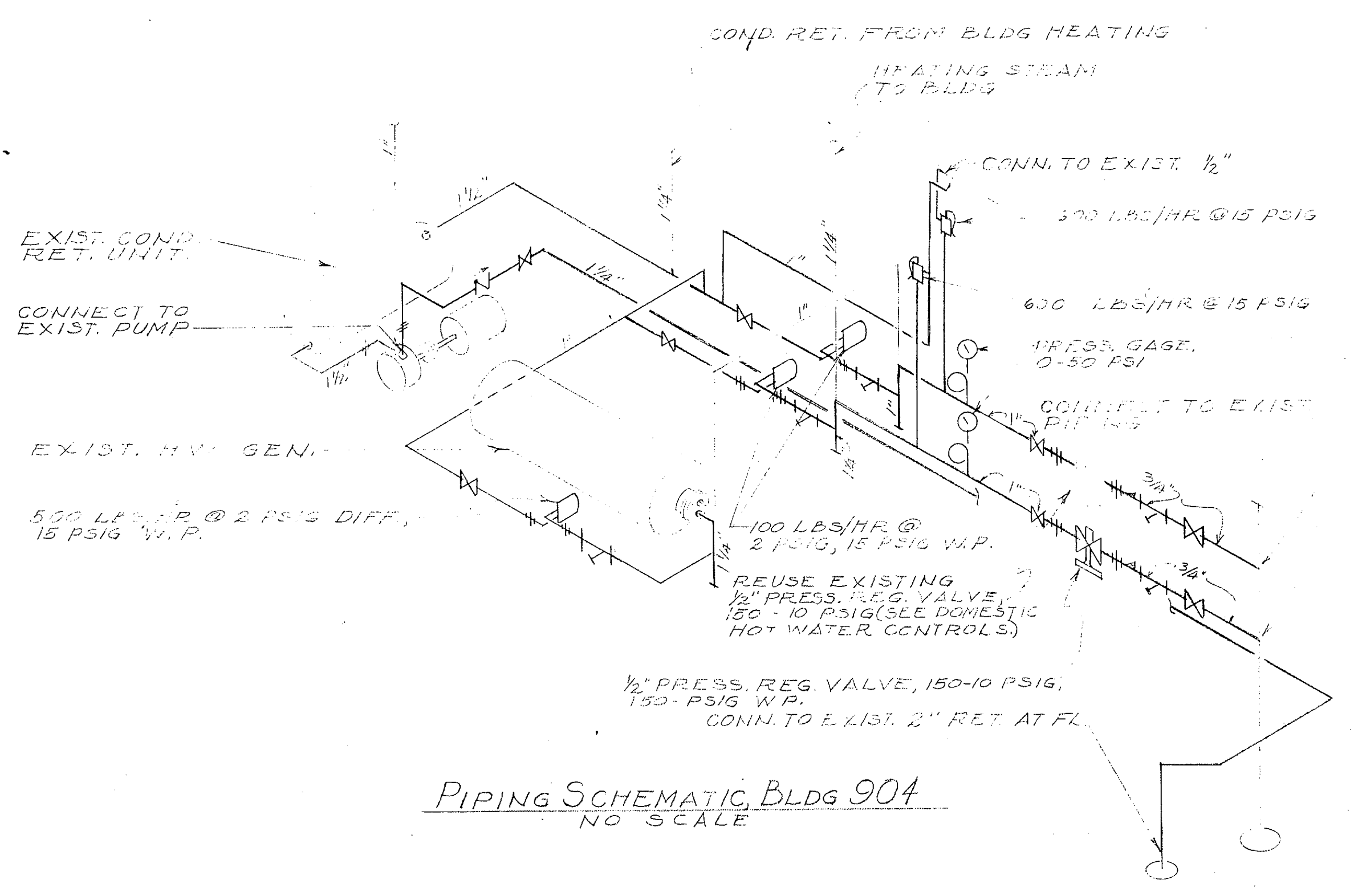
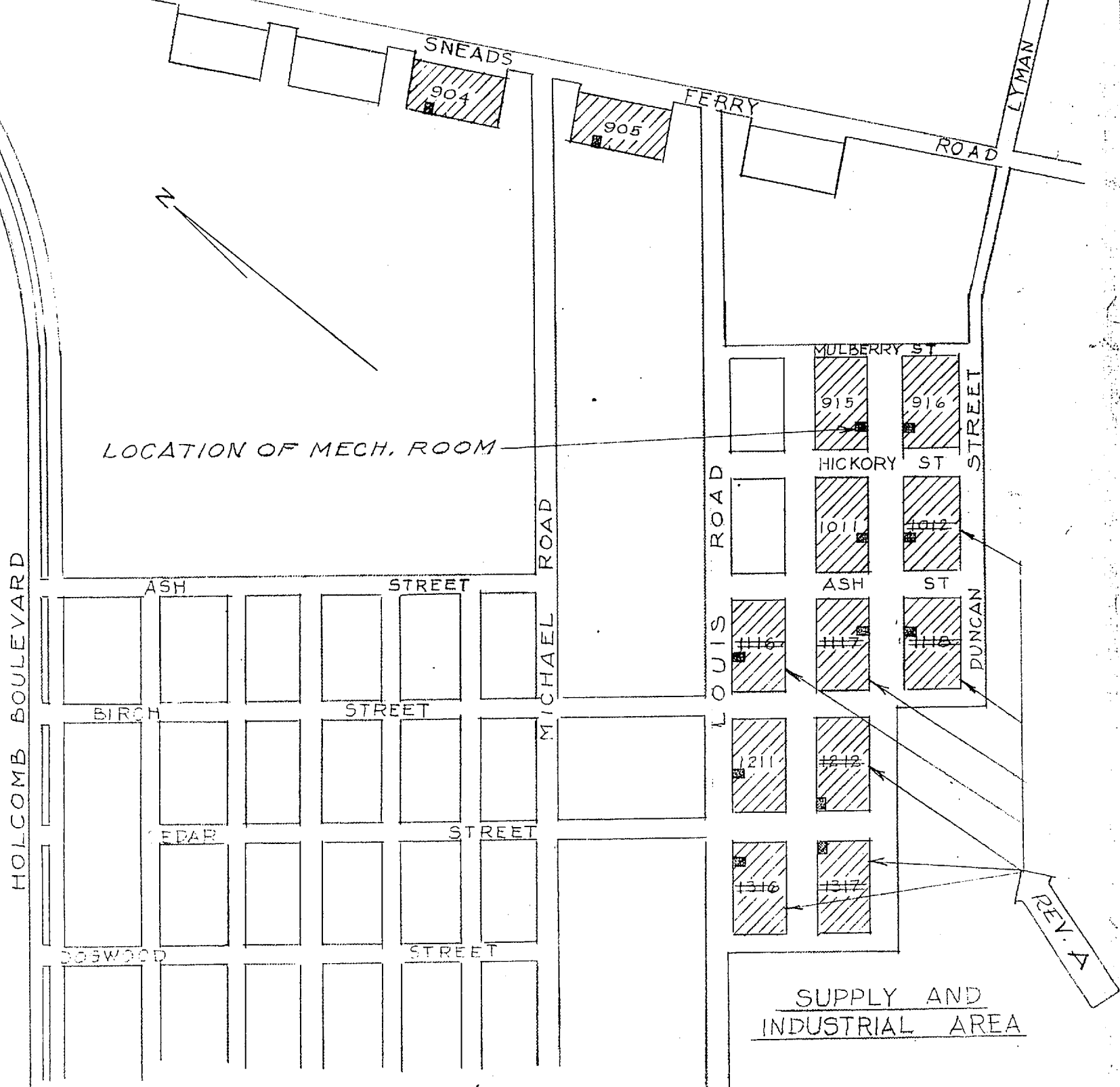
REMOVE EXIST. AND PROVIDE NEW EQUIP. AS LISTED ON PLAN. HEAT EXCHANGER, F&T TRAP ASSEMBLIES, PRESS. REG. VALVE ASSEMBLIES (VALVES, STRAINER, UNIONS, ETC.)



BLDG	ITEM NO'S	REMARKS
1011	(A)	
1012	(A)	
1112	(A)	
1117	(A)	
1212	(A)	
1317	(A)	
1316	(A)	

ITEM	DESCRIPTION	CHARACTERISTICS
(A)	PRESS. REG. VALVE	1" 150-10 PSIG, 150 PSIG W.P., 0-300 LBS/HR
(B)	COND. TEMP. F&T TRAP	3/4" 150-10 PSIG, 150 PSIG W.P., 0-500 LBS/HR
(C)	PRESS. REG. VALVE	1" 150-10 PSIG, 150 PSIG W.P., 0-300 LBS/HR
(D)	HEAT EXCHANGER	180"-200" @ 10 PSIG
(E)	STEAM PRESS. GAGE	0-50 LBS PRESS.
(F)	F&T TRAP	1200 LBS/HR @ 5 PSIG DIFF., 15 PSIG W.P.
(G)	F&T TRAP	500 LBS/HR @ 2 PSIG DIFF., 15 PSIG W.P.
(H)	COND. RET. UNIT	20 GAL. RECEIVER, 12 GPM TURBINE PUMP @ 70 PSIG
(I)	INVERT. BUCKET TRAP	100 LBS/HR @ 15 PSIG W.P.
(J)	SUMP PUMP	WATER OPERATED, 370 GPM @ 15 FT. HEAD
(K)	PRESS. REG. VALVE	1" 150-10 PSIG, 150 PSIG W.P., 0-300 LBS/HR

* BUILDINGS 1011, 1118 & 1211 ONLY, 65 GPM
† BUILDINGS 915, 916, 1012, 1117, 1118, 1212, 1316 & 1317, 25 GPM



PUBLIC WORKS DEPT. MARINE CORPS BASE CAMP LEJEUNE, N.C.		NAVAL FACILITIES ENGINEERING COMMAND ATLANTIC DIVISION NORFOLK, VIRGINIA	
MECHANICAL REPAIRS, VARIOUS BLDGS.			
PLAN & DETAILS: HEATING BLDGS. 904, 905, 915, 916, 1011, 1012, 1116, 1117, 1118, 1211, 1212, 1316 & 1317			
DESIGNED BY	DRYDEN	CHKD BY	DRYDEN
APPROVED BY	DRYDEN	DATE	11/20
Satisfactory to		DATE	
COMMANDING GENERAL	RD	NAVAL DRAWING NO.	1243989
HD	DR	F 80091	CONSTR CONTR NO 962470-70-B-0489
APPROVED	DATE	SCALE	GRAPHIC SPEC 05-70-0489 SHEET 3 OF 3

Bids I