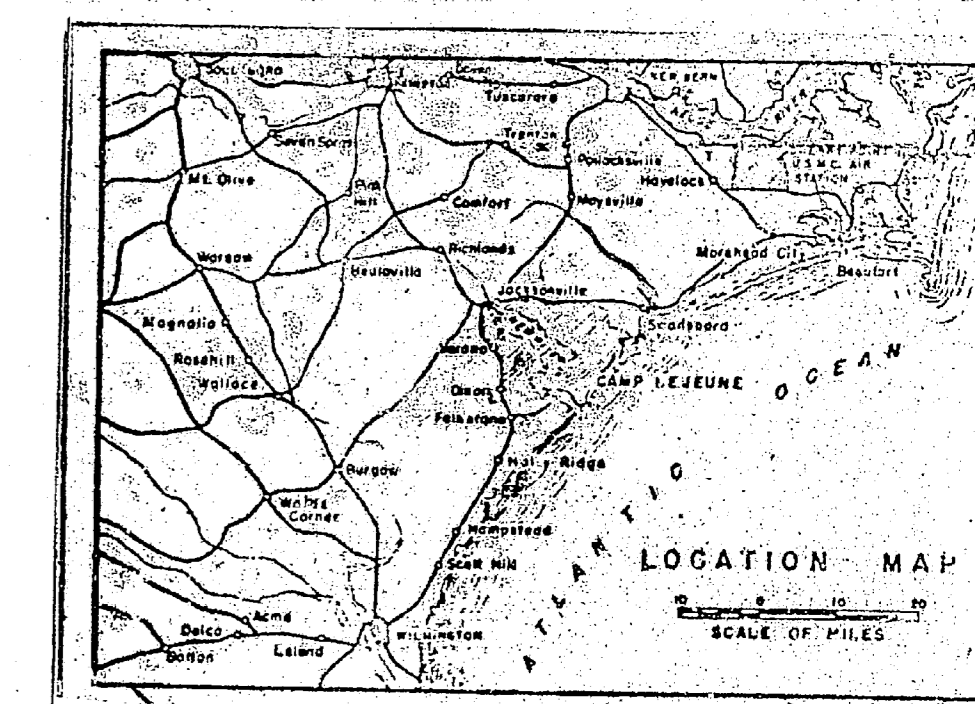
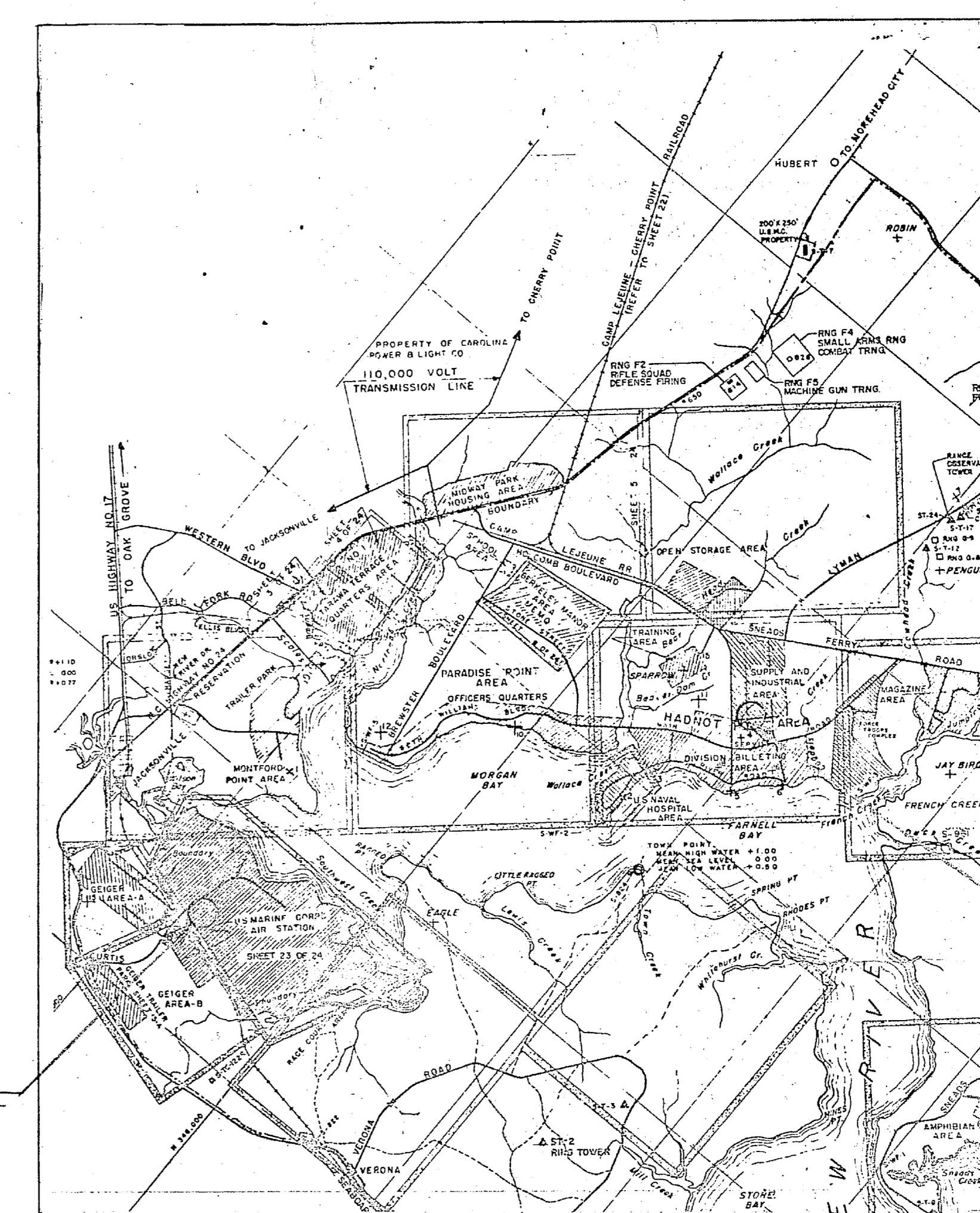


REVISIONS			
SYM	DESCRIPTION	DATE	APPROVED



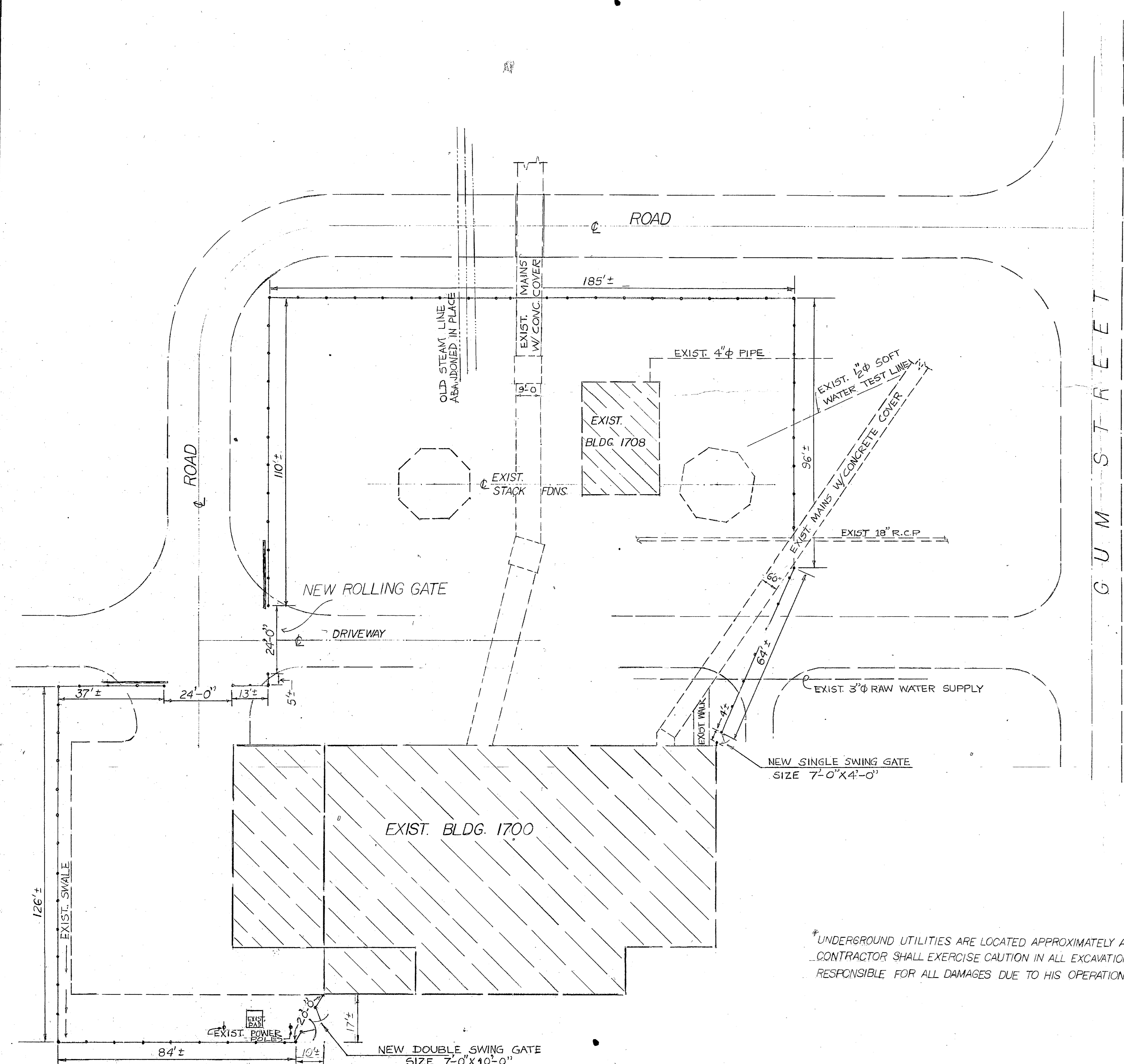
VICINITY MAP



LOCATION PLAN

LEGEND

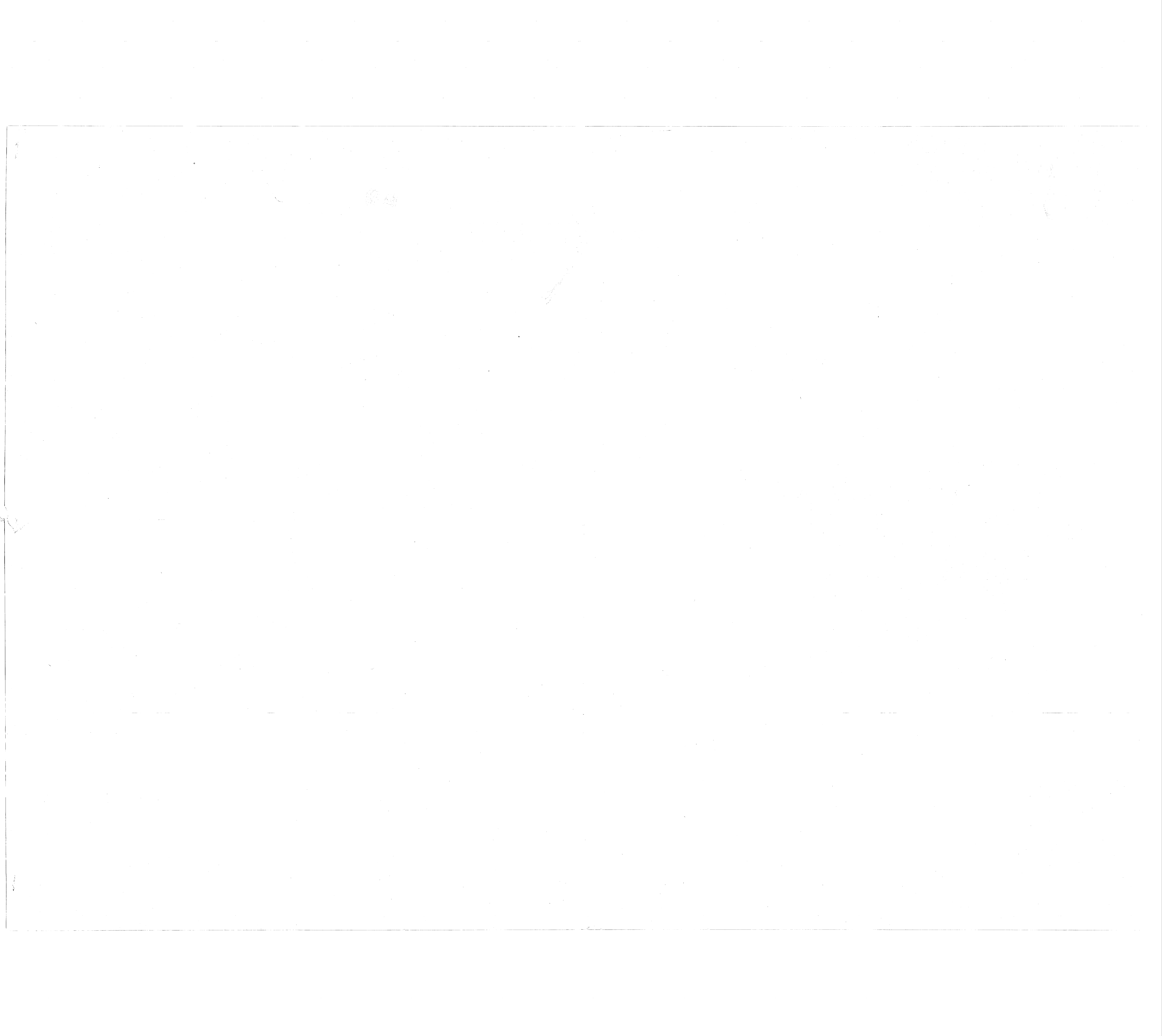
	EXISTING	NEW
BUILDING		
SECURITY FENCE		
SWING GATE		
ROLLING GATE		



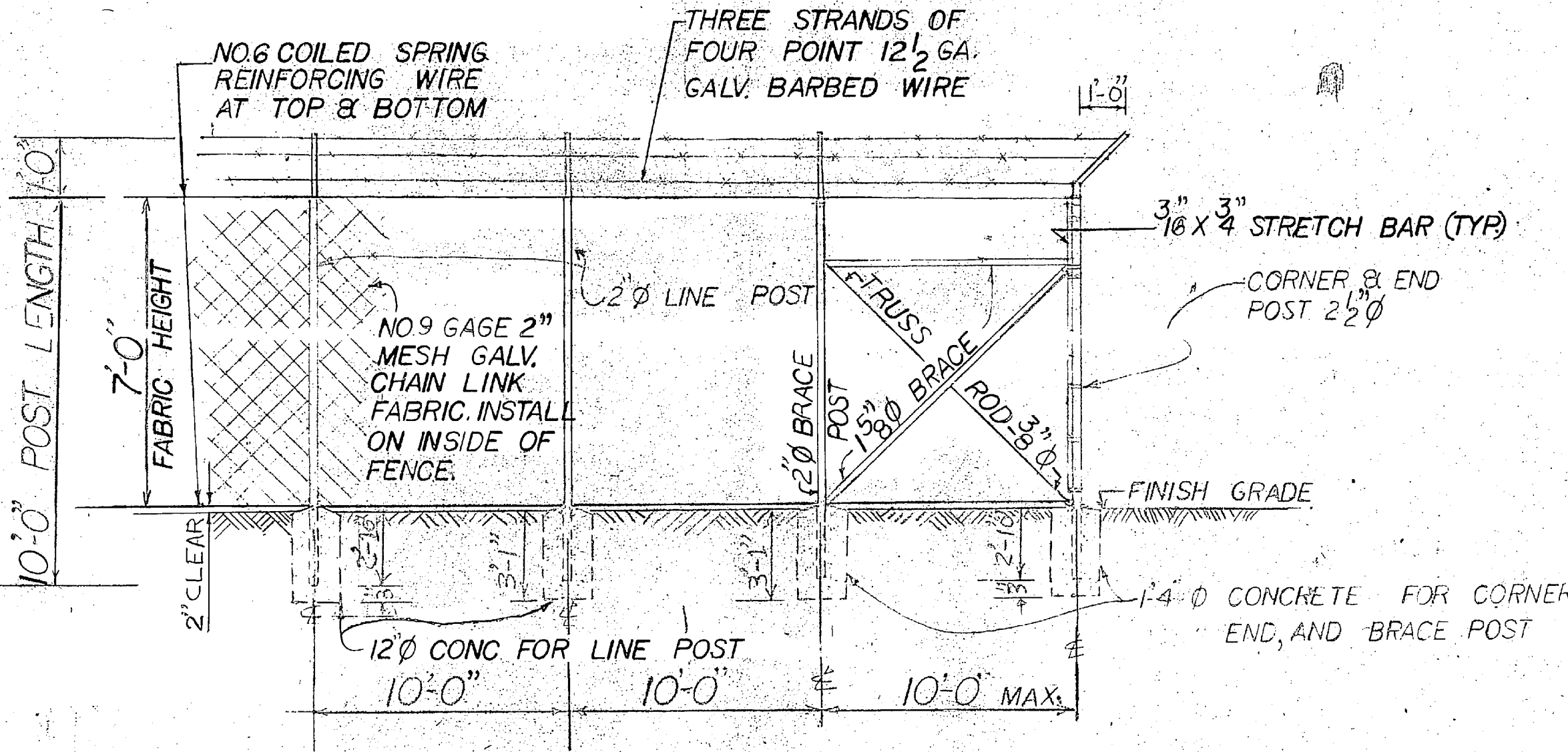
SITE PLAN SITE NO.1
SCALE: 1"=20'-0"

* UNDERGROUND UTILITIES ARE LOCATED APPROXIMATELY AS SHOWN
CONTRACTOR SHALL EXERCISE CAUTION IN ALL EXCAVATIONS AND SHALL BE
RESPONSIBLE FOR ALL DAMAGES DUE TO HIS OPERATIONS.

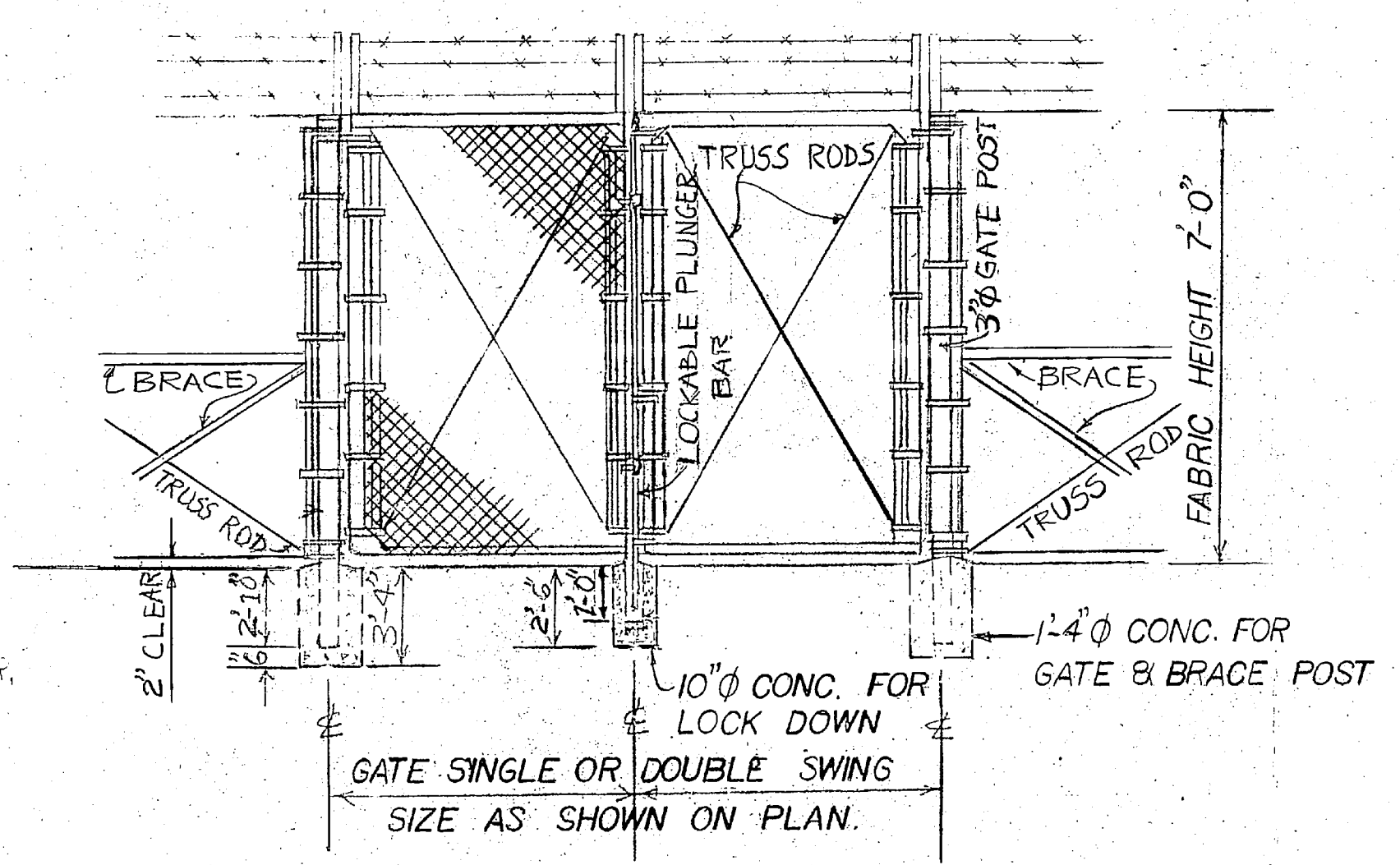
PUBLIC WORKS DEPT. MARINE CORPS BASE CAMP LEJEUNE, N.C.		DEPARTMENT OF THE NAVY NAVAL FACILITIES ENGINEERING COMMAND ATLANTIC DIVISION	
DESIGNED BY: DR	CHK V.M.	MARINE CORPS BASE, CAMP LEJEUNE, N.C.	
APPROVED BY: [Signature]	DATE: [Date]	LOCATION MAPS SITE PLAN BLDG. 1700	
PUBLIC WORKS OFFICER FOR THE CG		SIZE	CODE IDENT NO.
SYNTHETIC TO DATE		F	80091
COMMANDING GENERAL		NAVFAC DRAWING NO.	4049560
NO.	DIR.	DATE	CONSTR. CONTR. NO. N62470-80-B-2037
APPROVED BY: [Signature]	DATE: 2/1/70	SCALE GRAPHIC	SPEC 05-80-2037
FOR COMMANDER, NAVFAC		SHEET 3 OF 3	



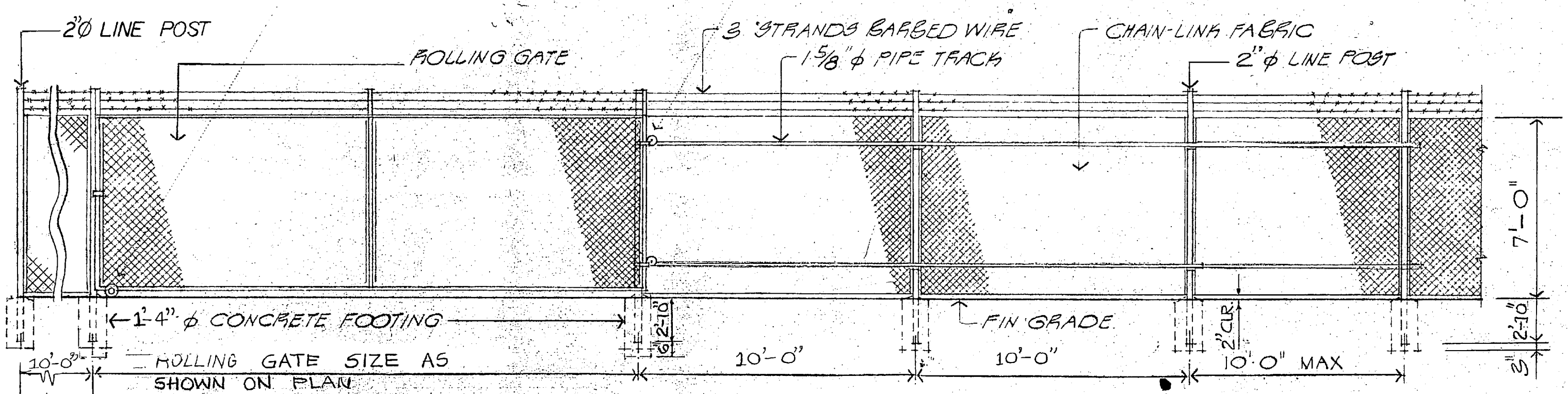
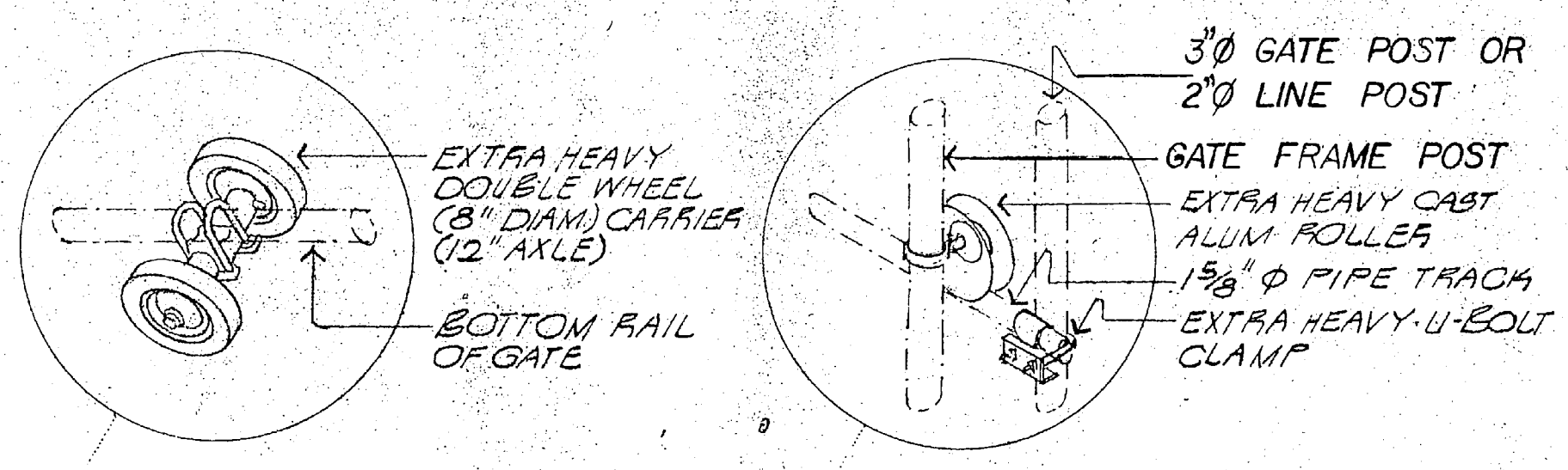
REVISIONS			
SYM	DESCRIPTION	DATE	APPROVED



FENCE DETAIL
NO SCALE



GATE ELEVATION
NO SCALE



PARTIAL ELEVATION OF FENCE
NO SCALE

PUBLIC WORKS DEPT. MARINE CORPS BASE CAMP LEJEUNE, N.C.	DEPARTMENT OF THE NAVY NAVAL FACILITIES ENGINEERING COMMAND ATLANTIC DIVISION NAVAL STATION MARINE CORPS BASE, CAMP LEJEUNE, N.C.
DESIGNER: [Signature] PROGRAM: [Signature] APPROVED: [Signature] SATISFACTORY TO: [Signature]	DATE: [Date] CHECKED: [Signature] GATE PUBLIC WORKS OFFICER DATE: [Date]
COMMANDED GENERAL EFD: [Signature] NO: [Signature] APPROVED: [Signature] FOR COMMANDER, NAVFAC	SIZE: CODE IDENT NO: 80091 NAVFAC DRAWING NO: 4049562 CONSTR. CONTR. NO: 470-80-B-2037 SCALE AS NOTED: SPEC 05-80-2037 SHEET 3 OF 3 LANTDIV: DWS NO.

