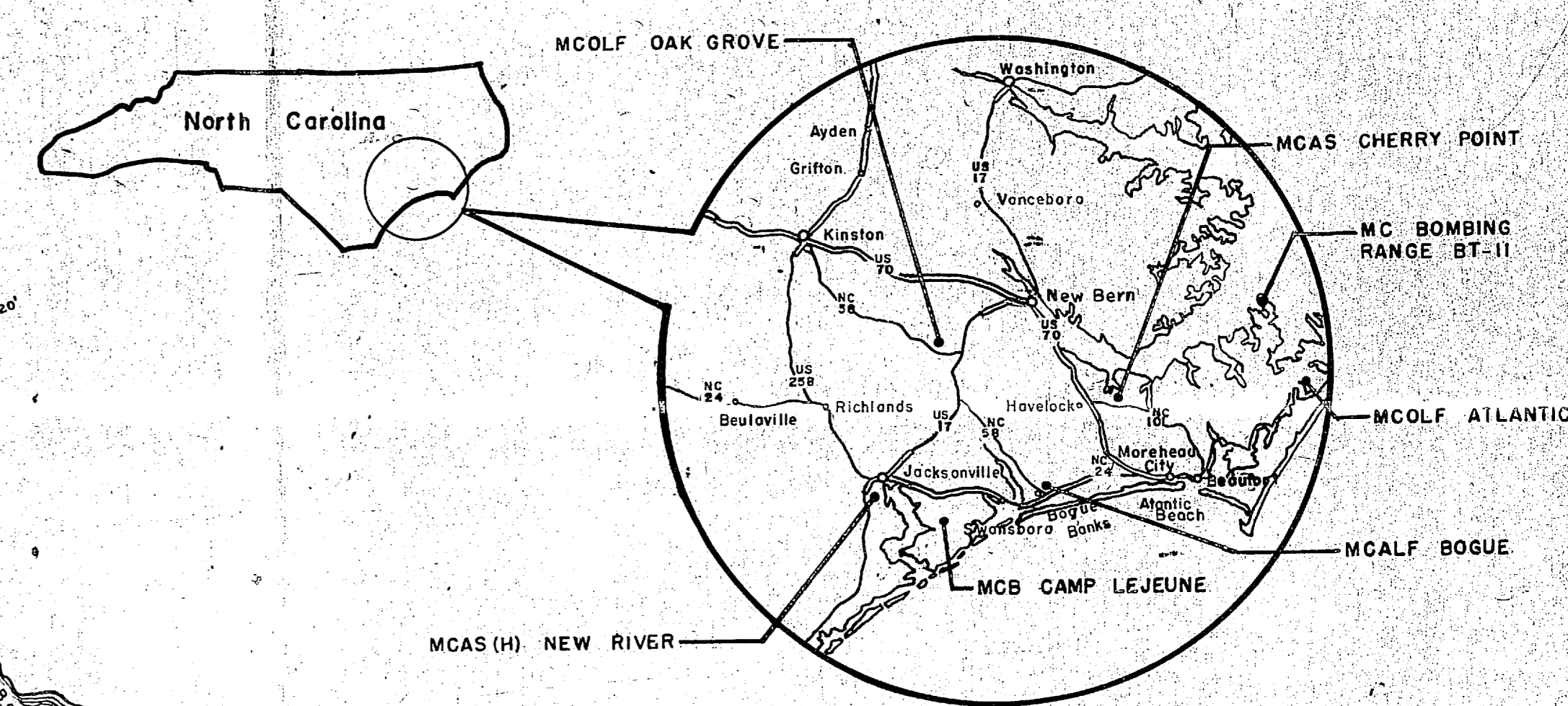
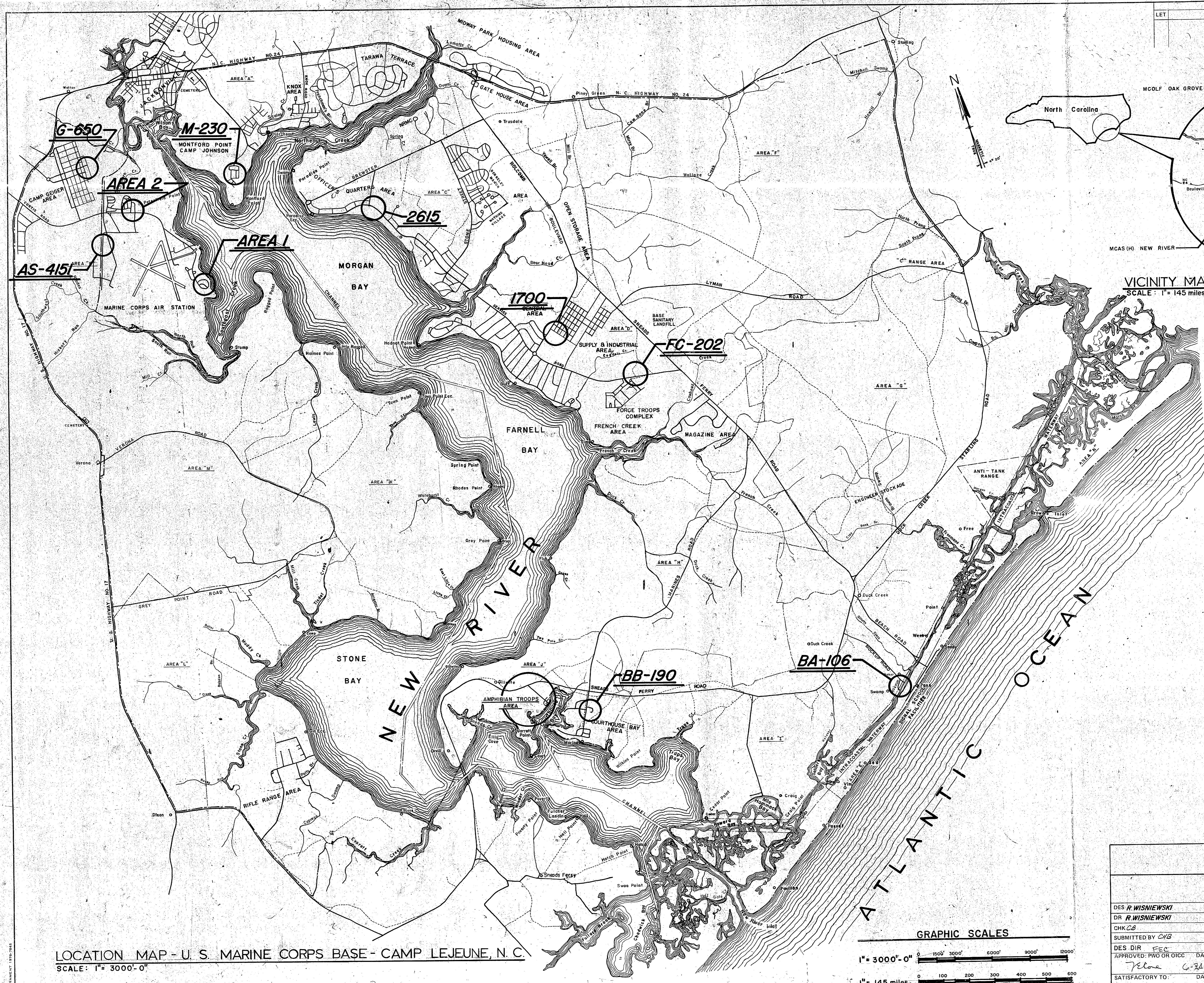
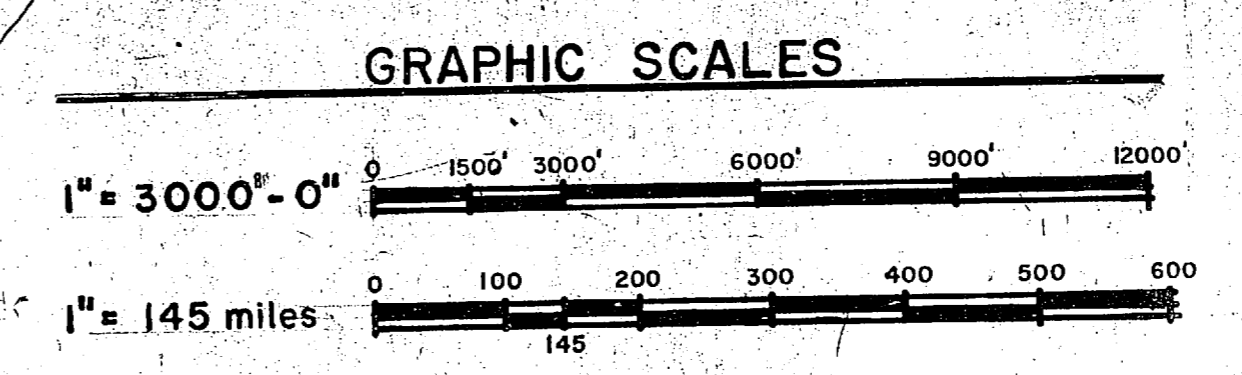


LET	DESCRIPTION	REVISIONS	PREP'D BY



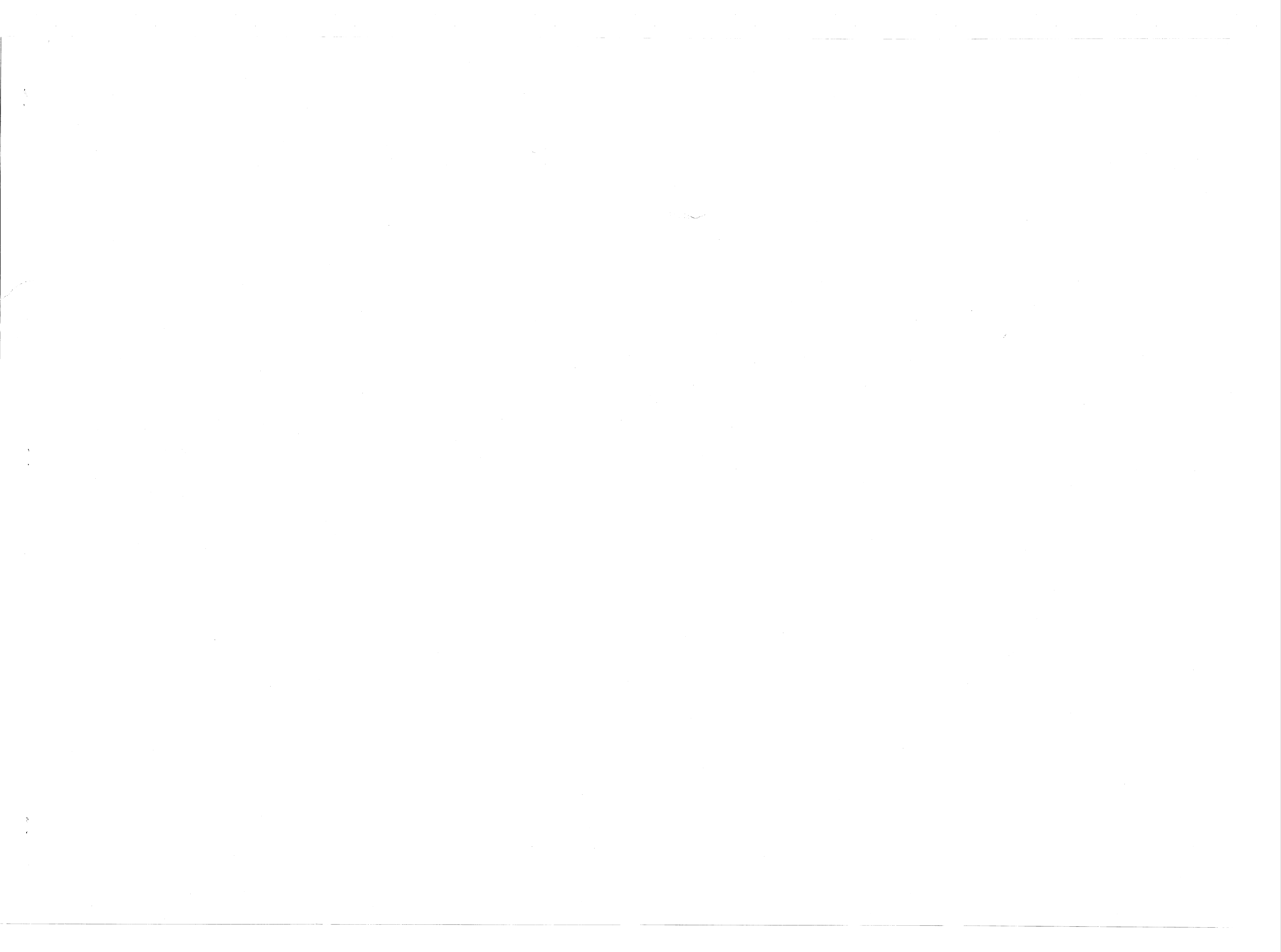
VICINITY MAP - CAMP LEJEUNE, N. C.
SCALE: 1" = 145 miles

LOCATION MAP - U. S. MARINE CORPS BASE - CAMP LEJEUNE, N. C.
SCALE: 1" = 3000'-0"

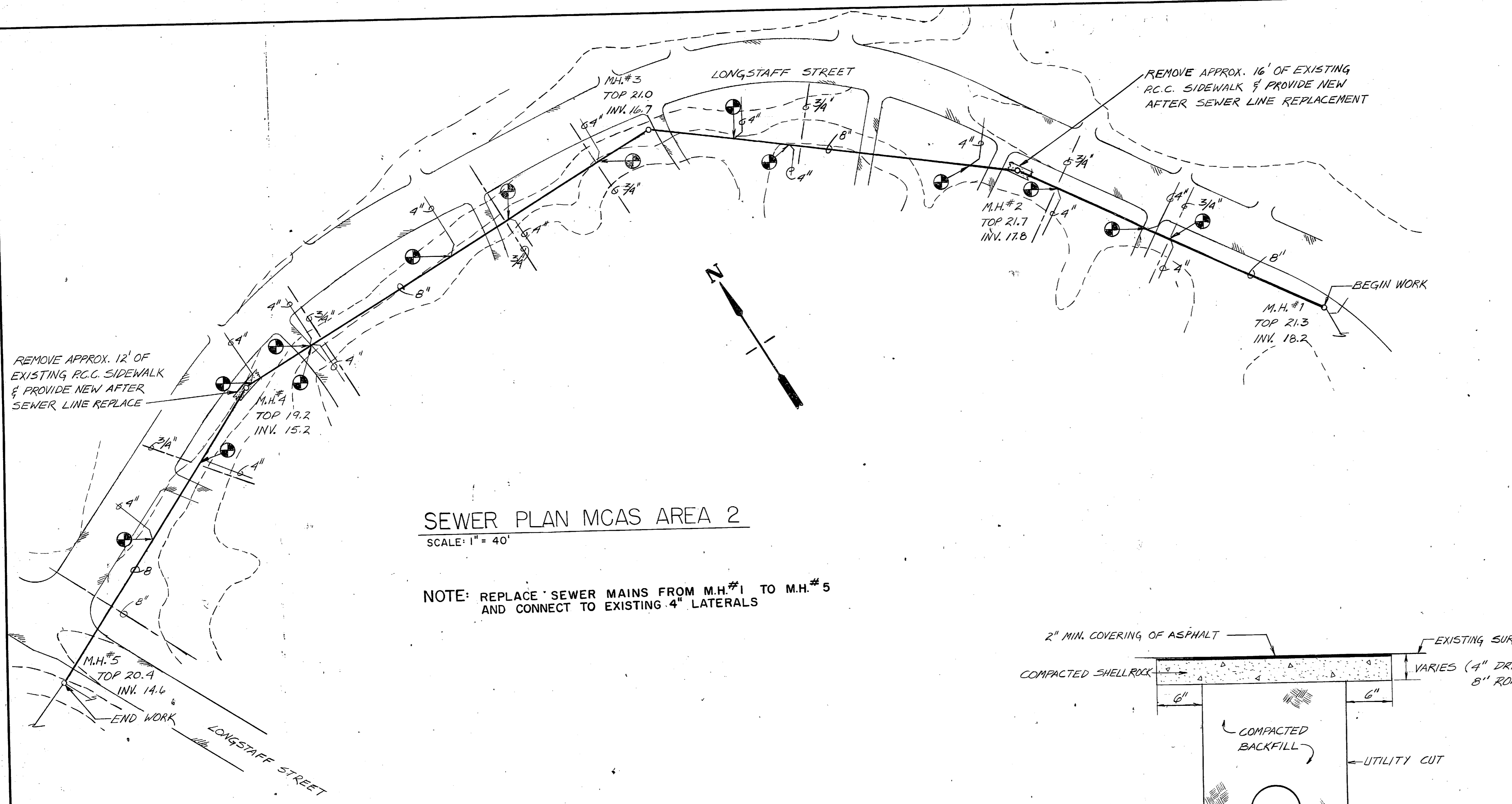


CS-1	
DEPARTMENT OF THE NAVY NAVAL FACILITIES ENGINEERING COMMAND	
MARINE CORPS BASE CAMP LEJEUNE, NORTH CAROLINA	
REPLACE WATER & SEWER MAINS AND PROVIDE BACKFLOW PREVENTORS	
LOCATION MAP AND VICINITY MAP	
DES. DIR. R. WISNIEWSKI	SIZE: CODE IDENT NO.
CHK. BY CHB	NAVFAC DRAWING NO.
SUBMITTED BY CHB	4133012
APPROVED: PWO OR OICG DATE	F 80091
CONSTR. CONTR. NO. N62470-85-B-6400	SHEET 1 OF 6
SATISFACTORY TO: DATE	SCALE: NOTED. SPEC 05-85-6400

U. S. GOVERNMENT PRINTING OFFICE: 1975-285

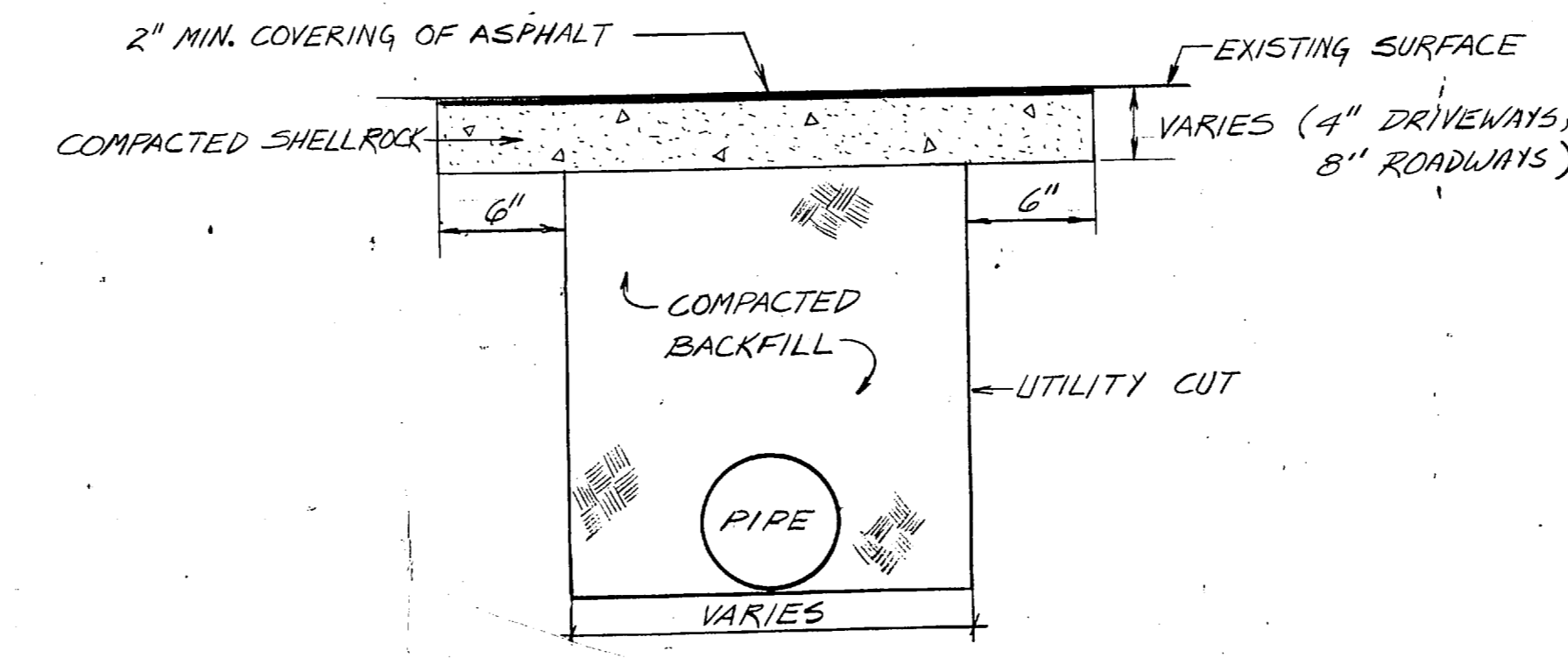


REVISIONS			
SYM.	DESCRIPTION	DATE	APPROVED



SEWER PLAN MCAS AREA 2
SCALE: 1" = 40'

NOTE: REPLACE SEWER MAINS FROM M.H.#1 TO M.H.#5 AND CONNECT TO EXISTING 4" LATERALS



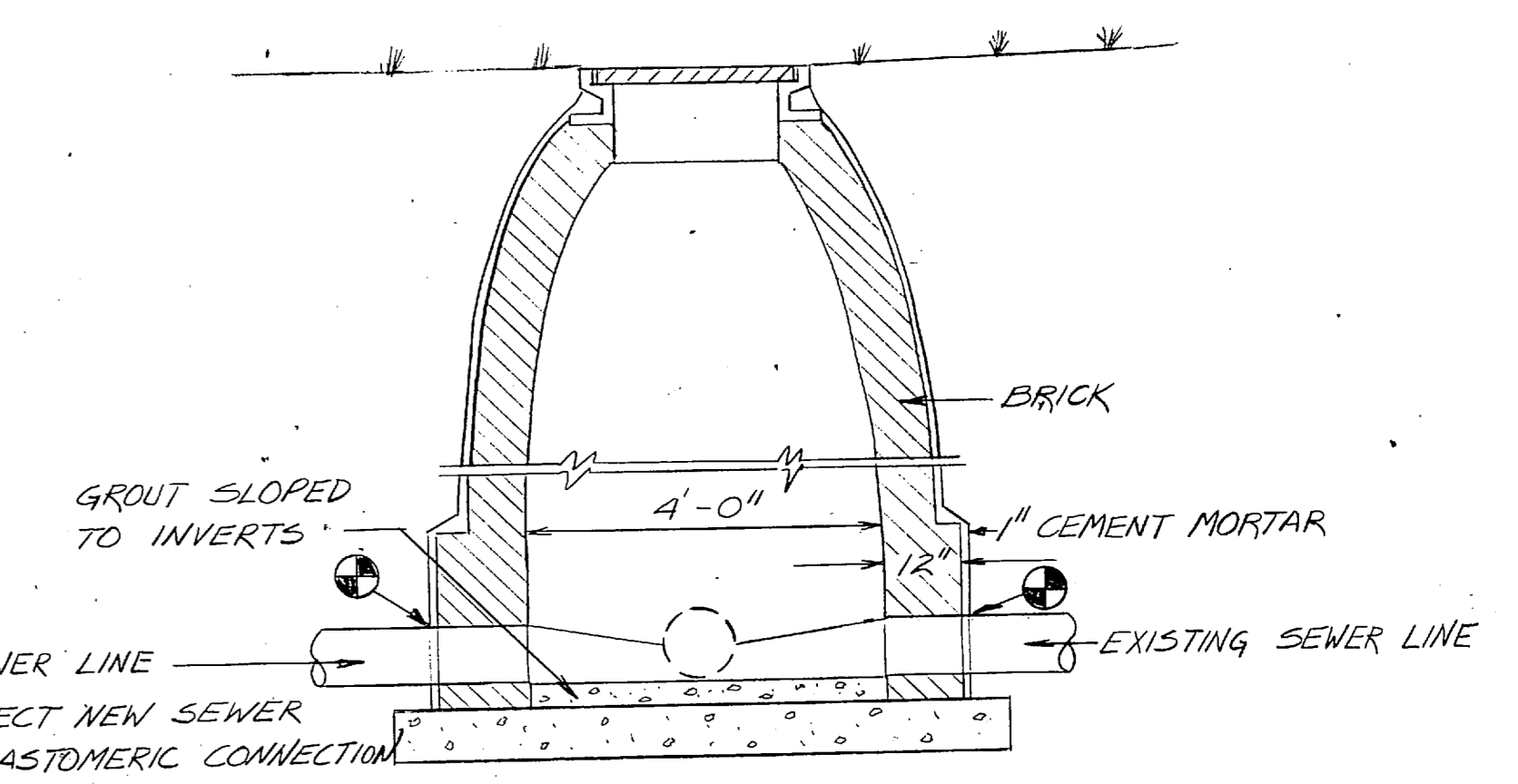
UTILITY CUT REPAIR DETAIL (TYPICAL)
NO SCALE

GENERAL NOTES

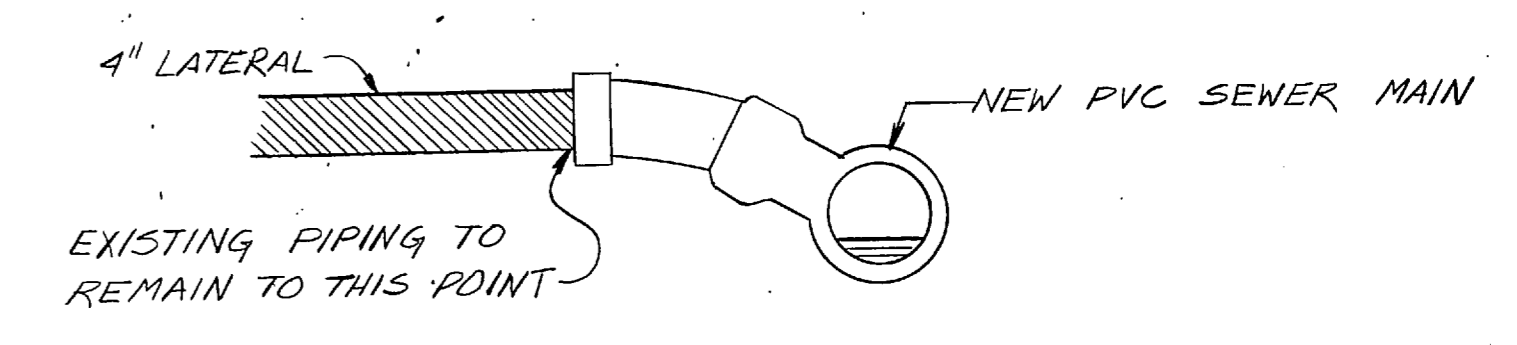
- EXISTING SEWER MAINS ARE TERRA COTTA UNLESS OTHERWISE NOTED.
- NEW SEWER MAINS SHALL BE PVC.
- ALL MANHOLE OPENINGS SHALL BE RESEALED.
- MANHOLE INVERTS SHALL BE REBUILT WHERE REQUIRED.
- ALL ROAD AND DRIVEWAY UTILITY CUT SHALL BE REPAIRED AS SHOWN ON DETAIL ON SHEET C-1.

LEGEND

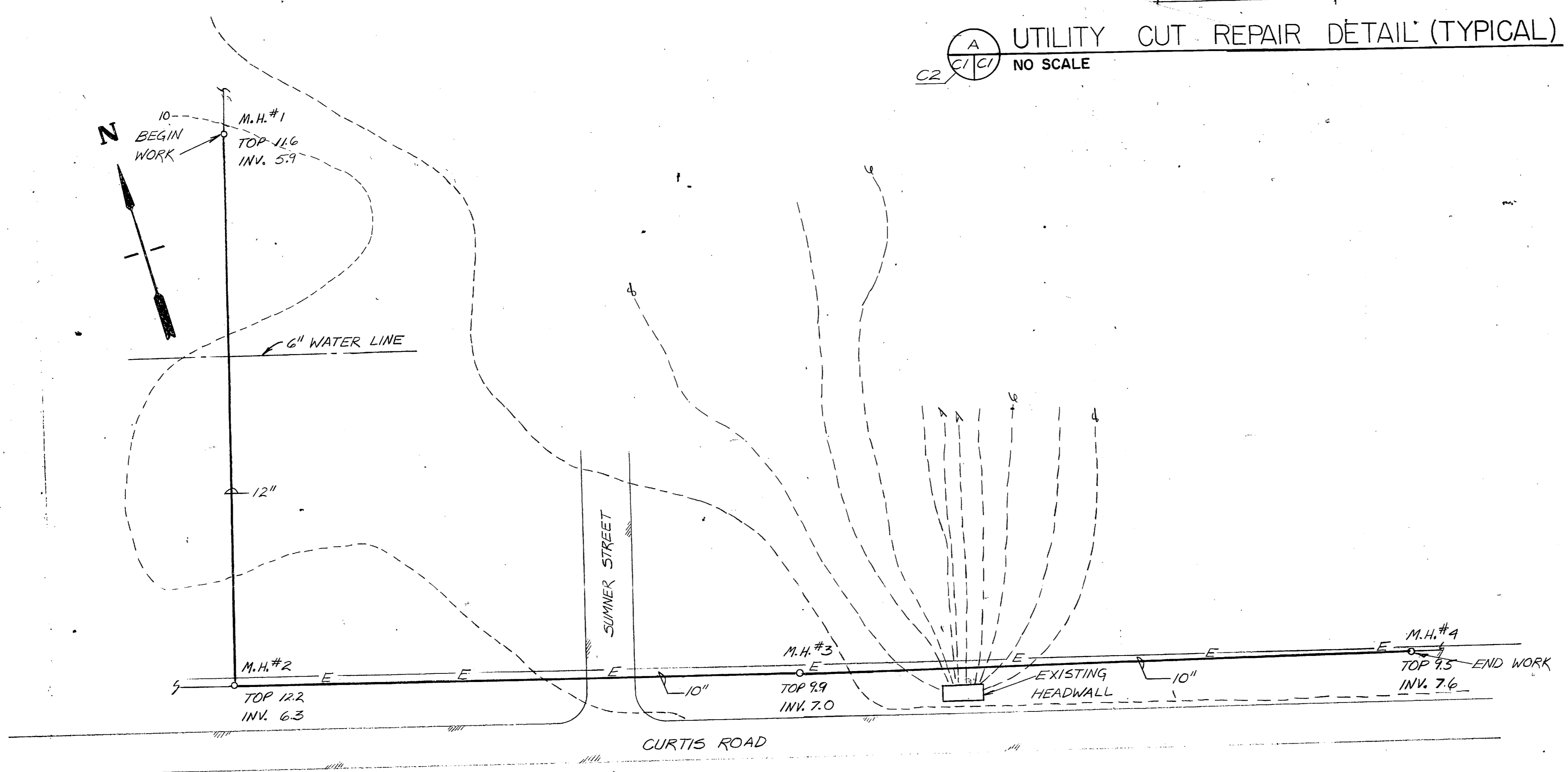
- SEWER LINE TO BE REPLACED
- EXISTING MANHOLE
- EXISTING CONTOUR
- CONNECT TO EXISTING
- ASPHALT ROAD OR DRIVEWAY
- SIDEWALK TO BE REPLACED
- EXISTING WATER LINE



EXISTING MANHOLE SECTION (TYPICAL)
NO SCALE

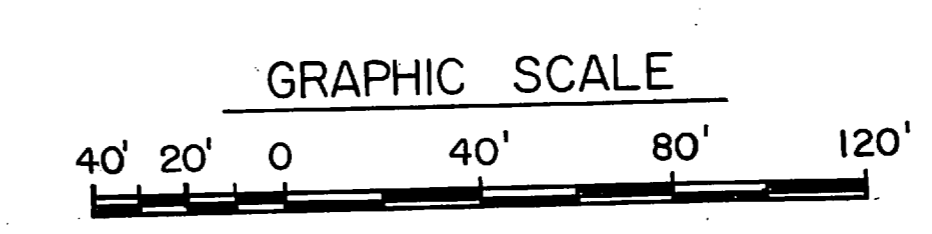


CONNECTION DETAIL OF SEWER LATERAL AND MAIN
NO SCALE

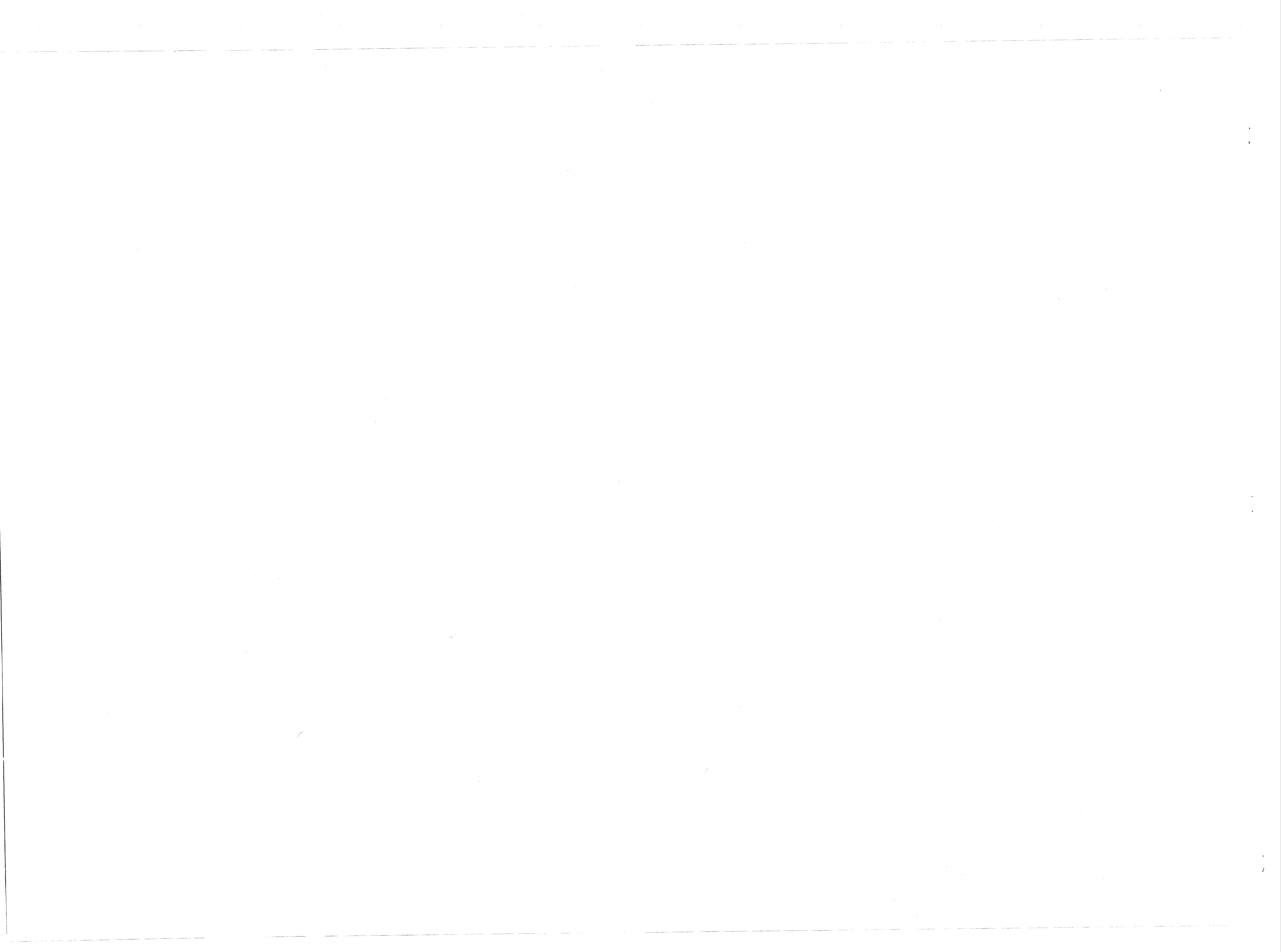


SEWER PLAN MCAS AREA 1
SCALE: 1" = 40'

NOTE: REPLACE SEWER MAINS FROM M.H.#1 TO M.H.#4

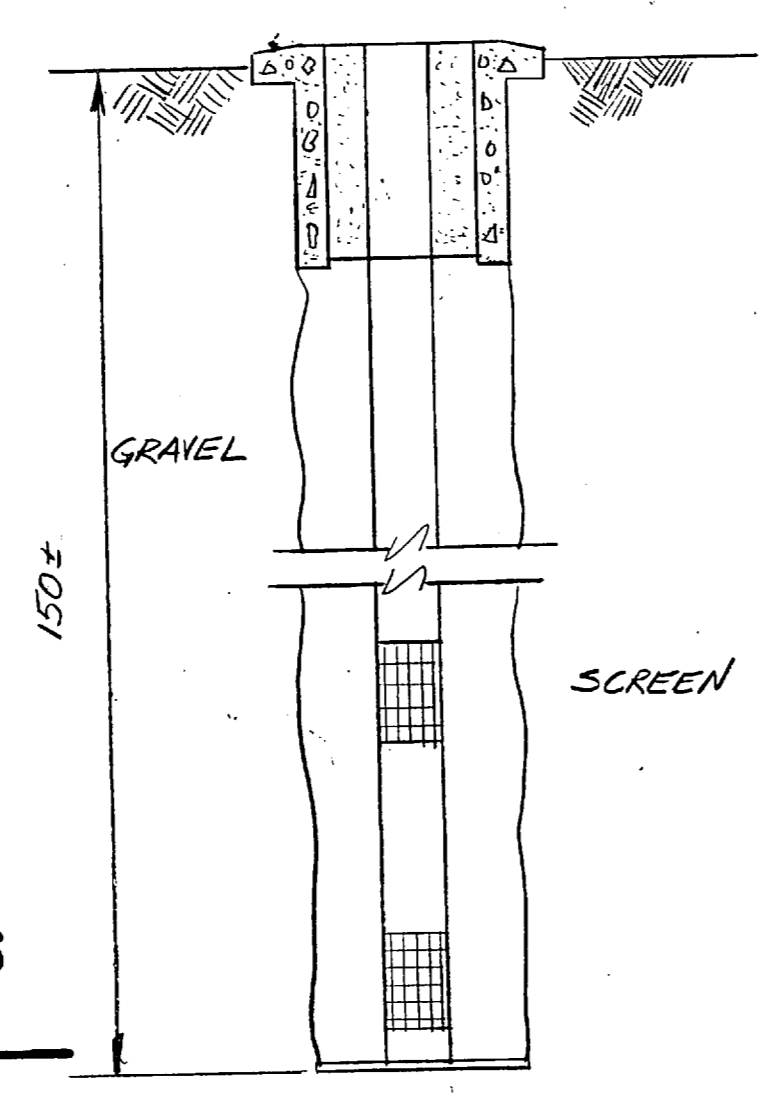


DES. C. BAKER		DR. C. BAKER		CHK. BA		SUBMITTED BY: CHB		DESIGN DIR. FEC		APPROVED: PWO OR DIC		DATE: 6-24-86		SIZE: F		CODE IDENT. NO.: 80091		NAVFAC DRAWING NO.: 4133013		CONSTR. CONTR. NO. N62470-85-B-6400	
SATSFACTORY TO:		DATE:		SCALE: GRAPHIC		SPEC. 05-85-6400		SHEET 2 OF 6		C-1		DEPARTMENT OF THE NAVY NAVAL FACILITIES ENGINEERING COMMAND MARINE CORPS BASE CAMP LEJEUNE, NORTH CAROLINA		REPLACE WATER & SEWER MAINS AND PROVIDE BACKFLOW PREVENTORS		SITE PLANS AND DETAILS		NAVFAC DRAWING NO. 4133013		CONSTR. CONTR. NO. N62470-85-B-6400	

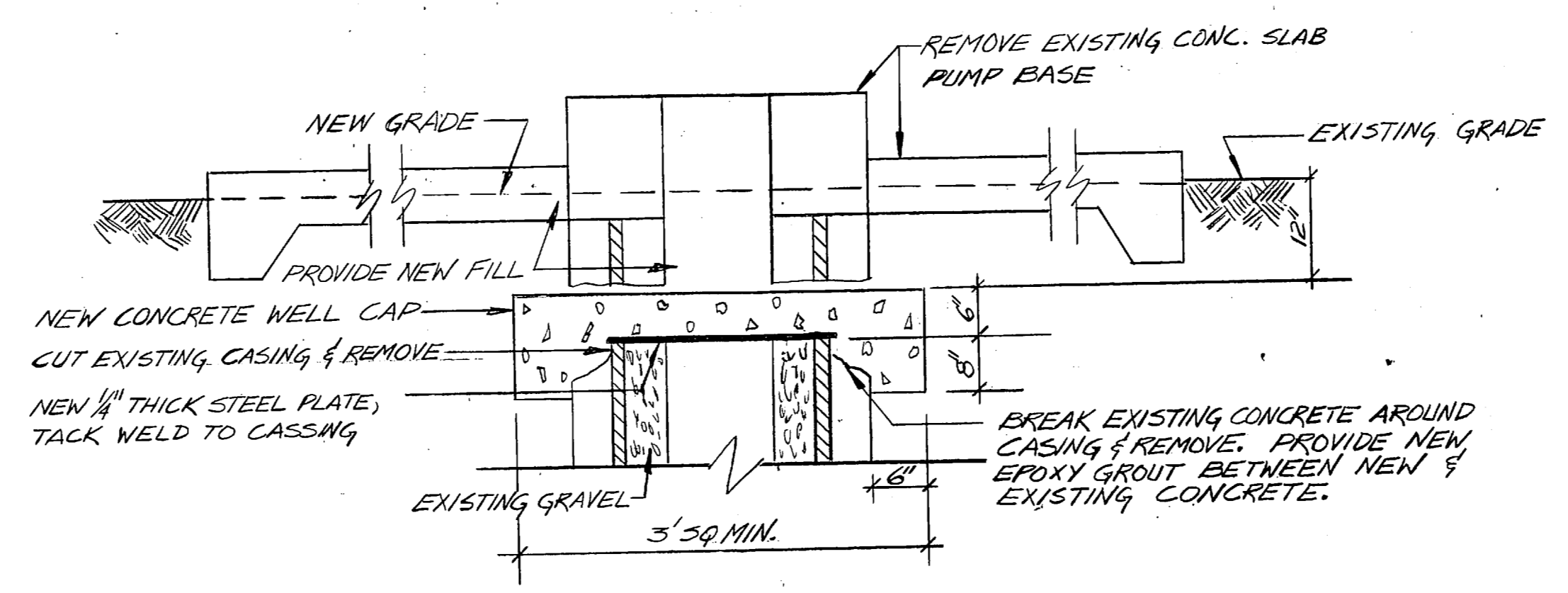


REVISIONS			
SYM.	DESCRIPTION	DATE	APPROVED

WELL ABANDONMENT PROCEDURE
 WELL SHALL BE ABANDONED IN AN APPROVED MANNER IN ACCORDANCE WITH NC STATE REQUIREMENTS SUCH AS WASHING A LINE TO THE BOTTOM OF THE GRAVEL AND INJECTING CONCRETE AND PUMPING THE CONCRETE IN FROM THE BOTTOM UP INTO THE GRAVEL UNTIL A RETURN IS OBTAINED AT THE TOP OF THE WELL THRU THE GRAVEL AND CAPPED IN ACCORDANCE WITH THE CAPPING DETAIL SHOWN ON THIS SHEET.



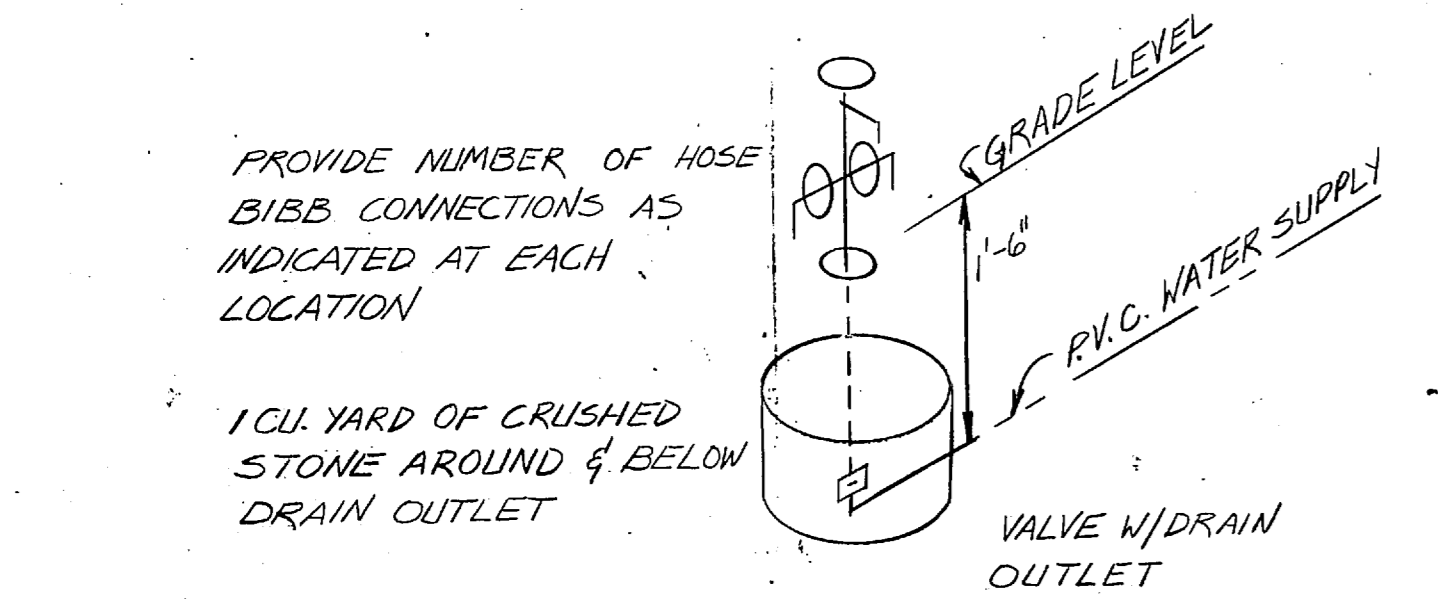
EXISTING WELL
 NTS



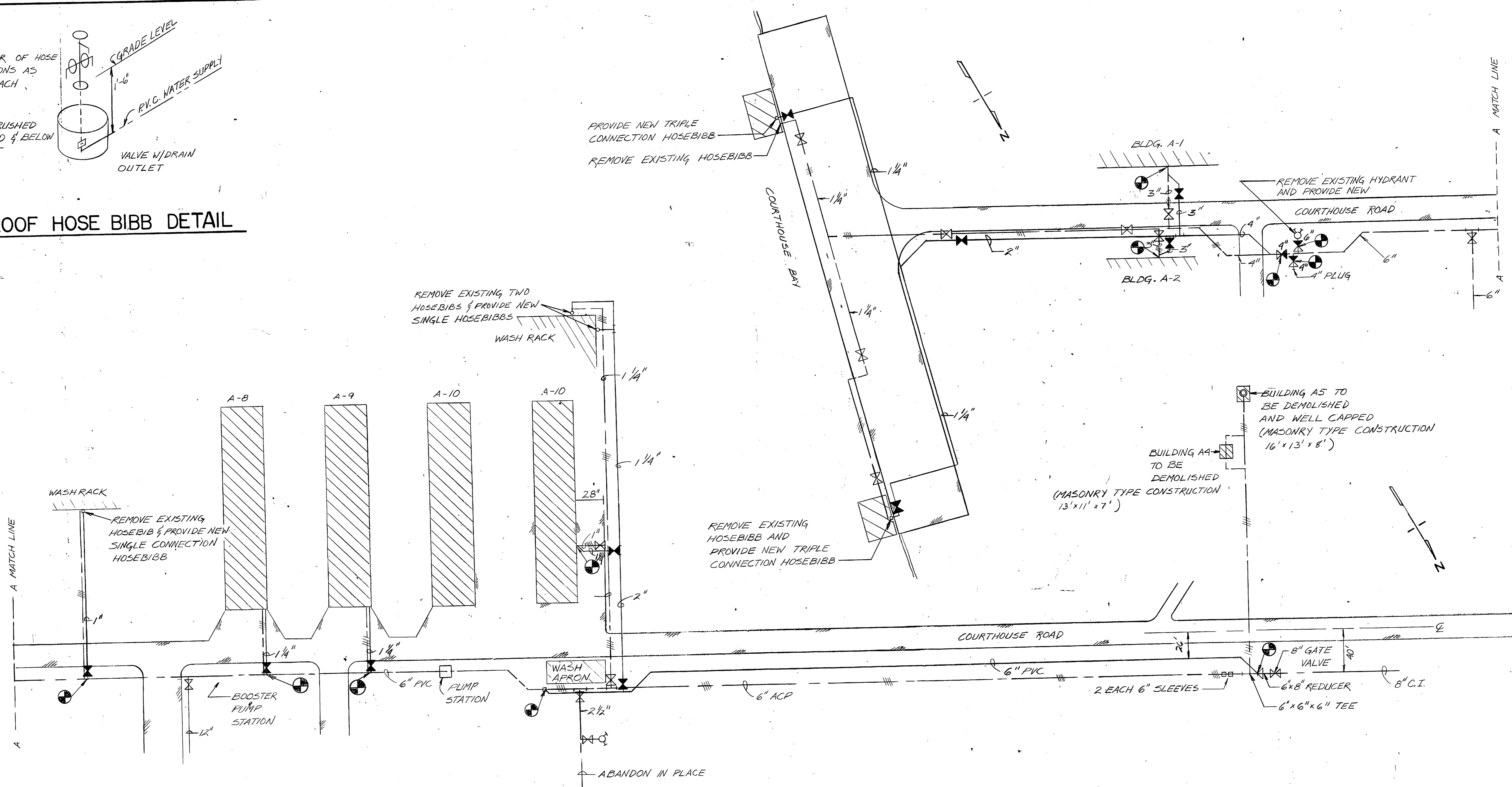
WELL CAP DETAIL
 NTS

LEGEND

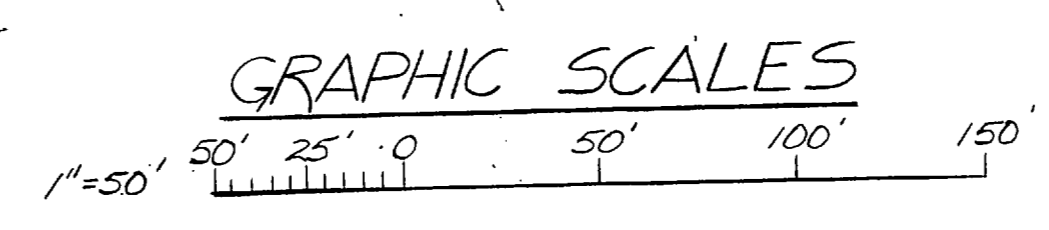
	EXISTING WATER LINE
	NEW WATER LINE
	EXISTING VALVE
	NEW VALVE
	EXISTING VALVE TO BE REPLACED
	EXISTING ASPHALT PAVEMENT
	EXISTING STRUCTURE
	EXISTING FIRE HYDRANT
	CONNECT TO EXISTING
	EXISTING WATER LINE TO BE ABANDONED



FROST PROOF HOSE BIBB DETAIL
 NO SCALE



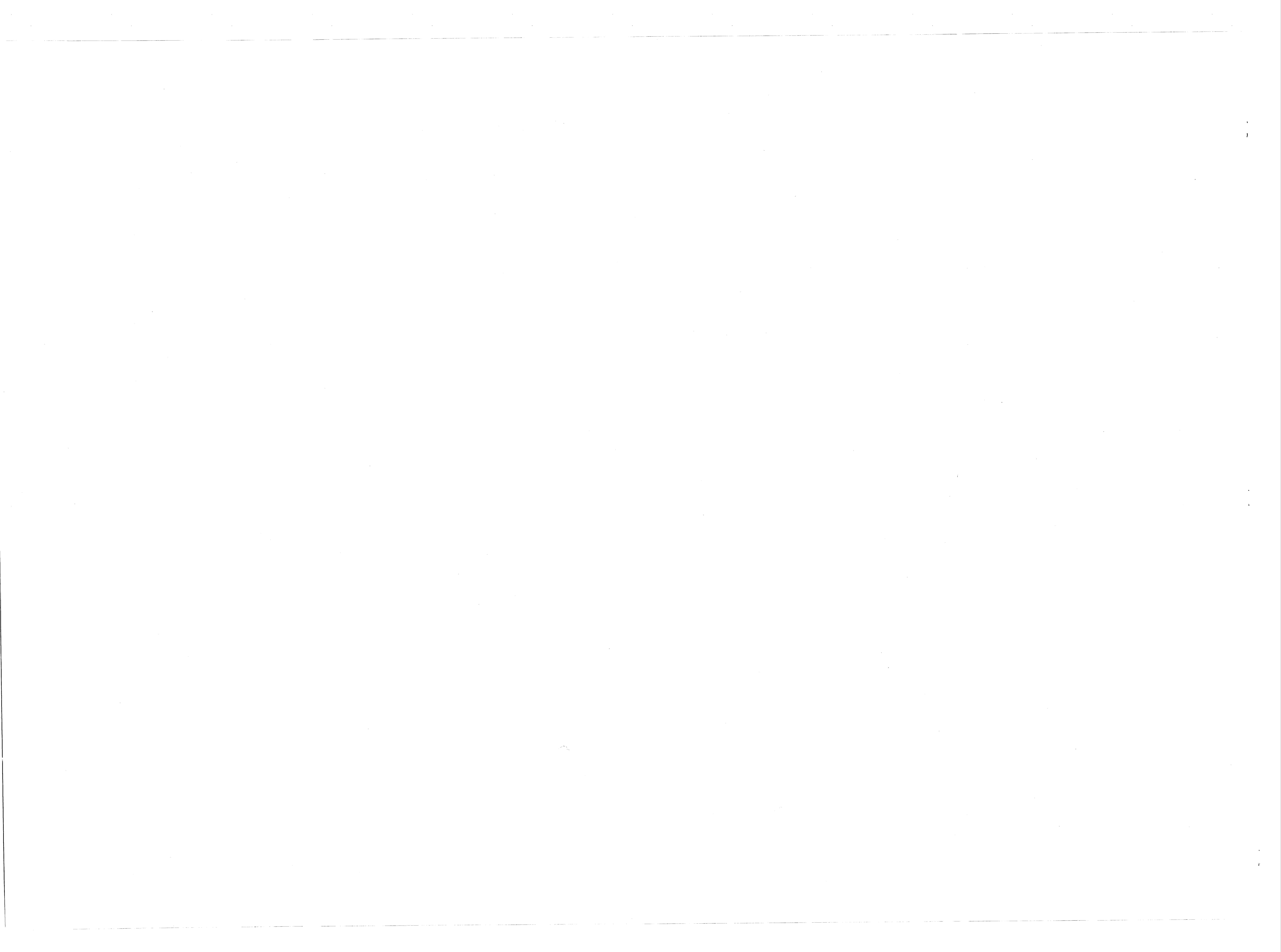
NOTE: WATER MAINS SHALL BE A MIN. OF 48" DEEP.



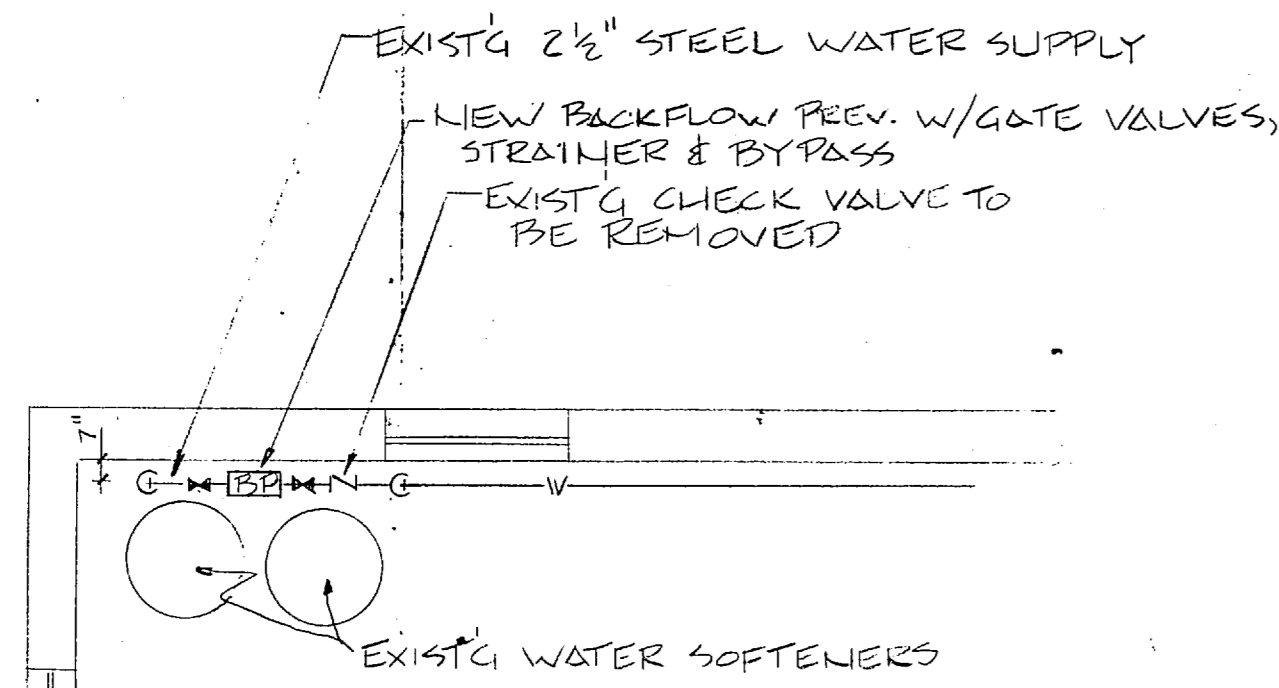
WATER DISTRIBUTION PLAN AMPHIBIAN TROOPS AREA
 SCALE: 1" = 50'

DES. C. BAKER DR. C. BAKER CHK. BA SUBMITTED BY: CHB DESIGN DIR. FEC		DEPARTMENT OF THE NAVY NAVAL FACILITIES ENGINEERING COMMAND	
		MARINE CORPS BASE CAMP LEJUNE, NORTH CAROLINA	
APPROVED: PWO OR OICC DATE: 6-24-86		SIZE: F	NAVAFAC DRAWING NO. 4133014
SATISFACTORY TO:		CODE IDENT. NO. 80091	CONSTR. CONTR. NO. N62470-85-B-6400
		SCALE: GRAPHIC	SPEC. 05-85-6400 SHEET 3 OF 6

C-2

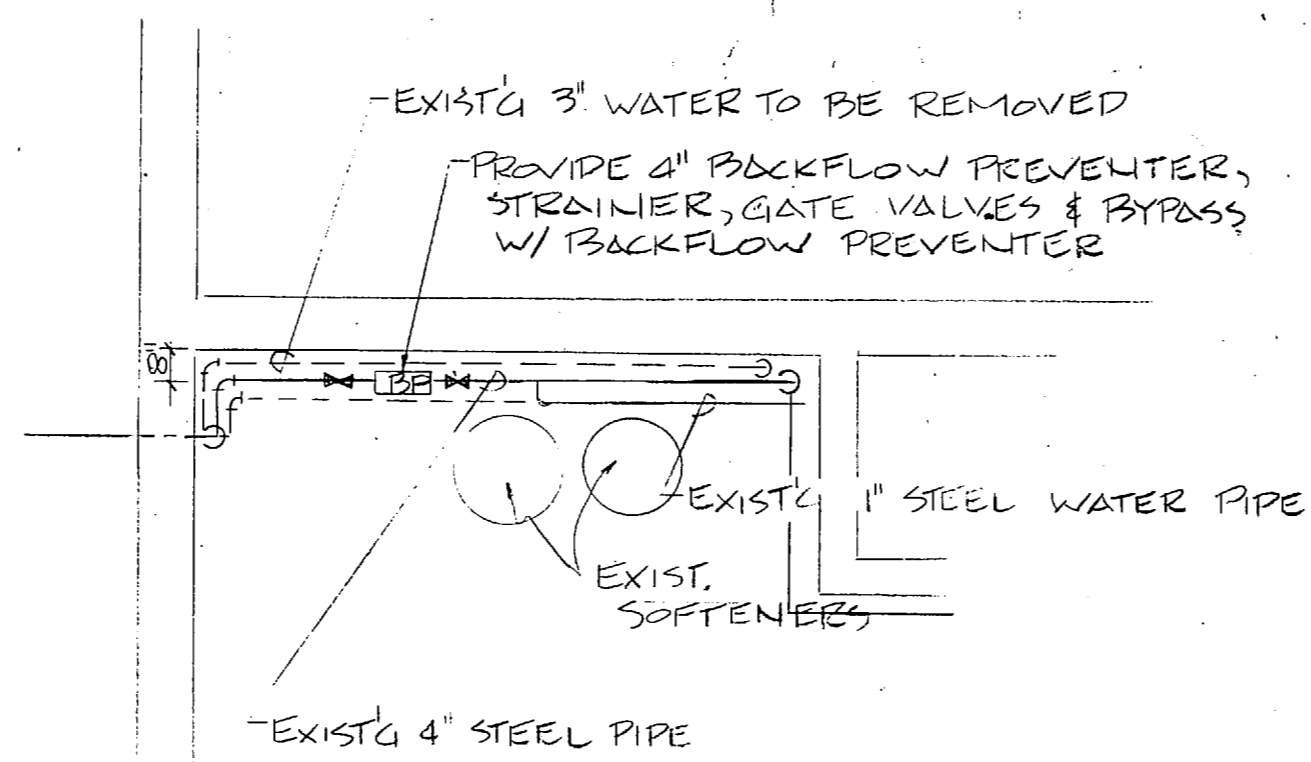


REVISIONS			
SYM.	DESCRIPTION	DATE	APPROVED

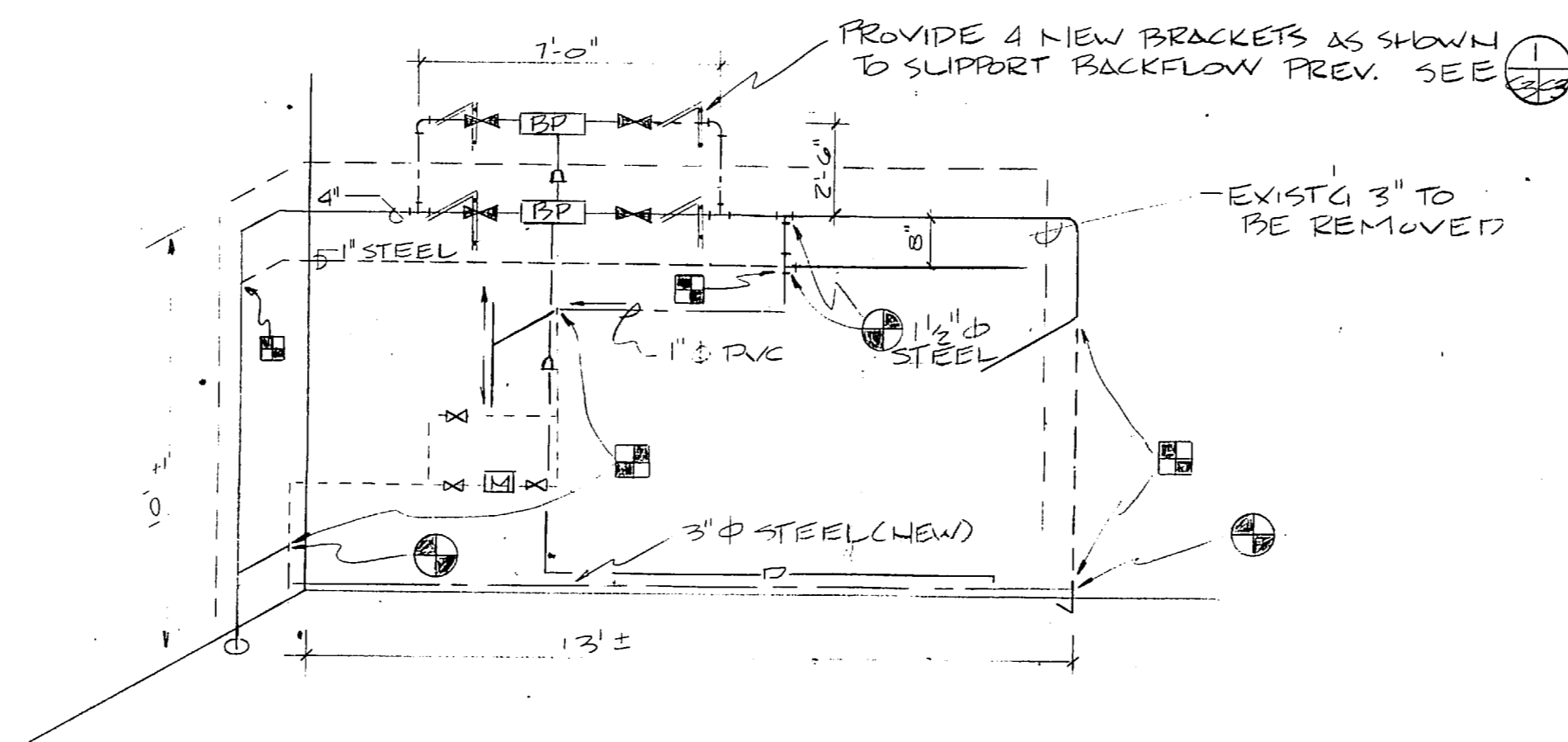


PLAN, BLDG M1-230

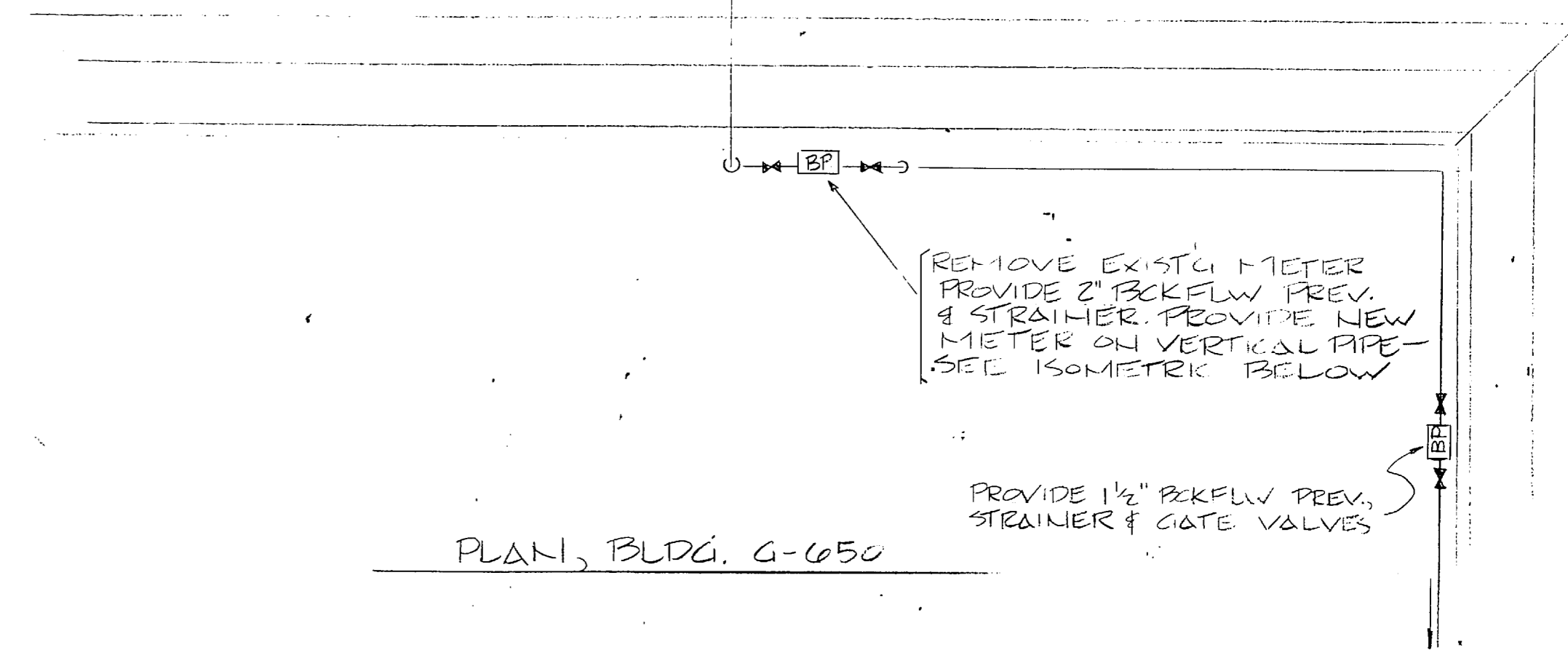
NOTE: PROVIDE 3/4" BACKFLOW PREVENTER ON 3/4" STEEL WASHROOM SUPPLY PIPE



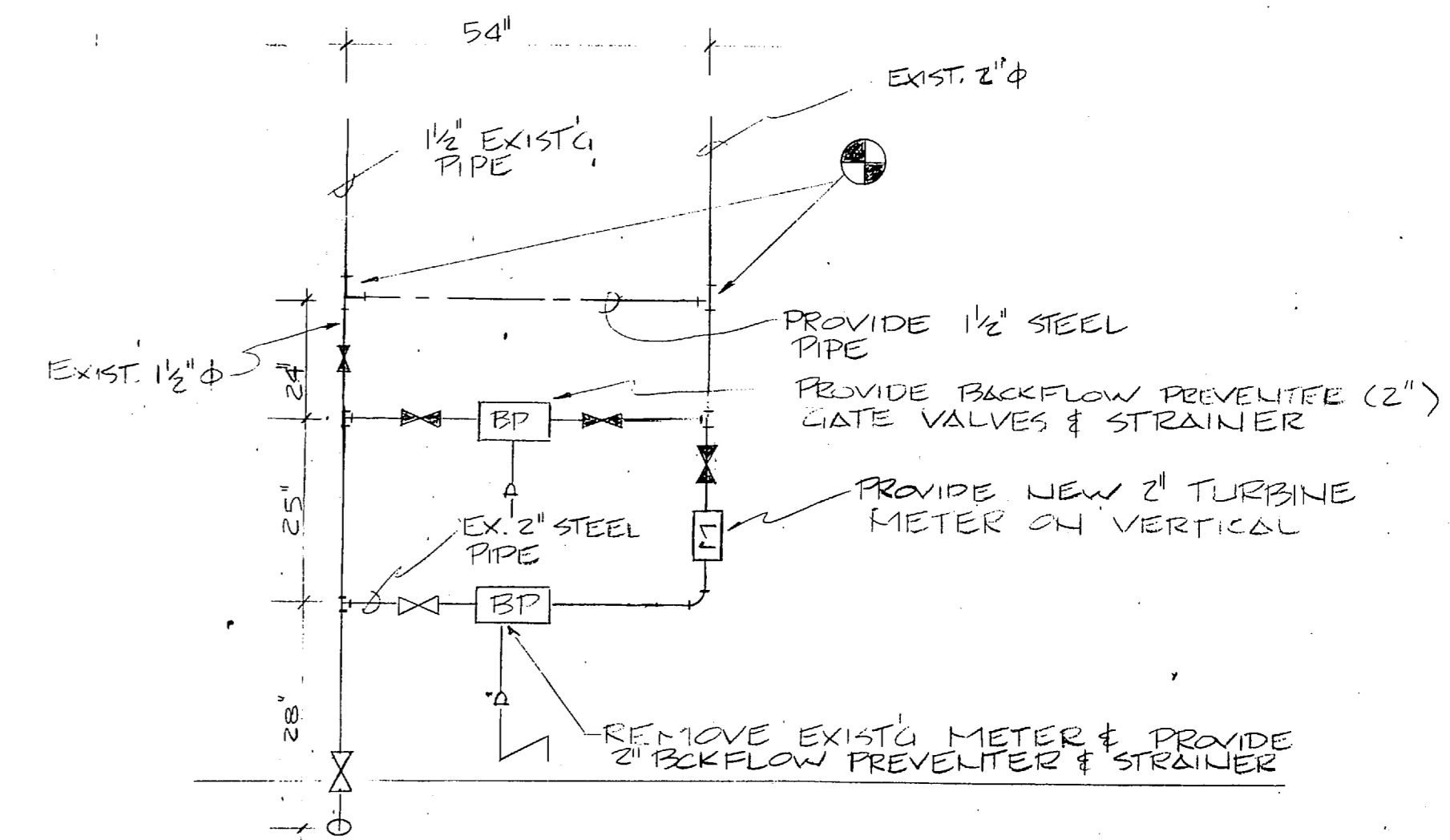
PLAN, BLDG 2G15



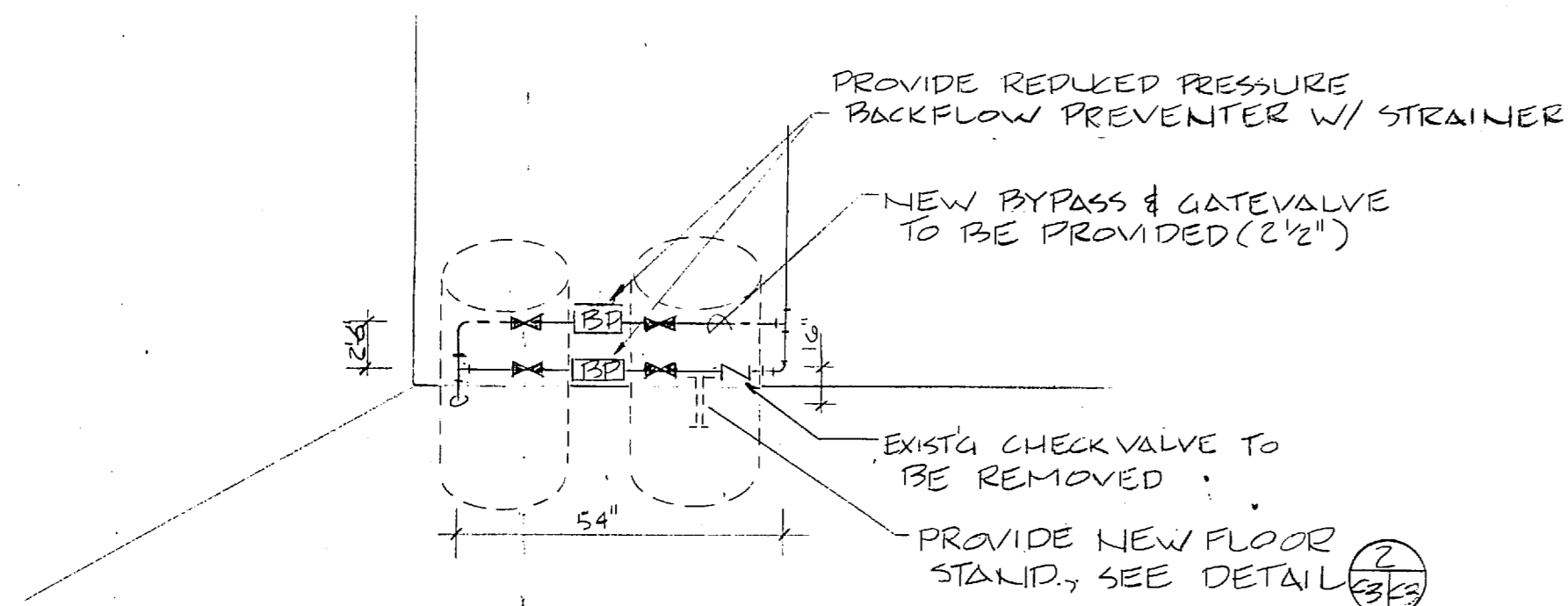
ISOMETRIC, BLDG 2G15
NTS



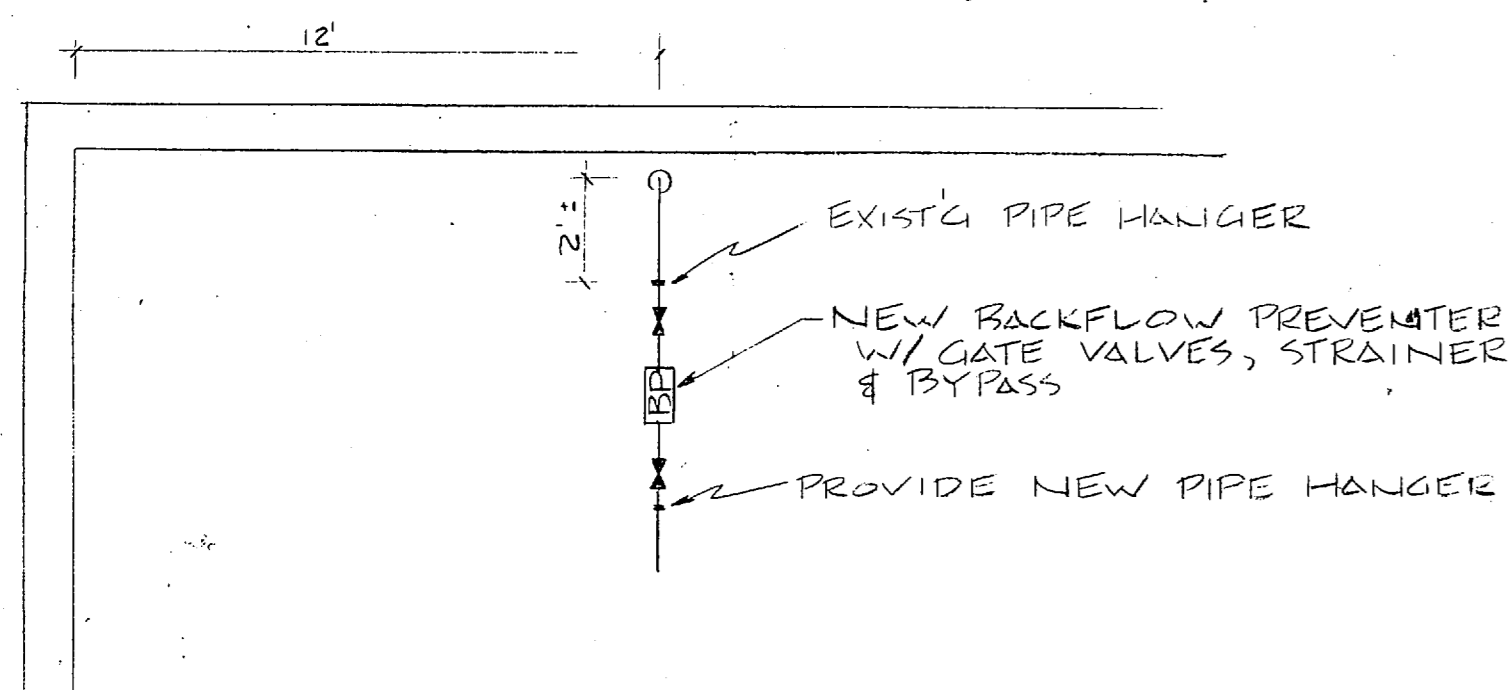
PLAN, BLDG G-650



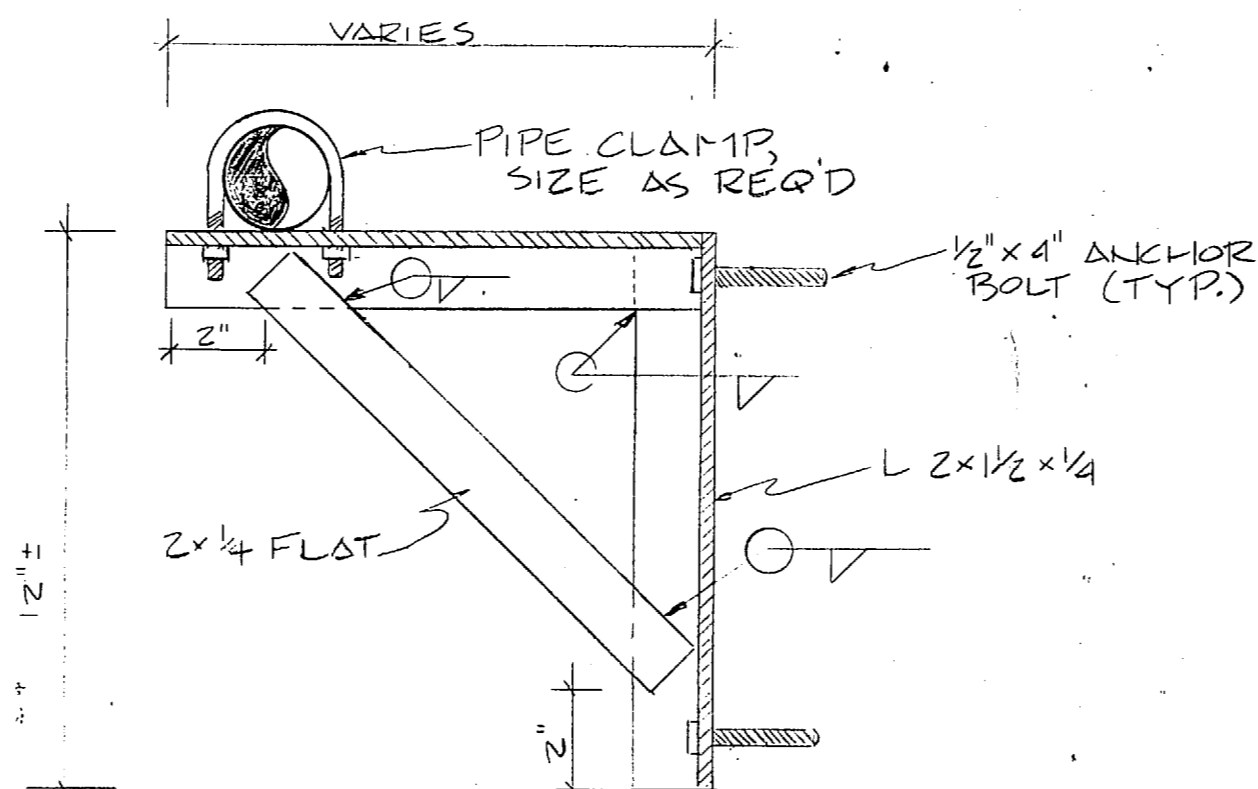
ISOMETRIC, BLDG G-650
NTS



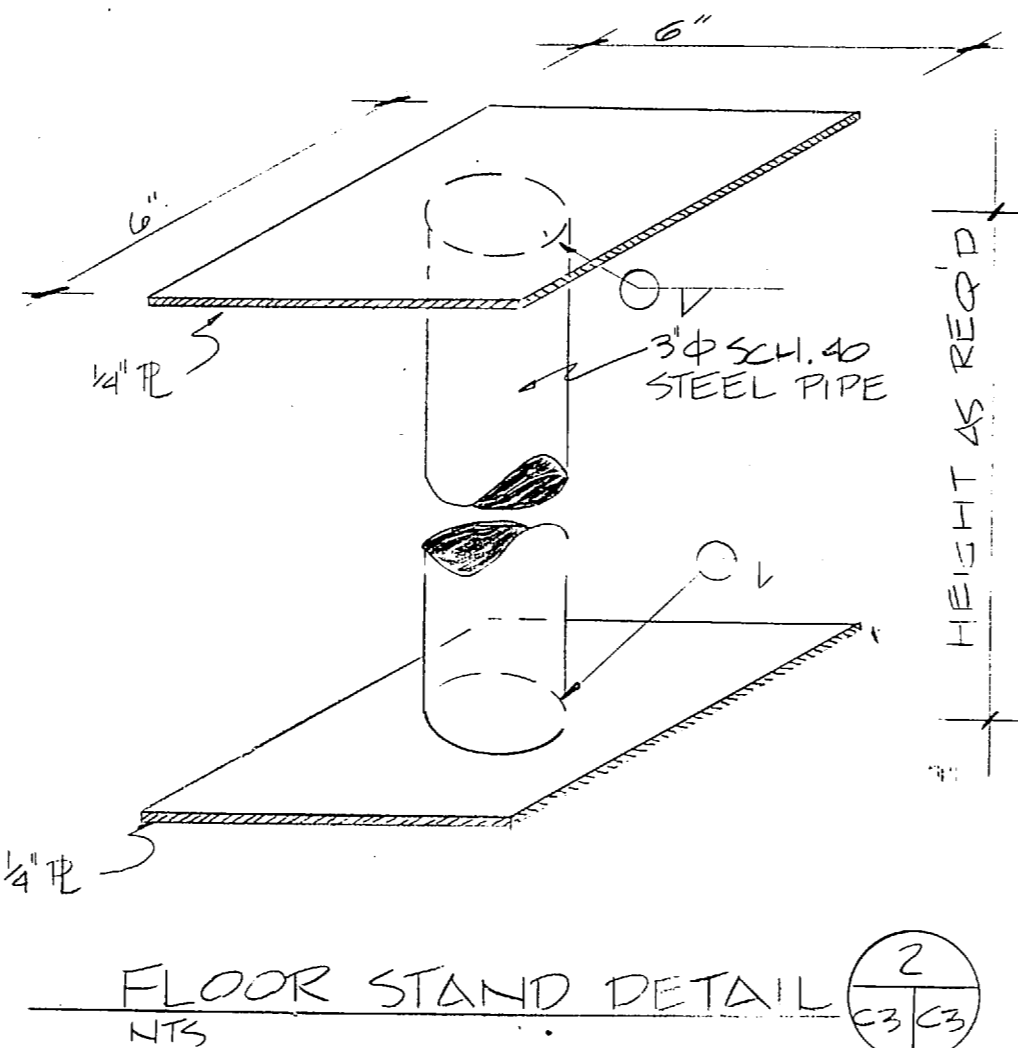
ISOMETRIC, BLDG M1-230
NTS



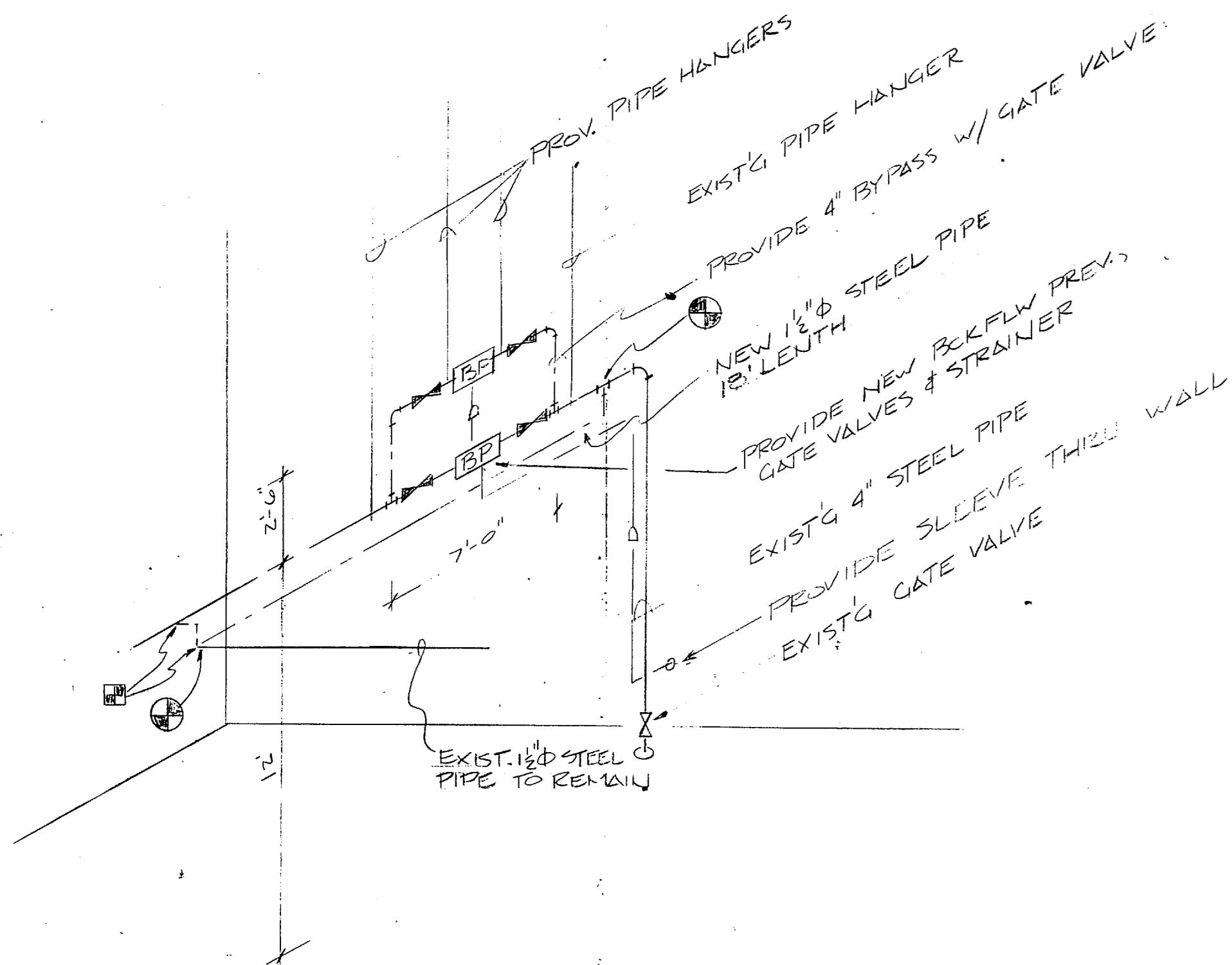
PLAN, BLDG AS-4151



BRACKET DETAIL
NTS



FLOOR STAND DETAIL
NTS



ISOMETRIC BLDG AS-4151

GENERAL NOTES

1. ALL BACKFLOW PREVENTERS TO BE OF THE REDUCED PRESSURE PRINCIPAL TYPE W/ STRAINER, WASTE, DRAIN & GATE VALVES.
2. FIELD VERIFY ALL EXIST'G PIPE SIZES.
3. ALL WORK TO BE COMPLETED IN THE SUMMER MONTHS DURING THE SEASON OF OFF-PEAK USAGE.
4. WASTE, DRAIN PIPING TO BE PVC, ALL OTHER PIPING TO MATCH EXIST'G.
5. ALL METERS & VALVES TO REMAIN THE PROPERTY OF THE GOVT.

LEGEND

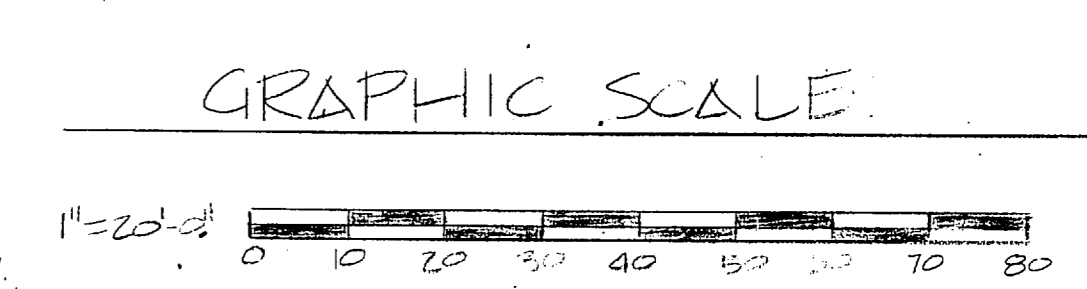
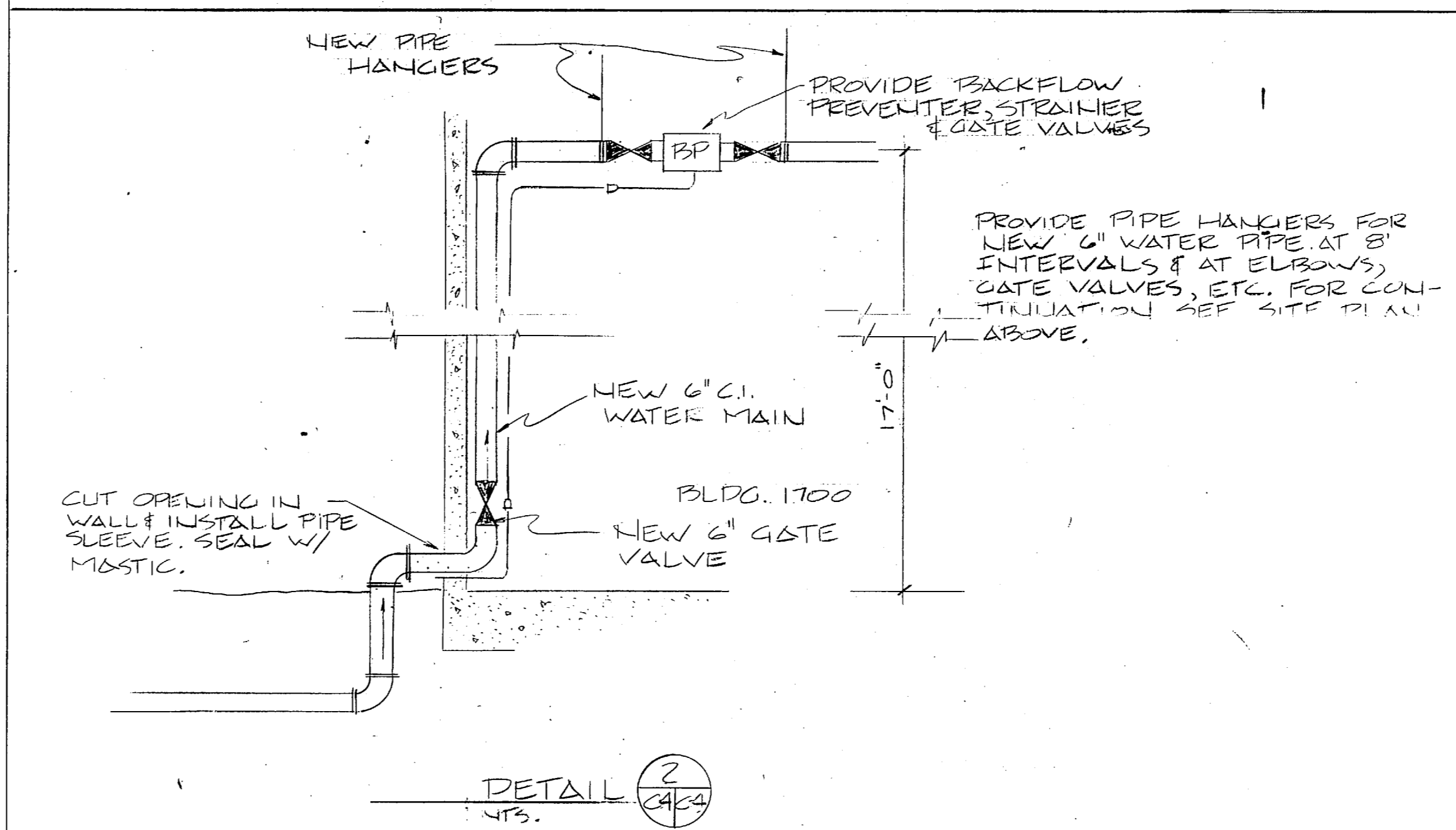
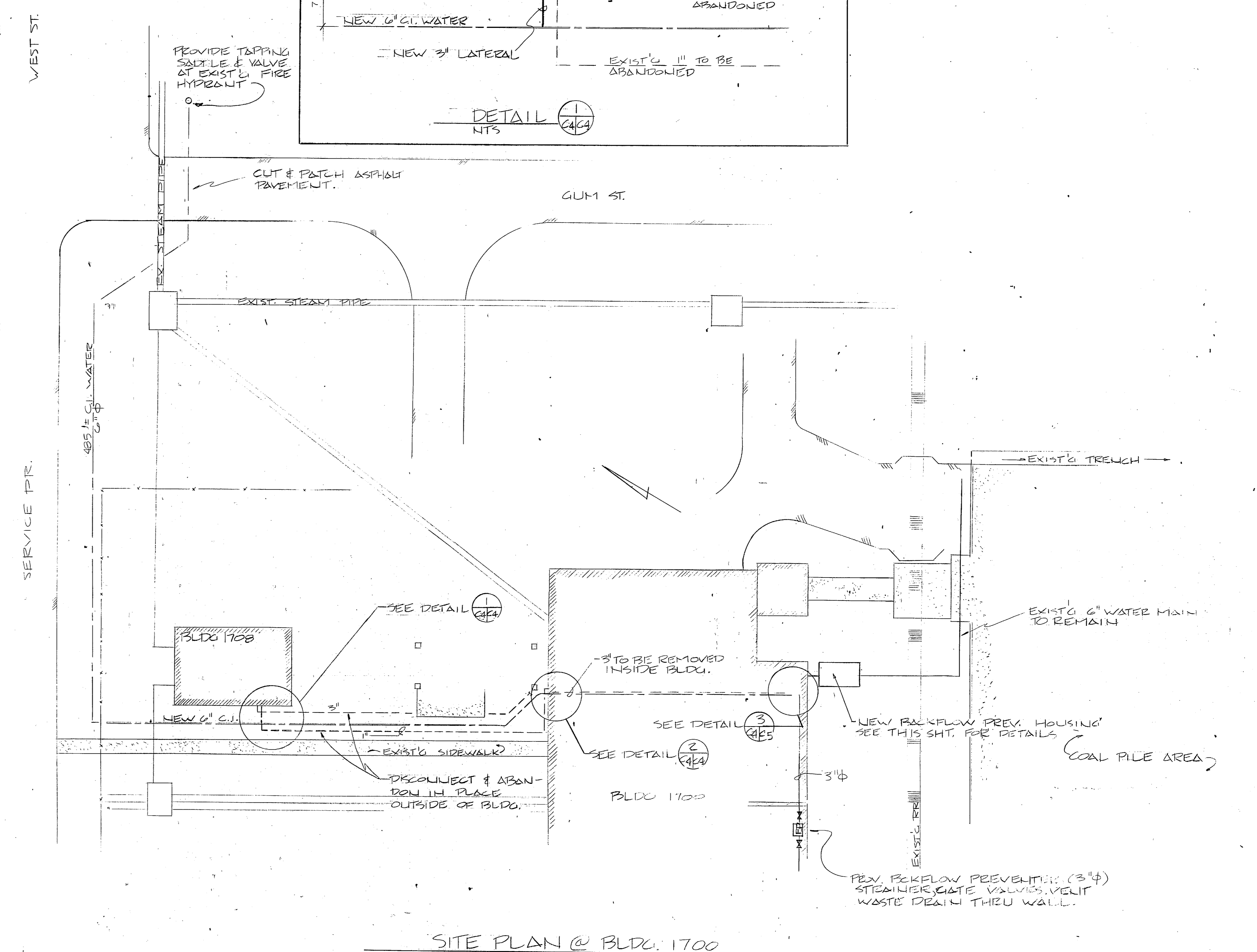
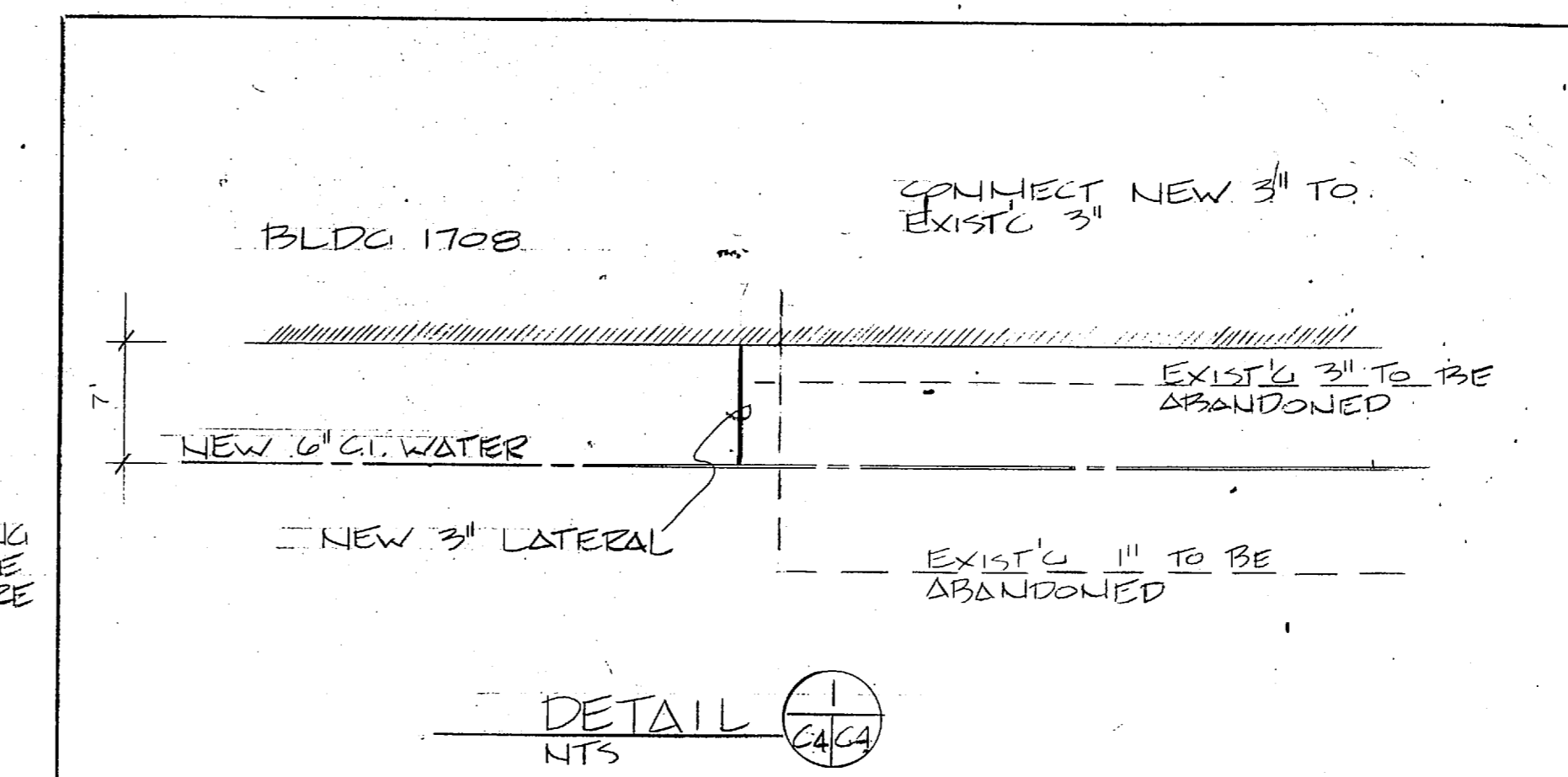
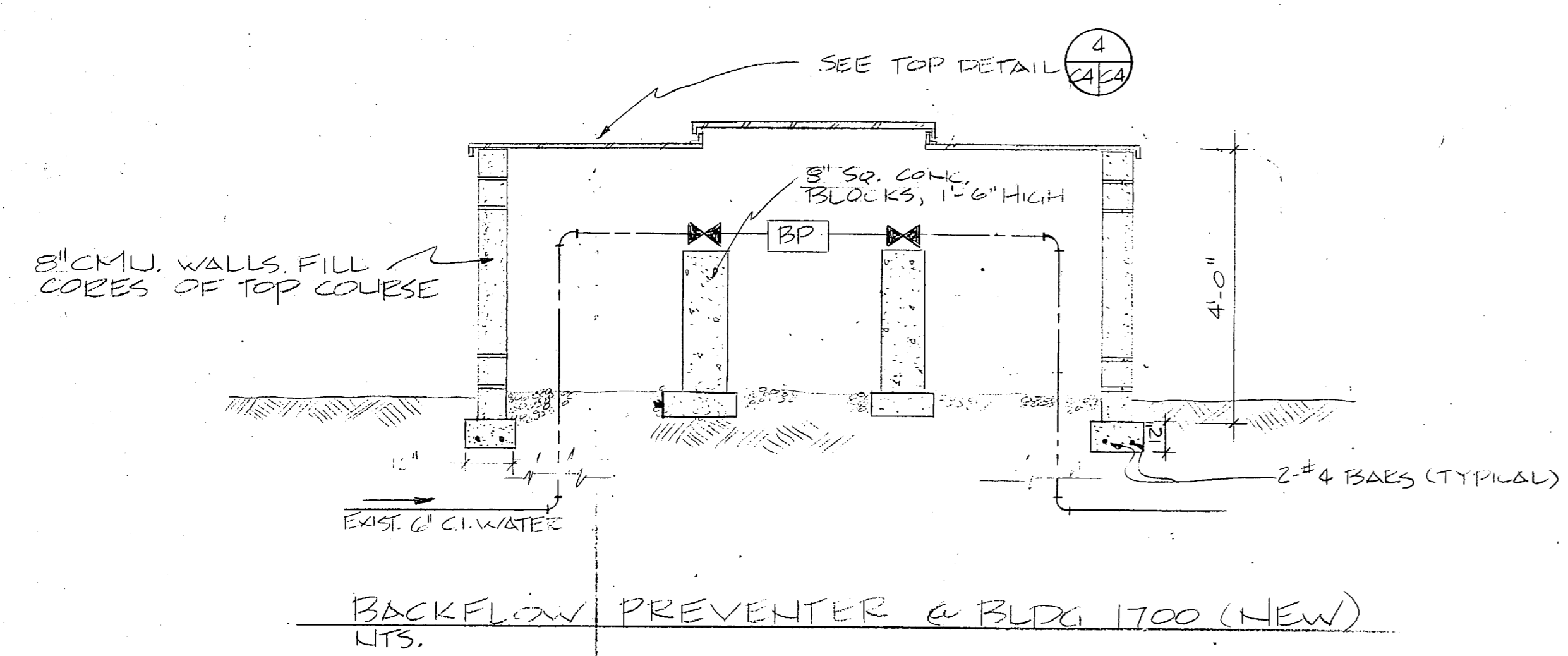
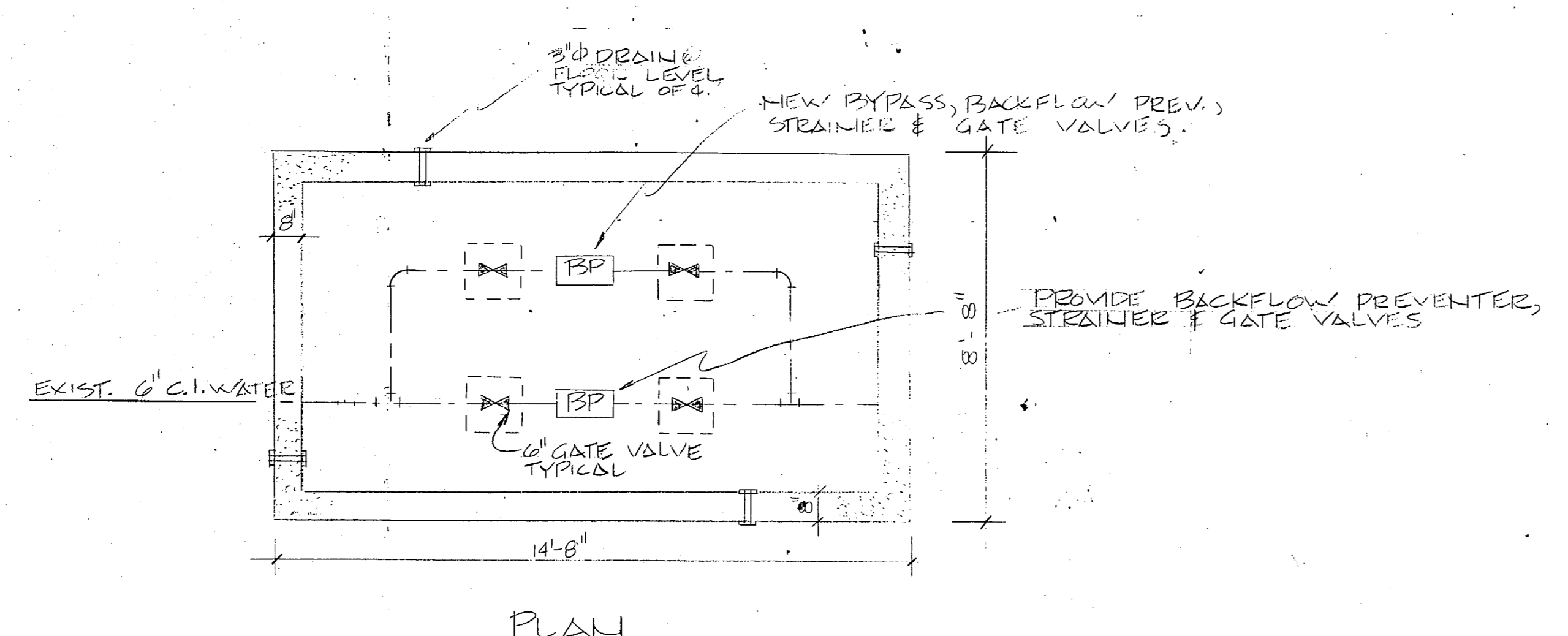
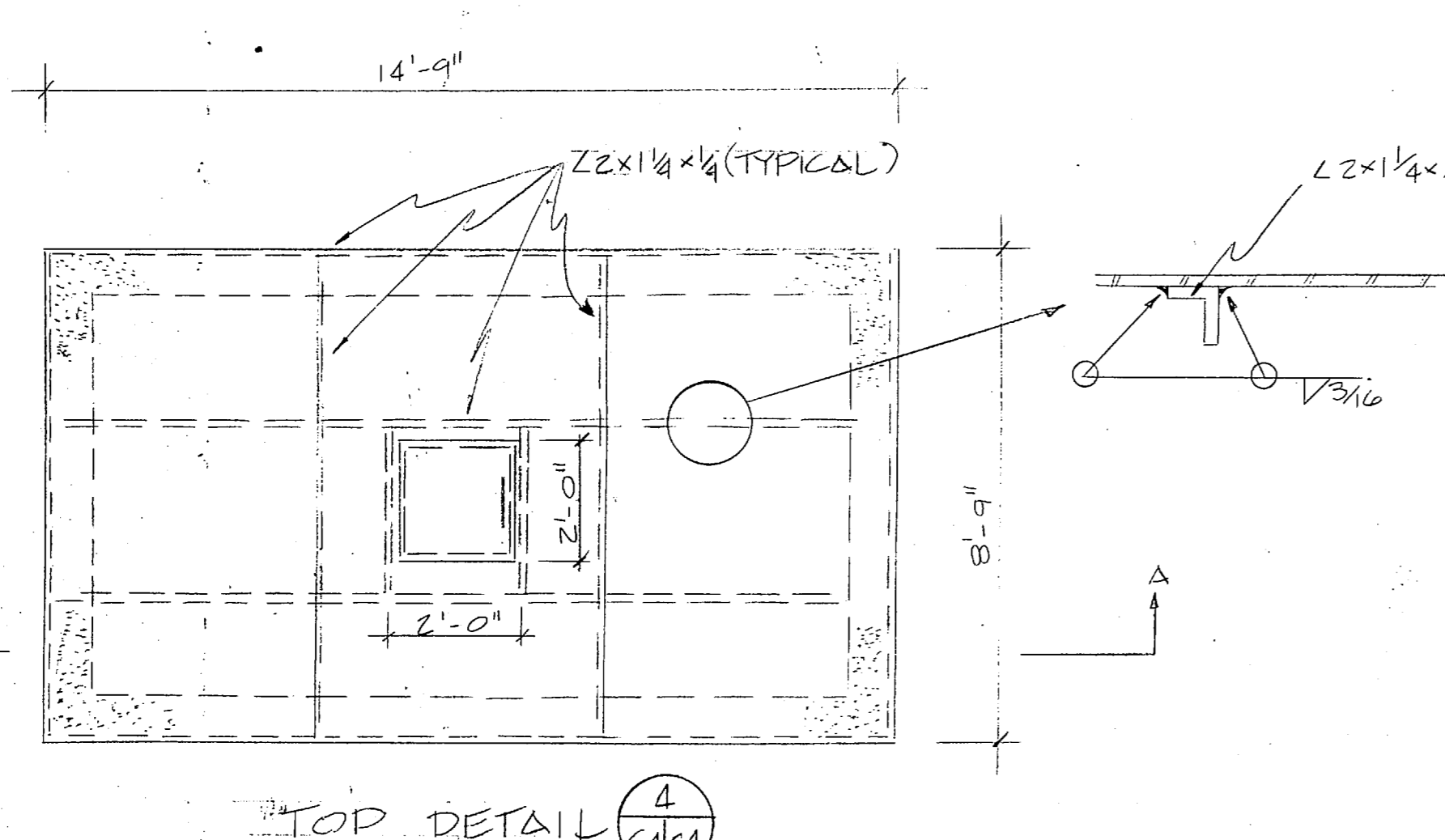
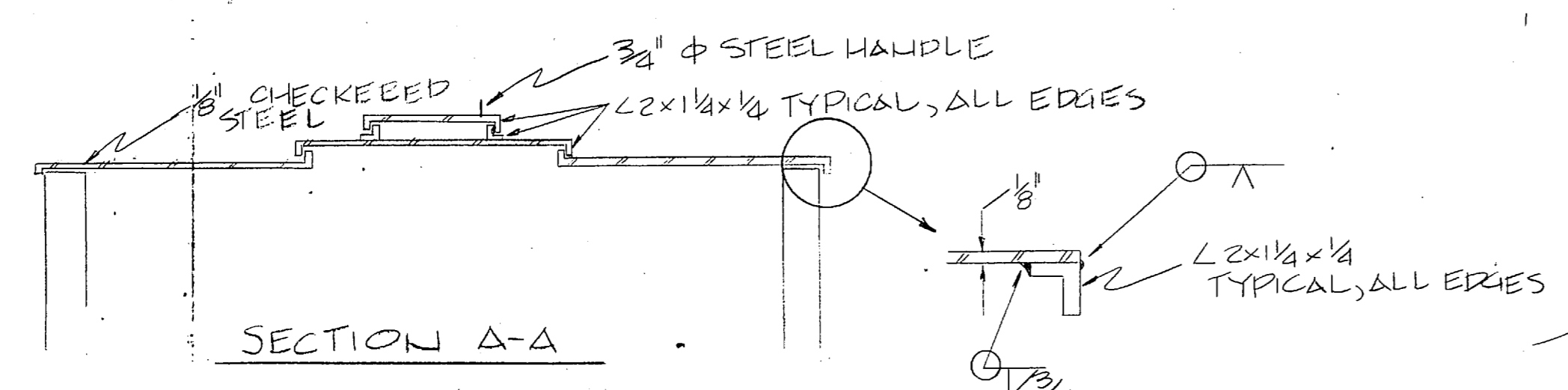
- EXIST'G PIPE TO REMAIN, SIZE AS NOTED
- - - EXIST'G PIPE TO BE REMOVED
- NEW PIPE
- ∇ NEW GATE VALVE
- ∇ EXIST'G GATE VALVE
- BP NEW REDUCED PRESSURE PRINCIPLE BACKFLOW PREVENTER W/ STRAINER
- M NEW OR EXIST'G WATER METER (AS NOTED)
- CV EXIST'G CHECK VALVE
- PC PT. OF CONNECTION TO EXIST'G
- REMOVE PIPE BETWEEN FLAGS
- NEW 3" PVC DRAIN LINE

C-3

DES. B. ASHTON		DEPARTMENT OF THE NAVY NAVAL FACILITIES ENGINEERING COMMAND	
DR. B. ASHTON		MARINE CORPS BASE	
CHK. CB		CAMP LEJEUNE, NORTH CAROLINA	
SUBMITTED BY: CHB		REPLACE WATER & SEWER MAINS AND PROVIDE BACKFLOW PREVENTORS	
DESIGN DIR. FEC		PLANS AND DETAILS	
APPROVED: PWD OR DICC	DATE	SIZE	CODE IDENT. NO.
	6-24-86	F	80091 4133038
SATISFACTORY TO:	DATE	CONSTR. CONTR. NO. N62470-85-B-6400	
		SCALE: GRAPHIC SPEC. 05-85-6400 SHEET 4 OF 6	



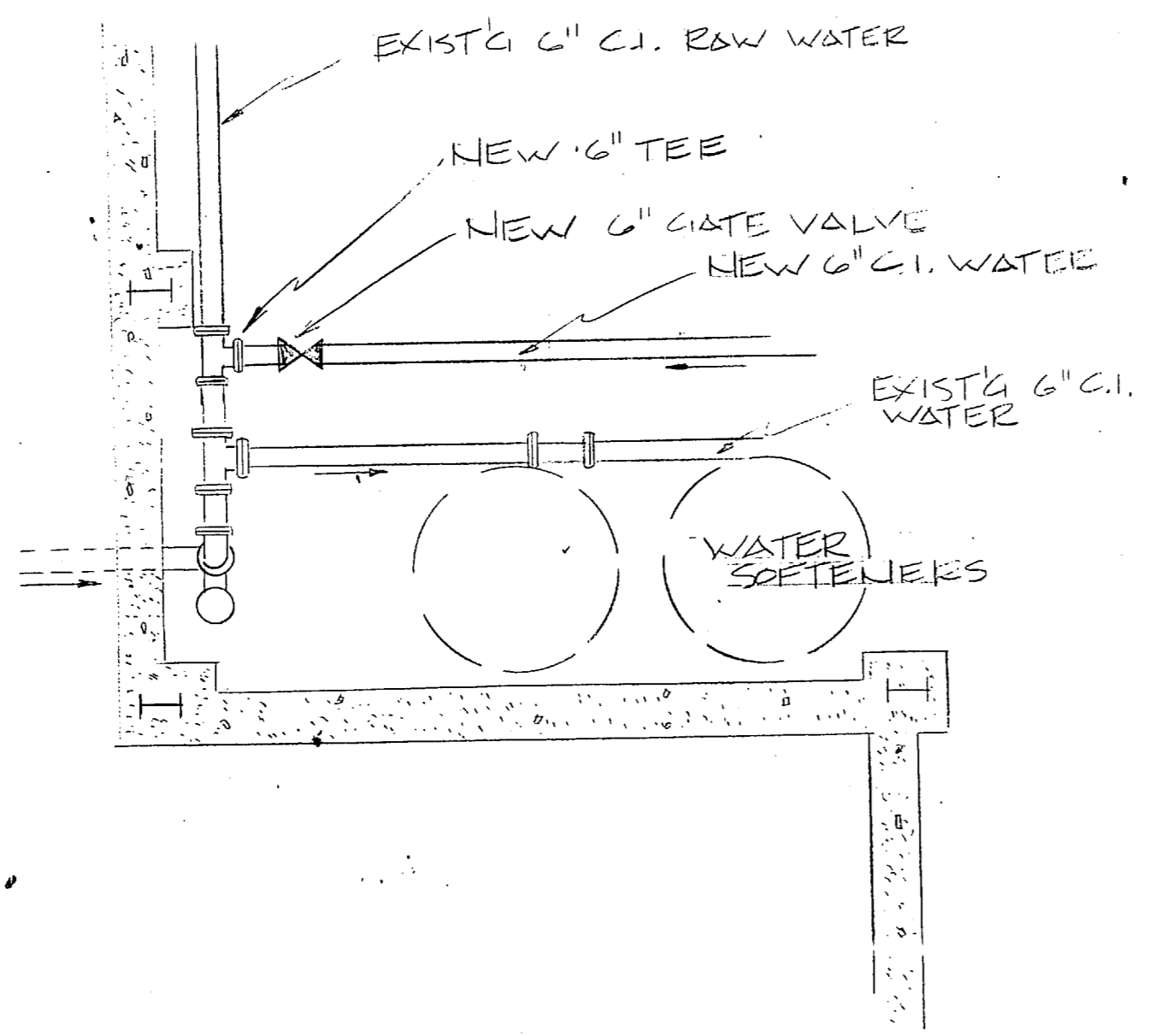
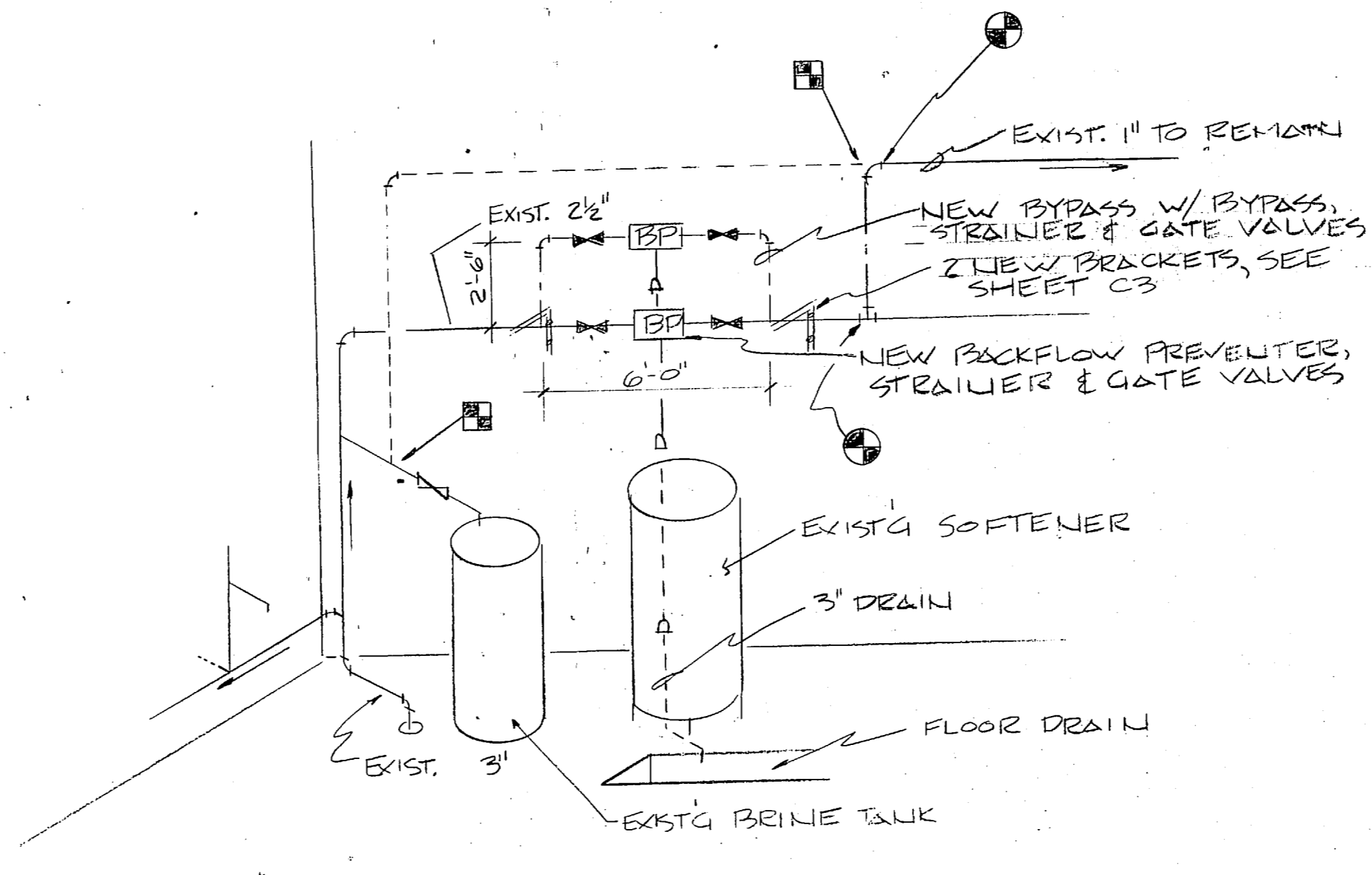
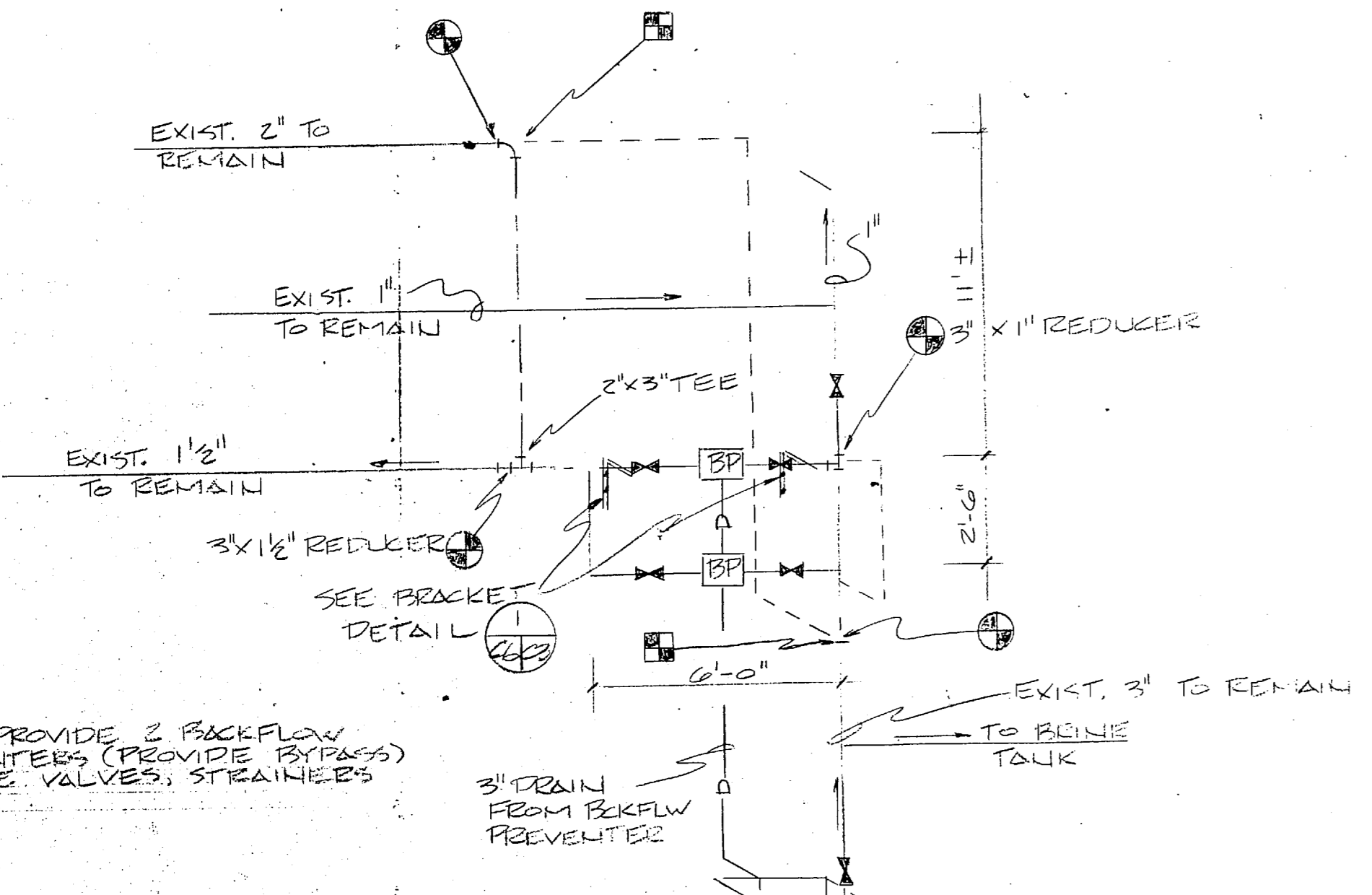
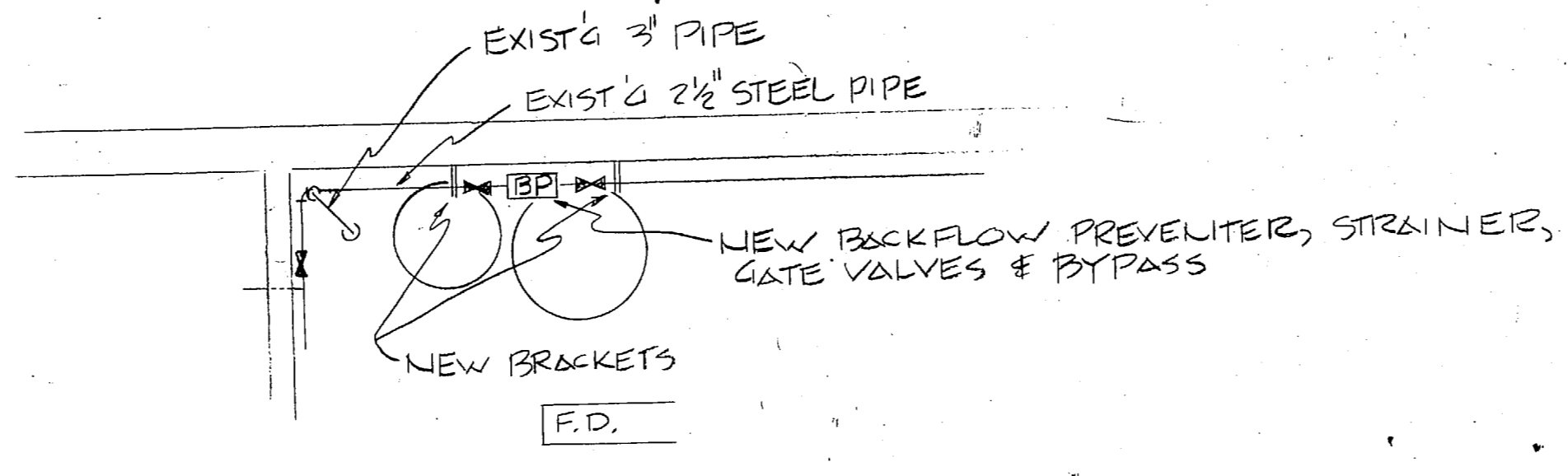
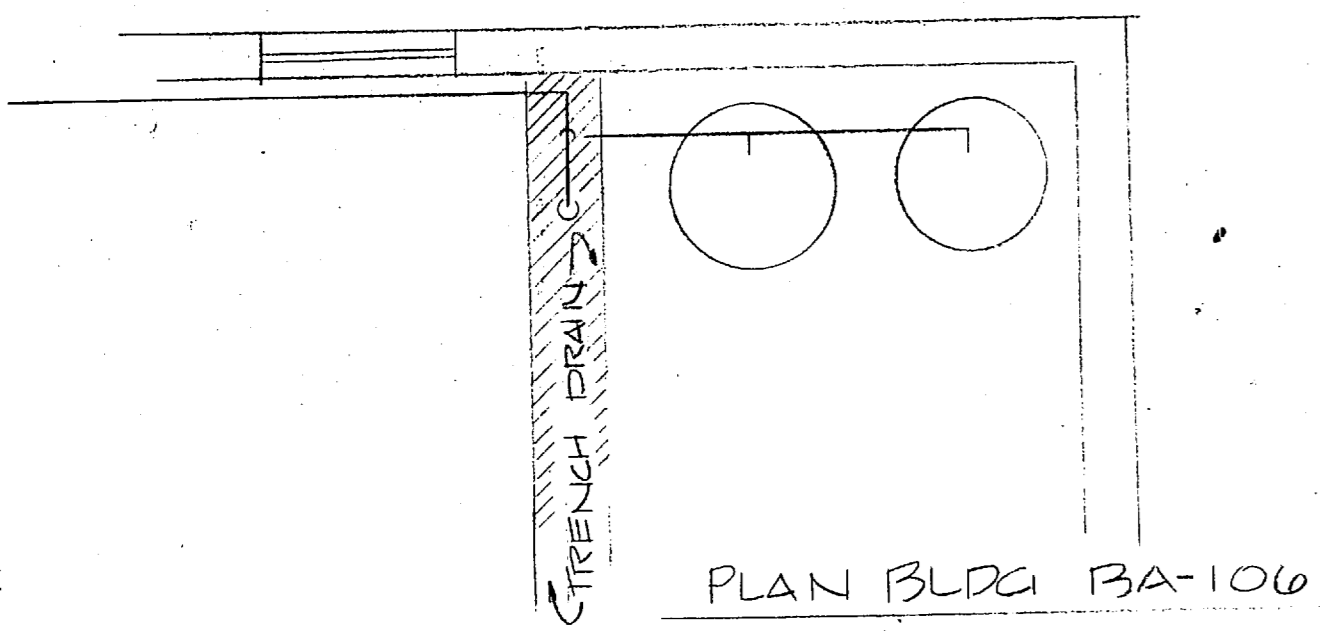
REVISIONS			
SYM.	DESCRIPTION	DATE	APPROVED
	WORK DONE IN SUMMER MONTHS BETWEEN VALVES		



DES. B. ASHTON DR. B. ASHTON CHK. CB SUBMITTED BY: CHB DESIGN DIR. FEC		DEPARTMENT OF THE NAVY NAVAL FACILITIES ENGINEERING COMMAND MARINE CORPS BASE CAMP LEJEUNE, NORTH CAROLINA		C-4	
APPROVED: PWO OR OIC	DATE	SIZE	CODE IDENT. NO.	NAVFAC DRAWING NO.	
<i>Ylone</i>	6-21-86	F	80091	4133039	
SATISFACTORY TO:	DATE	CONSTR. CONTR. NO. 162470-85-B-6400		SCALE: GRAPHIC SPEC. 05-85-6400 SHEET 5 OF 6	



REVISIONS			
SYM.	DESCRIPTION	DATE	APPROVED



DES. B. ASHTON		DR. B. ASHTON		CHK.		SUBMITTED BY:		DESIGN DIR. FEC		APPROVED: PWO OR OICC		DATE: 6-24-86		SATISFACTORY TO:		DATE:	
DEPARTMENT OF THE NAVY NAVAL FACILITIES ENGINEERING COMMAND										MARINE CORPS BASE							
CAMP LEJUNE, NORTH CAROLINA										REPLACE WATER & SEWER MAINS AND PROVIDE BACKFLOW PREVENTORS							
DETAILS										NAVFAC DRAWING NO. 4133040							
CONSTR. CONTR. NO. A62470-85-B-6400										SCALE: GRAPHIC SPEC. 05-85-6400 SHEET 6 OF 6							

