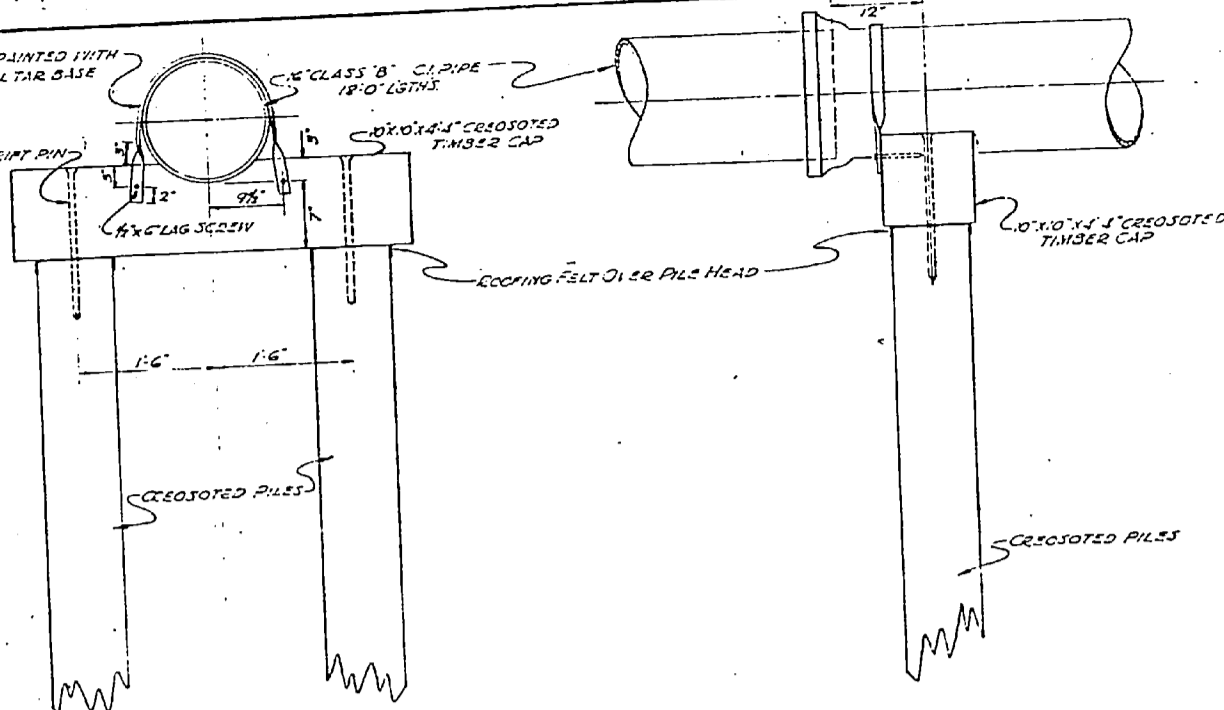
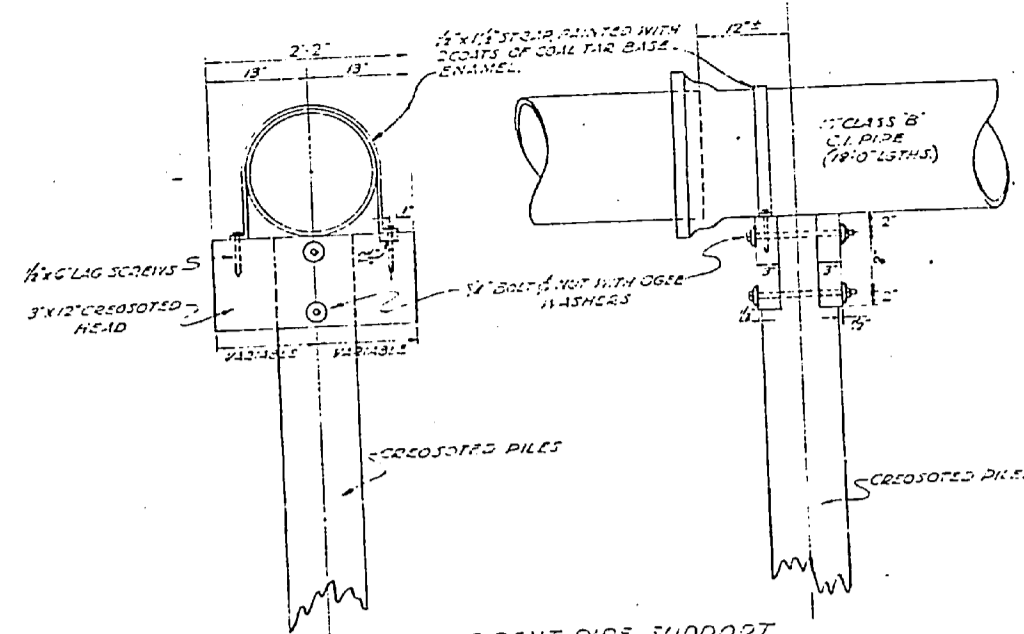


4"x4" STRAP PAINTED WITH
2 COATS OF COAL TAR BASE
ENAMEL

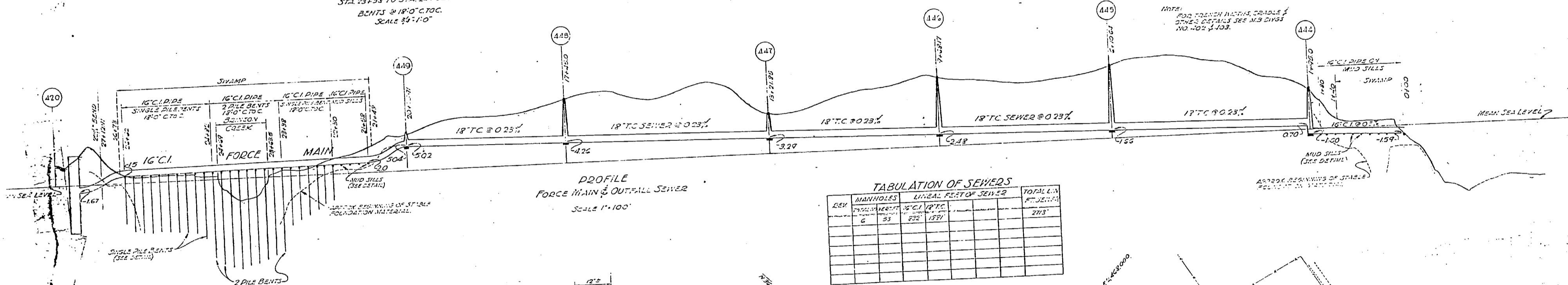


TWO PILE BENT PIPE SUPPORT
STA. 23+38 TO STA. 24+22 INC.
BENTS @ 18'0" C.T.C.
SCALE 3/4"=1'0"



SINGLE PILE BENT PIPE SUPPORT
STA. 22+30 TO STA. 23+20 INC. & STA. 25+20 TO STA. 26+52 INC.
BENTS @ 18'0" C.T.C.
SCALE 3/4"=1'0"

300
760
710
420
180

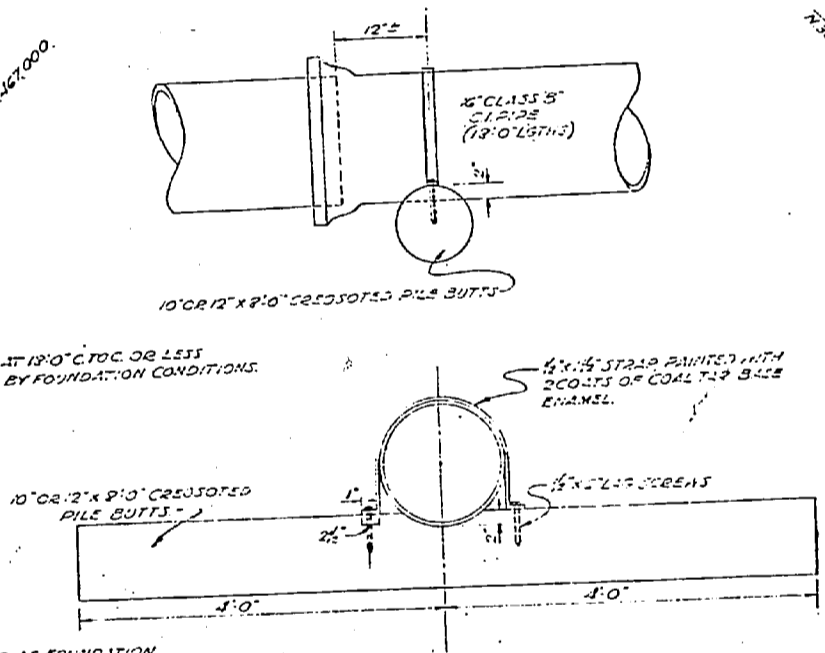


PROFILE
FORCE MAIN & OUTFALL SEWER
SCALE 1"=100'

TABULATION OF SEWERS

KEY	MANHOLES	LINEAL FEET OF SEWER		TOTAL L.I.N. FEET
		18" TC	12" TC	
1	53	222	157	379
2				
3				
4				
5				
6				
7				
8				
9				
10				
11				
12				
13				
14				
15				
16				
17				
18				
19				
20				
21				
22				
23				
24				
25				
26				
27				
28				
29				
30				
31				
32				
33				
34				
35				
36				
37				
38				
39				
40				
41				
42				
43				
44				
45				
46				
47				
48				
49				
50				
51				
52				
53				
54				
55				
56				
57				
58				
59				
60				
61				
62				
63				
64				
65				
66				
67				
68				
69				
70				
71				
72				
73				
74				
75				
76				
77				
78				
79				
80				
81				
82				
83				
84				
85				
86				
87				
88				
89				
90				
91				
92				
93				
94				
95				
96				
97				
98				
99				
100				

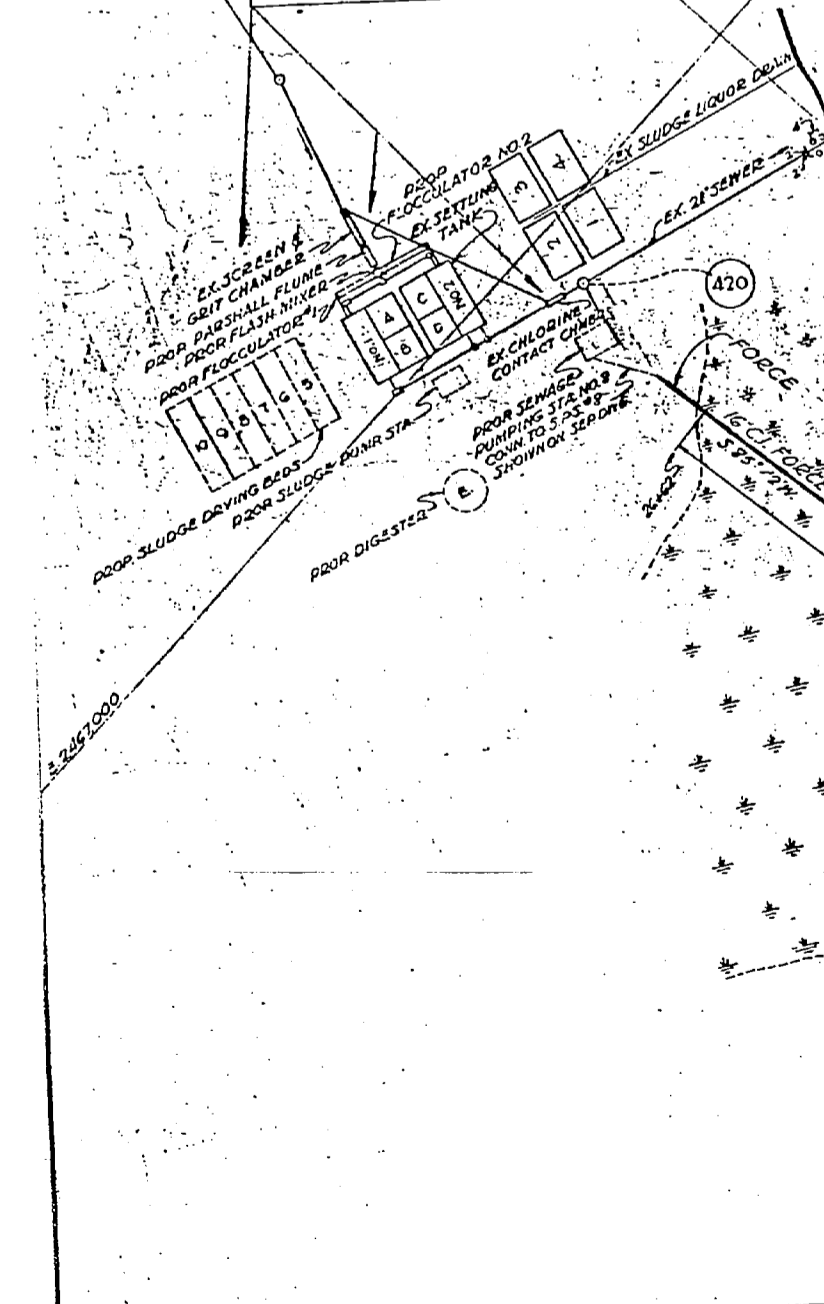
NOTE: PLACE MUD SILLS AT 18'0" C.T.C. OR LESS
IF NECESSITATED BY FOUNDATION CONDITIONS



MUD SILL DETAIL
STA. 0+00 TO 1+50 INC. & STA. 21+50 TO STA. 22+12 INC.
SCALE 3/4"=1'0"

NOTE: DRIVE FOUR PILES AS FOUNDATION
FOR OUTLET & FLAP VALVE (STRUCTURE
SHOWN ON SEPARATE DRAWING)

REVISION 'B'
JULY 17, 1942



PLAN
Scale 1"=100'

REVISION 'A'
APRIL 21, 1942

CARR & J. E. GREINER CO. - ARCHITECT-ENGINEERS
BALTIMORE, MD.
DURHAM, N. C.
MARINE BARRACKS - NEW RIVER, N. C.
BUREAU OF YARDS AND DOCKS - U. S. NAVY

TENT CAMPS - NO. 1 & 2
ADDITION TO SEWAGE
TREATMENT PLANT
FORCE MAIN & OUTFALL SEWER

DRAWN BY: WBC
TRACED BY: WBC
CHECKED BY: GEF
CHIEF DEPT: GEF
IN CHARGE: GEF
DATE: APRIL 17, 1942
SCALE: AS SHOWN
T. & D. DRAWING NO.: 162306

APPROVED: [Signature]
BY: [Signature]
RESIDENT ENGINEER IN CHARGE

NO. 103

REVISION DATE BRIEF

1
2
3

NO. IN CHARGE BY

NO. 103

ENCLOSURE

