

Check Sheet Route To Engineering Dept. or Requisitioner

INDIVIDUAL ITEMS LISTED BELOW

FISCHER & PORTER COMPANY
WALDMINSTER, PENNSYLVANIA, U. S. A.

VG

SPEC. BY G. Hoehn
Sgs. Eng. L. LISTED BELOW
SALES ORDER NUMBER

CUST. NO. 201404	COUNTY 119	STATE 32	IND 934	DATE ENTERED 1 Apr. 64	675100	SHIP WEEK OF
CUSTOMER ORDER NUMBER 15-11			REQUISITION/JOB NUMBER		DATE RECEIVED	
SHIP TO PANEL DEPT. 43 P				NAME		
				F.O.A. SHIPPING POINT		

6403 A 2916 J			
REFERENCE NUMBERS			
Government Inspect. Required			
CL. DISTRICT 2	AREA Cntt 64	CL. DISTRICT 2	AREA Rich 32

SOLD TO Brown Construction Co. P.O. Box 25644 Charlotte 6, N.C.				DIST.	MAN.	PROD.	AMOUNT	PROD.	AMOUNT	PROD.	AMOUNT
				CUSTOMER ORDER NUMBER				REQUESTED ROUTING			

B/L	SHIPPED VIA	DATE SHIPPED	DATE INVOICED	INVOICE NO.
-----	-------------	--------------	---------------	-------------

TAG & MARK 22.3.2	SCHED. SHIPMENT WEEK OF TO PANEL DEPT. 7 SEPT 64	SERIAL NO. 6403 A 2916 J 51
-------------------	--	-----------------------------

RECEIVER & PUMP CONTROL - RESERVOIR WATER LEVEL

ITEM	QUAN.	COMPLETE INSTRUMENT MODEL NUMBER	UNIT PRICE	AMOUNT																														
1		1102 MFO4 WITH 10" INDICATOR STRIP																																
<table border="1"> <tr> <td>RANGE</td> <td>TYPE</td> <td>MAT'L.</td> <td>SPEC. NO.</td> <td>O'RANGE</td> </tr> <tr> <td>B/M</td> <td>LOC. ON PLATE</td> <td>SPINDLE NO.</td> <td>TRAVEL DEGREES</td> <td>OUTPUT LEVER R.N.</td> </tr> <tr> <td>PROTECTOR TYPE</td> <td><input type="checkbox"/> PURCH. REQ.</td> <td>CODE</td> <td>DIAPHRAGM MAT'L.</td> <td><input type="checkbox"/> CASE MTD.</td> </tr> <tr> <td></td> <td><input type="checkbox"/> STOCK</td> <td>BY-</td> <td></td> <td><input type="checkbox"/> REMOTE MTD.</td> </tr> <tr> <td>BOTTOM BOWL MAT'L.</td> <td>CONN. TYPE</td> <td>ARMOR LENGTH</td> <td>MAT'L.</td> <td></td> </tr> <tr> <td>B/M</td> <td></td> <td>CAPIL. LGTH.</td> <td>MAT'L.</td> <td>SPEC. NO.</td> </tr> </table>					RANGE	TYPE	MAT'L.	SPEC. NO.	O'RANGE	B/M	LOC. ON PLATE	SPINDLE NO.	TRAVEL DEGREES	OUTPUT LEVER R.N.	PROTECTOR TYPE	<input type="checkbox"/> PURCH. REQ.	CODE	DIAPHRAGM MAT'L.	<input type="checkbox"/> CASE MTD.		<input type="checkbox"/> STOCK	BY-		<input type="checkbox"/> REMOTE MTD.	BOTTOM BOWL MAT'L.	CONN. TYPE	ARMOR LENGTH	MAT'L.		B/M		CAPIL. LGTH.	MAT'L.	SPEC. NO.
RANGE	TYPE	MAT'L.	SPEC. NO.	O'RANGE																														
B/M	LOC. ON PLATE	SPINDLE NO.	TRAVEL DEGREES	OUTPUT LEVER R.N.																														
PROTECTOR TYPE	<input type="checkbox"/> PURCH. REQ.	CODE	DIAPHRAGM MAT'L.	<input type="checkbox"/> CASE MTD.																														
	<input type="checkbox"/> STOCK	BY-		<input type="checkbox"/> REMOTE MTD.																														
BOTTOM BOWL MAT'L.	CONN. TYPE	ARMOR LENGTH	MAT'L.																															
B/M		CAPIL. LGTH.	MAT'L.	SPEC. NO.																														

SCALE & UNITS	PER COLOR	ELEM. LOC.	SPIN. NO.	SIG'L X'HIT	IND.	REC	TOT	CONT	RATIO	ACCESSORIES PER INST.
0-15 FEET LEVEL	RED	MFI	2	LIN	X	X		ALARMS (3)		<input type="checkbox"/> GAUGES (PSI OR KG/CM ²)
INTEGRATOR										<input type="checkbox"/> HI-TEMP. TRANSMITTER
CHART & DRIVE										<input type="checkbox"/> ASS. GSK, ALUM. PAINT HEAT SHIELD
CONTROLLER										<input type="checkbox"/> FILT. REG #
52T	52T	<input checked="" type="checkbox"/> ELEC.	<input type="checkbox"/> EXP. PROOF	58P	53P	QUAN. CHARTS 400				TYPE OF MOUNTING
COUNT X	COUNT X	<input type="checkbox"/> PNEU.	<input type="checkbox"/> SPRING	PROCESS INCREASE, OUTPUT:		<input type="checkbox"/> WALL	PEDESTAL			<input type="checkbox"/> W/PIPE STAND
CPH	CPH	SPEED 24 R./REV.	RANGE 0-15 24H	<input type="checkbox"/> INCREASE	<input type="checkbox"/> DECREASE	<input checked="" type="checkbox"/> PANEL	W/O PIPE STAND			<input type="checkbox"/> U-DOLT
B/M	51-1100	P/N 211G008	WIRE WD-51-1220.21 #27	WD-55-1002	SERIES	PRODUCT 2				V-39980
B/M	51-1118	VOLTS 115-60 CY.								

A) FURNISH WITH MODEL 55GL1353 "N-CASE"
TIME PULSE CONTROL UNIT LOCATION W1

B) FURNISH WITH MODEL 54MF1521A TIME PULSE
RECEIVER - TIME CYCLE 15 SECONDS
FUNCTION LINEAR / LINEAR

SUB-TOTAL \$	TRANSPORT. CHARGE
--------------	-------------------

OTHER DIM. DWG. WD-55-1018	QTY. INSTR. 31-1100 54MF1000	SPEC. DATE 14 JULY	AMT. OF INVOICE
51-1118	5/5 BULL. W/ SHIP'MT. 50GL1350 55AC1000		

SHIPMENT: COMPLETE PARTIAL FINAL PARTIAL TERMS: NET 30 DAYS

Year	1950	1951	1952	1953	1954	1955	1956	1957	1958	1959	1960
Population	100	105	110	115	120	125	130	135	140	145	150
Production	100	105	110	115	120	125	130	135	140	145	150
Consumption	100	105	110	115	120	125	130	135	140	145	150
Investment	100	105	110	115	120	125	130	135	140	145	150
Government	100	105	110	115	120	125	130	135	140	145	150
Private	100	105	110	115	120	125	130	135	140	145	150
Foreign	100	105	110	115	120	125	130	135	140	145	150
Domestic	100	105	110	115	120	125	130	135	140	145	150
Exports	100	105	110	115	120	125	130	135	140	145	150
Imports	100	105	110	115	120	125	130	135	140	145	150
Balance of Trade	100	105	110	115	120	125	130	135	140	145	150
Balance of Payments	100	105	110	115	120	125	130	135	140	145	150
Foreign Reserves	100	105	110	115	120	125	130	135	140	145	150
Government Debt	100	105	110	115	120	125	130	135	140	145	150
Private Debt	100	105	110	115	120	125	130	135	140	145	150
Foreign Debt	100	105	110	115	120	125	130	135	140	145	150
Domestic Debt	100	105	110	115	120	125	130	135	140	145	150
Foreign Assets	100	105	110	115	120	125	130	135	140	145	150
Domestic Assets	100	105	110	115	120	125	130	135	140	145	150
Foreign Liabilities	100	105	110	115	120	125	130	135	140	145	150
Domestic Liabilities	100	105	110	115	120	125	130	135	140	145	150
Foreign Reserves (continued)	100	105	110	115	120	125	130	135	140	145	150
Government Debt (continued)	100	105	110	115	120	125	130	135	140	145	150
Private Debt (continued)	100	105	110	115	120	125	130	135	140	145	150
Foreign Debt (continued)	100	105	110	115	120	125	130	135	140	145	150
Domestic Debt (continued)	100	105	110	115	120	125	130	135	140	145	150
Foreign Assets (continued)	100	105	110	115	120	125	130	135	140	145	150
Domestic Assets (continued)	100	105	110	115	120	125	130	135	140	145	150
Foreign Liabilities (continued)	100	105	110	115	120	125	130	135	140	145	150
Domestic Liabilities (continued)	100	105	110	115	120	125	130	135	140	145	150

Check Sheet Route To Engineering Dept. or Requisitioner

WARMINSTER, PENNSYLVANIA, U. S. A.

VG

INDIVIDUAL ITEMS

SPEC. BY

G. Hoehn

Sales Eng. I.
SALES ORDER NUMBER

LISTED BELOW

CUST NO. 201404	COUNTY 119	STATE 32	IND. 934	DATE ENTERED 1 Apr. 64	675100	SHIP WEEK OF
CUSTOMER ORDER NUMBER 15-11			REQUESTION/JOB NUMBER		DATE RECEIVED	
SHIP TO PANEL DEPT 43 P				NAME		
				F.O.B. SHIPPING POINT		

6403 A 2916 J			
REFERENCE NUMBERS Government Inspect. Required			
CR. DISTRICT 2 Chtt	AREA 04	CR. DISTRICT 2 Rich	AREA 32

SOLD TO Brown Construction Co. P. O. Box 25644 Charlotte 6, N.C.				DIST.	MAN.	PROD.	AMOUNT	PROD.	AMOUNT	PROD.	AMOUNT
CUSTOMER ORDER NUMBER				REQUESTED ROUTING							

CALIB.	TAG & MARK SHEET # 2 of 4	SCHED. SHIPMENT WK. OF	DATE SHIPPED	SERIAL NO. 6403A2916 J 5
ITEM			SHIPPED VIA	D/L

QUANTITY	SIZE	MODEL NUMBER 1102 MFO4	DATE INVOICED	INVOICE NO.
----------	------	---------------------------	---------------	-------------

MANUFACTURING SPECIFICATIONS

c.) FURNISH THREE (3)

MODEL 55 AC1000 MICROSWITCH ALARMS

LOCATION A1 CONTACT RATING 2 AMPS @ 117VAC

SET: ONE (1) ALARM @ LEVEL 14.0 FEET
TO CLOSE ON (RISING PEN MOTION)

INCREASING LEVEL TO STOP PUMP #1

SET: ONE (1) ALARM @ LEVEL 12.0 FEET
TO CLOSE ON (FALLING PEN MOTION)

DECREASING LEVEL TO START PUMP #1

SET: ONE (1) ALARM @ LEVEL 2.0 FEET
TO OPEN ON (FALLING PEN MOTION)

DECREASING LEVEL TO "SHUT-OFF"

PUMPS #1, 2 AND 3 ON DATA SHEET

6403A2916 J 3

PR. CD. UNIT PRICE AMOUNT

PRODUCT V-
PRODUCT V-

SUB-TOTAL
TRANSPORT. CHARGE

AMOUNT OF INVOICE \$

OTHER SN DIM. DWG.

QTY 5/5 INSTR. BULL W/ SHIP'T.

SPEC. DATE

SHIPMENT: COMPLETE PARTIAL FINAL PARTIAL

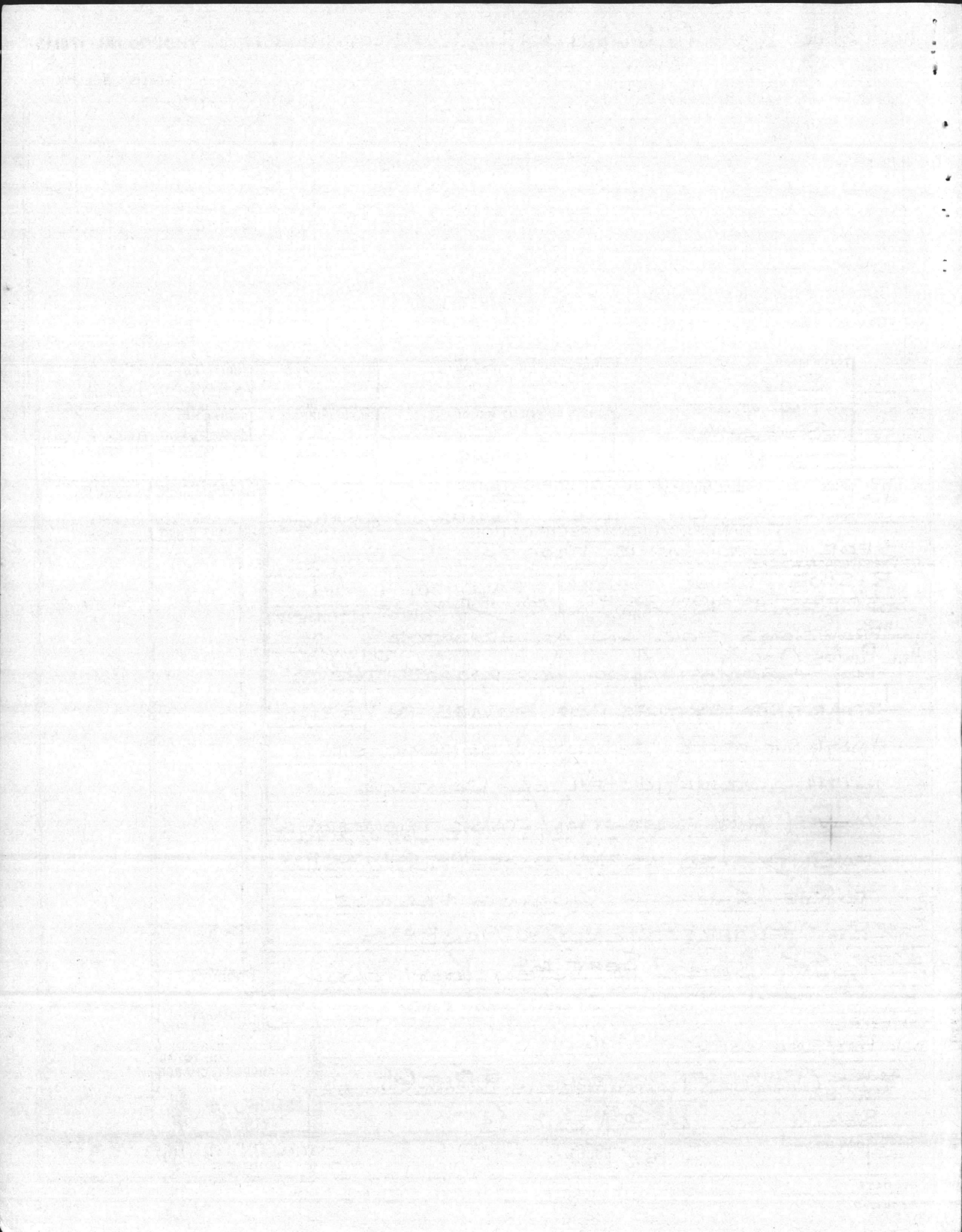
TERMS: NET 30 DAYS

SHEET # 2 of 4

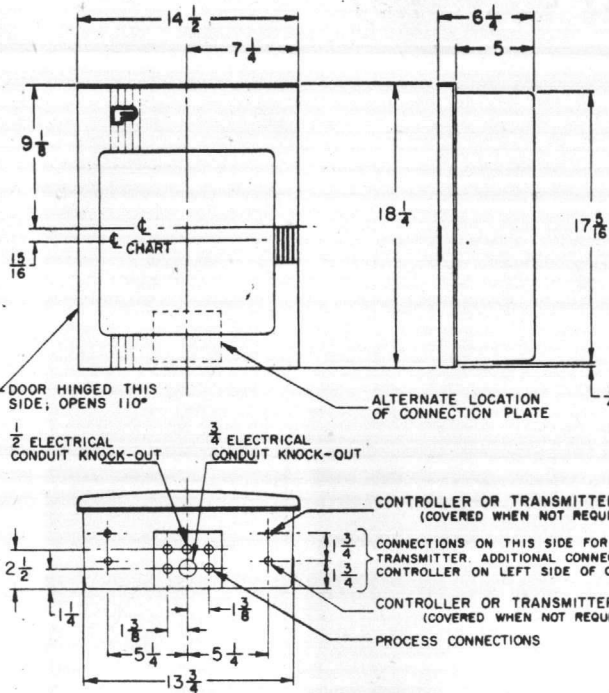
Main body of faint, illegible text, possibly a list or a series of entries.

WITTIJN JOSEPH DUBENTJACHT

Lower section of faint, illegible text, possibly a continuation of the list or entries.



INSTRUMENT CASE DIMENSIONS

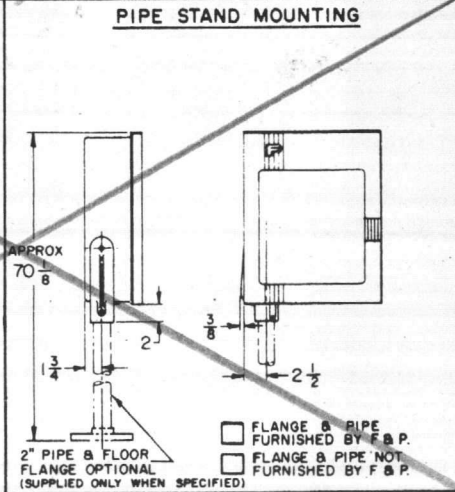
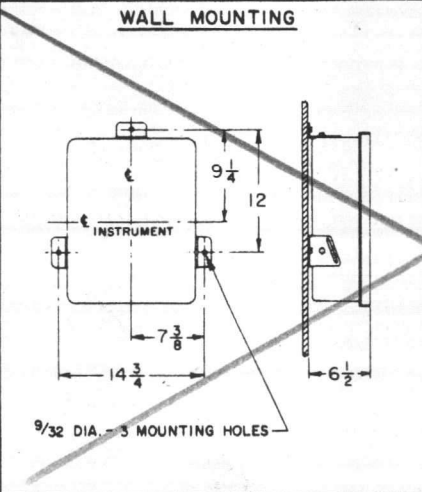
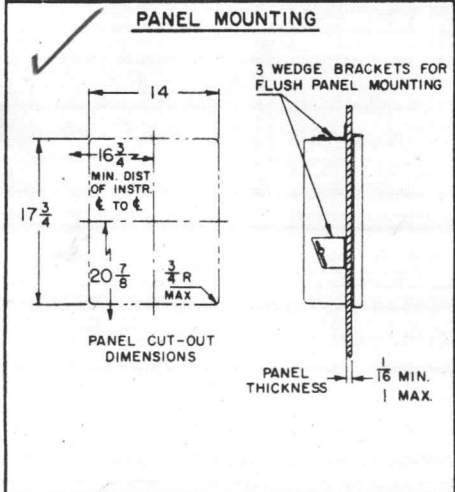
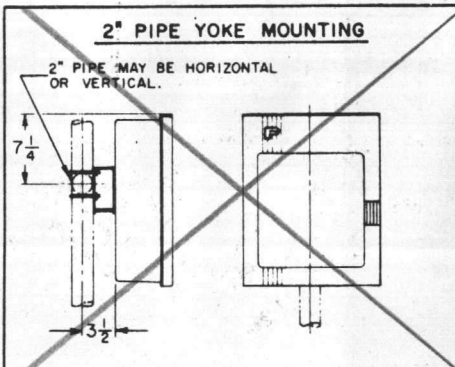


Certified Correct
For: Brown Construction Company
Order No. 15-11
F&P Serial No. 6403 A 2916 J5
Tag: 22.3.2 Receiver and Pump Control
Reservoir Water Level
Date: 14 August 1964
By: Peter J. [Signature]

OD-51-1064

GENERAL NOTES

- 1 ALL DIMENSIONS IN INCHES UNLESS OTHERWISE SPECIFIED.
- 2 DIMENSIONS GUARANTEED ONLY IF THIS PRINT IS CERTIFIED.
- 3 UNLESS OTHERWISE SPECIFIED CONNECTIONS WILL BE MADE THRU THE BOTTOM PLATE. THE PLATE IS EASILY CHANGED IN THE FIELD FROM THE BOTTOM POSITION TO THE BACK, OR ROTATED 180° FOR OTHER CONDUIT SIZE.
- 4 ALL PRESSURE PROCESS AND AIR CONNECTIONS ARE $\frac{1}{4}$ " N.P.T.I
- 5 PROCESS CONNECTIONS ARE COLOR CODED TO MATCH PEN COLORS.



REV.	DATE	BY	CHKD.	DESCRIPTION
4				
3				
2	12-20-62			REVISED CONNECTIONS, REVISED TRADEMARKS.
1	8-20-56			REVISED PROCESS CONNECTIONS
0				

OUTLINE DIMENSIONS
SINGLE DEPTH
INSTRUMENT CASE
SERIES 1100

F FISCHER & PORTER CO.
WARRINGTON, PA., U.S.A.
OD-51-1064

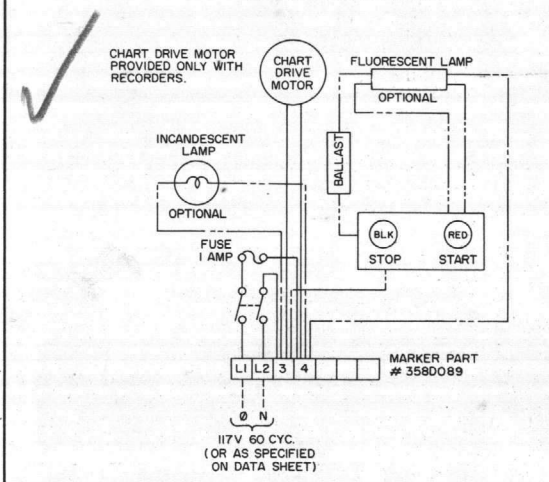
SA: [illegible]

Date: 14 June 1964
Reference: [illegible]
Re: [illegible]
[illegible]
[illegible]
[illegible]
[illegible]

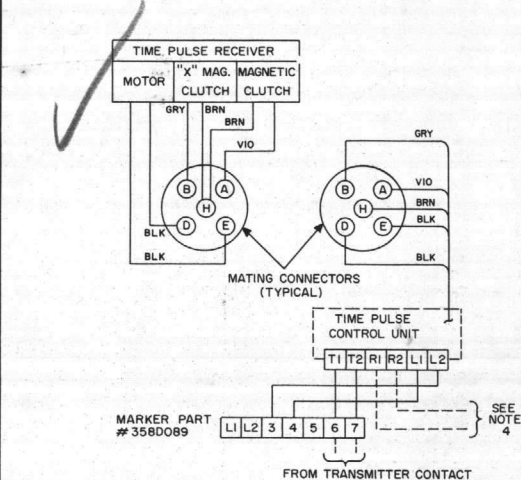
[illegible]
[illegible]
[illegible]
[illegible]

For: Brown Construction Company
 Order No. 15-11
 F&P Serial No. 6403 A 2916 J5
 Tag: 22.3.2 Receiver and Pump Control-
 Reservoir Water Level

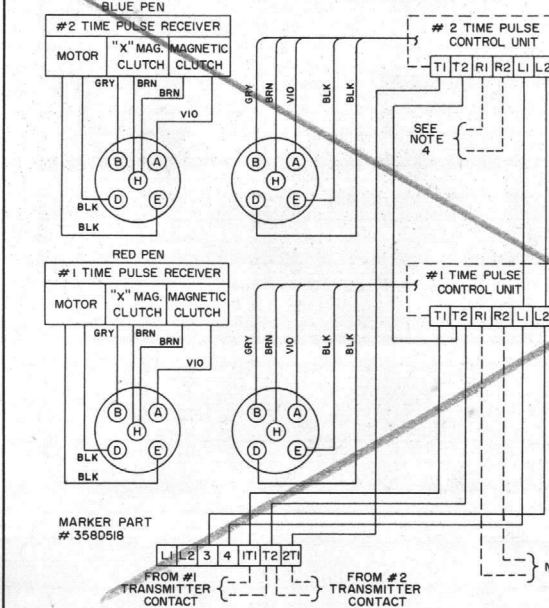
WD-51-1220 BASIC INSTRUMENT WITH ADDITIONAL WIRING FOR OPTIONAL LIGHTS



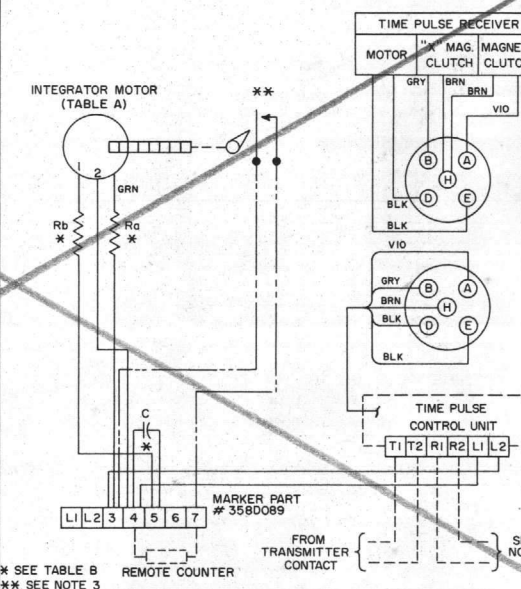
WD-51-1221 ADDITIONAL WIRING; ONE SERIES 50MF1000 TIME PULSE RECEIVER



WD-51-1222 ADDITIONAL WIRING; TWO SERIES 50MF1000 TIME PULSE RECEIVERS



WD-51-1223 ADDITIONAL WIRING; ONE SERIES 52T-4000 INTEGRATOR & ONE SERIES 54MF1000 TIME PULSE RECEIVER



- NOTES:
 1. (---) DENOTES CUSTOMER WIRING.
 2. (---) PHANTOM WIRING DENOTES WIRING FOR OPTIONAL ACCESSORIES.
 3. INTEGRATOR CONTACT SUPPLIED ONLY WHEN REMOTE COUNTER IS SPECIFIED.
 4. TERMINALS R1 AND R2 ARE USED FOR RETRANSMISSION OF TIME PULSE SIGNAL. CONTROL UNIT CONTACTS RATING 1 AMP AT 117VAC OR 28VDC NONINDUCTIVE. CONTACTS DUPLICATE TIME PULSE TRANSMITTER CONTACTS.

TABLE A

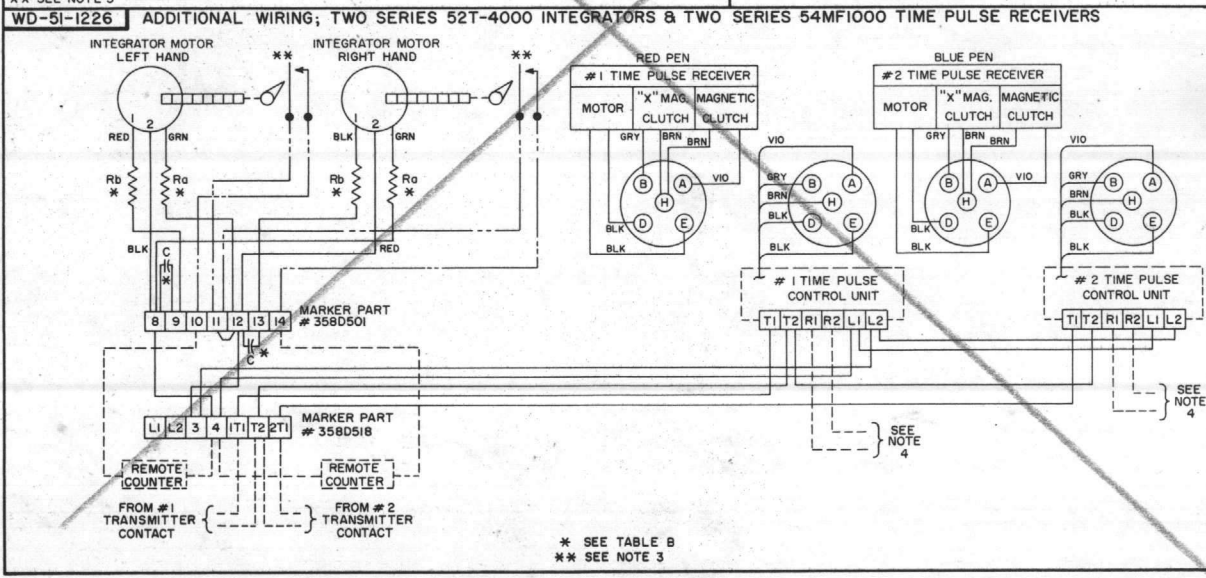
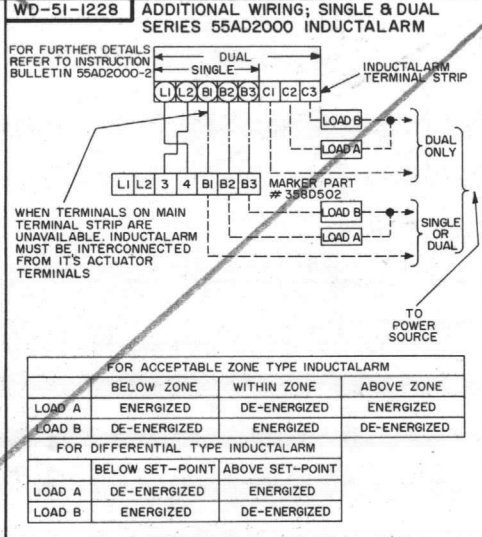
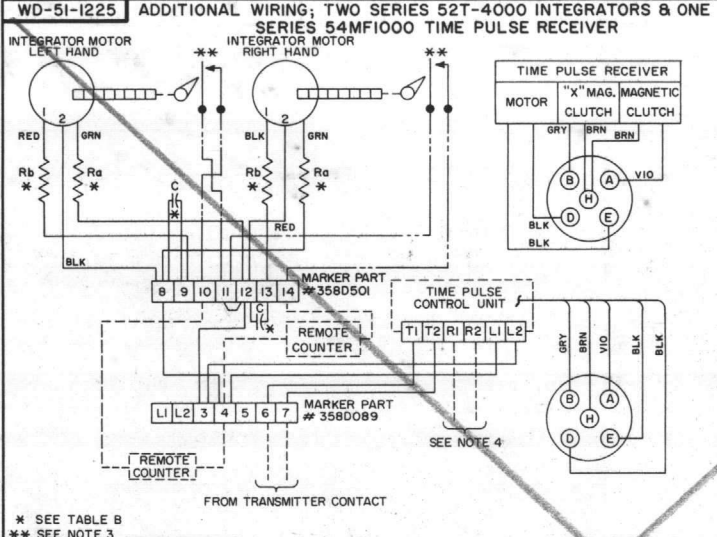
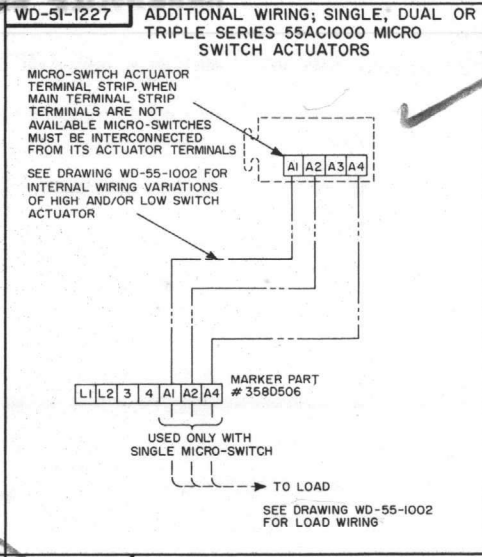
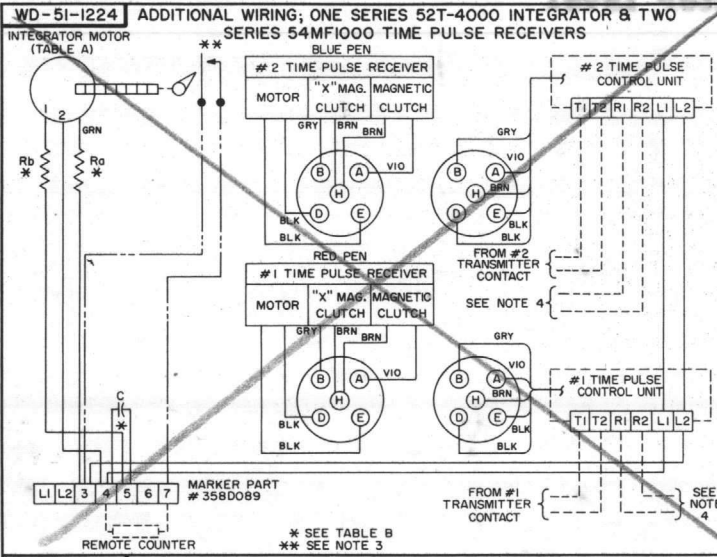
INTEGRATOR MOTOR COLOR CODE		
LOCATION	WIRE # 1	WIRE # 2
LEFT HAND	RED	BLACK
RIGHT HAND	BLACK	RED

TABLE B

POWER SUPPLY	RESISTOR VALUE	250V AC CAPACITOR VALUE, MFD	
		Ra-20W	Rb-5W
117V	25Ω	—	2.5
117V	50Ω	—	0.45
117V	60Ω	—	0.45
230V	50Ω	3500	0.45
230V	60Ω	3000	0.45

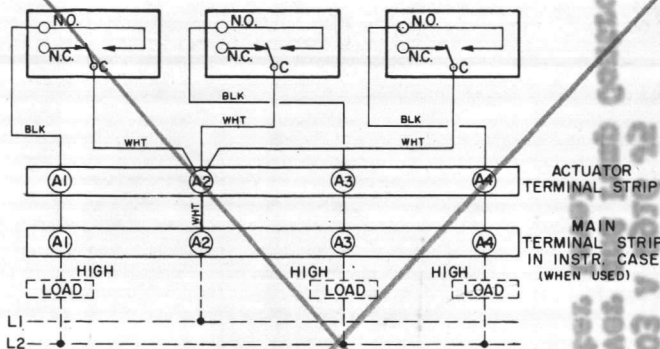
SEE REVERSE SIDE FOR DRAWINGS
 WD-51-1224 THRU WD-51-1228

Port: Brown Construction Company
 Order No. 17-11
 727 Serial No. 6403 A 2516 35
 Tel: 223-2 Receiver and Pump Control-

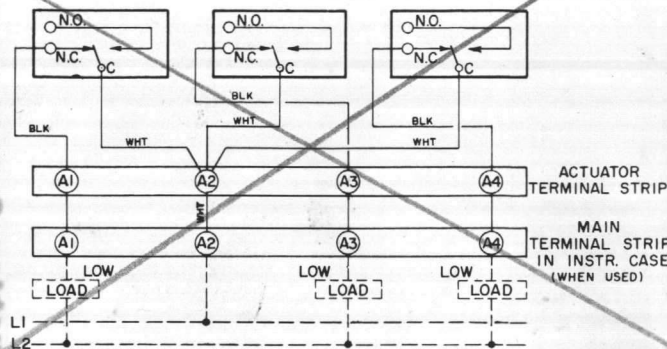


TRIPLE MICRO-SWITCHES

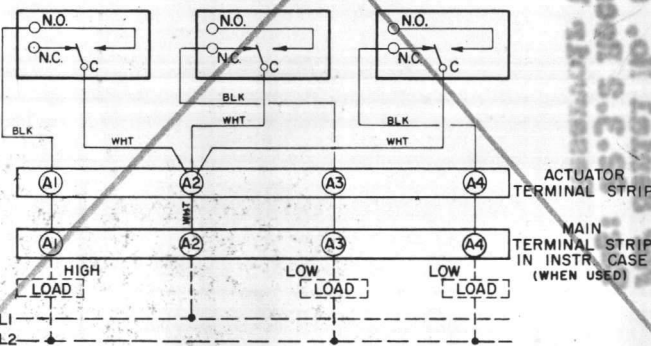
THREE HIGH



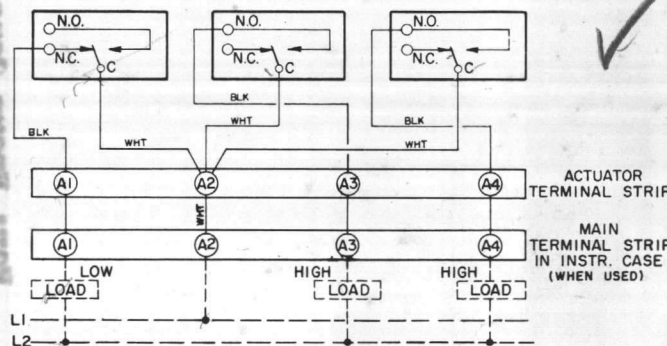
THREE LOW



TWO LOW & ONE HIGH

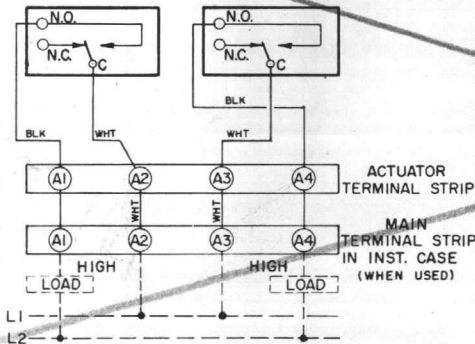


TWO HIGH & ONE LOW

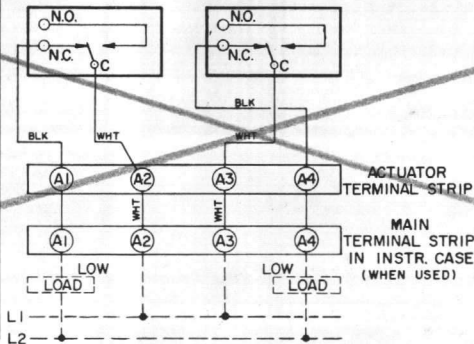


DUAL MICRO-SWITCHES

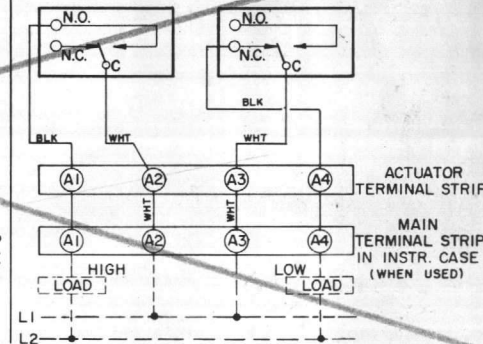
TWO HIGH



TWO LOW

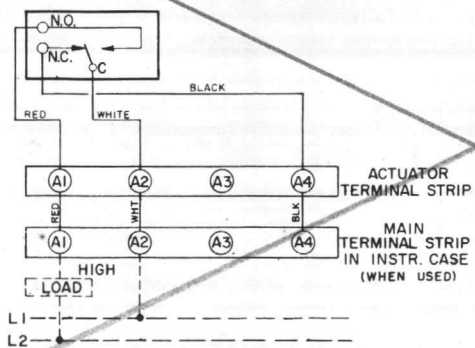


ONE HIGH & ONE LOW

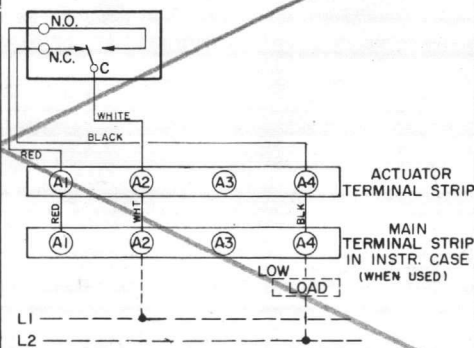


SINGLE MICRO-SWITCH

HIGH



LOW



NOTES

1. SWITCHES SHOWN IN ZERO PROCESS POSITION.
2. WIRING BETWEEN ACTUATOR TERMINAL STRIP AND MAIN TERMINAL STRIP FOR:
 - A - SINGLE ALARM
COLORS AS SHOWN.
 - B - DOUBLE ALARM
WHEN BOTH SWITCHES ARE ACTUATED BY THE SAME SPINDLE, LOAD LINES ARE BLACK WITH WHITE COMMON WIRE.
WHEN SWITCHES ARE ACTUATED BY SEPARATE SPINDLES, LOAD LINES ARE CODED TO MATCH INSTRUMENT PEN OR POINTER COLOR.
 - C - TRIPLE ALARM
COMMON WIRE IS WHITE, LOAD LINES ARE COLOR CODED TO MATCH INSTRUMENT PEN OR POINTER COLOR.
3. CONTACT RATING - 2 AMPS. MAX. AT 125 OR 250 V. AC. (NON-INDUCTIVE)
4. THIS DRAWING IS NORMALLY USED AS A SUPPLEMENT TO INSTRUMENT WIRING DIAGRAM.
5. --- BROKEN LINES INDICATE CUSTOMER WIRING.

WIRING DIAGRAM FOR
MICRO-SWITCH ACTUATOR
SERIES 55AC1000

FISCHER & PORTER CO.
WARMINSTER, PA.

WD-55-1002

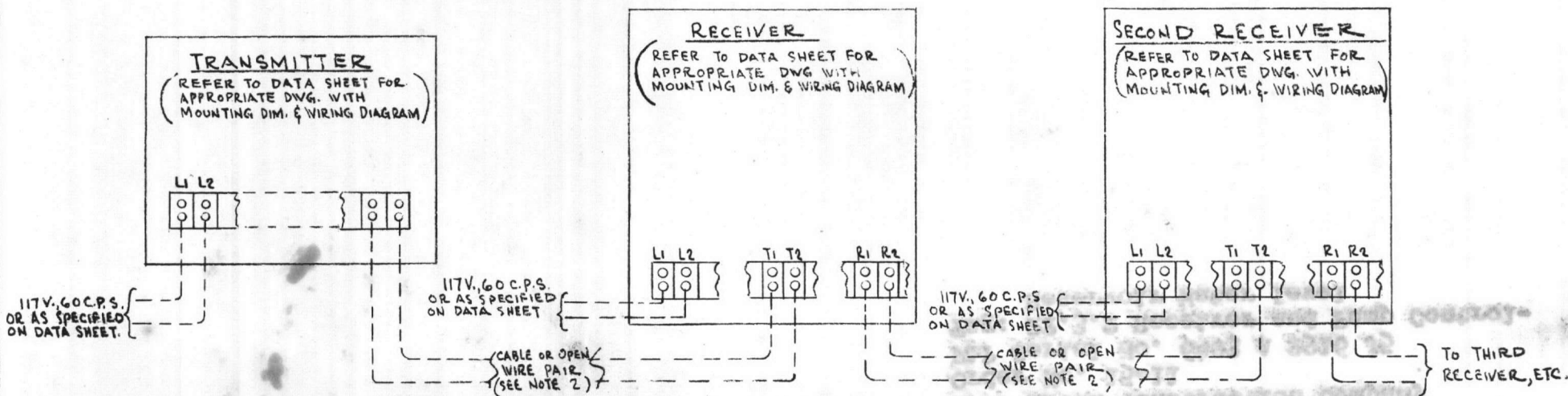
REV.

2

REV.	DESCRIPTION	SCALE	REF. DWG. No. (S)	MADE BY	CHECKED	APPROVED
4						
3						
2	ADDED THIRD WIRE TO SINGLE ALARMS; CHANGED NOTED 1 & 2 TO INDICATE COLOR CODES ON DUAL ASSEMBLY; BOTH COMMONS AND GO TO 0; ADDED BLACK & WHITE COMMONS ON ALL ALARMS					
1	NOTE #1 - WAS ALL WIRING ON MICRO-SWITCH BULB/TOR IS BLACK. MICRO-SWITCHES SHOWN IN ZERO PROCESS POSITION.					
0						
EDM-28041			S-40771			

For: Brown Construction Company
Order No. 15-11
F&P Serial No. 6403 A 2916 J5
Tag: 22.3.2 Receiver and Pump Control-
Reservoir Water Level

TWO OR MORE RECEIVERS IN SERIES CONNECTION:
 ONE RECEIVER UNIT RETRANSMITTING TO THE NEXT RECEIVER.
 (FOR PARALLEL RECEIVERS CONNECTION SEE NOTE #3.)

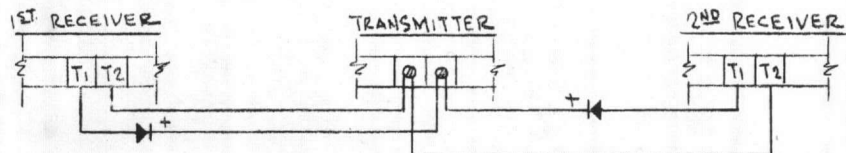


NOTES:

1. (----) DENOTES CUSTOMER WIRING
2. (CABLE DATA IS APPROXIMATE; USE AS A GUIDE ONLY)
 A. UP TO 2500 OHM LOOP RESISTANCE

3. FOR PARALLEL CONNECTION OF TWO OR MORE "IN-CASE" RECEIVERS TO ONE TRANSMITTER:

A SILICON DIODE (SOLITRON CER69 OR EQUIVALENT: (PIV-200V.) MUST BE INSTALLED IN SERIES WITH EACH "T1" LINE AS SHOWN:



THE MAXIMUM LOOP RESISTANCE WILL DECREASE TO 2300 OHM PER RECEIVER

* OHMS PER LOOP MILE INCLUDES STD. A.T. FT. LOADING COILS ON CABLES.
 MINIMUM LEAKAGE: MINIMUM RESISTANCE DURING WORST WEATHER CONDITIONS - 50,000 OHMS.

CABLE SIZE	OHMS/LOOP MI*	MAX. CABLE LENGTH
OPEN WIRE		
6 AWG.	4.11 OHMS	600 MILES
8 "	6.74 "	370 "
10 "	10.15 "	240 "
19 "	100. "	25 "
22 "	171. "	14 "
24 "	271. "	9 "
26 "	431. "	5 "

REV.	AUTHORIZATION	MADE BY	CHKD. BY	APPD. BY	REVISION DESCRIPTION	SEP. DWGS.	INSTALLATION WIRING DIAGRAM "IN-CASE" TIME PULSE RECEIVER - TRANSMITTER	FISCHER & PORTER CO. WARMINGTON, PA., U.S.A.
2		GASKILL		Kimmel	NOTE #3 ADDED	B. M. NO.		
1					Revised cable lengths on #23, 29, +26 AWG. CABLE		REV. 2	
MADE BY GASKILL-25 NOV-62					CHKD. BY	APPD. BY Kimmel	AUTH 6209H173J 2157.10	SCALE NONE

For: Brown Construction Company
Order No. 15-11
F&P Serial No. 6403 A 2916 J5
Tag: 22.3.2 Receiver and Pump Control-
Reservoir Water Level