

Check Sheet Route To Engineering Dept. or Requisitioner

INDIVIDUAL ITEMS

FISCHER & PORTER COMPANY
WARDENSTER, PENNSYLVANIA, U. S. A.

SPEC. BY: G. Hoal
LISTED BELOW

EST. NO. 201404	COUNTY 119	STATE 32	IND. 934	DATE ENTERED 1 Apr. 64	675100	SHIP WEEK OF
CUSTOMER ORDER NUMBER 15-11			REQUISITION/JOB NUMBER		DATE RECEIVED	
SHIP TO PANEL DEPT 43 P				AVAIL.		DATE RECEIVED
F.O.B. SHIPPING POINT				F.O.B. SHIPPING POINT		DATE RECEIVED

6403 A 2916 J	
PURCHASE NUMBER	
Government Inspector Required	
CR. DISTRICT	AREA OF DISTRICT
28th	64th
Men	32

SOLD TO Brown Construction Co. P.O. Box 25644 Charlotte 5, N.C.			CUST. PART. PROD. AMOUNT			PROD. AMOUNT			PROD. AMOUNT		
<i>Eleventh</i>									CUSTOMER ORDER NUMBER		

CALIB. ITEM	TAG & MARK SHEET # 2 of 6	SCHED. SHIPMENT WK. OF	DATE SHIPPED	SERIAL NO. 6403 A 2916 J 3
QUANTITY 1	SIZE	MODEL NUMBER 1102 MFO4 NS	SHIPPED VIA	B/L

MANUFACTURING SPECIFICATIONS

C.) FURNISH WITH TWO(2) "ADJUSTABLE DIFFERENTIAL" MODEL 55 AD 2121 DUAL INDUCTALARM UNITS LOCATION AD11 AD12 CONTACT RATING FIVE AMPS @ 117 VAC TO OPERATE AS FOLLOWS:

ON RISING LEVEL

A.) INDUCTALARM "D" TO OPEN AT LEVEL 20 FEET TO STOP PUMP # 2.

B.) INDUCTALARM "E" TO OPEN AT LEVEL 21 FEET TO STOP PUMP # 3 AND TO START PUMP # 1.

C.) INDUCTALARM "B" TO OPEN AT LEVEL 23 FEET TO STOP PUMP # 1

ON FALLING LEVEL

A.) INDUCTALARM "C" TO CLOSE AT LEVEL 21 FEET TO START PUMP # 1

DATE INVOICED	INVOICE NO.	
PR. CB.	UNIT PRICE	AMOUNT
B - Inductalarm altern # 192		
Pump		
C - # 1 pump		
PRODUCT	V-	
PRODUCT	V-	
PRODUCT	V-	

SUB-TOTAL	
TRANSPORT. CHARGE	
AMOUNT OF INVOICE	\$

OTHER SN	DIM. DWG.	QTY	INSTR. BULL W/ SHIP'T.
		5/3	

SHIPMENT: COMPLETE PARTIAL FINAL PARTIAL

TERMS: NET 30 DAYS

[Faint, illegible handwriting]



Check Sheet Route To Engineering Dept. or Requisitioner

INDIVIDUAL ITEMS LISTED BELOW

FISCHER & PORTER COMPANY
WARRINSTER, PENNSYLVANIA, U. S. A.

SPEC. BY G. Hoehn
Srs. Eng. I
LISTED BELOW

CLIST NO. 201404	COUNTY STATE 119 32	INSTR. NO. 934	DATE ENTERED 1 Apr. 64	675100	SHIP WEEK OF
CUSTOMER ORDER NUMBER 15-11	REQUISITION/ICB NUMBER		DATE RECEIVED		
SHIP TO PANEL DEPT. 43 P			F.O.B. SHIPPING POINT		

6403 A 2916 J					
Government Inspector Required					
TO DISTRICT	AREA	CR	DISTRICT	AREA	
2 Chct	54	2	Rich	3	

SHIP TO Brown Construction Co. P. O. Box 25644 Charlotte 6, N.C.	DIST.	MAKE	PROD.	AMOUNT	PROD.	AMOUNT	PROD.	AMOUNT
	CUSTOMER ORDER NUMBER				REQUESTED ROUTING			

CALIB.	TAG & MARK SHEET # 3 of 6	SCHED. SHIPMENT WK. OF	DATE SHIPPED	SERIAL NO. 6403A2916 J
ITEM			SHIPPED VIA	B/L

QUANTITY 1	SIZE	MODEL NUMBER 1102 MFO4 NS	DATE INVOICED	INVOICE NO.
---------------	------	------------------------------	---------------	-------------

MANUFACTURING SPECIFICATIONS

B.) INDUCTALARM "D" TO CLOSE AT LEVEL 20 FEET TO START PUMP # 3 AND TO STOP PUMP # 1.

C.) INDUCTALARM "E" TO CLOSE AT LEVEL 19 FEET TO START PUMP # 2.

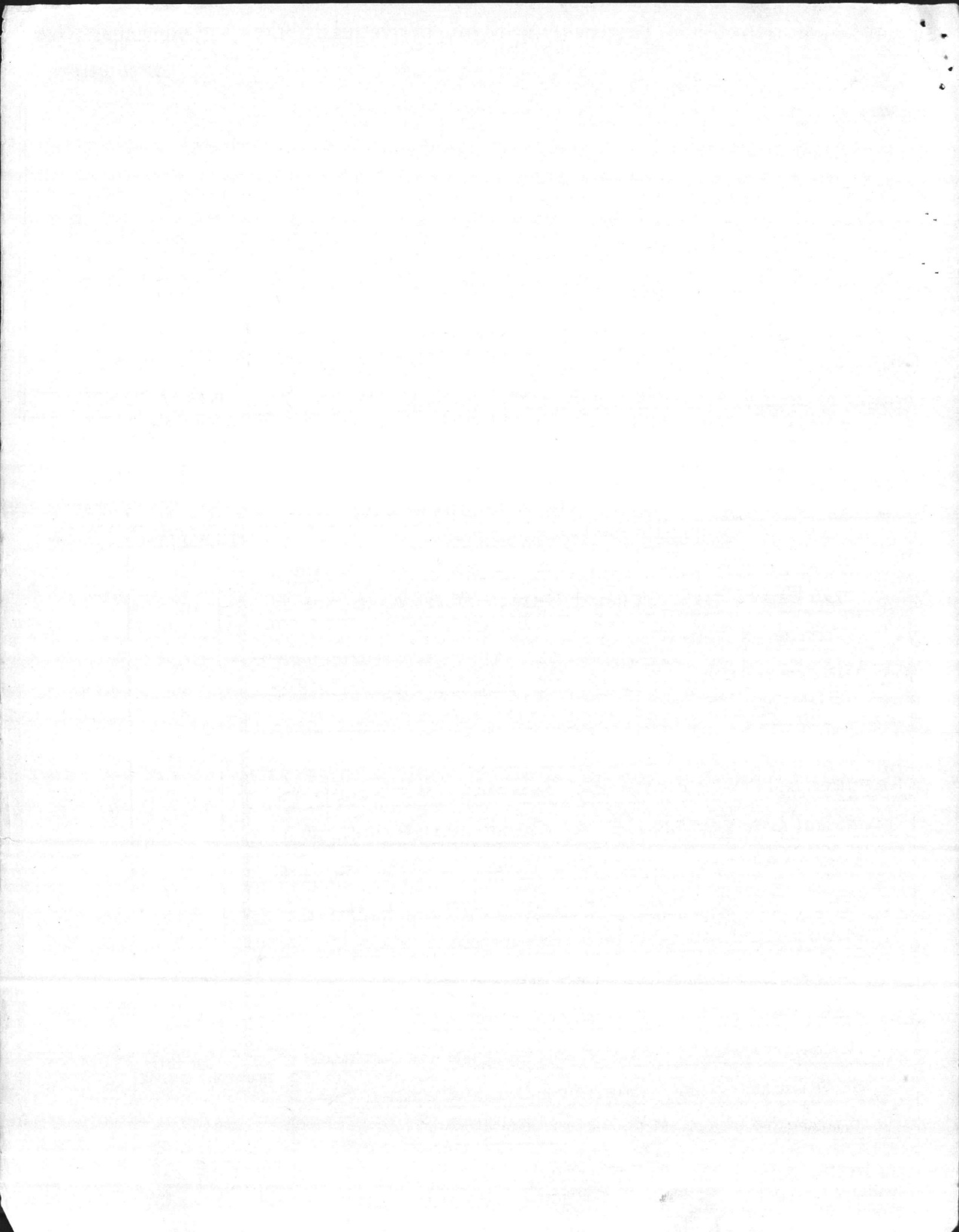
REFERENCE: MICROSWITCH CONTACT INSTALLED IN SER. NO. 6403A2916 J TO CAUSE ALL PUMPS TO "SHUT-OFF" WHEN RESERVOIR LEVEL DROPS TO 2.0 FEET. PUMPS SHALL REMAIN OFF UNTIL MANUALLY RESET AT CONTROL PANEL.

PANEL DESIGN DEPARTMENT TO MAKE PROVISIONS FOR AN ALTERNATE TO AUTOMATICALLY ALTERNATE THE STARTING SEQUENCE AND OPERATIONAL CYCLES OF PUMPS # 1 AND # 2

PR. CR.	UNIT PRICE	AMOUNT

PRODUCT V-	
PRODUCT V-	
PRODUCT V-	
SUB-TOTAL	
TRANSPORT. CHARGE	
AMOUNT OF INVOICE \$	

OTHER DIM. DWG.	QTY 5/5	INSTR. BULL W/ SHIP'T.	SPEC. DATE	SHIPMENT: <input type="checkbox"/> COMPLETE <input type="checkbox"/> PARTIAL <input type="checkbox"/> FINAL PARTIAL	TERMS: NET 30 DAYS
-----------------	---------	------------------------	------------	---	--------------------





FISCHER & PORTER COMPANY
WARMINSTER, PENNSYLVANIA, U. S. A.

VG

LISTED BELOW

SPEC. BY G. Hoehn
 SIGNED BY J. J. Tucker
 6403A2916 J
 GOVERNMENT INSPECT. REQUIRED
 CL. ORDERED 2 Chtt 64 2 Rich 32

CUSTOMER ORDER NUMBER: 15-11
 REGISTRATION/JOB NUMBER
 DATE RECEIVED
 SHIP TO: PANEL DEPT
 43 P
 F.B.A. SHIPPING POINT

SOLD TO: Brown Construction Co.
 P. O. Box 25644
 Charlotte 6, N.C.
 DIST. MAN. PROD. AMOUNT
 CUSTOMER ORDER NUMBER
 REQUESTED ROUTING

CALIB. TAG & MARK: SHEET #
 4 of 6
 SCHED. SHIPMENT WK. OF
 DATE SHIPPED: 6403A2916
 SHIPPED VIA B/L

QUANTITY: 1
 SIZE MODEL NUMBER: 1102 MFO4 NS
 DATE INVOICED INVOICE NO.

MANUFACTURING SPECIFICATIONS

SCHEDULE OF PUMPS OPERATION FOR
AUTOMATIC PROGRAM CONTROL

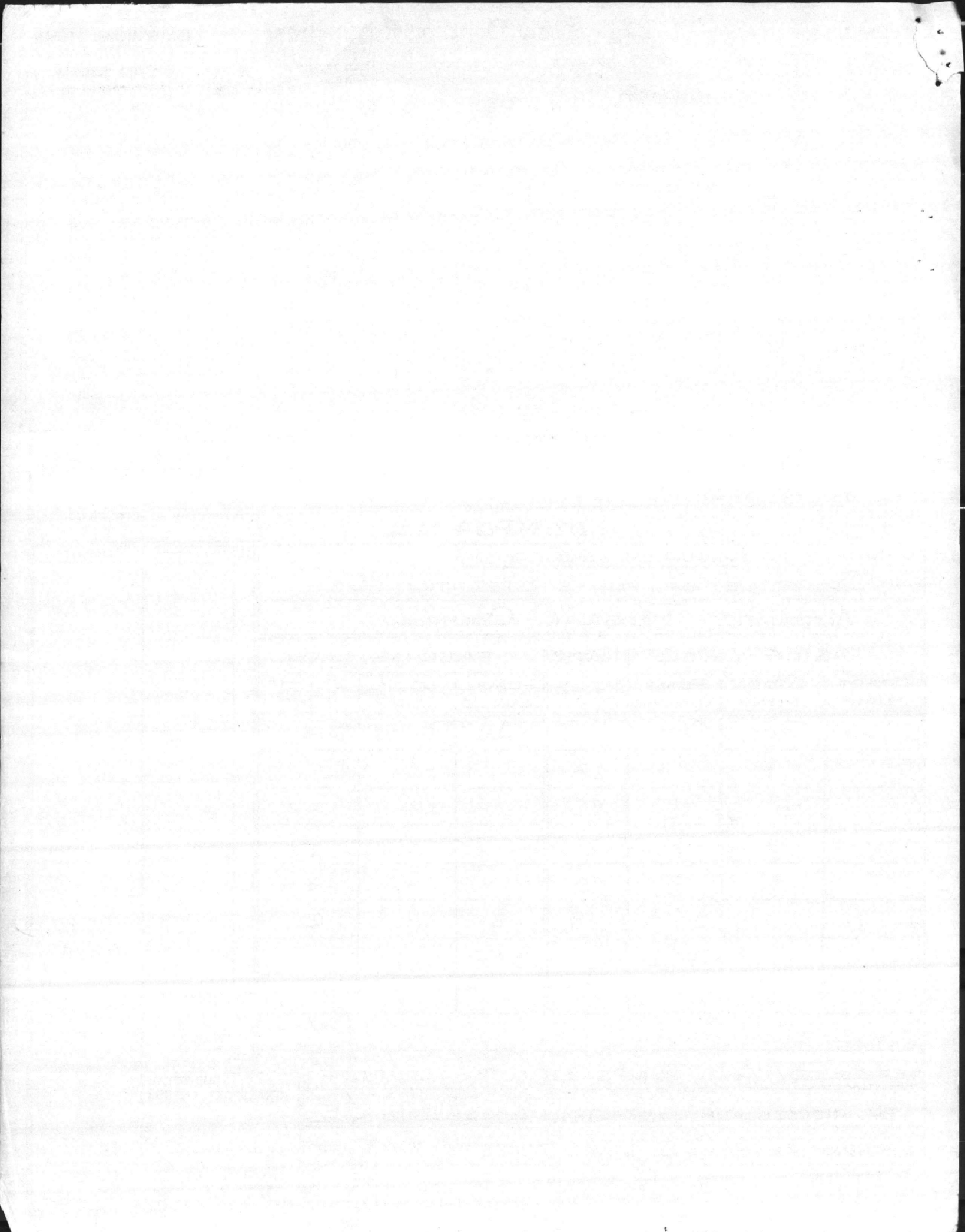
RISING LEVEL			WATER LEVEL	FALLING LEVEL		
START PUMP	STOP PUMP	PUMP RUNNING		PUMP RUNNING	STOP PUMP	START PUMP
ALL PUMPS OFF				ALL PUMPS OFF		
	1		23			
		1	22			
1	3	1	21			1
	2	3	20		1	3
		3 1/2	19	3		2
		3 1/2		3 1/2		

PR	UNIT PRICE	AMOUNT

PRODUCT V-
PRODUCT V-

REFERENCE: ALL PUMPS SHALL BE "SHUT-OFF"
BY MICROSWITCH CONTACT IN 6403A2916 J5
WHEN RESERVOIR LEVEL DROPS TO 2.0 FEET

SUB-TOTAL
 TRANSPORT. CHARGE
 AMOUNT OF INVOICE \$



Top
B alternate #1 & 2 High Left Pump
Rising Level

A D open at Level 20ft to Stop pump #2

B C to open at Level 21ft to Stop pump 3 + Start pump #1

C B to open at Level 23ft to Stop pump #1

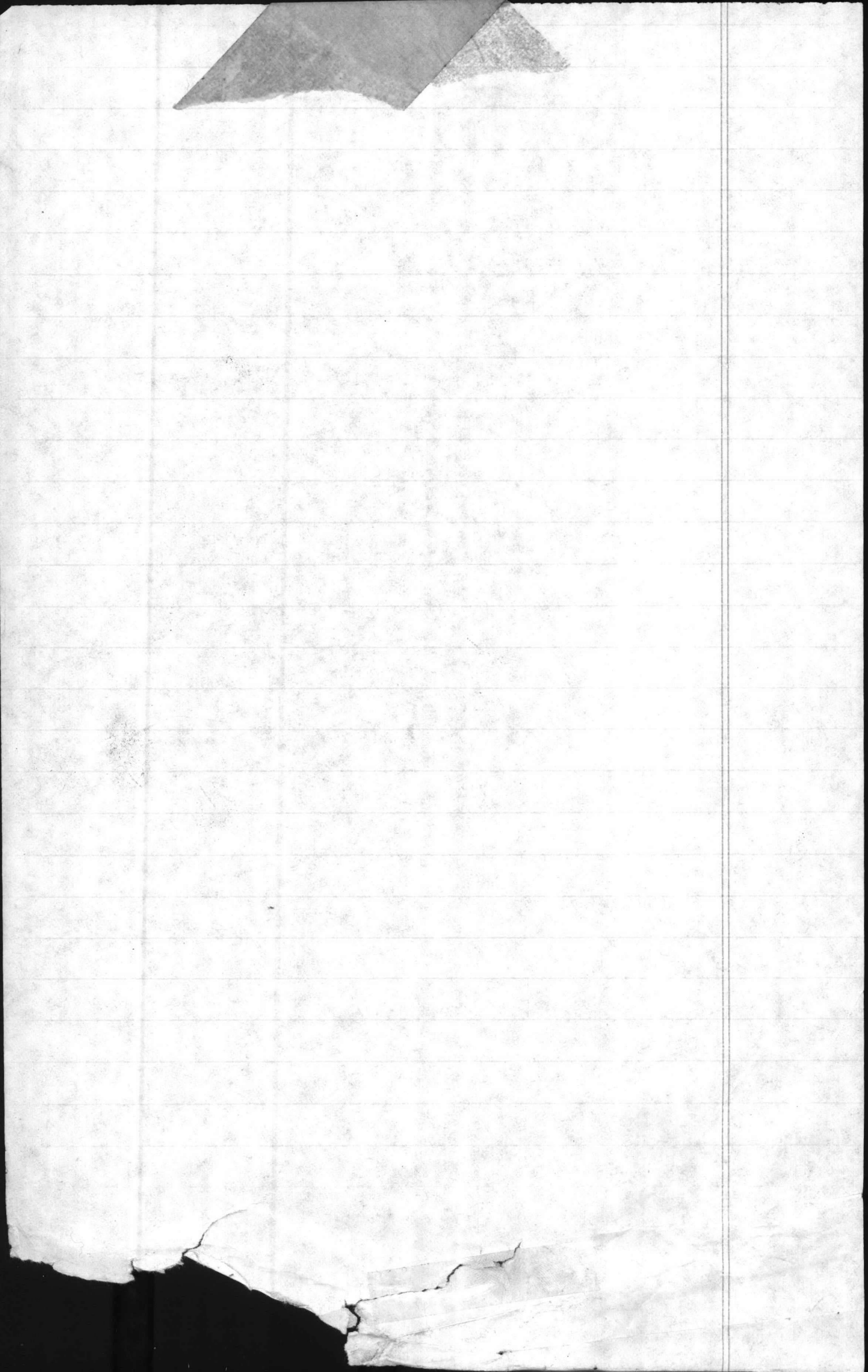
Falling Level

A C to Close at Level 21ft to Start #1 pump

B D to Close at Level 20ft to Start pump 3 and Stop pump 1

C E to Close at Level 19ft to Start pump #2

Starting Level # (Pumps) 1-3-2



FISCHER & PORTER COMPANY
WARRMISTER, PENNSYLVANIA, U. S. A.

CLAY NO. 201404	COUNTY 119	STATE 32	IND. 934	DATE ENDS 1 Apr. 64	675100	SHIP WEEK OF
CUSTOMER ORDER NUMBER 15-21		REQUISITION/JOB NUMBER			DATE RECEIVED	
SHIP TO PANEL DEPT 43 D				SHARE		
F.O.B. SHIPPING POINT						

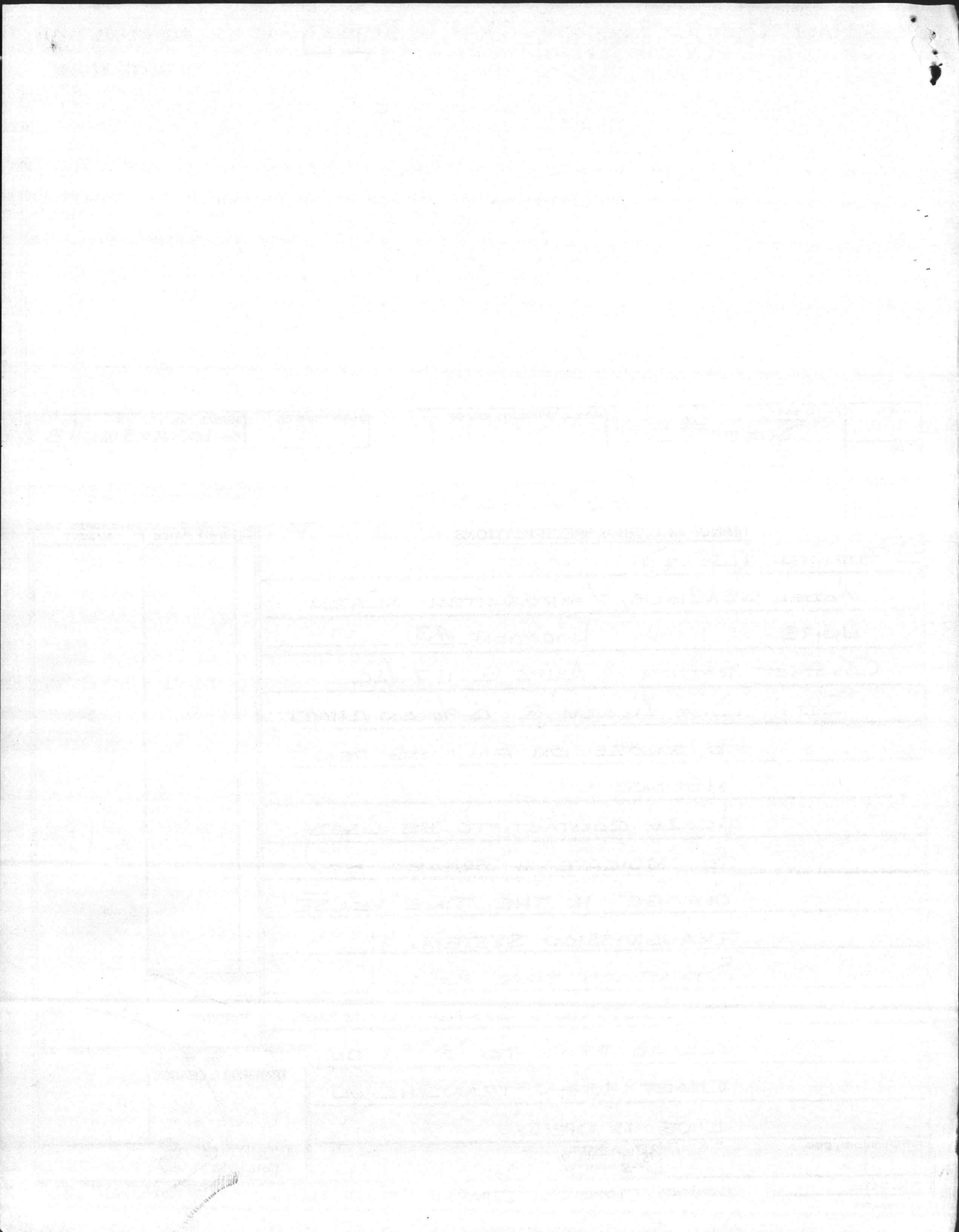
SPEC. BY G. Hoer
SERIAL NO. 6403A2316 L3
REFERENCE NUMBER
Government Inspect.
Require

EX. DISTRICT	AREA	CE	DISTRICT	AREA
0 Unit	64	2	Mich	32

SHIP TO Brown Construction Co. P. O. Box 25044 Charlotte 6, N.C.				DIST.	MAN.	PROD.	AMOUNT	PROD.	AMOUNT	PROD.	AMOUNT
CUSTOMER ORDER NUMBER				REQUESTED ROUTING							

CALIB.	TAG & MARK SHEET # 5 of 6	SCHED. SHIPMENT WK. OF	DATE SHIPPED	SERIAL NO. 6403A2316 L3
ITEM			SHIPPED VIA	B/L
QUANTITY 1	SIZE	MODEL NUMBER 1102 MFO4NS	DATE INVOICED	INVOICE NO.
<u>MANUFACTURING SPECIFICATIONS</u>				
D) FURNISH TWO (2)				
MODEL 55AC1000 MICROSWITCH ALARM				
UNITS LOCATION A3				
CONTACT RATING 2 AMPS @ 117 VAC				
SET: ONE ALARM @ "2" % ON CHART				
TO CLOSE ON FALLING PEN				
MOTION.				
ALARM CONTACT TO BE USED				
TO INDICATE A "BREAK" OR				
"OUTAGE" IN THE TIME PULSE				
TRANSMISSION SYSTEM.				
STANDARD TIME PULSE				
TRANSMISSION SYSTEM CAUSES				
PEN TO DRIVE TO "2" % ON				
CHART WHEN TRANSMISSION				
LINE IS OPEN.				
OTHER SN	DIM. DWG.	QTY 5	INSTR. BULL W/ SHIP'T.	PRODUCT V- PRODUCT V-
SPEC. DATE	SHIPMENT: <input type="checkbox"/> COMPLETE <input type="checkbox"/> PARTIAL <input type="checkbox"/> FINAL PARTIAL			TERMS: NET 30 DAYS

SUB-TOTAL	
TRANSPORT. CHARGE	
AMOUNT OF INVOICE	\$



WARRMINSTER, PENNSYLVANIA, U. S. A.

CUS. NO. 201404	COUNTY STATE 119 32	ZIP 934	DATE ENTERED 1 Apr. 64	675100	SHIP WEEK OF
CUSTOMER ORDER NUMBER 15-11		REGISTRATION/JOB NUMBER		DATE RECEIVED	
SHIP TO PANEL DEPT 43 P			NAME		
FACIL. SHIPPING POINT			DATE RECEIVED		

SPEC BY
O. Hoer

6403 A 2916 J

Government Inspector.
Requies

DISTRICT AREA C.R. DISTRICT
2 Contt 64 2 Wash 32

Brown Construction Co.
P.O. Box 25644
Charlotte 6, N.C.

DIST.	AMAL	REQ'D	AMOUNT	PROD.	AMOUNT	PROD.	AMOUNT

CUSTOMER ORDER NUMBER

REQUESTED ROUTING

CALIB.	TAG & MARK SHEET # 6096	SCHED. SHIPMENT WK. OF	DATE SHIPPED	SERIAL NO. 6403A2916J3
ITEM			SHIPPED VIA	B/L

QUANTITY 1	SIZE	MODEL NUMBER 1102MFO4NS
---------------	------	----------------------------

DATE INVOICED	INVOICE NO.
---------------	-------------

MANUFACTURING SPECIFICATIONS

SET: ONE ALARM @ 100% ON CHART TO CLOSE ON RISING PEN MOTION. ALARM CONTACT TO BE USED TO INDICATE A "SHORTED" CIRCUIT IN THE TIME PULSE SYSTEM. STANDARD TIME PULSE TRANSMISSION SYSTEM CAUSES PEN TO DRIVE TO 100% ON CHART WHEN TRANSMISSION LINE IS "SHORTED".

PR. CD.	UNIT PRICE	AMOUNT
---------	------------	--------

E.1 FOR USE WITH:
MODEL 1103PS49 SERIAL No. 6403A2916J2

ROUTE ABOVE INSTRUMENT TO PANEL DEPT 43P BY 7 SEPT 64 MOUNT

PRODUCT
V-
PRODUCT
V-

ON CONTROL PANEL SPECIFIED ON

SERIAL No 6403A2916J1

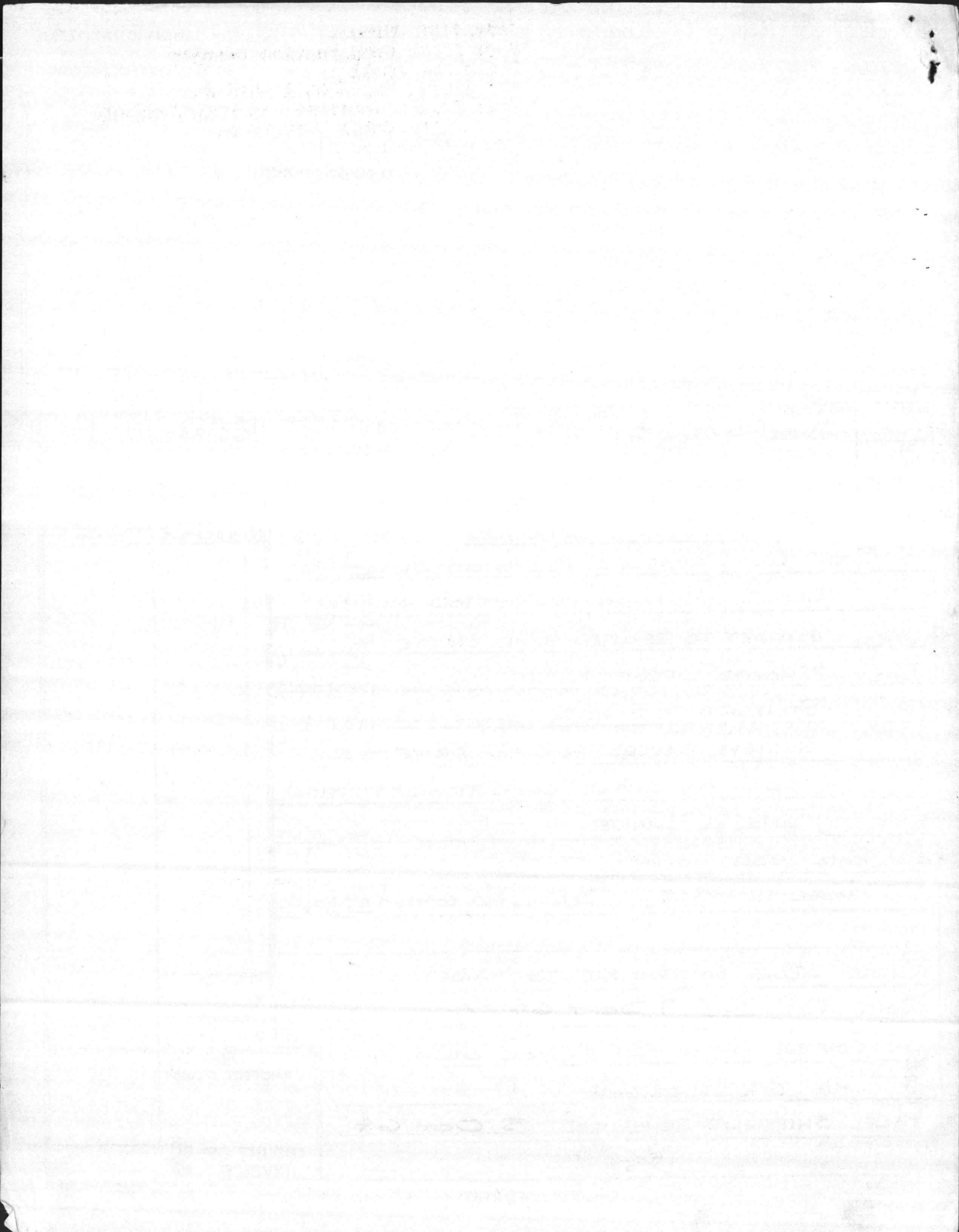
SUB-TOTAL	
TRANSPORT. CHARGE	

PANEL SHIPMENT SCHEDULED 5 OCT 64

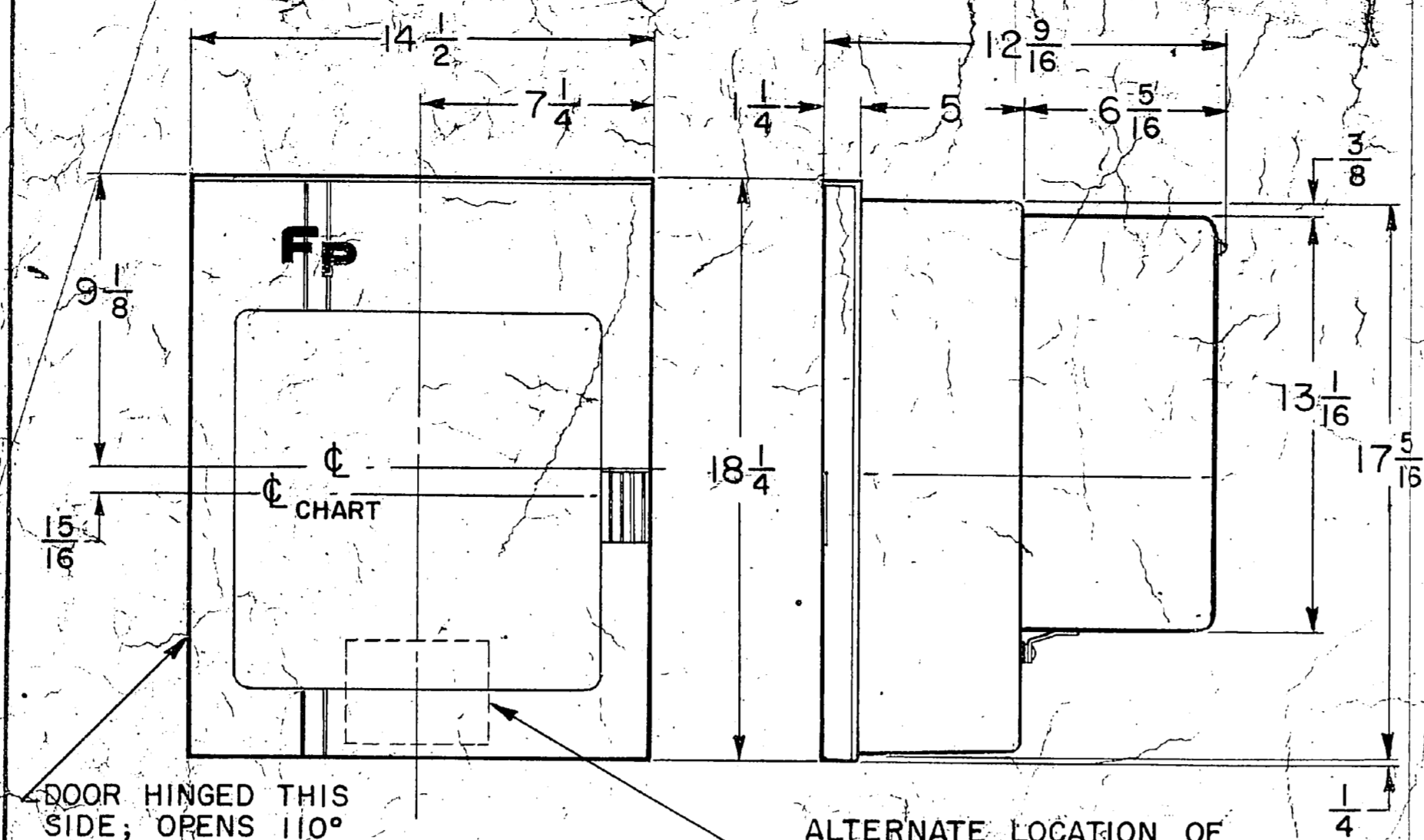
AMOUNT OF INVOICE \$

OTHER SN DIM. DWG.

QTY 5/5 INSTR. BULL. W/ SHIP'T.

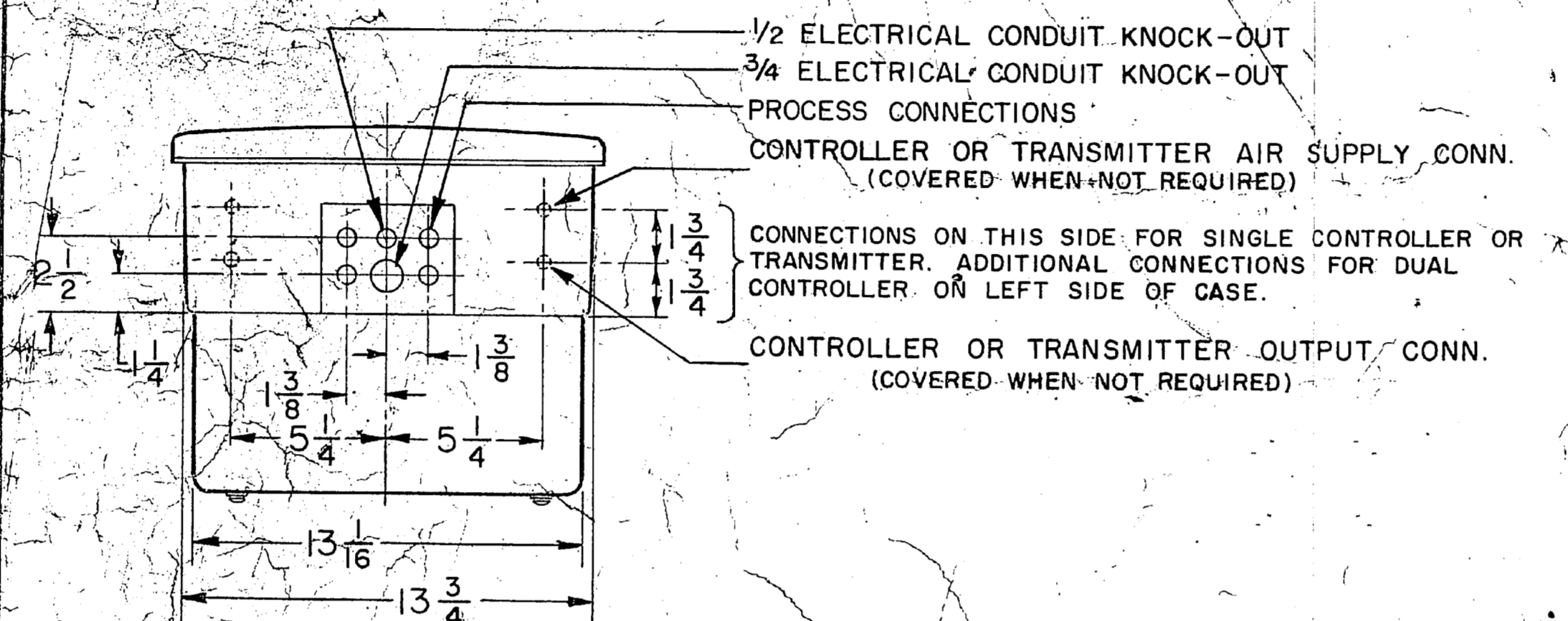


INSTRUMENT CASE DIMENSIONS



DOOR HINGED THIS SIDE, OPENS 110°

ALTERNATE LOCATION OF CONNECTION PLATE.



1/2 ELECTRICAL CONDUIT KNOCK-OUT
3/4 ELECTRICAL CONDUIT KNOCK-OUT
PROCESS CONNECTIONS
CONTROLLER OR TRANSMITTER AIR SUPPLY CONN. (COVERED WHEN NOT REQUIRED)

CONNECTIONS ON THIS SIDE FOR SINGLE CONTROLLER OR TRANSMITTER. ADDITIONAL CONNECTIONS FOR DUAL CONTROLLER ON LEFT SIDE OF CASE.

CONTROLLER OR TRANSMITTER OUTPUT CONN. (COVERED WHEN NOT REQUIRED)

GENERAL NOTES

1. ALL DIMENSIONS IN INCHES, UNLESS OTHERWISE SPECIFIED.
2. DIMENSIONS - GUARANTEED ONLY IF THIS PRINT IS CERTIFIED.
3. UNLESS OTHERWISE SPECIFIED CONNECTIONS WILL BE MADE THRU THE BOTTOM PLATE. THE PLATE IS EASILY CHANGED IN THE FIELD FROM THE BOTTOM POSITION TO THE BACK, OR ROTATED 180° FOR OTHER CONDUIT SIZE.
4. ALL PRESSURE, PROCESS AND AIR CONNECTIONS ARE 1/4" N.P.T.I.
5. PROCESS CONNECTIONS ARE COLOR CODED TO MATCH PEN COLORS.

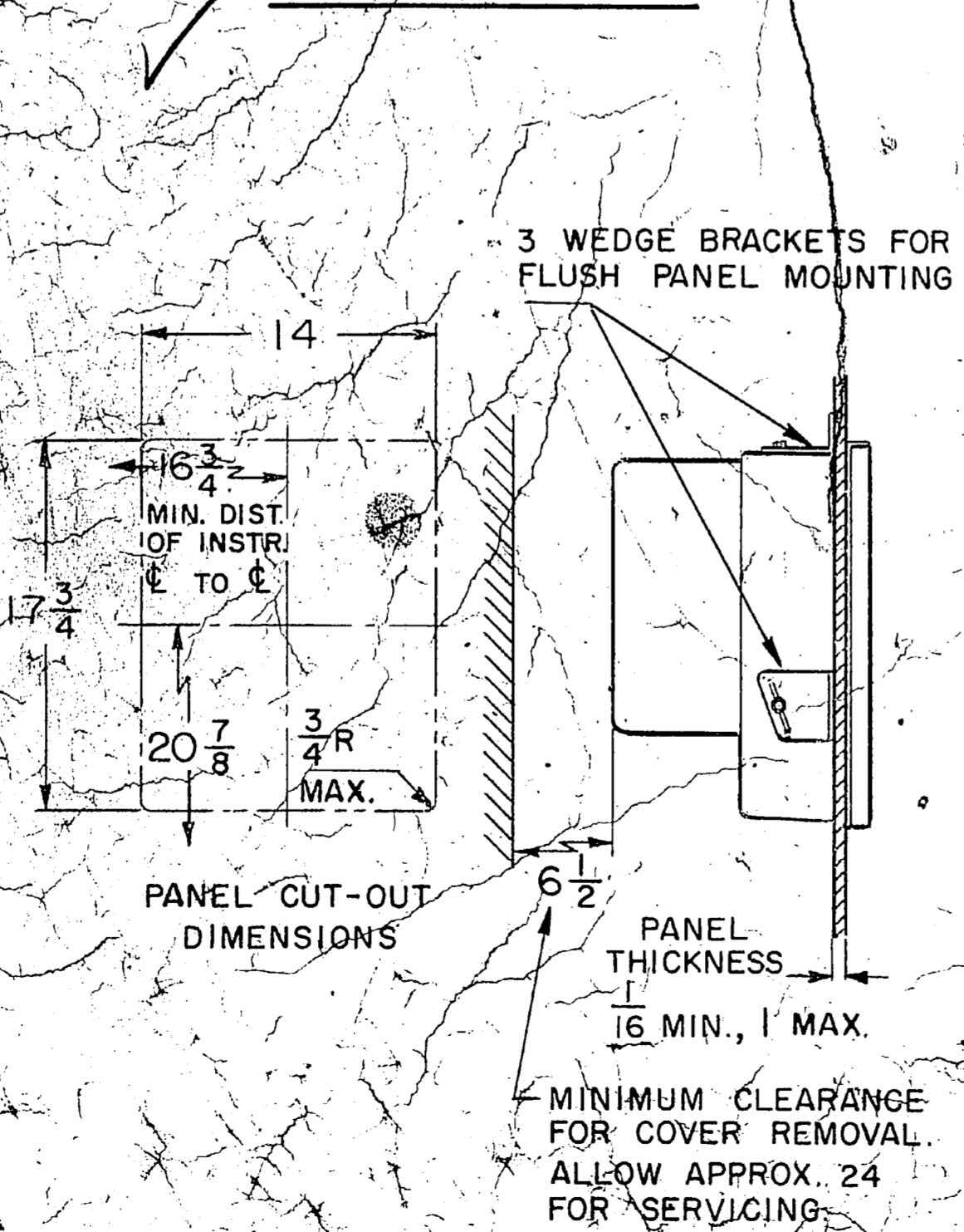
DIMENSIONS CERTIFIED

FOR _____
CUSTOMER ORDER NO. _____
F & P SERIAL NO. _____
ITEM/TAG NO. _____
CERTIFIED BY _____ DATE _____

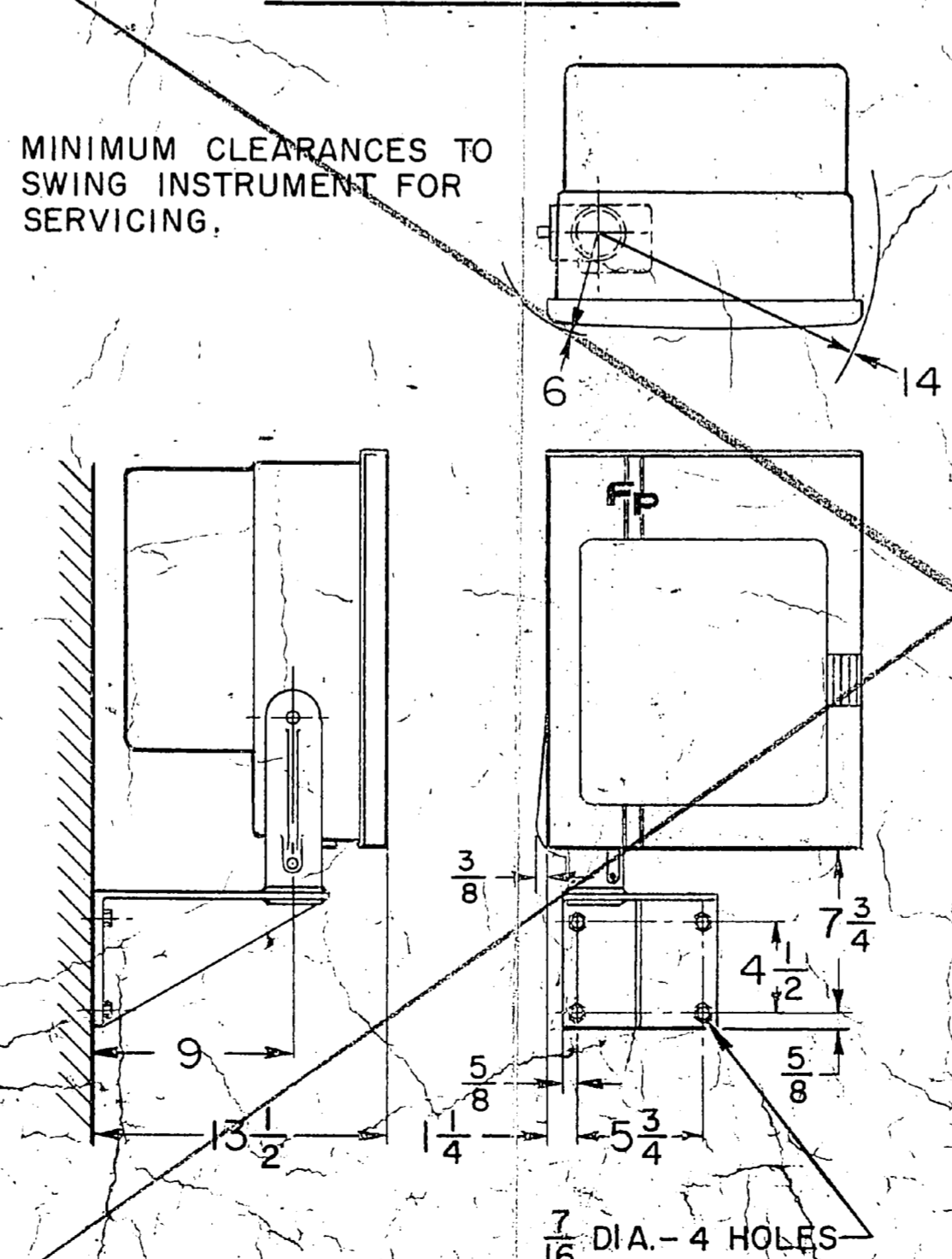
OD - 51 - 1062

Certified Correct
For: Brown Construction Company
Order No. 15-11
F&P Serial No. 6403 A 2916 J3
Tag: 22.2.2 Receiver and Pump Control - Elev. Water Tank Level
Date: 14 August 1964
By: *[Signature]*

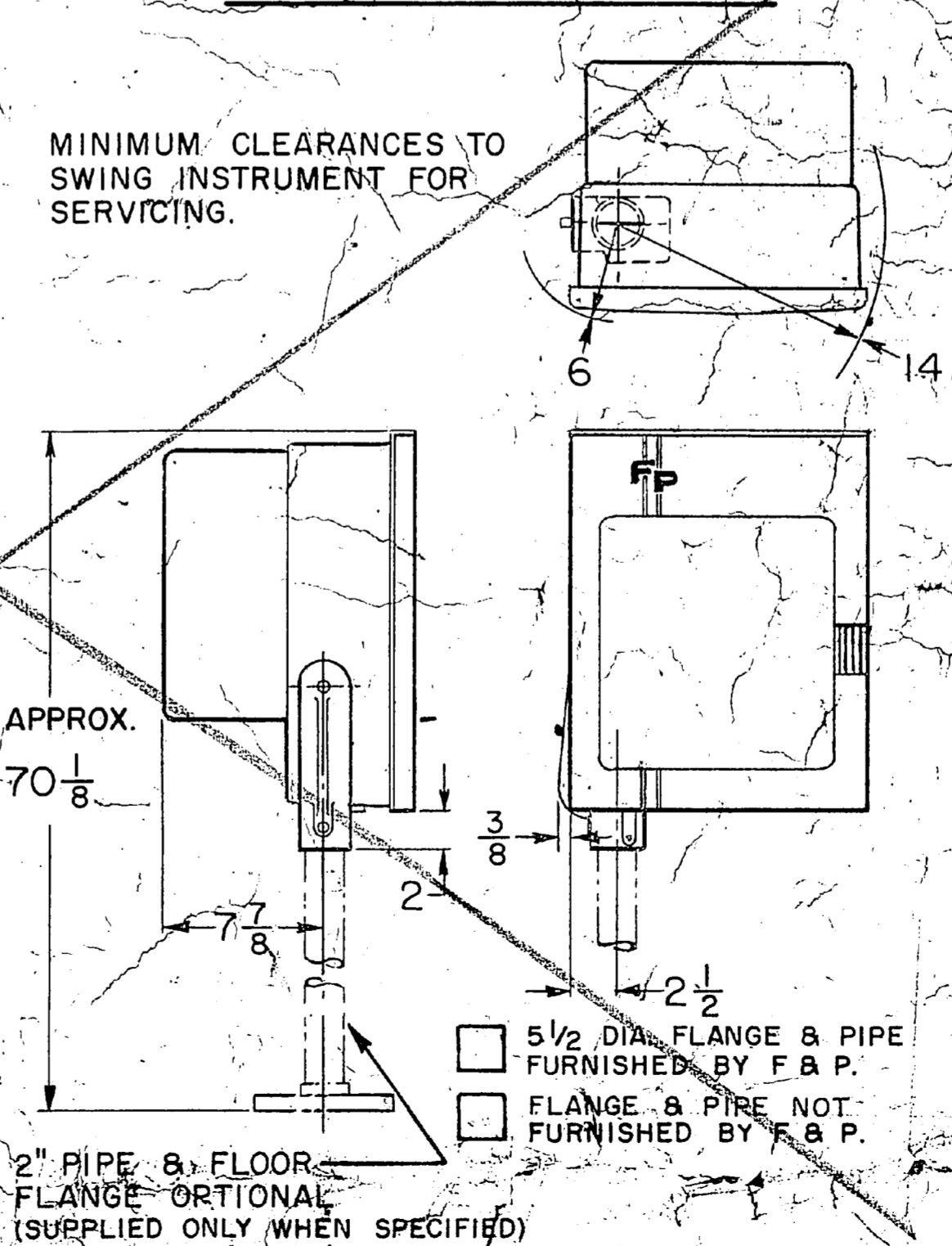
PANEL MOUNTING



WALL MOUNTING



PIPE STAND MOUNTING



NO.	DESCRIPTION	DATE	BY	CHECKED	APPROV.
4	REVISIONS				
3	2 1/2 DIA. FLOOR FLANGE & PIPE OPTION REMOVED				
2	FLOOR FLANGE WAS 1 1/2 DIA.				
1					
0					

OUTLINE DIMENSIONS
DOUBLE DEPTH
INSTRUMENT CASE
SERIES 1100



FISCHER & PORTER CO.
HATBORO, PA., U.S.A.

OD - 51 - 1062

REV. 3

