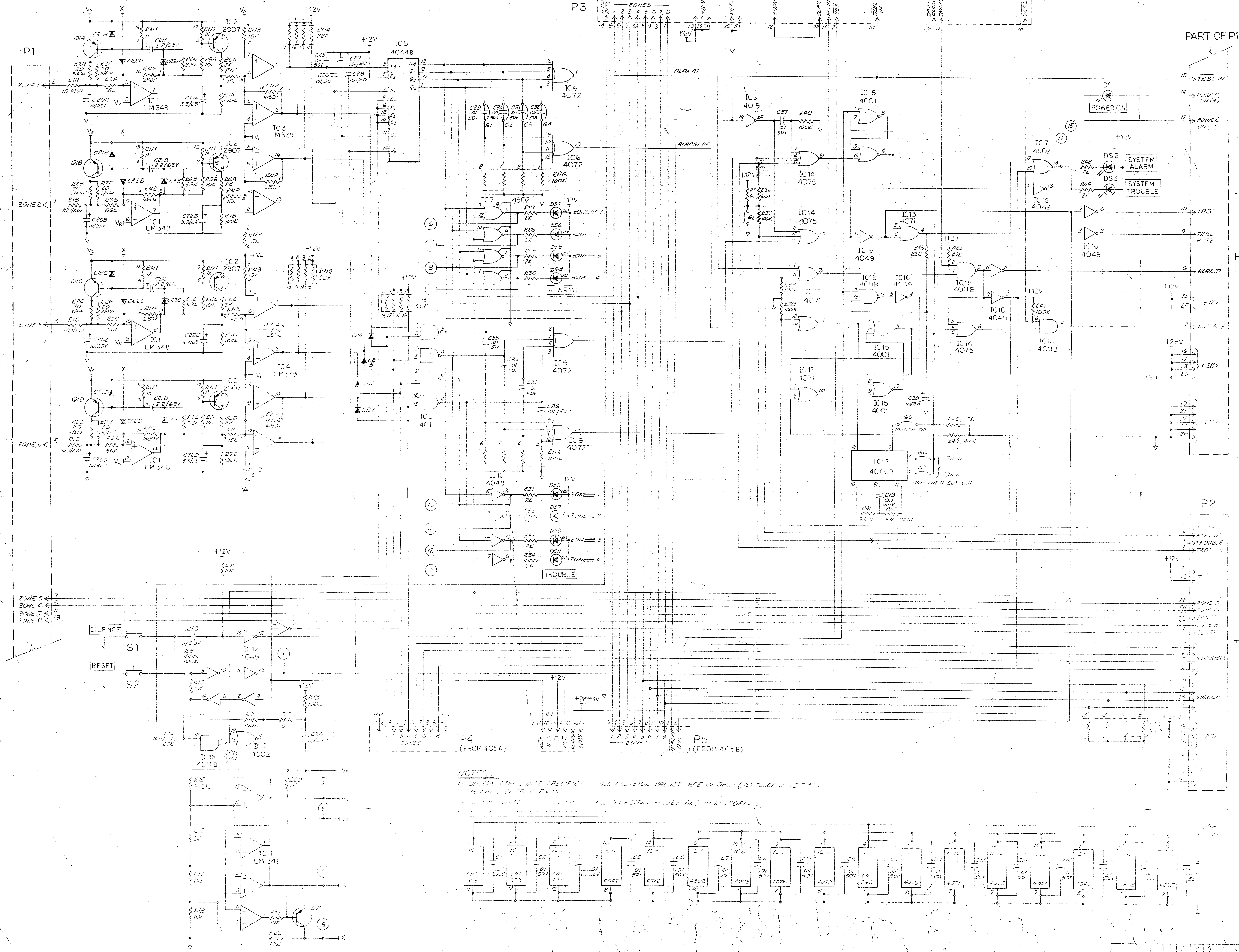


449280-005

RC-400 W/ISSN 287651 TO ALARM VERIFICATION MODULE

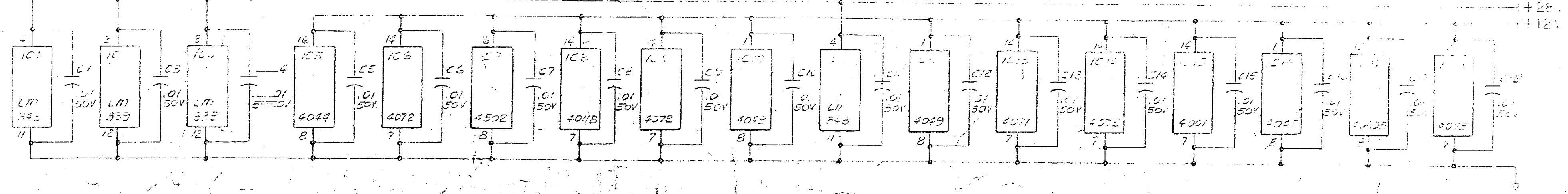
REVISIONS			
REV. NO.	DESCRIPTION	BY DATE	APP. DATE
0	RELEASED TO MANUFACTURING PER 88055	W/ISSN	11/11/88
1	ENG WAS 500K, DIS WAS 12K, EIT WAS 9.1K, EIB WAS 15K, ECR 88081	W/ISSN	11/11/88
2	REVISED SHEET INDEX ECR 88016	W/ISSN	11/11/88
3	REVISED SHEET INDEX (SHEET 2 of 2) PER ECR 88033	W/ISSN	11/11/88
4	REVISED SHEET 2 OF 2 PER ECR NO. 88034	W/ISSN	11/11/88



FROM I/O P.C.B.

TO EXTENDER P.C.B. ZNE-404/S

NOTES:
 1 - UNLESS OTHERWISE SPECIFIED, ALL RESISTOR VALUES ARE IN OHMS (Ω) UNLESS OTHERWISE NOTED.
 2 - UNLESS OTHERWISE SPECIFIED, ALL CAPACITOR VALUES ARE IN MICROFARADS (μF).
 3 - UNLESS OTHERWISE SPECIFIED, ALL IC PART NUMBERS ARE IN PARALLELS.



Pyrotech Design: New Jersey

SCHEM 0P-400

449280-005

SCALE: 1/8" = 1"

DATE: 11/11/88

BY: W/ISSN

CHKD: W/ISSN

APP'D: W/ISSN

REV. NO. 4

SHEET 1 OF 1

CP400

