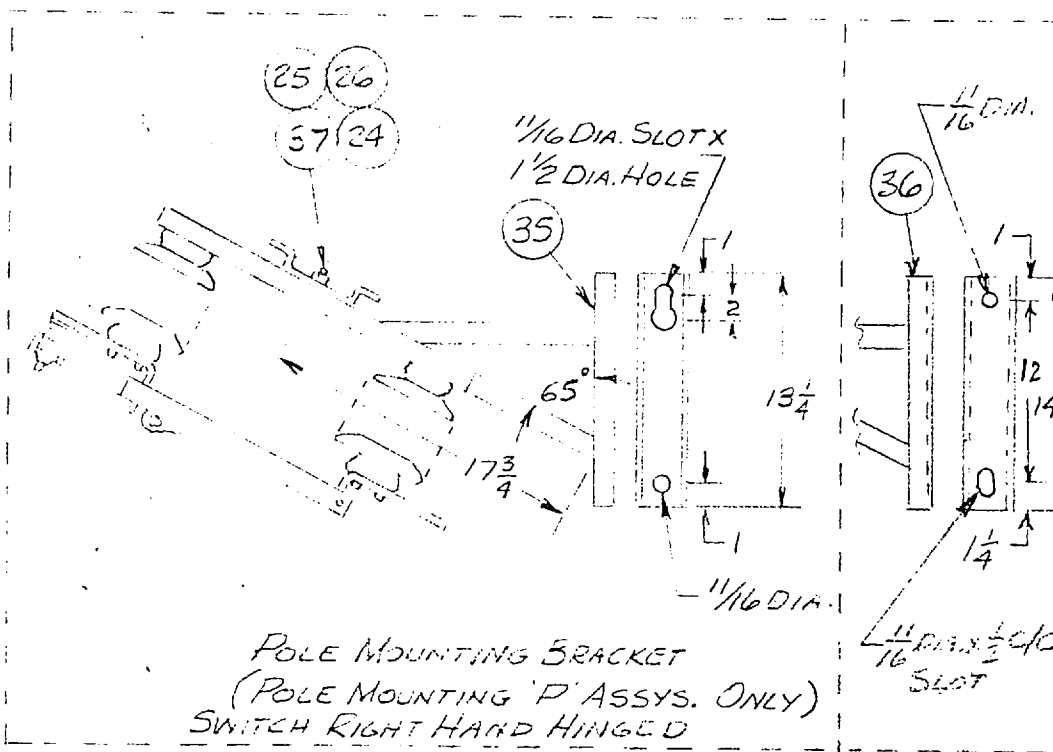
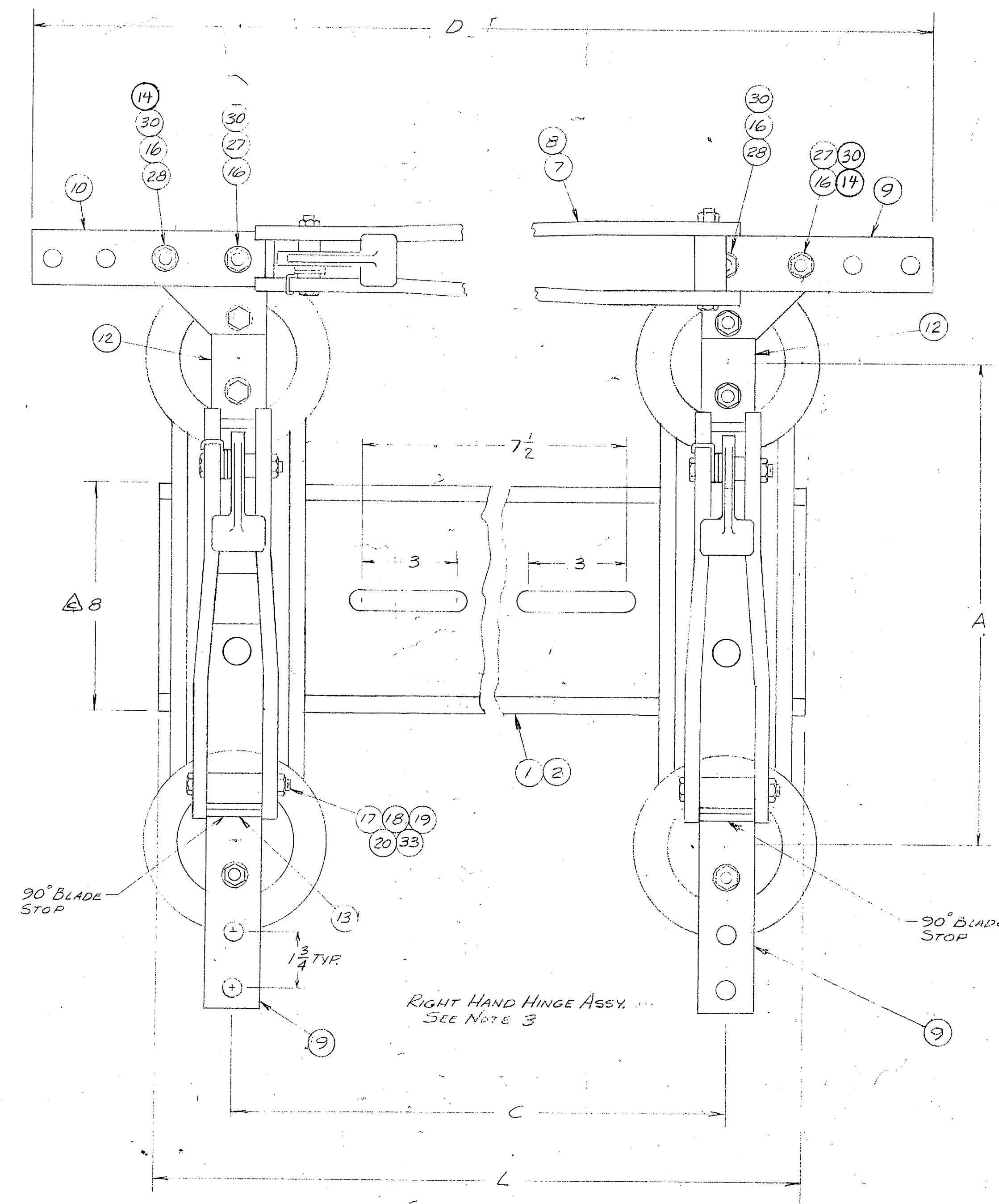
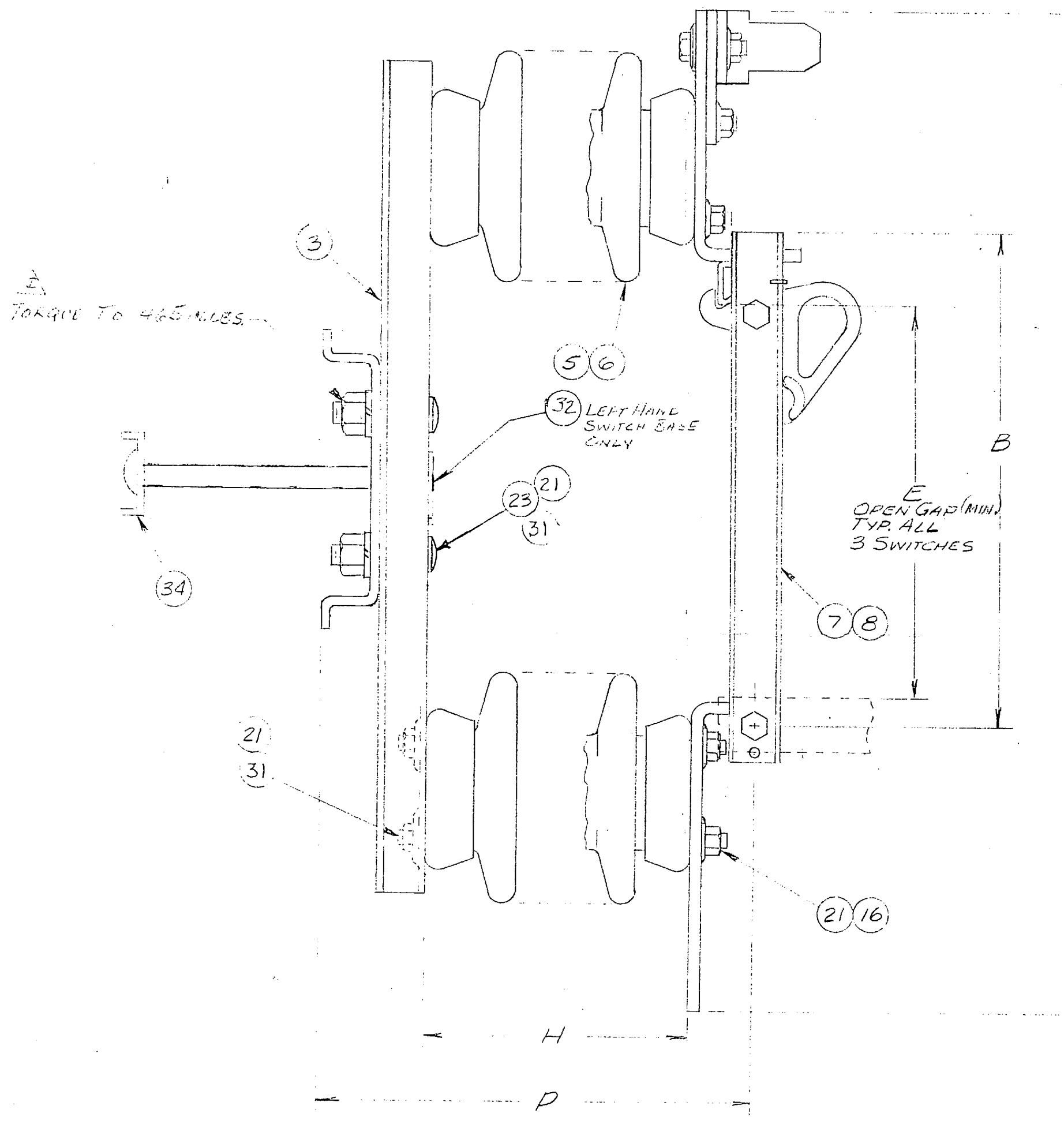


DATE	SYM.	REVISION	ER NO.	BY	APP.	DATE	SYM.	REVISION	ER NO.	BY	APP.
7-24-85	D	ADD ITEMS 22, 23, 34, ITEM 14 WAS 2, ADD NOTE 4	473	MLB	MLB	4-28-84	A	REMOVE ITEMS 22, 23, ADD ITEM 12, SET ITEM 16 WAS 10	473	MLB	MLB
4-15-86	E	ADD ASSY, 127730P-BL	473	MLB	MLB	5-8-84	B	ITEM 1 WAS 262347, ITEM 10 WAS 262349	473	MLB	MLB
5-22-86	F	RTY, ITEM 16 WAS 214, SHOW ITEM 16 POSITION ONLY UNDER BLADE	473	MLB	MLB	8-31-84	C	SWAS 7, ITEM 15 WAS 262349, ITEM 4 WAS 262347-1	473	MLB	MLB
3-5-87	H	ADD ITEM 12, 13, 14, 15, 16, 17, 18, 19, 20, 21, 22, 23, 24, 25, 26, 27, 28, 29, 30, 31, 32, 33, 34	473	MLB	MLB	11-10-86	G	ADD ITEM 35	473	MLB	MLB
4-9-87	I	ADD 463 INCS. TORQUE TO 25 IN. LBS.	473	MLB	MLB	7-30-87	J	MOVE NAMEPLATE, ITEM #1132 TO LEFT HAND SWITCH BASE	473	MLB	MLB
12-87	K	REMOVE ITEM 12, 13, 14, 15, 16, 17, 18, 19, 20, 21, 22, 23, 24, 25, 26, 27, 28, 29, 30, 31, 32, 33, 34	473	MLB	MLB	2-27-88	L	REMOVE ITEM 31, ITEM 24 WAS 125611	473	MLB	MLB
						12/1/87	M	REMOVE ITEM 12, 13, 14, 15, 16, 17, 18, 19, 20, 21, 22, 23, 24, 25, 26, 27, 28, 29, 30, 31, 32, 33, 34	473	MLB	MLB
						2/1/90	P	ADD CONTACT POINTS, ITEM # 30, 39 FOR ALARMING PURPOSES	473	MLB	MLB
11-20-78	R	ITEM # 23 WAS 700201137225	473	MLB	MLB	8/30/80	Q	UPDATE BOM	473	MLB	MLB



- NOTES -
1. APPLY CONTACT LUBRICANT ON FRONT HINGE CONTACT SURFACES.
 2. FOR ASSY. & ALIGNMENT INSTRUCTIONS SEE TS-1233.
 3. LEFT HAND HINGE ASSYS. (CAT NOS. 127730L/127731L) HAVE THE CROSS BLADE AND ASSOCIATED PARTS MOUNTED IN THE OPPOSITE POSITIONS TO THOSE SHOWN.
 4. PLACE ITEM 22 AND REACH OF ITEMS 37, 24, 25 & 26 IN PLASTIC BAG, ITEM 29, FOR SHIPMENT WITH POLE MTG. BKT. CAT. NOS. ONLY.

CATALOG NO.	KV			AMP.	MOM.	DIMENSIONS									
	MAX. DES.	B/L				B	C	D	E	H	L	P	F	A	
127730	25.8	125	600	40KA	11 7/8	12 3/4	23 1/4	9 1/8	8	17 3/4	12 1/8	24	15		
127731	25.8	150	600	40KA	14 3/8	15 3/4	26 1/4	12 1/8	10	20 3/4	14 1/8	27	18		
127733	15.5	110	600	40KA	11 7/8	12 3/4	23 1/4	9 1/8	7	17 3/4	11 1/8	24	15		

ITEM # 1
SECTION 16302-3
PARAGRAPH 1.4.2.A

2	2					39	262188-1	B	262188-1	LOOP HANGER HOOK
2	2					38	262345	A	262345	LOOP HANGER HOOK (ENT. CLAMP)
2	2	2	2	2		37	700201150125G			1/2-13X1 1/4 HEX. BOLT GALV. (NOTE 4)
1		1				36	262400-1	C		POLE MTG. BRACKET (ALUM. PO. CO.)
1	1	1	1	1	1	35	262400	C		POLE MOUNTING BRACKET
X	X	X	X	X	X	34	262011-5	B		HANGER ASSY.
1	1	1	1	1	1	33	132488	A		CONTACT LUBRICANT
12	12	12	12	12	12	32	125757-1	A		NAMEPLATE (SEE 128022 SHT. #17)
4	4	4	4	4	4	31	9008-01-037000B			3/8 SPLIT LOCK WSH, GALV.
1	1	1	1	1	1	30	880233116037R			3/8-16 HEX NUT DUE.
2	2	2	2	2	2	29	64707-14			PLASTIC BAG (NOTE 4)
2	2	2	2	2	2	28	70023313725R			3/8-16X1 1/4 HEX BOLT DUE.
2	2	2	2	2	2	27	700233137150R			3/8-16X1 1/2 HEX BOLT DUE.
2	2	2	2	2	2	26	900201050000G			1/2 FLAT WASHER GALV. (NOTE 4)
2	2	2	2	2	2	25	9008010500000			1/2 KL LOCK WASHER GALV. (NOTE 4)
2	2	2	2	2	2	24	880201113050G			1/2-13 HEX NUT GALV. (NOTE 4)
4	4	4	4	4	4	23	700701137225G			3/8-16X2 1/4 CARR. BOLT, GALV.
1	1	1	1	1	1	22	73-1992	A		INST. SHT. POLE MTG. BKT. (NOTE 4)
20	20	20	20	20	20	21	880201116037G			3/8-16 HEX NUT GALV.
6	6	6	6	6	6	20	62822-15			3/8 WASHER, COIN SILVER
3	3	3	3	3	3	19	881333116037R			3/8-16 ESNA LOCK NUT DUE.
6	6	6	6	6	6	18	901315037136R			3/8 LOCK WASHER, DBL. COIL 3-5.
3	3	3	3	3	3	17	700233137275R			3/8-16X2 1/4 HEX BOLT DUE.
12	12	12	12	12	12	16	63043			3/8 RAMP CONICAL WASHER
4	4	4	4	4	4	15	125610-2	C		INSULATOR ASSY. (35KV/15KV)
2	2	2	2	2	2	14	9002-33-037000R			3/8 FLAT WSH, SILICON BRONZE
2	2	2	2	2	2	13	970815250250R			1/4 DIA. X 2 1/2 LONG S.S. ROLL PIN
2	2	2	2	2	2	12	262349-5	B		FRONT CONTACT ASSY.
2	2	2	2	2	2	11	262392	A		BRACKET
1	1	1	1	1	1	10	262349	B		FRONT CONTACT ASSY.
3	3	3	3	3	3	9	262347	B		HINGE CONTACT
						8	125735	C		BLADE ASSY. 25KV
3	3	3	3	3	3	7	125734	C		BLADE ASSY. 14.4KV
						6	125624-2	C	125610-2	INSULATOR ASSY. (150KV/5KV)
						5	125611-2	C	125610-2	INSULATOR ASSY. (110KV/5KV)
						4				
2	2	2	2	2	2	3	243052	B		BASE (UNIVERSAL)
						2	262393-1	B	262393	BASE 25KV
1	1	1	1	1	1	1	262393	B		BASE 15KV

STY. 127730P-BL (REV) 127733P (REV) 127733R (REV) 127730P-BL (REV) 127731P (REV) 127730P (REV) 127730L (REV) 127731L (REV) 127730R (REV)

SUPERSEDES 287730 OF 5-4-85 LAST REVISION DATE 2-8-84

KEARNEY DIVISION - KEARNEY NATIONAL INC.
WORKS LOCATIONS: TUCKER GA. - FAYETTEVILLE ARK.

TOLERANCE UNLESS SPECIFIED: FRACTIONS DECIMALS ANGLES MATERIAL

MACHINING ±.002 CASTING ±.005 TITLE BYPASS SWITCH TYPE DORC B3

SCALE: DRAWN BY DATE APPR. NTS: HSK 4-5-89 15.5KV 25.8KV, 600A.

ASSEMBLY NO. PROJECT CAT. SEC. ER NO. DIST. CODE SIZE DRAWING NUMBER

NPR222 090 473 127730

DO NOT SCALE DRAWING

DO NOT SCALE DRAWING

DO NOT SCALE DRAWING

P. 11/27/90 (REV 37)

